



US00D790482S

(12) **United States Design Patent** (10) **Patent No.:** **US D790,482 S**  
**Lazzaro et al.** (45) **Date of Patent:** **\*\* Jun. 27, 2017**

(54) **FOOT ACTUATED CONTROLLER**  
(71) Applicant: **C2 Therapeutics, Inc.**, Redwood City, CA (US)  
(72) Inventors: **Victor Lazzaro**, Milpitas, CA (US); **Benjamin John Roth**, Campbell, CA (US); **Eugene John Vicknair**, Pleasanton, CA (US)  
(73) Assignee: **C2 Therapeutics, Inc.**, Redwood City, CA (US)

2005/0172404 A1\* 8/2005 Diller ..... A61G 13/02  
5/616  
2007/0078539 A1\* 4/2007 Kuhner ..... H01H 3/14  
700/90  
2009/0205937 A1\* 8/2009 Kuehner ..... H01H 21/26  
200/86.5  
2010/0123604 A1\* 5/2010 Shields ..... A61B 1/00016  
341/20  
2010/0241115 A1\* 9/2010 Benamou ..... A61B 18/1233  
606/33  
2011/0011708 A1\* 1/2011 Ellafrits ..... A61B 6/00  
200/86.5  
2013/0168212 A1\* 7/2013 Tseng ..... H01H 13/16  
200/86.5

(\*\*) Term: **15 Years**

(Continued)

(21) Appl. No.: **29/565,509**

*Primary Examiner* — Selina Sikder

(22) Filed: **May 20, 2016**

(74) *Attorney, Agent, or Firm* — James F. Hann; Haynes Beffel & Wolfeld LLP

(51) **LOC (10) Cl.** ..... **13-03**

(57) **CLAIM**

(52) **U.S. Cl.**  
USPC ..... **D13/167**

The ornamental design for a foot actuated controller, as shown and described.

(58) **Field of Classification Search**  
USPC ..... D13/167; D17/20, 99  
CPC ..... A61B 17/00; A61B 2017/00973; A61C 1/0023; H01H 3/14; H01H 13/14; H01H 13/16; H01H 21/26; G06F 3/0334; G05G 1/30; G05G 1/305  
See application file for complete search history.

**DESCRIPTION**

(56) **References Cited**

U.S. PATENT DOCUMENTS

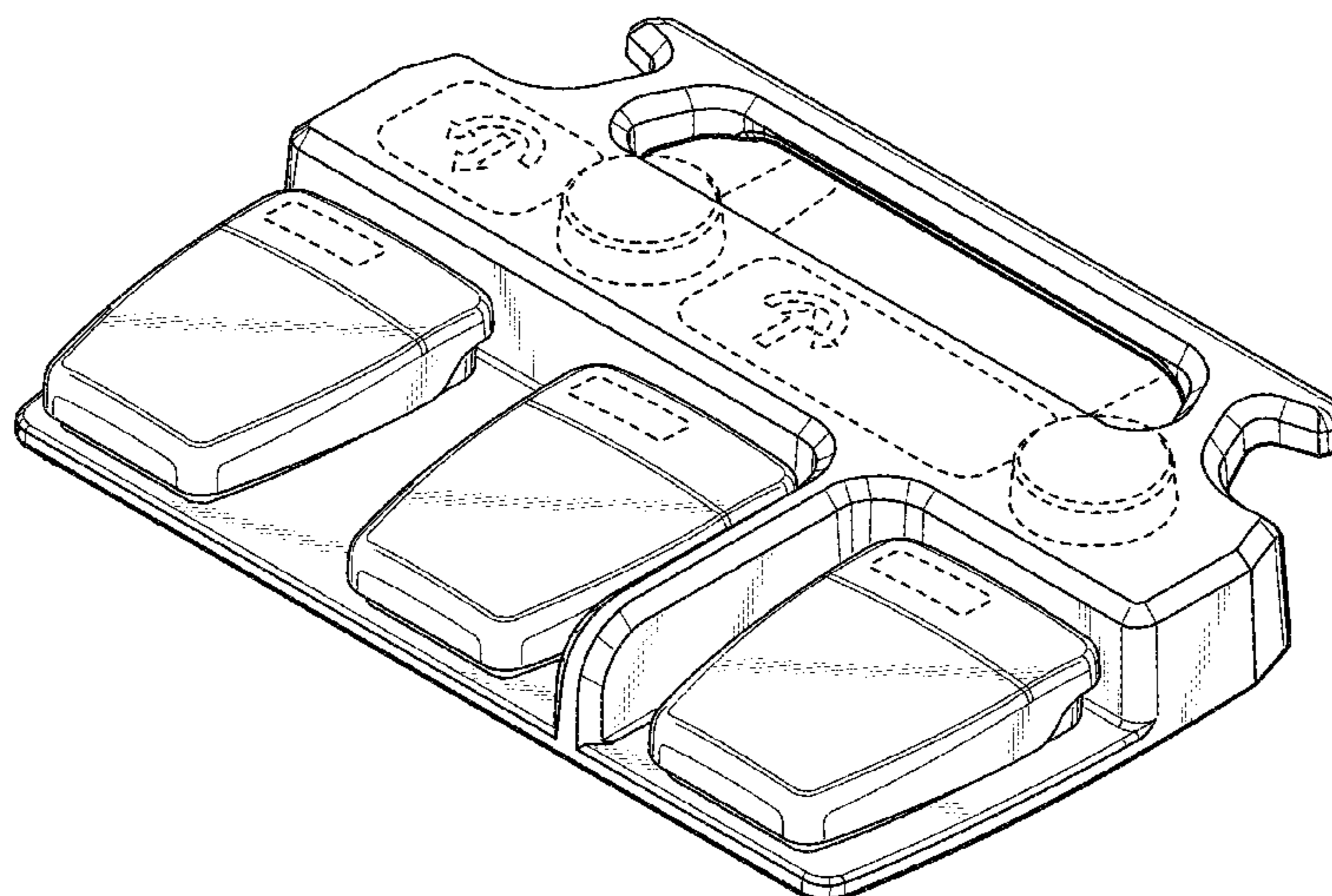
D542,233 S \* 5/2007 Ido ..... D13/167  
D542,739 S \* 5/2007 Pollard ..... D13/167  
D559,199 S \* 1/2008 Schurg ..... D13/167  
7,428,439 B1 \* 9/2008 Reynolds ..... G06F 3/0383  
318/400.18  
D665,756 S \* 8/2012 Tseng ..... D13/167  
D713,529 S \* 9/2014 Li ..... D13/167  
8,853,571 B2 \* 10/2014 Tseng ..... H01H 13/16  
200/86.5  
D766,842 S \* 9/2016 Lewis ..... D13/167

FIG. 1 is a perspective view of a foot actuated controller showing our new design;  
FIG. 2 is a top plan view thereof;  
FIG. 3 is a front elevation view thereof;  
FIG. 4 is a right side elevation view thereof;  
FIG. 5 is a left side elevation view thereof;  
FIG. 6 is a rear elevation view thereof;  
FIG. 7 is a bottom plan view thereof; and,  
FIG. 8 is a cross-sectional view taken along line 8-8 of FIG. the 2 showing surface shapes.

The broken lines are for the purpose of illustrating portions of the foot actuated controller and form no part of the claimed design.

The foot actuated controller is used to control operations of a catheter during a medical procedure.

**1 Claim, 3 Drawing Sheets**



(56)

**References Cited**

U.S. PATENT DOCUMENTS

2015/0216513 A1\* 8/2015 Hamel ..... A61B 17/32002  
340/12.5

\* cited by examiner

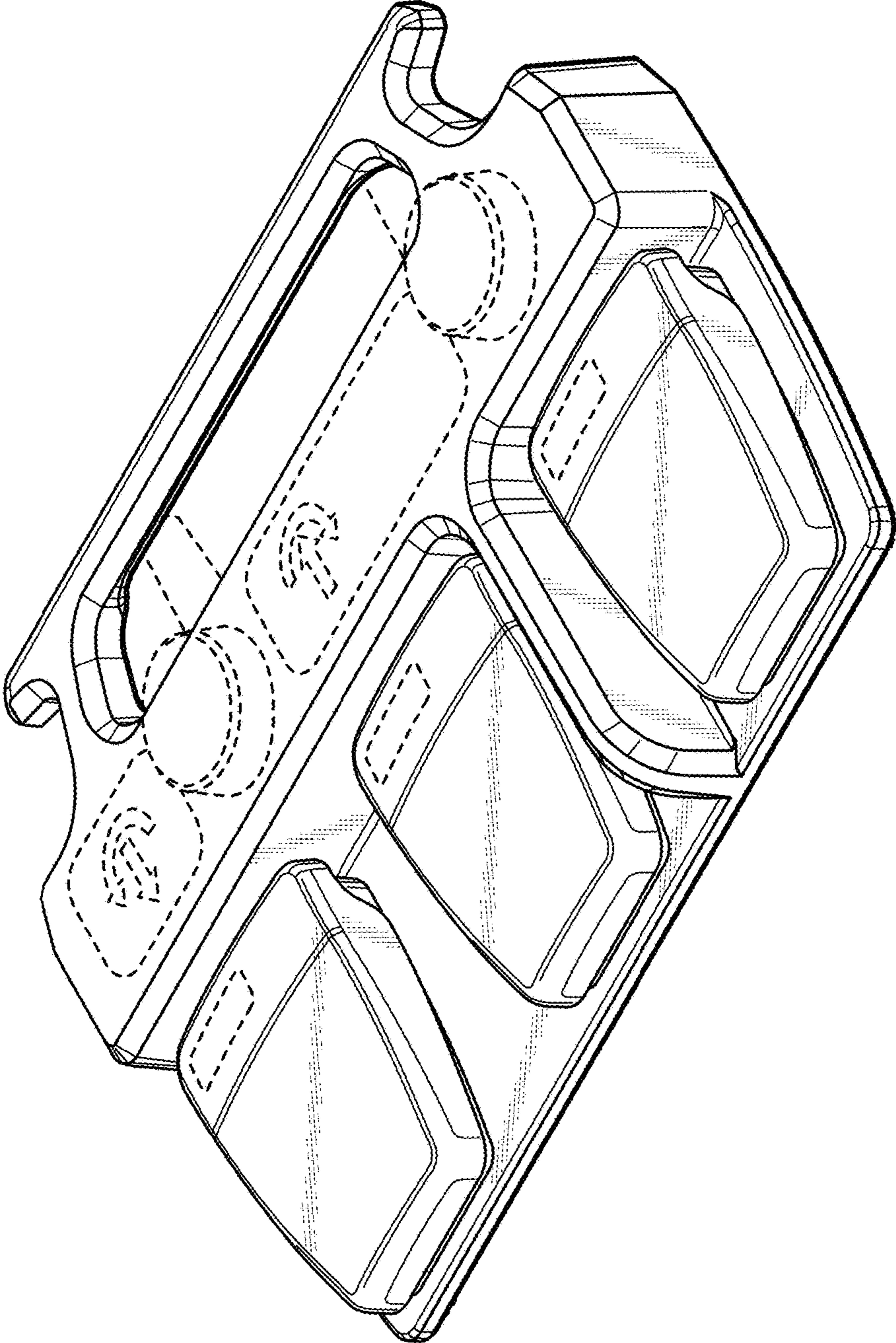
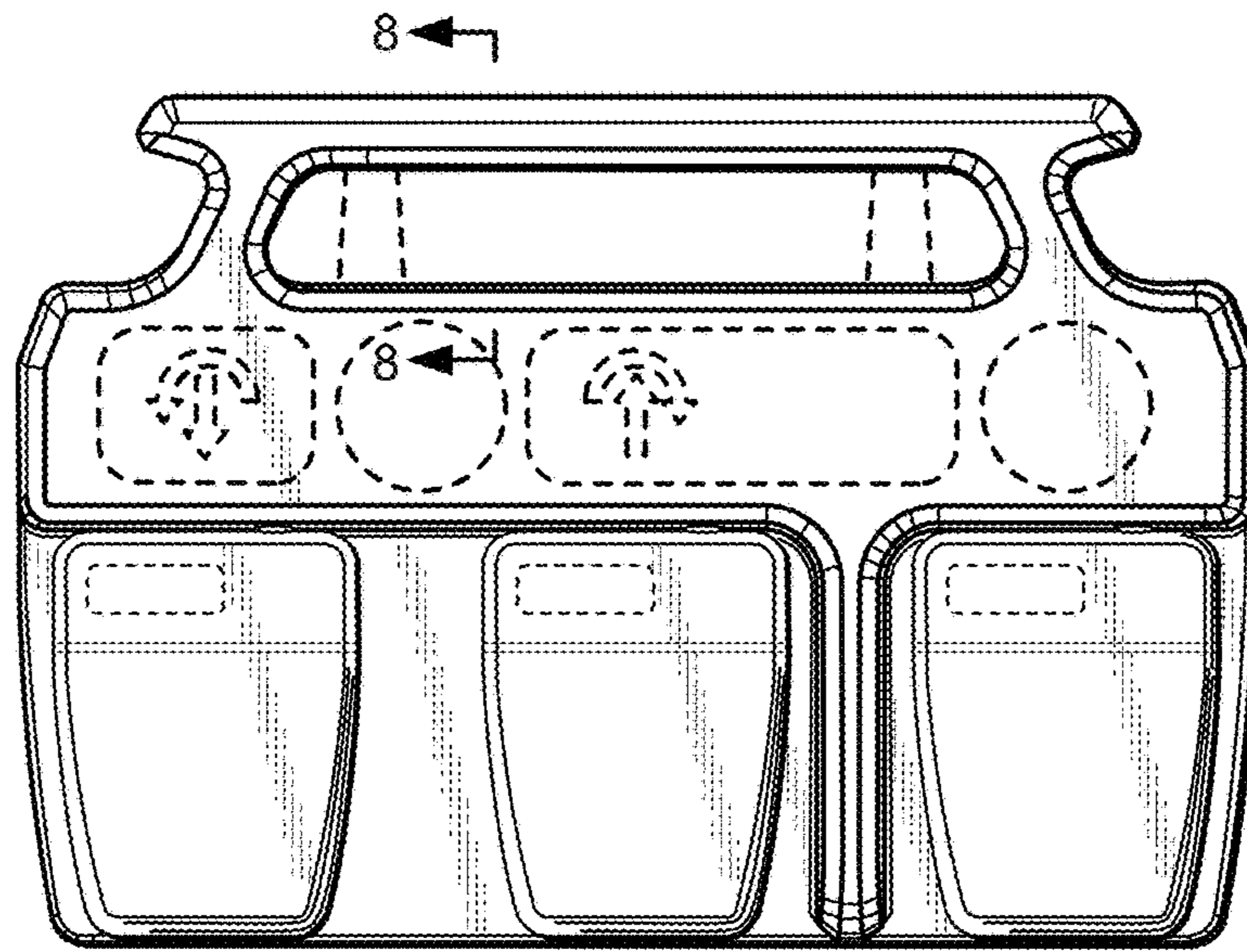
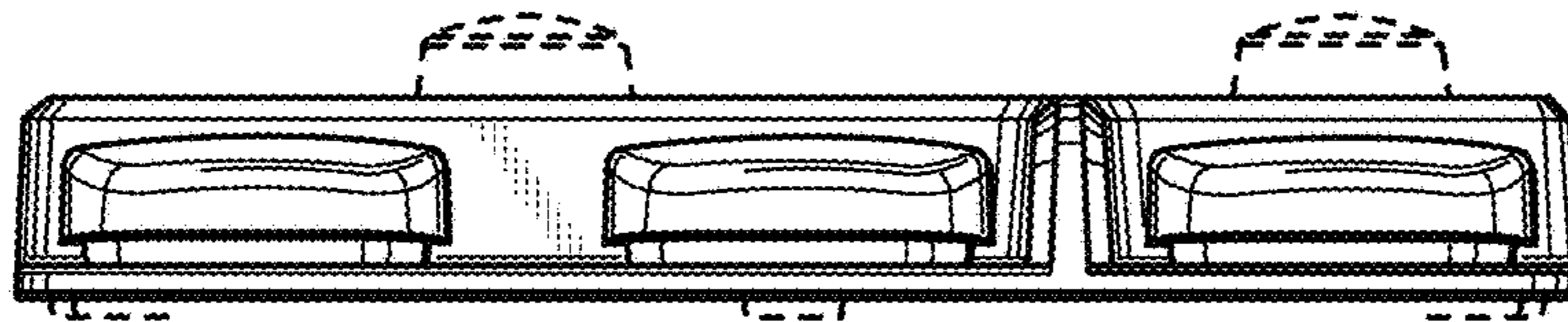


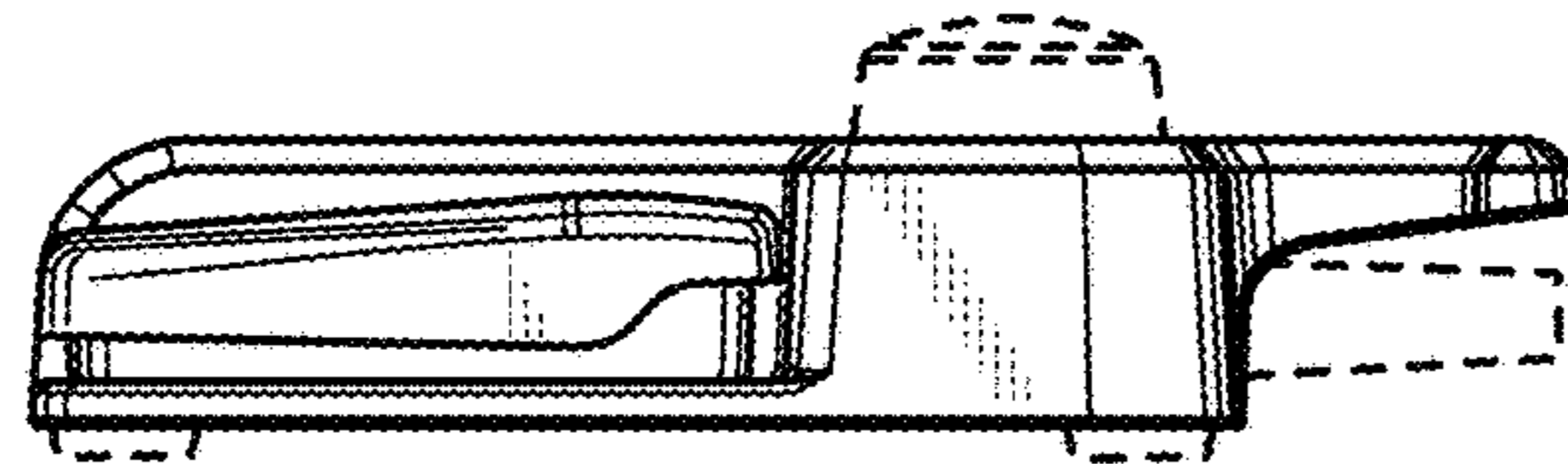
FIG. 1



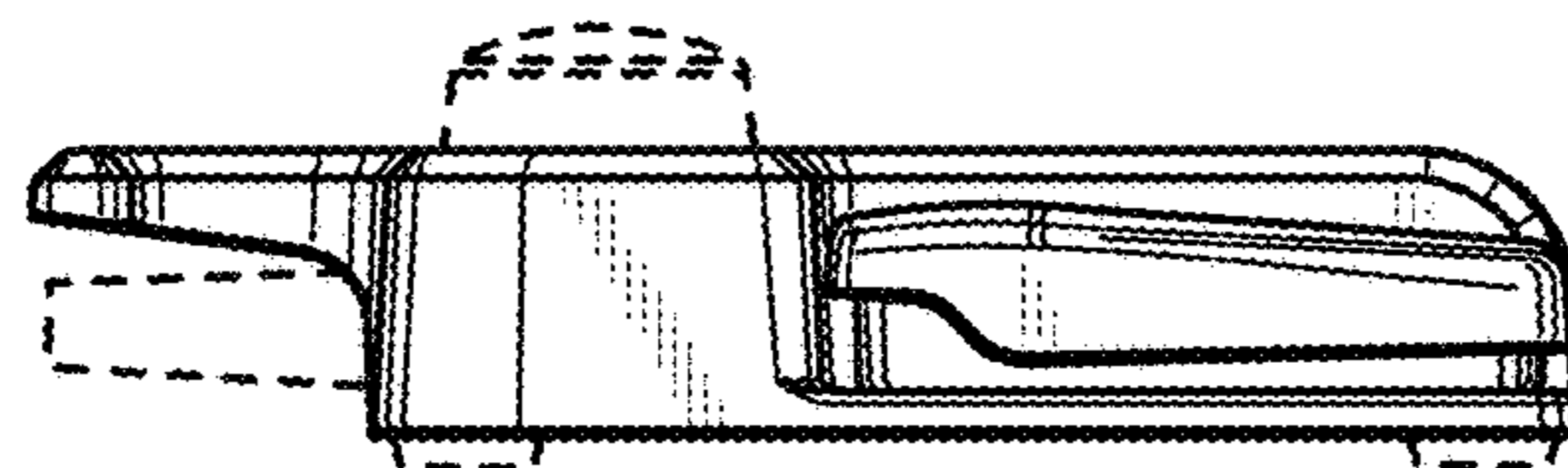
**FIG. 2**



**FIG. 3**



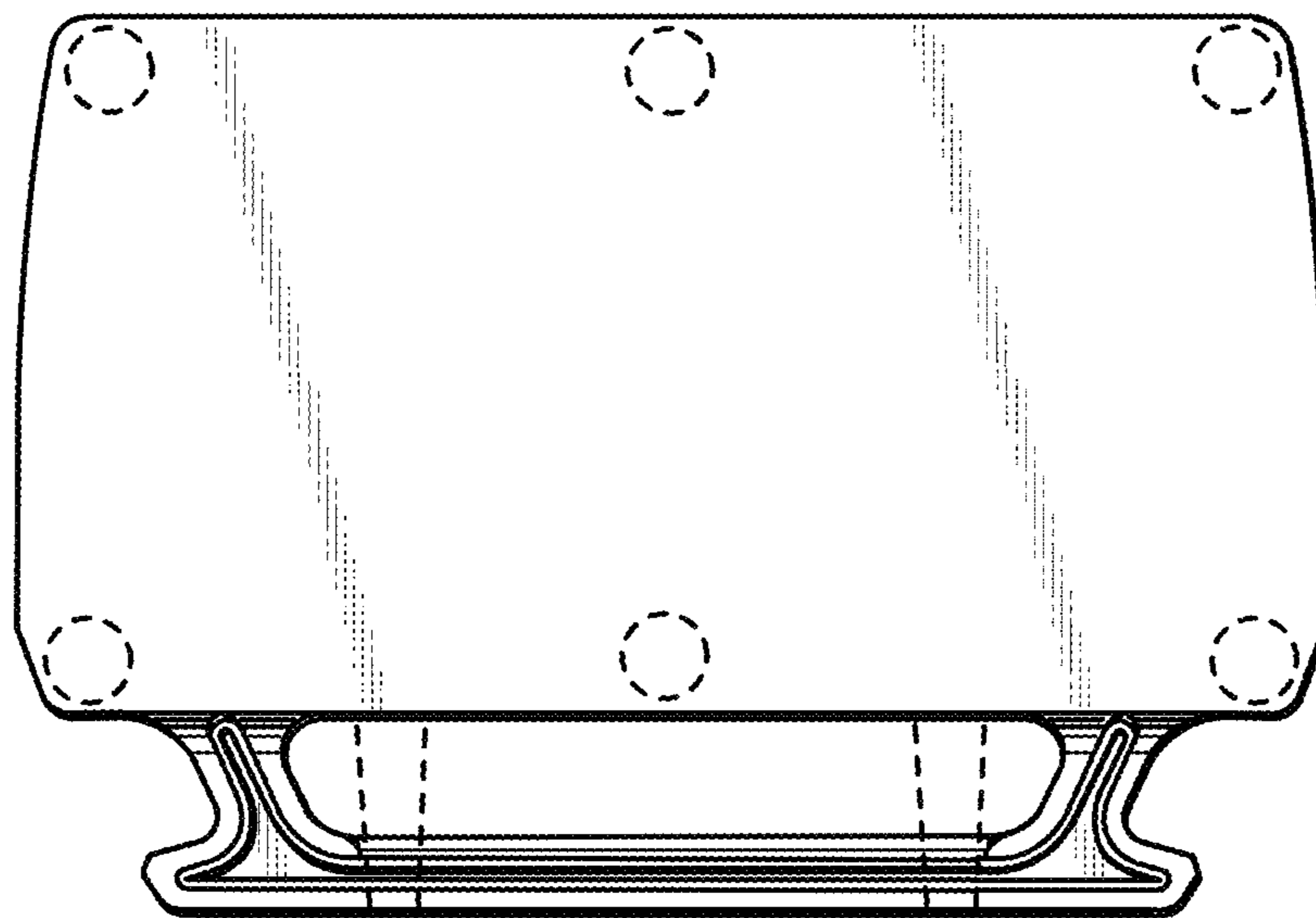
**FIG. 4**



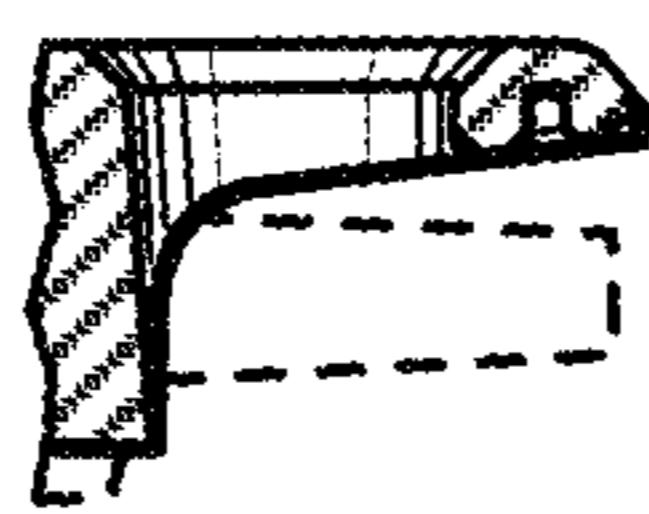
**FIG. 5**



**FIG. 6**



**FIG. 7**



**FIG. 8**