



US00D790480S

(12) **United States Design Patent**
Shimano et al.

(10) **Patent No.:** **US D790,480 S**

(45) **Date of Patent:** **** Jun. 27, 2017**

(54) **SIGNAL RELAY DEVICE**

(71) Applicant: **mitsubishi electric CORPORATION**, Tokyo (JP)

(72) Inventors: **Hiroichiro Shimano**, Tokyo (JP); **Jun Shibuya**, Tokyo (JP)

(73) Assignee: **Mitsubishi Electric Corporation**, Tokyo (JP)

(**) Term: **15 Years**

(21) Appl. No.: **29/547,921**

(22) Filed: **Dec. 9, 2015**

Related U.S. Application Data

(62) Division of application No. 29/502,624, filed on Sep. 18, 2014, now Pat. No. Des. 772,820.

(30) **Foreign Application Priority Data**

May 13, 2014 (JP) 2014-010198
May 13, 2014 (JP) 2014-010199

(51) **LOC (10) Cl.** **13-03**

(52) **U.S. Cl.**
USPC **D13/159**

(58) **Field of Classification Search**
USPC D13/110, 112, 118, 123, 146, 154,
D13/158-161, 174, 184, 199
CPC H01H 9/0044; H01H 9/00; H01H 9/02;
H01H 9/26; H01H 1/64; H01H 3/00;
H01H 33/09; H01H 1/22; H01H 1/20
See application file for complete search history.

(56) **References Cited**

U.S. PATENT DOCUMENTS

D345,137 S * 3/1994 Thomas D13/110
5,493,194 A * 2/1996 Damiano G05B 19/414
307/71

D378,914 S * 4/1997 Smith D13/160
D563,317 S * 3/2008 Higuchi D13/110
D563,318 S * 3/2008 Higuchi D13/110
D660,805 S * 5/2012 Azzola D13/160
D682,794 S * 5/2013 Biller D13/158
D703,621 S * 4/2014 Azzola D13/160
D738,360 S * 9/2015 Papson D14/240
D750,561 S * 3/2016 Ravi D13/123
D758,365 S * 6/2016 Shimano D14/358
D770,975 S * 11/2016 Nada D13/110
D772,820 S * 11/2016 Shimano D13/159

* cited by examiner

Primary Examiner — Thomas Johannes

Assistant Examiner — Shawn T Gingrich

(74) *Attorney, Agent, or Firm* — Stuebaker & Brackett PC

(57) **CLAIM**

The ornamental design for a signal relay device, as shown and described.

DESCRIPTION

FIG. 1 is a perspective view of the front, right, and top sides of a signal relay device showing our new design;
FIG. 2 is a perspective view of the rear, left, and bottom sides thereof;
FIG. 3 is a front view thereof;
FIG. 4 is a rear view thereof;
FIG. 5 is a left side view thereof;
FIG. 6 is a right side view thereof;
FIG. 7 is a top view thereof;
FIG. 8 is a bottom view thereof; and,
FIG. 9 is an exploded view thereof shown in a state of use. The broken lines shown represent unclaimed subject matter of signal relay device and form no part of the claimed design.

1 Claim, 9 Drawing Sheets

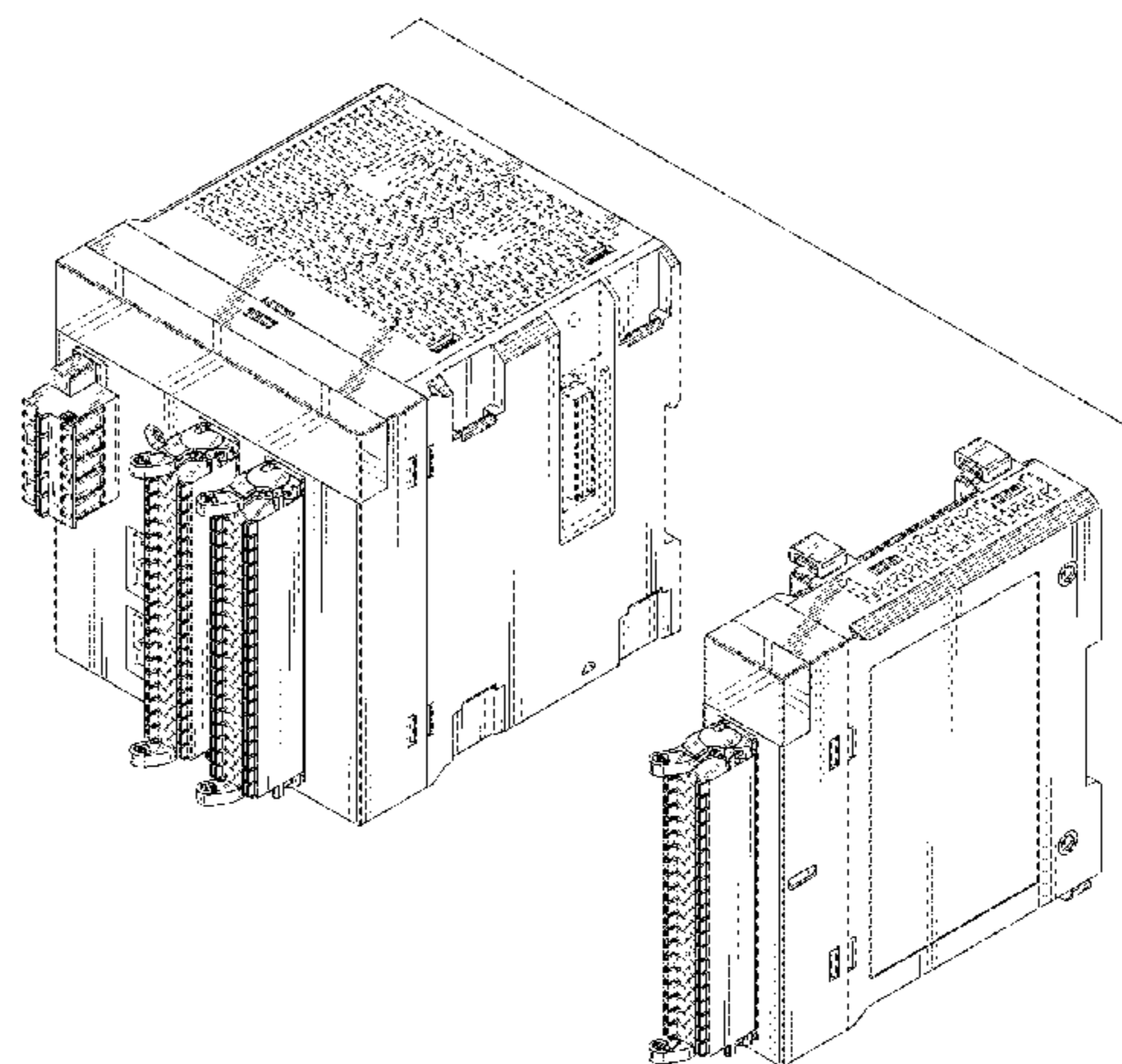
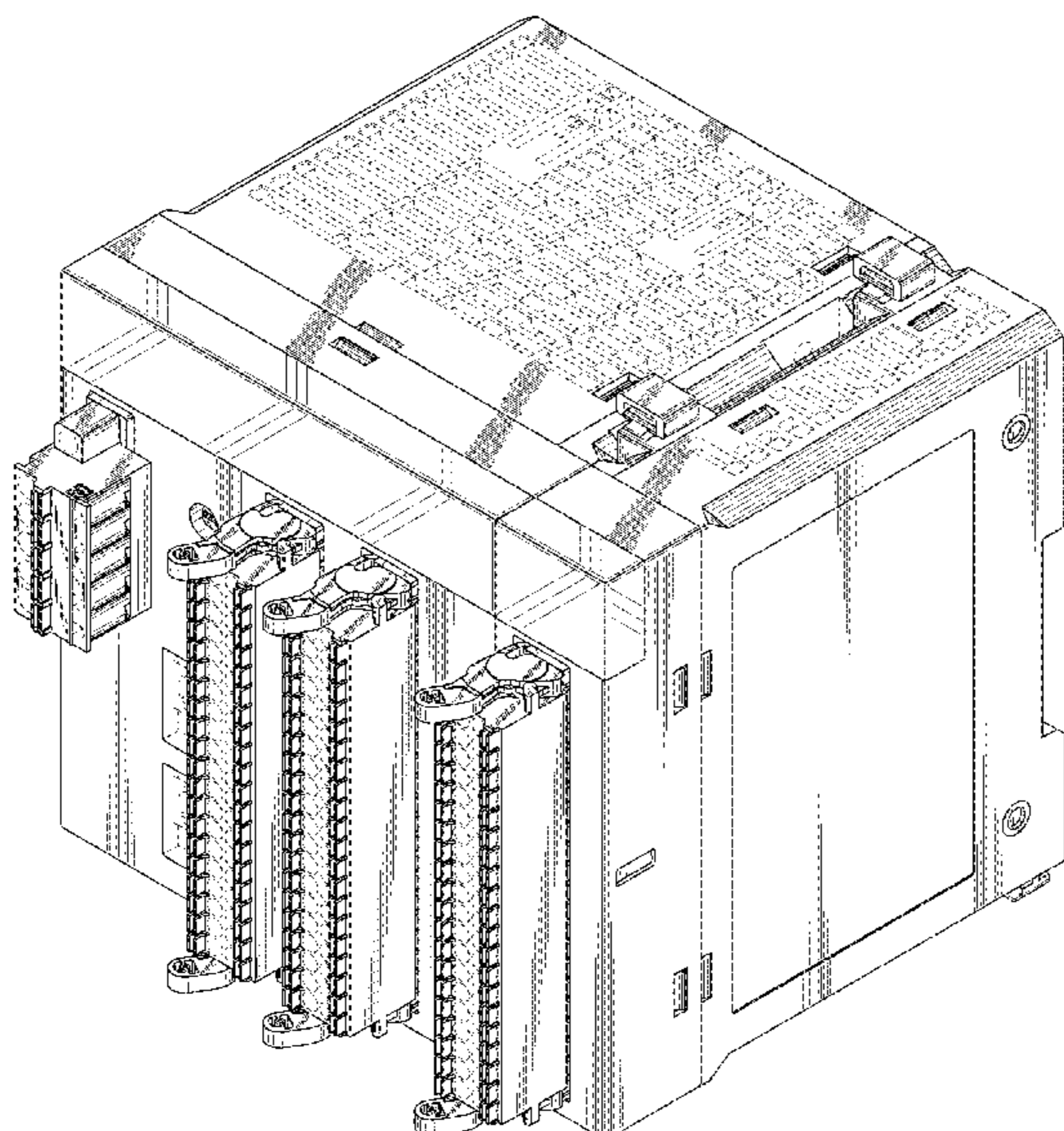


FIG. 1

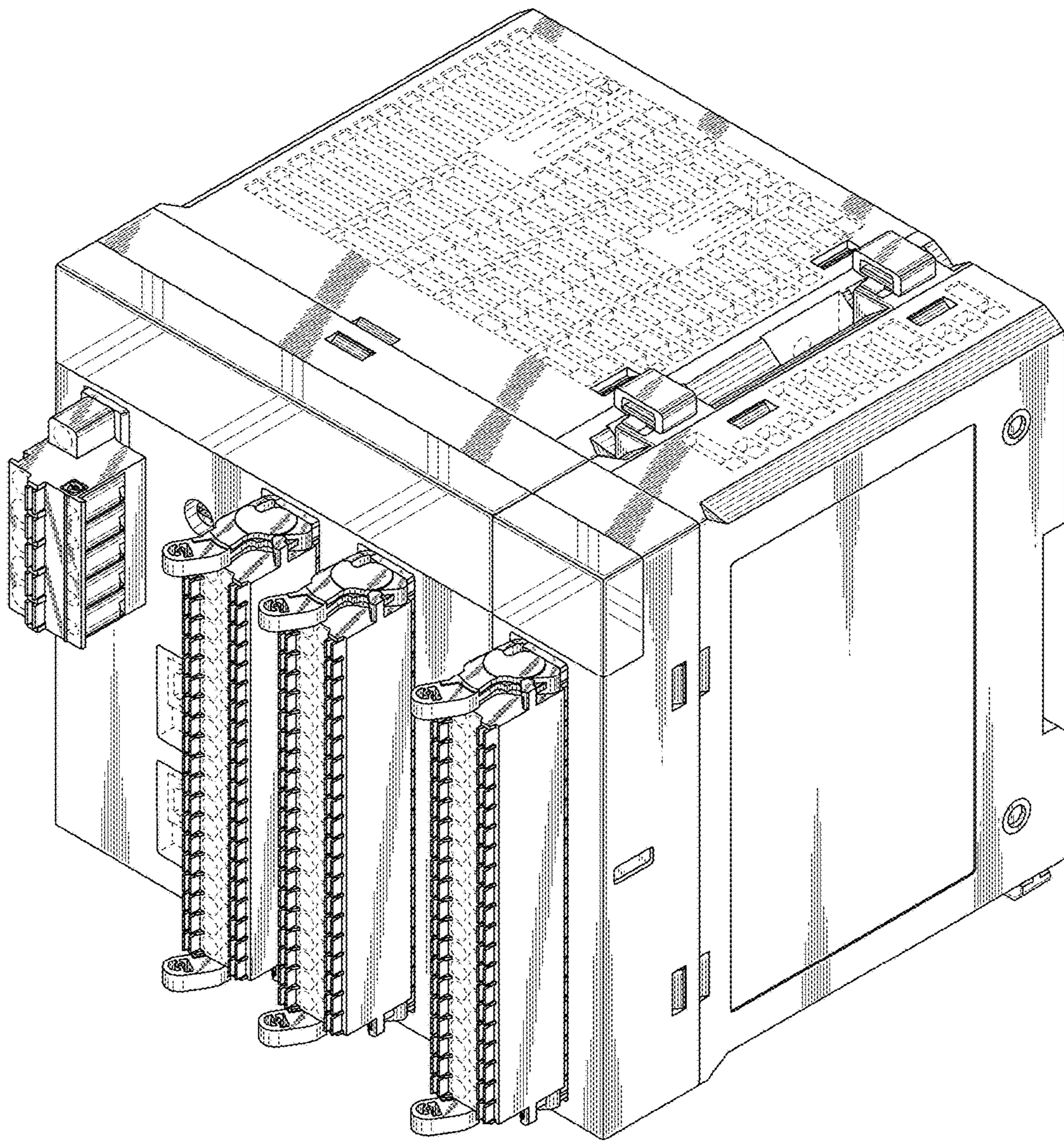


FIG. 2

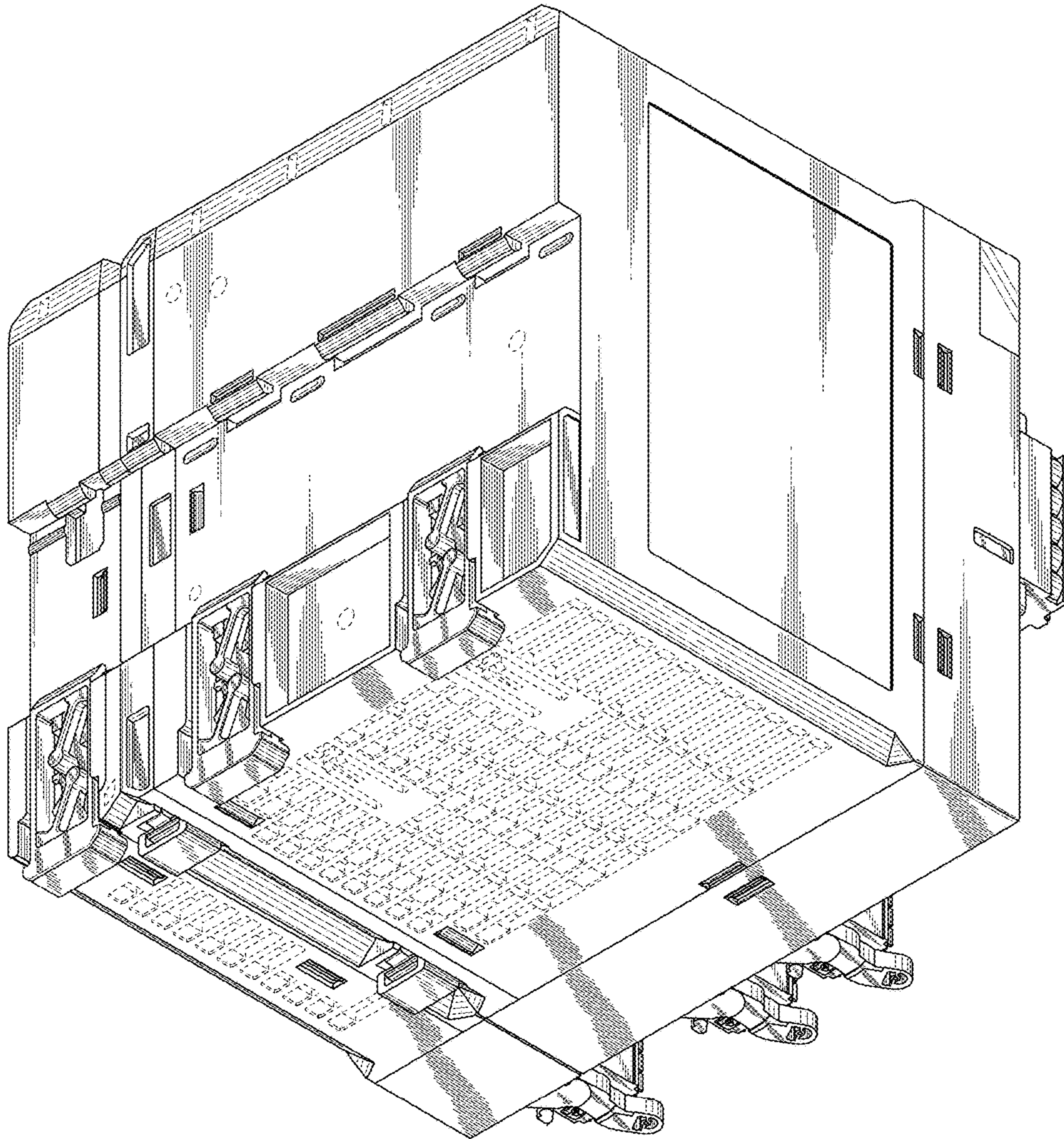


FIG. 3

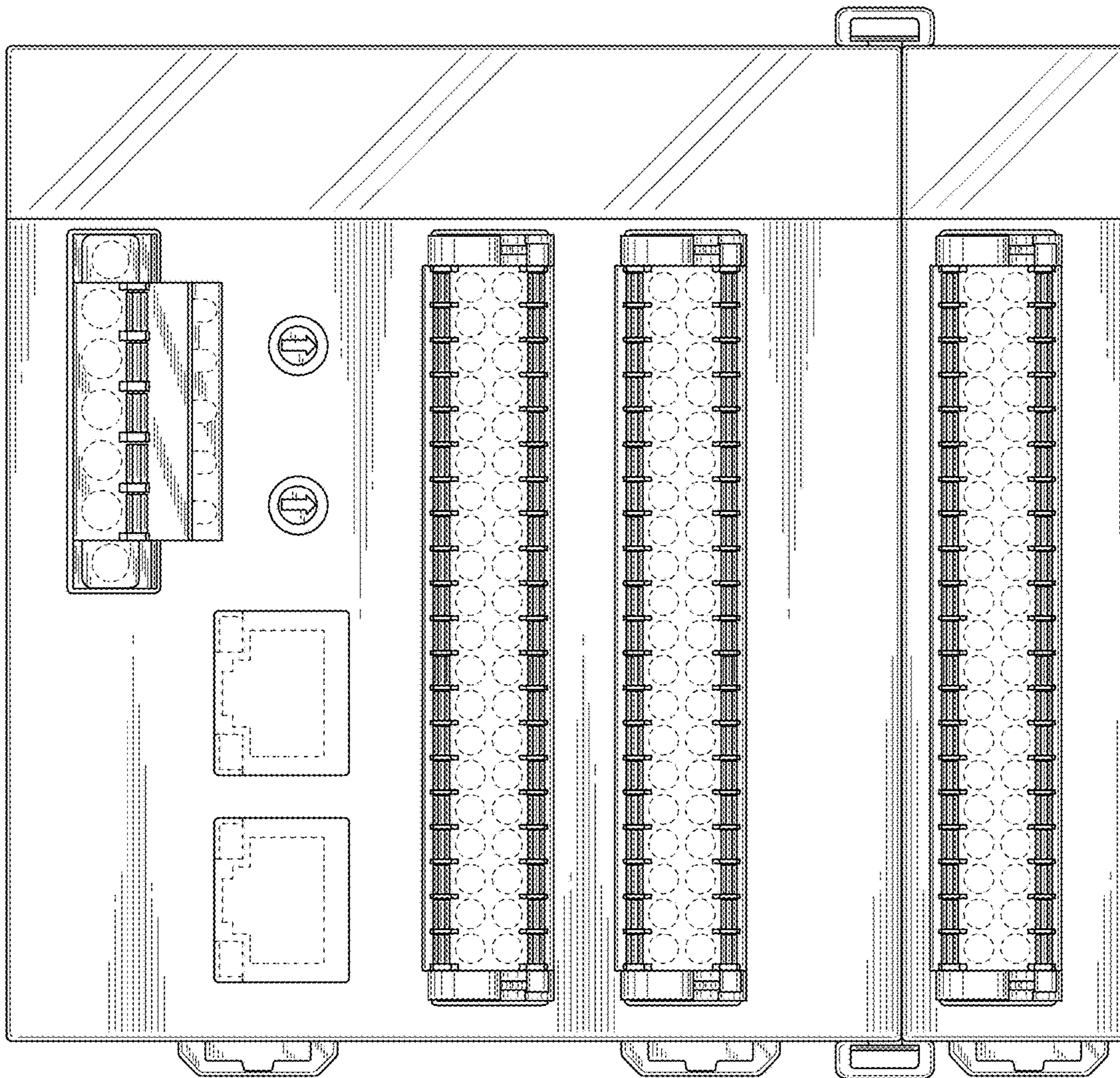


FIG. 4

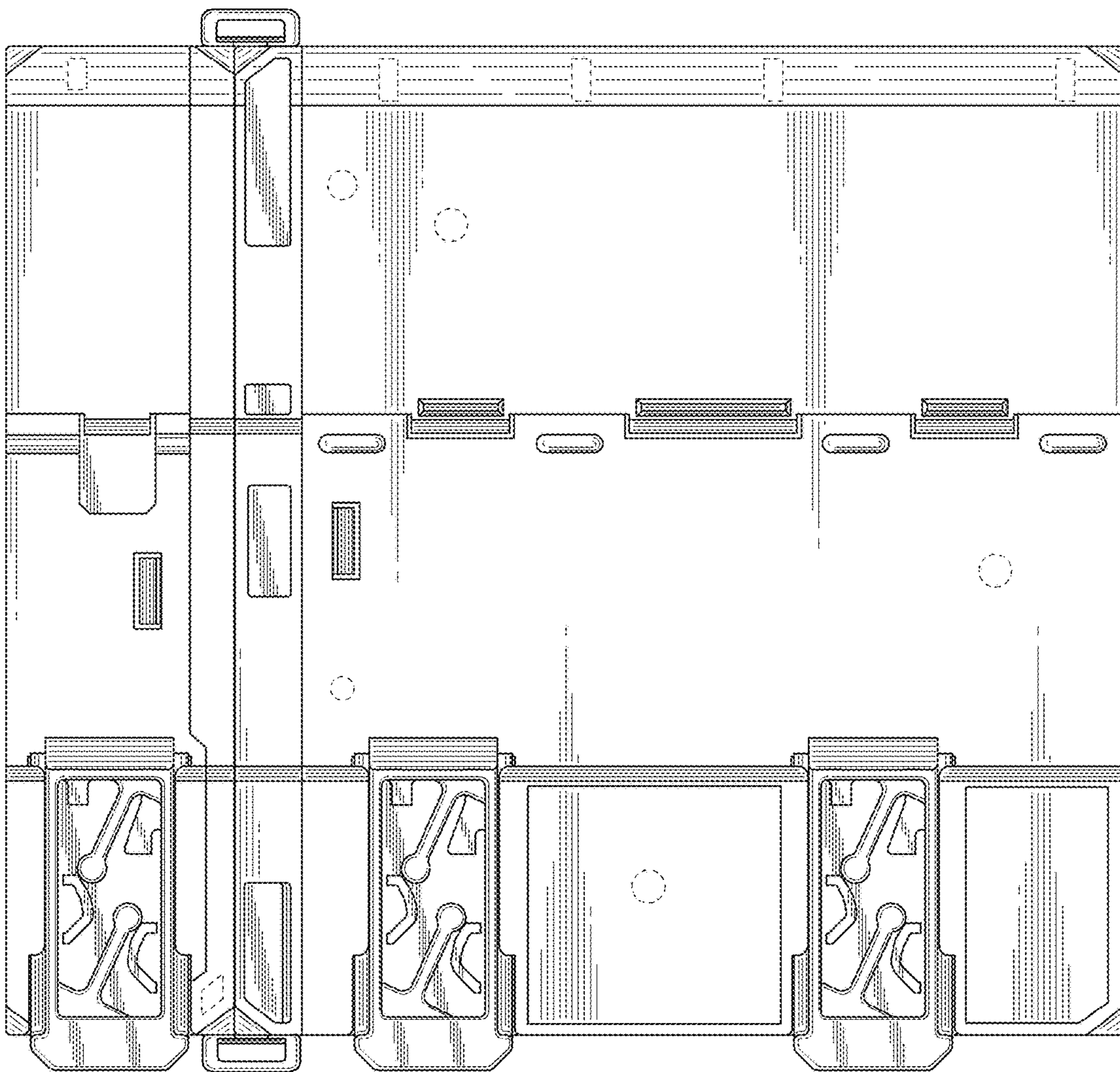


FIG. 5

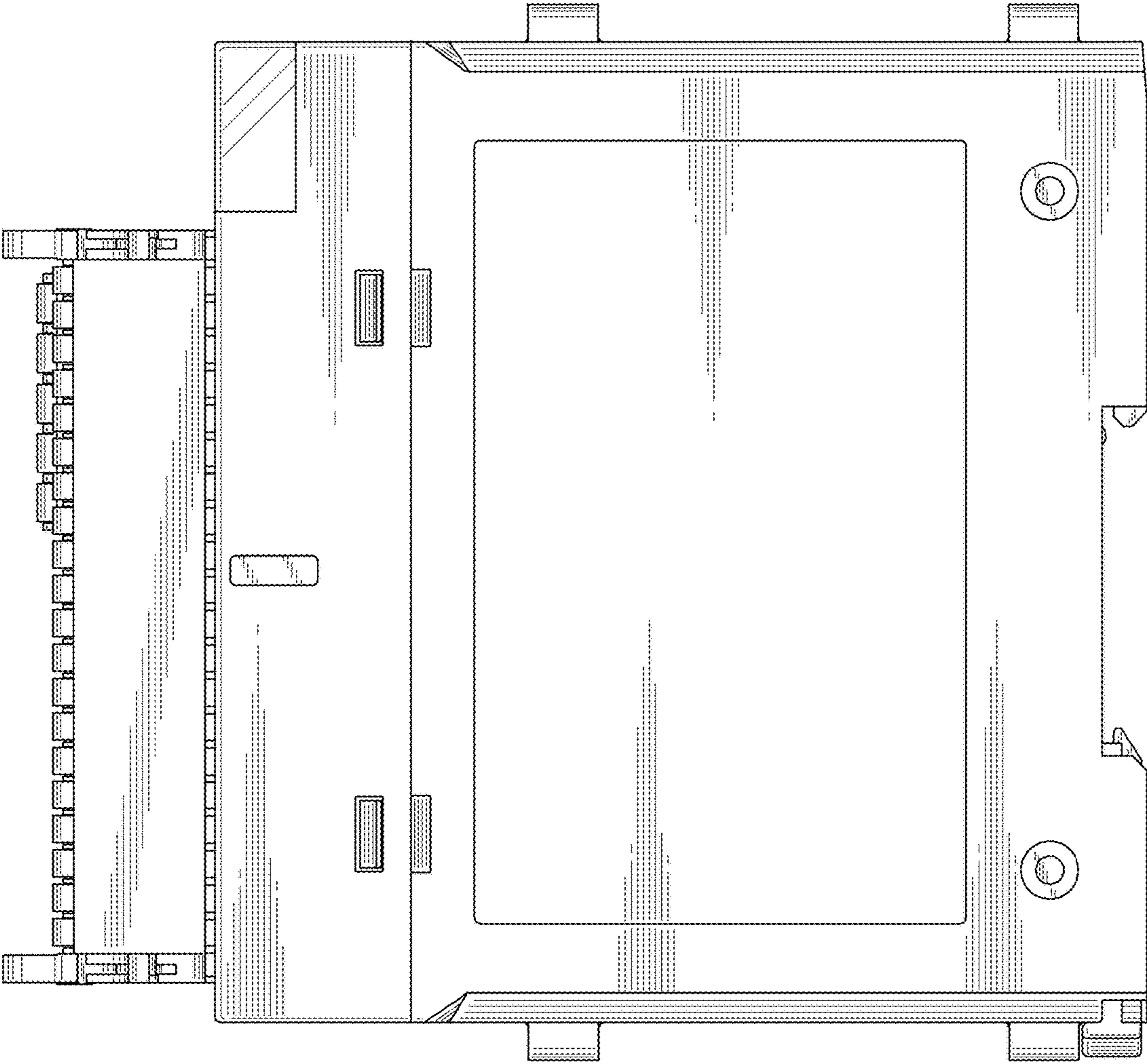


FIG. 6

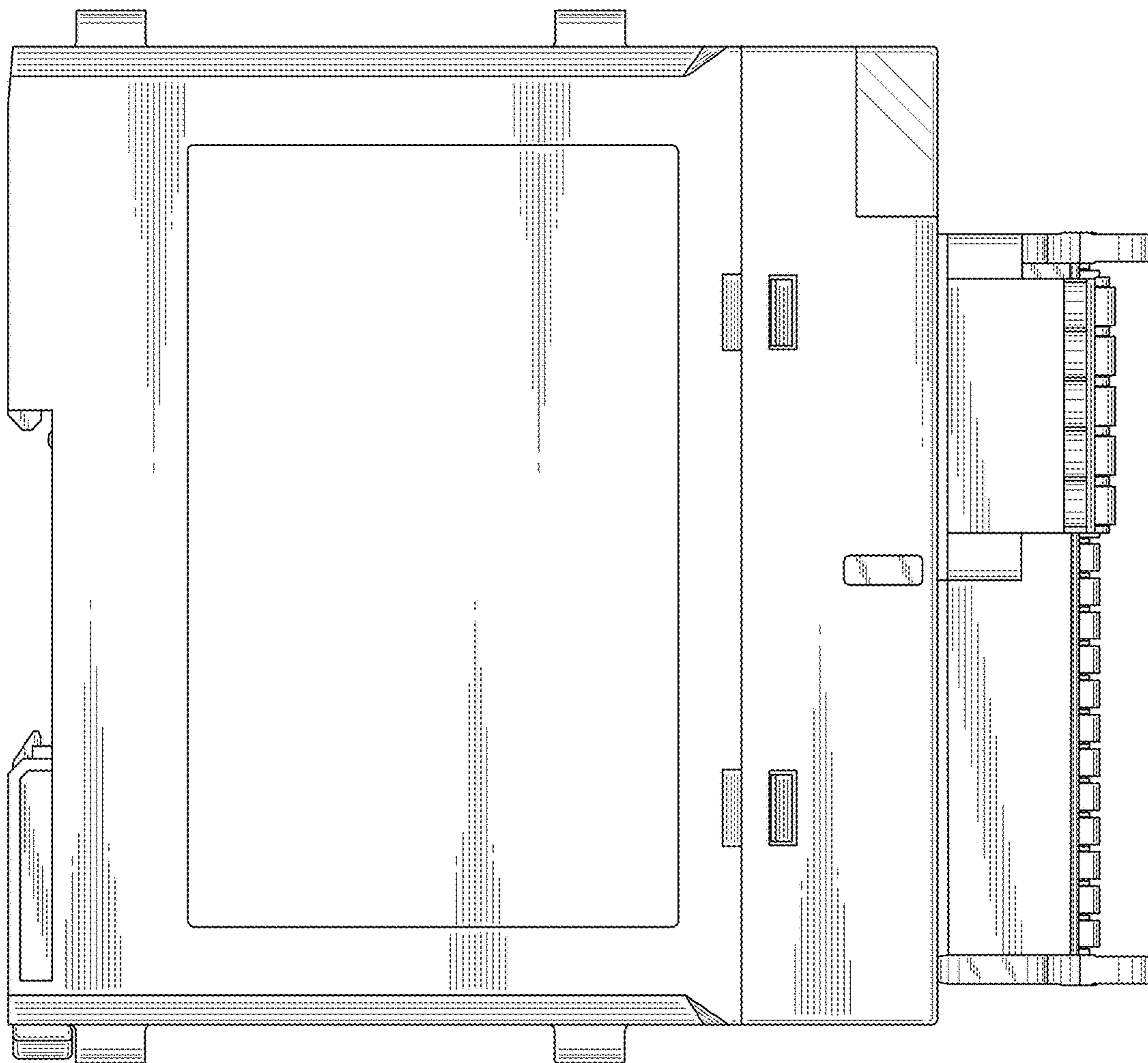


FIG. 7

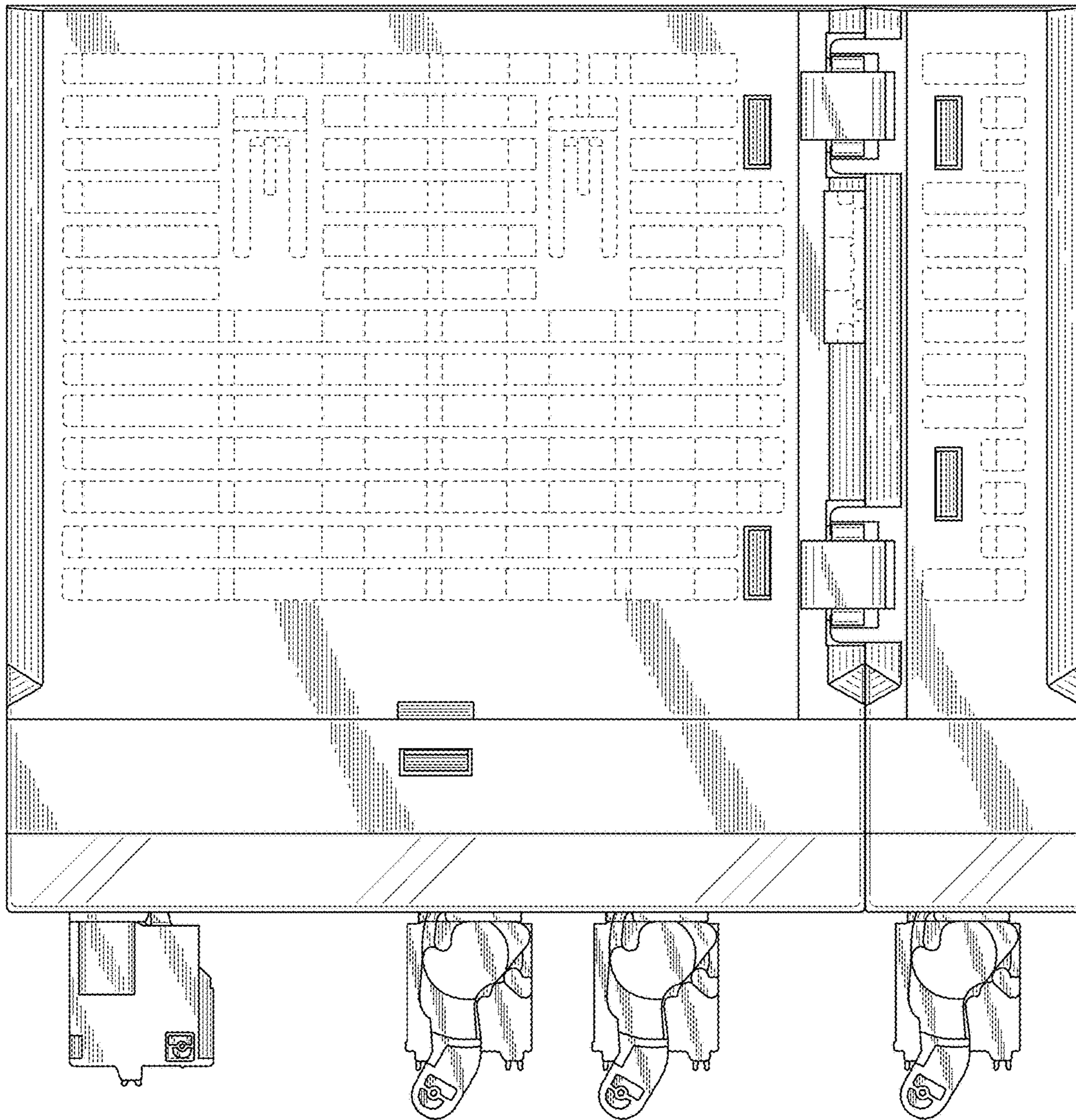


FIG. 8

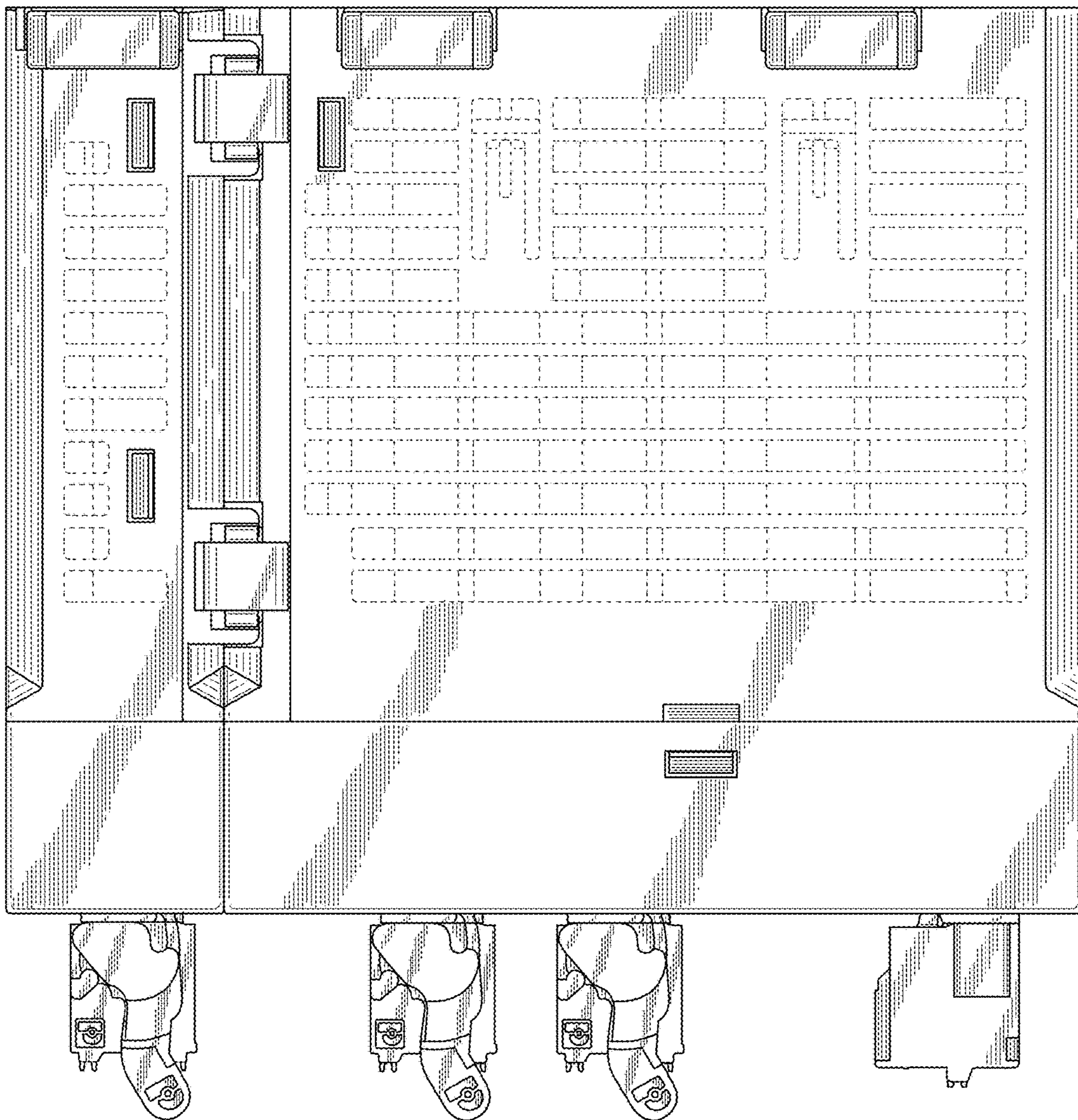


FIG. 9

