



US00D790479S

(12) **United States Design Patent**  
**Suenaga**

(10) **Patent No.:** **US D790,479 S**  
(45) **Date of Patent:** **\*\* \*Jun. 27, 2017**

(54) **BODY OF A WIRE HARNESS PROTECTOR**

D265,768 S 8/1982 Howley  
4,398,564 A \* 8/1983 Young ..... H02G 3/0418  
138/155

(71) Applicant: **Sumitomo Wiring Systems, Ltd.**,  
Yokkaichi-shi, Mie-ken (JP)

D270,574 S 9/1983 Black  
4,572,423 A 2/1986 Spencer  
D283,959 S \* 5/1986 Sun ..... D6/705.5  
4,951,716 A \* 8/1990 Tsunoda ..... H02G 3/0418  
138/157

(72) Inventor: **Ryo Suenaga**, Yokkaichi (JP)

(73) Assignee: **Sumitomo Wiring Systems, Ltd.**,  
Yokkaichi-shi (JP)

D314,914 S \* 2/1991 Callinan ..... D27/186  
5,024,251 A 6/1991 Chapman  
5,203,129 A 4/1993 Johnson  
5,332,866 A 7/1994 Sawamura  
D351,787 S 10/1994 Hansen

(\*) Notice: This patent is subject to a terminal disclaimer.

(Continued)

(\*\*) Term: **15 Years**

*Primary Examiner* — Derrick Holland

(21) Appl. No.: **29/544,861**

(74) *Attorney, Agent, or Firm* — Caesar Rivise, PC

(22) Filed: **Nov. 6, 2015**

(57) **CLAIM**

(30) **Foreign Application Priority Data**

The ornamental design for a body of a wire harness protector, as shown and described.

Sep. 25, 2015 (JP) ..... 2015-021121

**DESCRIPTION**

(51) **LOC (10) Cl.** ..... **13-03**

(52) **U.S. Cl.**  
USPC ..... **D13/156**

(58) **Field of Classification Search**  
USPC ..... D13/123, 154, 155, 156, 184, 199;  
D8/349, 353, 356; D9/434, 435, 439;  
D23/386; 174/50, 66, 68.1, 135, 153 A;  
439/445, 447, 535  
CPC .. H02G 3/00; H02G 3/04; H02G 3/08; H02G  
3/0418; H02G 3/0425; H02G 3/0456;  
H02G 3/0487; H02G 3/045; H02G  
3/0431; H02G 3/0608; H02G 3/32; Y10T  
29/49826; F16L 3/006; F16L 3/127;  
H04Q 1/064

See application file for complete search history.

FIG. 1 is a front, top, and right side perspective view of a body of a wire harness protector showing my new design; FIG. 2 is a front view thereof; FIG. 3 is a rear view thereof; FIG. 4 is a top plan view thereof; FIG. 5 is a bottom plan view thereof; FIG. 6 is a right side view thereof; a left side view being an identical image of FIG. 6; FIG. 7 is an enlarged view of the portion indicated by line 7-7 in FIG. 1; FIG. 8 is an enlarged view of the portion indicated by line 8-8 in FIG. 4; FIG. 9 is a cross sectional view taken along line 9-9 in FIG. 8; and, FIG. 10 is a cross sectional view taken along line 10-10 in FIG. 8.

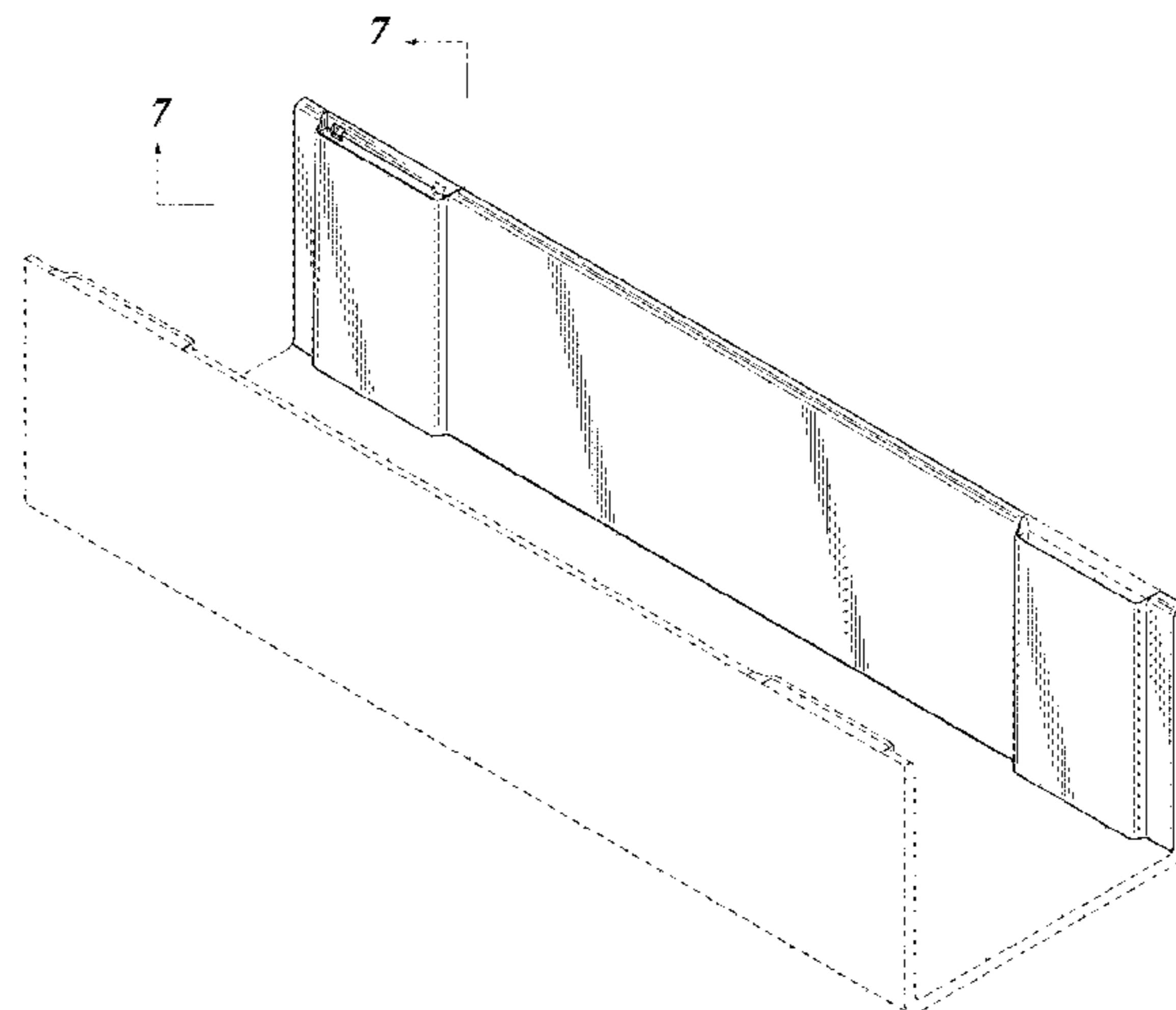
The features shown in broken lines in the drawings depict environmental subject matter only and form no part of the claimed design.

(56) **References Cited**

**U.S. PATENT DOCUMENTS**

3,636,984 A 1/1972 Rauhauser  
4,077,434 A 3/1978 Sieckert et al.

**1 Claim, 10 Drawing Sheets**



(56)

References Cited

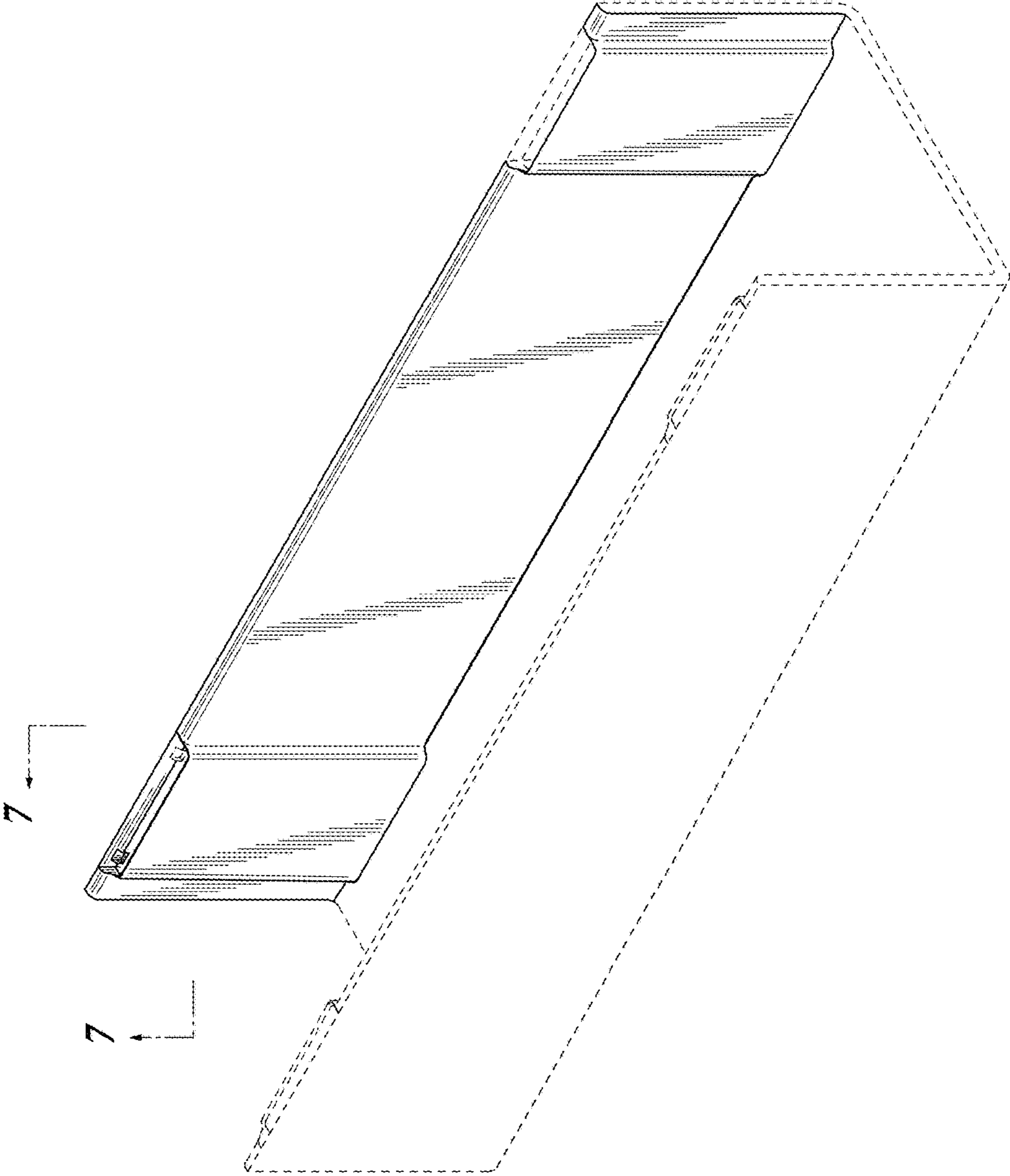
U.S. PATENT DOCUMENTS

5,597,980 A 1/1997 Weber  
 D409,896 S 5/1999 Kaplan  
 D415,482 S 10/1999 Jolson  
 6,037,543 A 3/2000 Nicoli et al.  
 6,216,746 B1\* 4/2001 Guebre-Tsadik .... H02G 3/0418  
 138/155  
 6,234,429 B1 5/2001 Yang  
 6,450,458 B1\* 9/2002 Bernard ..... H02G 3/0608  
 248/68.1  
 D463,969 S \* 10/2002 Luu ..... D14/256  
 6,559,378 B1\* 5/2003 Bernard ..... H02G 3/0608  
 174/481  
 7,017,615 B2 3/2006 Suzuki et al.  
 7,214,879 B1 5/2007 Suzuki et al.  
 7,246,778 B2 7/2007 Caveney et al.  
 D582,351 S 12/2008 Gya  
 D602,764 S 10/2009 Pae et al.  
 D604,119 S 11/2009 Kim  
 D604,603 S 11/2009 Kohno

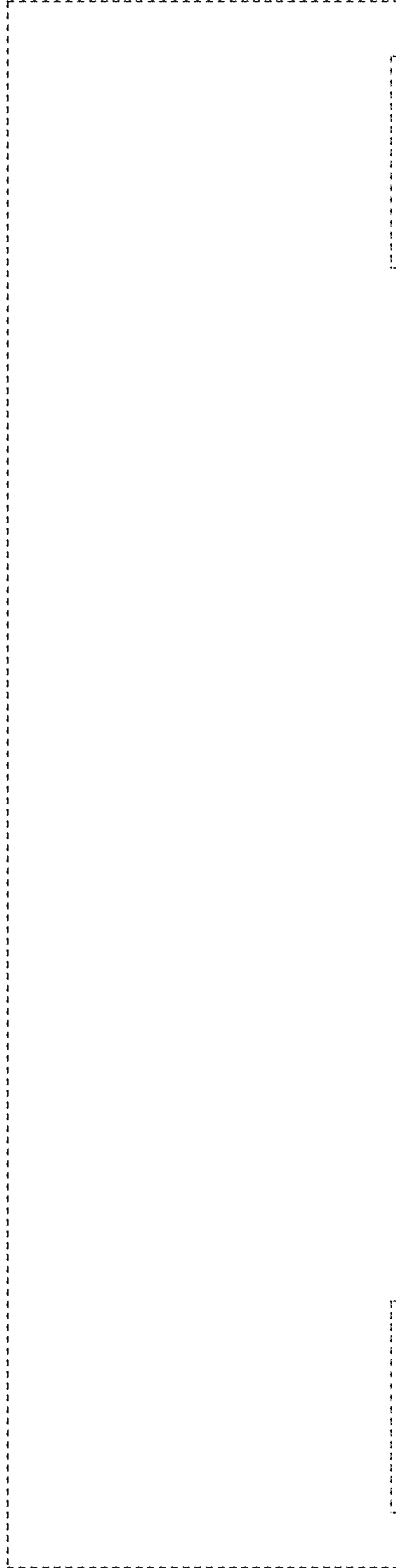
D611,326 S 3/2010 Alaniz et al.  
 7,687,713 B2 3/2010 VanderVelde et al.  
 7,763,800 B2 7/2010 Lesniak et al.  
 7,825,339 B2 11/2010 Suzuki  
 D635,935 S 4/2011 Donowho  
 D638,687 S 5/2011 Minkley et al.  
 7,964,796 B2 6/2011 Suzuki  
 8,119,913 B2 2/2012 Sonotsu  
 8,124,887 B2 2/2012 Suzuki  
 8,188,368 B2 5/2012 Suzuki  
 8,319,099 B2\* 11/2012 Xu ..... H05K 5/0221  
 174/50  
 8,575,487 B2 11/2013 Agusa  
 8,733,798 B2 5/2014 McCarthy et al.  
 2003/0047343 A1\* 3/2003 Ferris ..... H02G 3/0608  
 174/68.3  
 2005/0103517 A1 5/2005 Canepa  
 2005/0217888 A1 10/2005 Arai et al.  
 2005/0241715 A1 11/2005 Suzuki et al.  
 2009/0090533 A1 4/2009 Jones et al.  
 2010/0193060 A1 8/2010 McCarthy et al.

\* cited by examiner

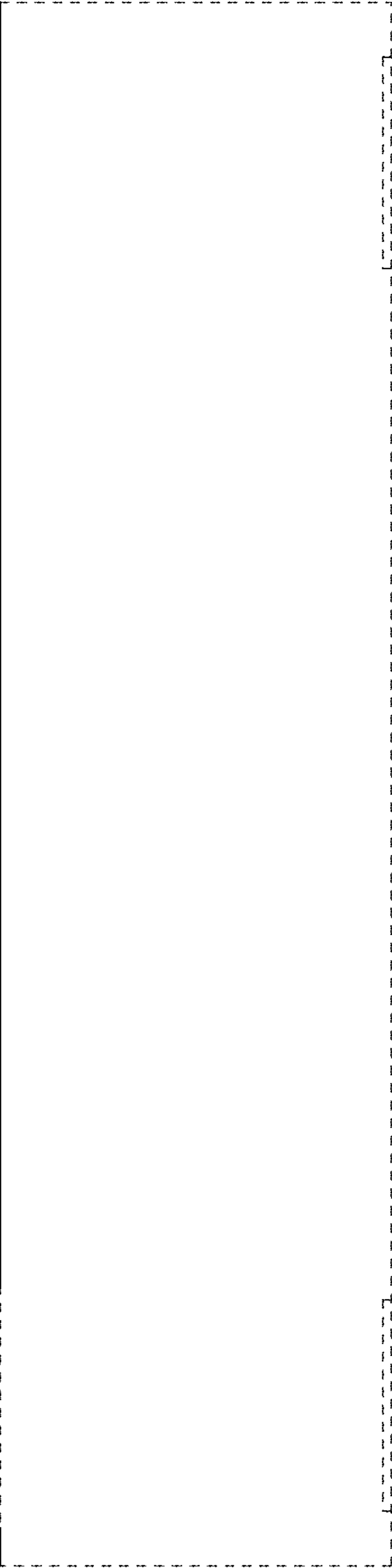
**FIG. 1**



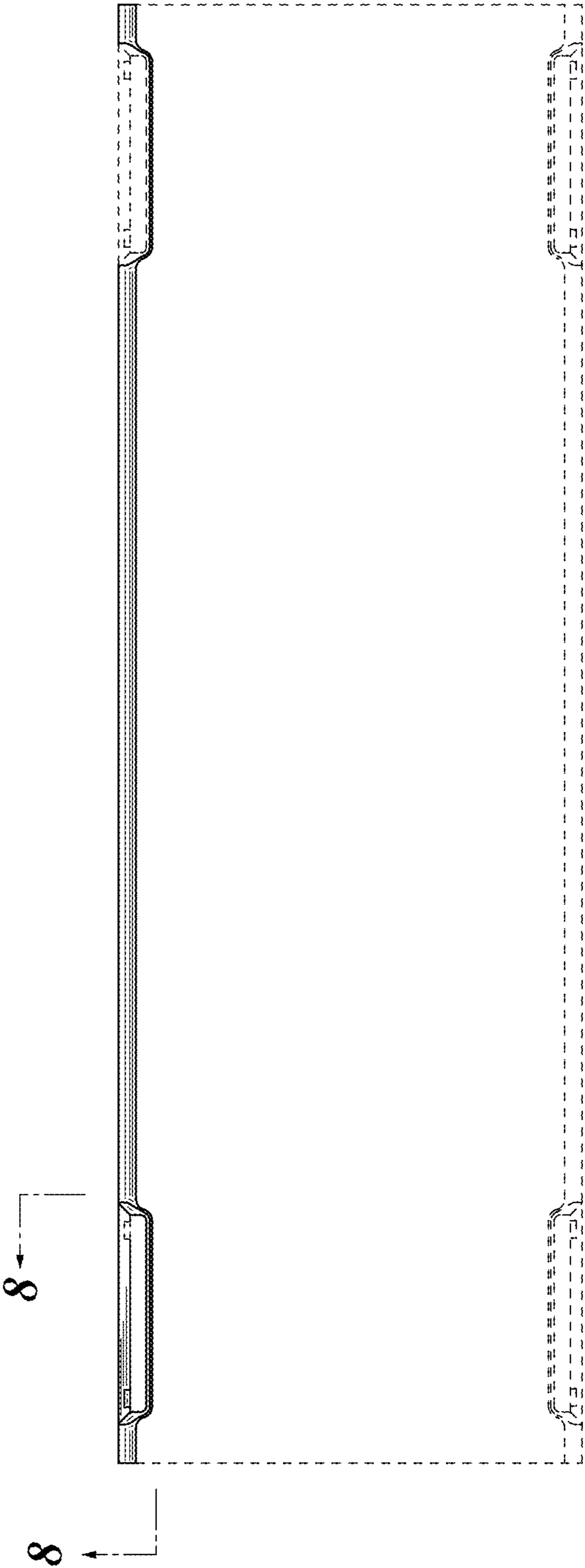
**FIG. 2**



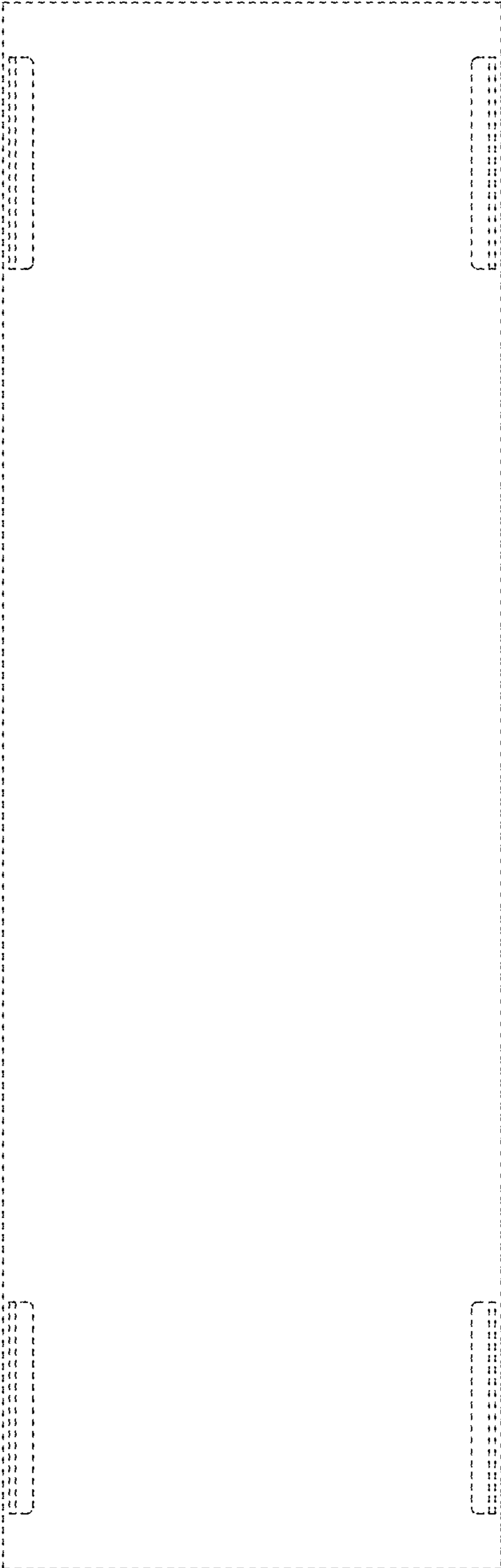
**FIG. 3**



**FIG. 4**



**FIG. 5**

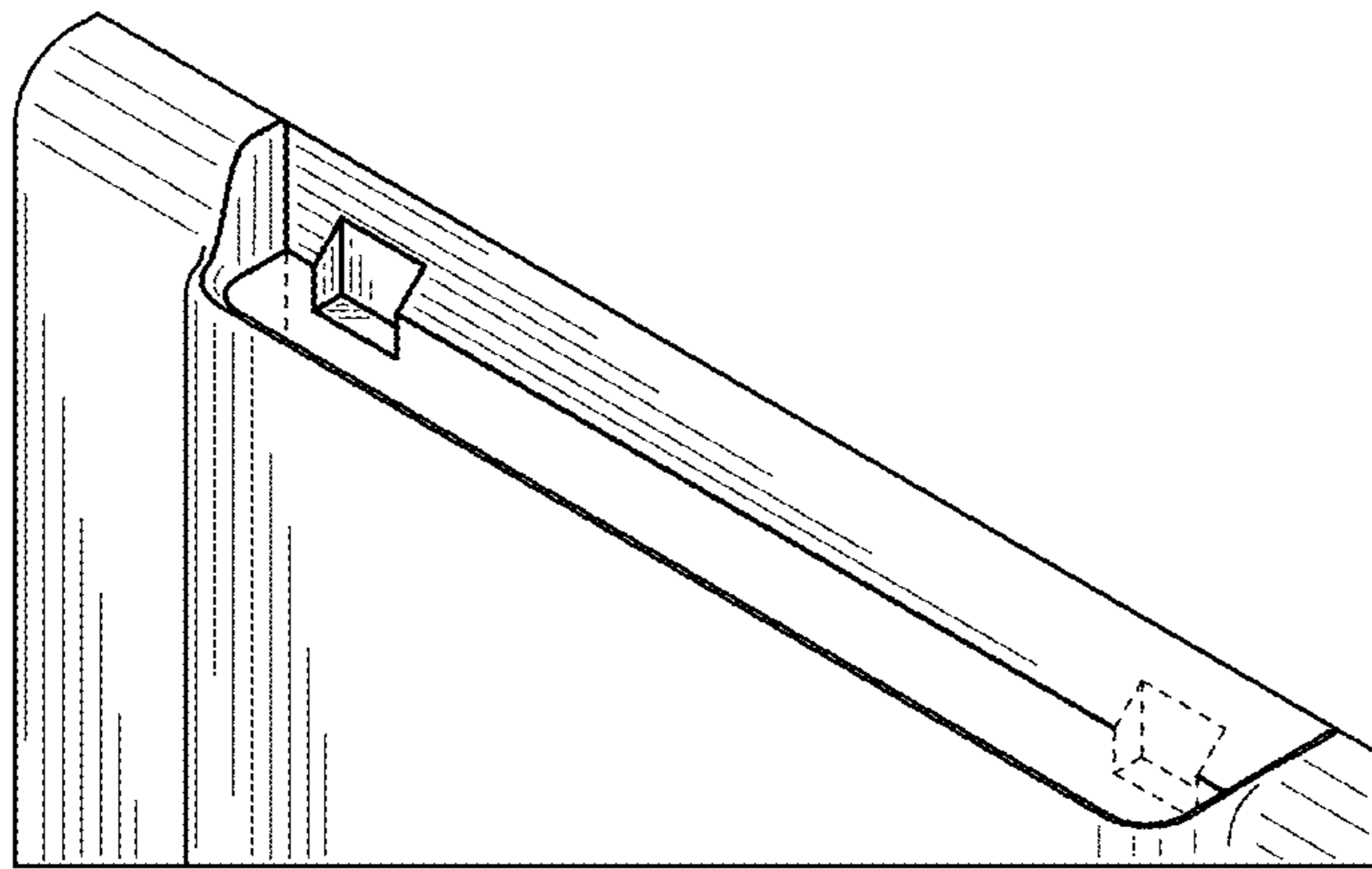


***FIG. 6***

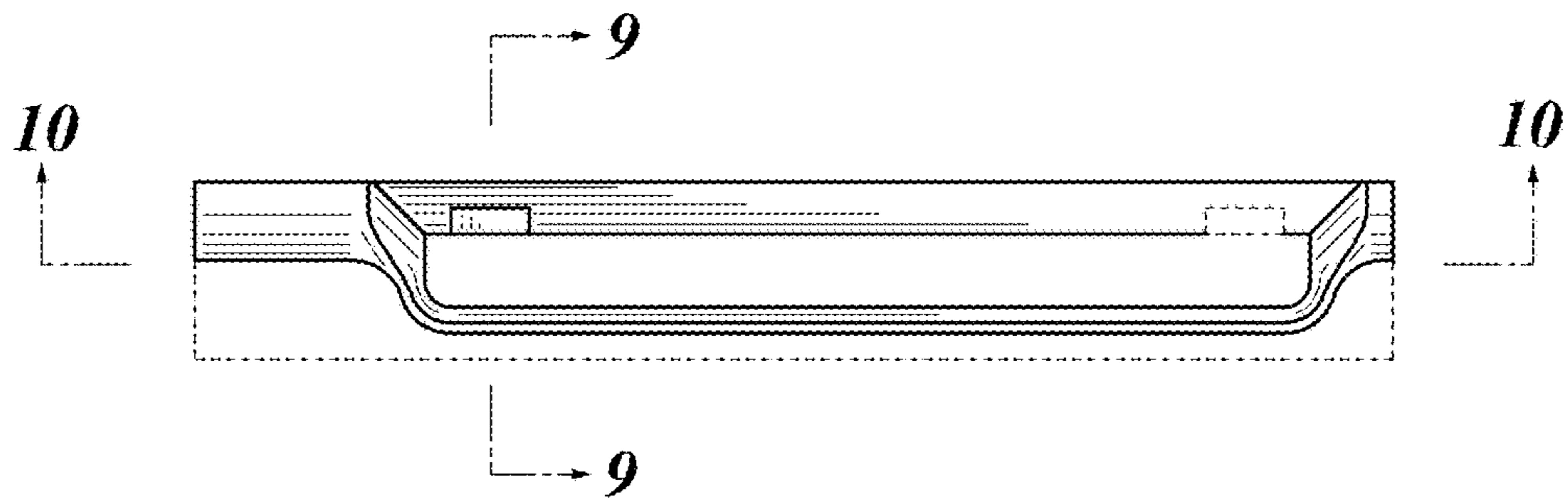




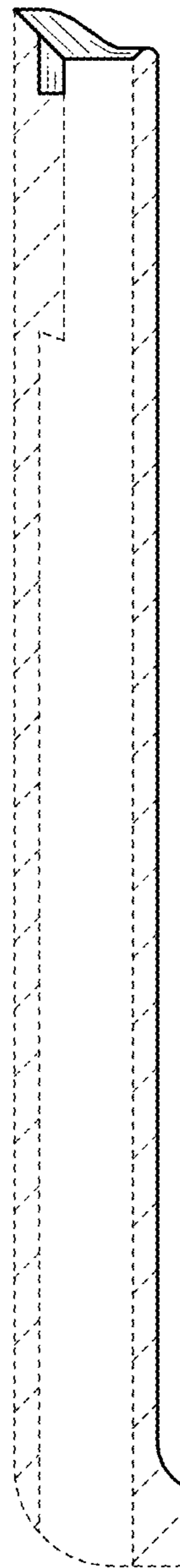
***FIG. 7***



*FIG. 8*



***FIG. 9***



***FIG. 10***

