



US00D790478S

(12) **United States Design Patent** (10) **Patent No.:** **US D790,478 S**
Elbaz (45) **Date of Patent:** **** Jun. 27, 2017**

(54) **OUTDOOR ELECTRICAL DEVICE COVER** 6,476,321 B1 * 11/2002 Shotey H02G 3/18
174/67
(71) Applicant: **Michael Elbaz**, New York, NY (US) 7,381,895 B1 6/2008 Shotey
7,410,372 B2 * 8/2008 Johnson H02G 3/14
174/66
(72) Inventor: **Michael Elbaz**, New York, NY (US) 7,462,778 B1 12/2008 Shotey
7,479,598 B1 1/2009 Shotey
(73) Assignee: **Superflex, Ltd.**, Brooklyn, NY (US) 7,968,794 B1 * 6/2011 Baldwin H02G 3/14
174/66
(**) Term: **14 Years** D669,864 S * 10/2012 Korcz D13/156
9,219,357 B1 * 12/2015 Elbaz H02G 3/081
9,560,784 B1 * 1/2017 Elbaz H05K 5/061
(21) Appl. No.: **29/507,014**

(22) Filed: **Oct. 23, 2014**
(51) **LOC (10) Cl.** **13-03**
(52) **U.S. Cl.**
USPC **D13/156**
(58) **Field of Classification Search**
USPC D13/156, 139.4, 139.8, 152, 154, 184,
D13/199; 174/1, 50, 50.52, 51, 58, 64,
174/66, 67; 220/241, 242; 439/135, 136,
439/139, 140, 144, 149, 527, 535, 536
CPC H05K 5/02; H05K 5/0226; H05K 5/0239;
H02G 3/08; H02G 3/14; H02G 3/18;
H02G 3/081; H02G 3/088; H02G 3/121;
H01R 13/44; H01R 13/447; H01R
13/5213
See application file for complete search history.

(56) **References Cited**
U.S. PATENT DOCUMENTS
3,189,212 A 6/1965 Bellek
4,994,631 A 2/1991 Williams
5,317,108 A * 5/1994 Prairie, Jr. H02G 3/14
174/67
D379,176 S * 5/1997 Chambers D13/156
5,762,224 A * 6/1998 Benn E05B 17/0025
220/210
5,763,831 A 6/1998 Shotey
5,773,760 A * 6/1998 Stark H02G 3/088
174/66
6,007,353 A * 12/1999 Webster H01R 13/447
439/142

OTHER PUBLICATIONS

Bell MX1050Z , www.amazon.com/MX1015Z-Weatherproof-Re-
ceptacle-Protector-Vertical.
Bell-MX1250Z, www.amazon.com/Bell-MX1250Z-Weather-
proof-Receptacle-Horizontal.

* cited by examiner

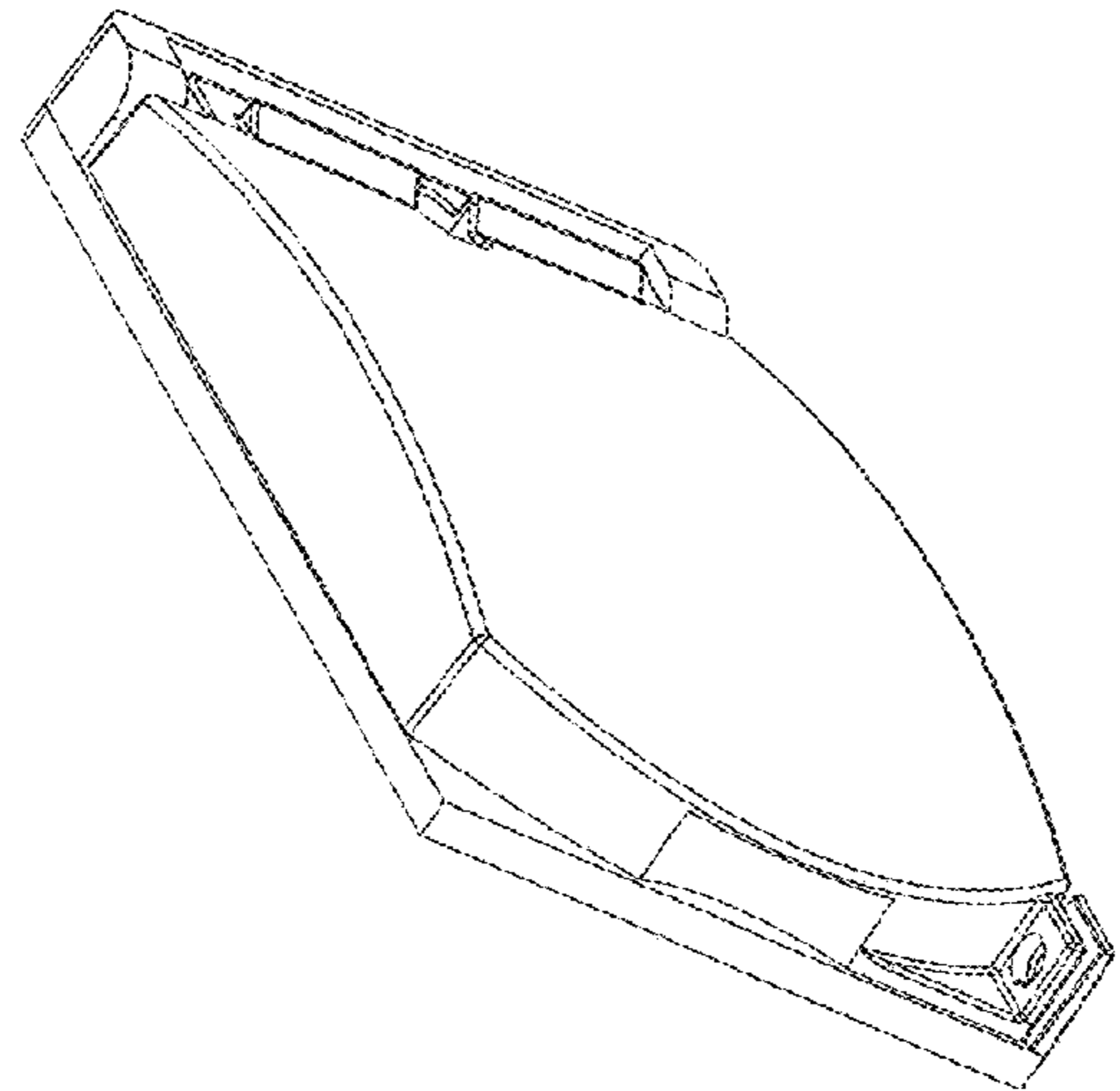
Primary Examiner — Derrick Holland
(74) *Attorney, Agent, or Firm* — Seth Natter; Natter &
Natter

(57) **CLAIM**
The ornamental design for an outdoor electrical device
cover, as shown and described.

DESCRIPTION

FIG. 1 is an isometric view of an outdoor electrical device
cover showing my new design;
FIG. 2 is a front elevational view thereof;
FIG. 3 is a top plan view thereof;
FIG. 4 is a bottom plan view thereof;
FIG. 5 is a right side elevational view thereof;
FIG. 6 is a left side elevational view thereof
FIG. 7 is a rear elevational view thereof; and,
FIG. 8 is a bottom and side isometric view thereof.
The broken lines shown represent unclaimed subject matter
and form no part of the claimed design.

1 Claim, 8 Drawing Sheets



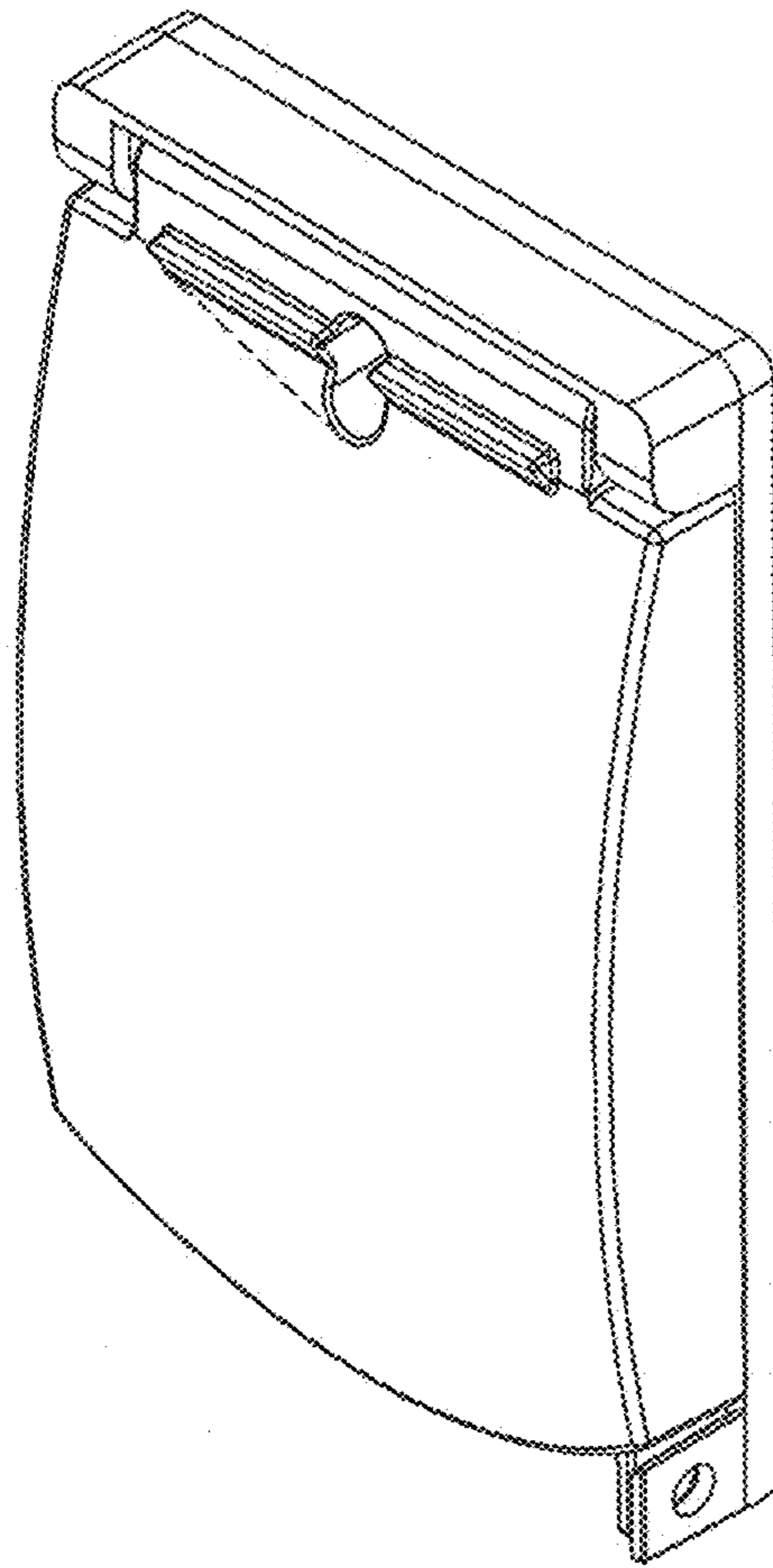


Fig. 1

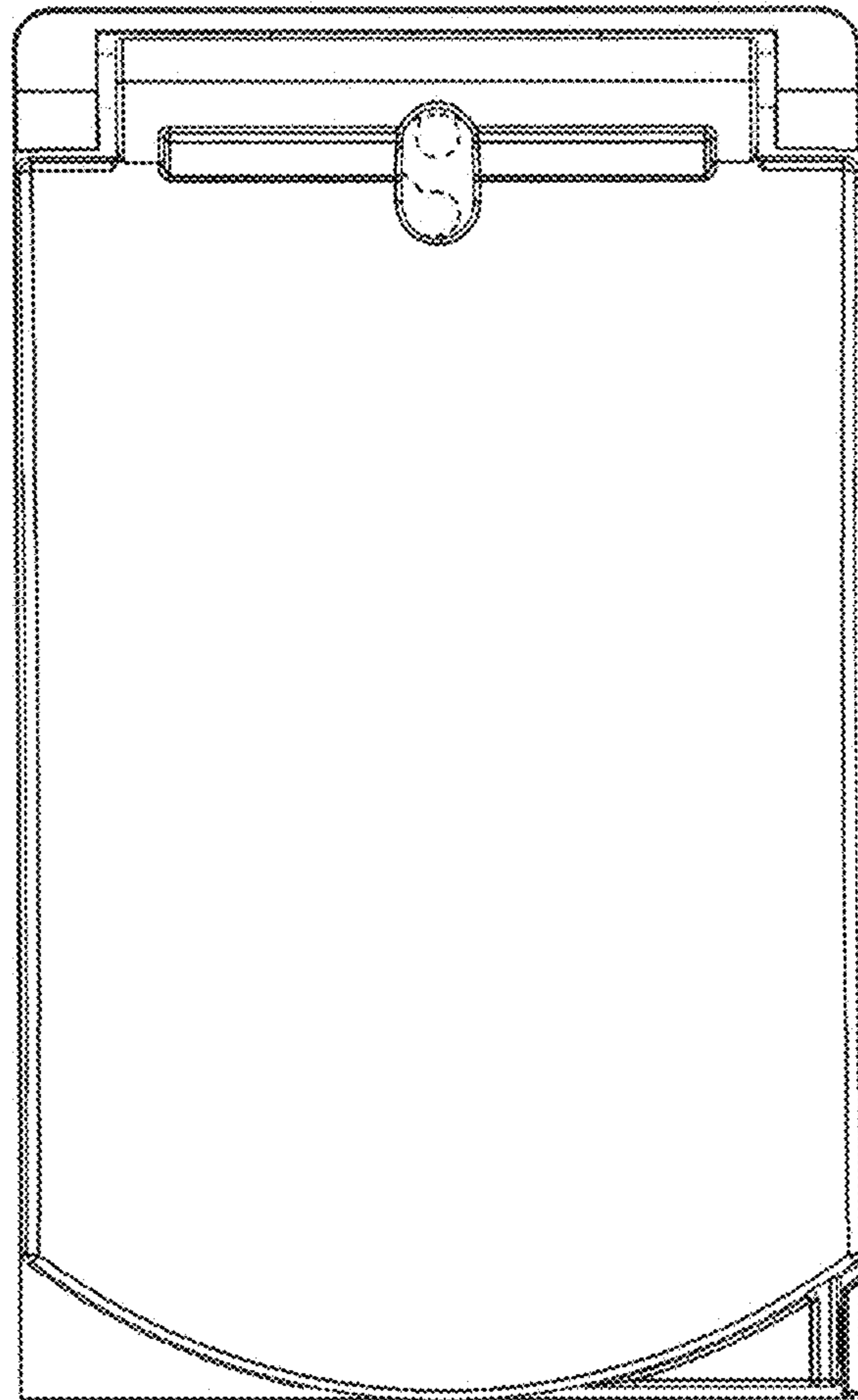


Fig. 2

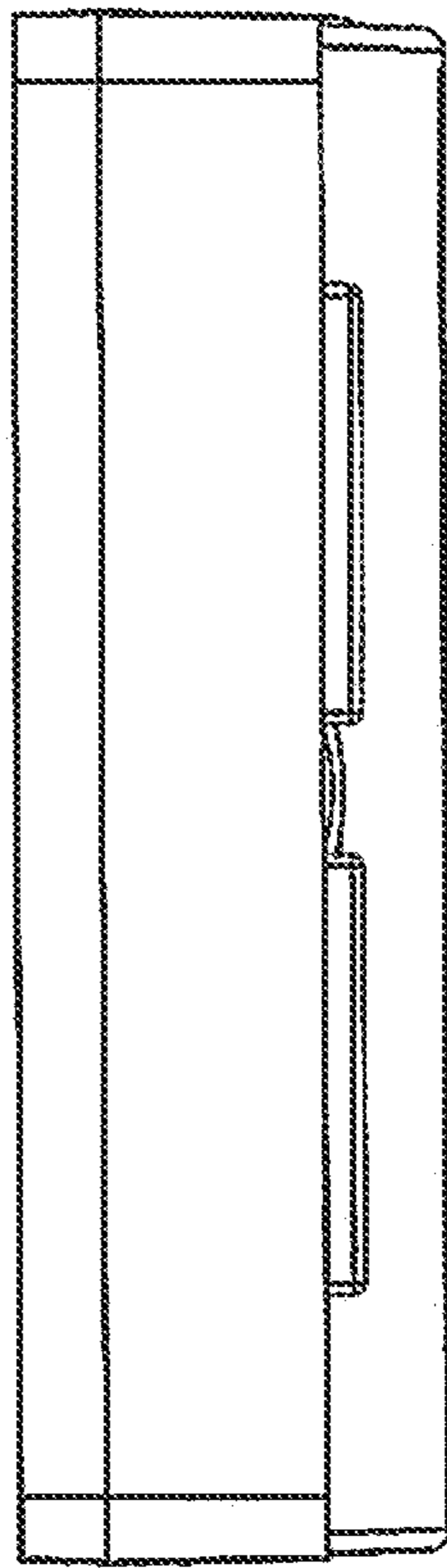


Fig. 3

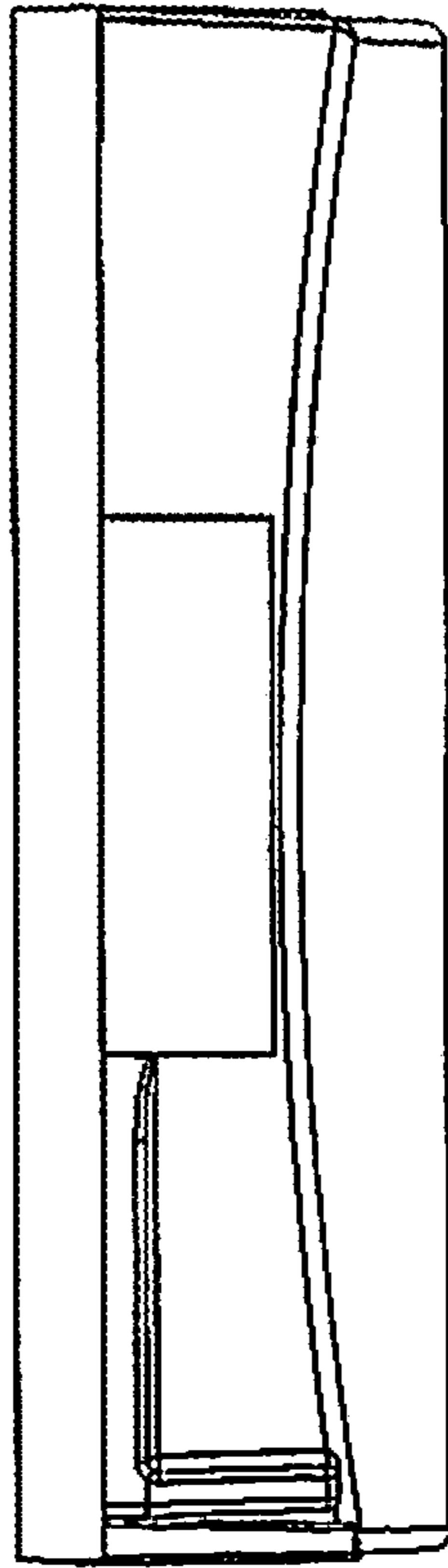


Fig. 4

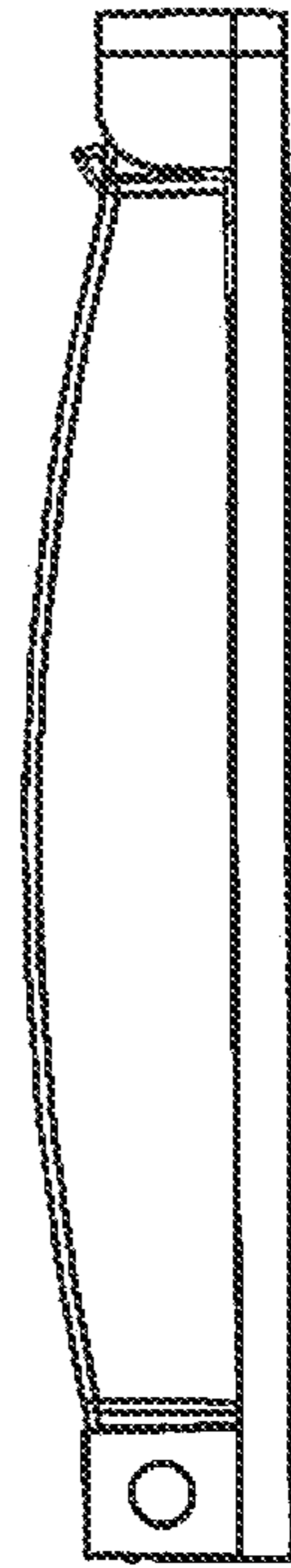


Fig. 5

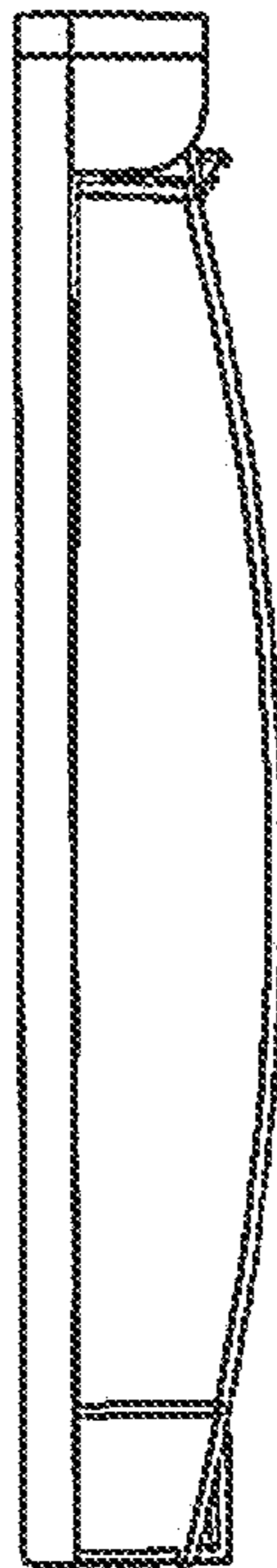


Fig. 6

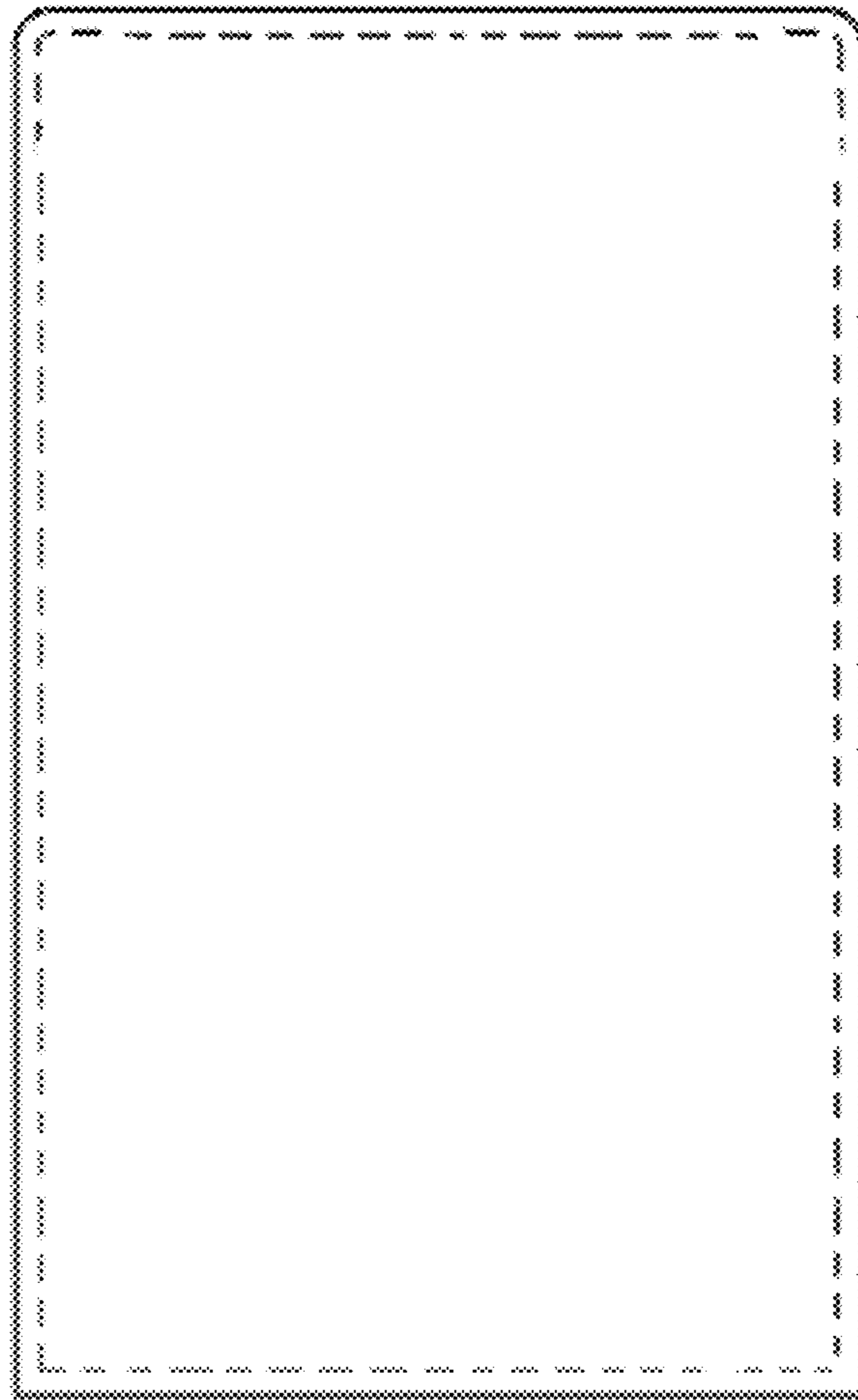


Fig. 7

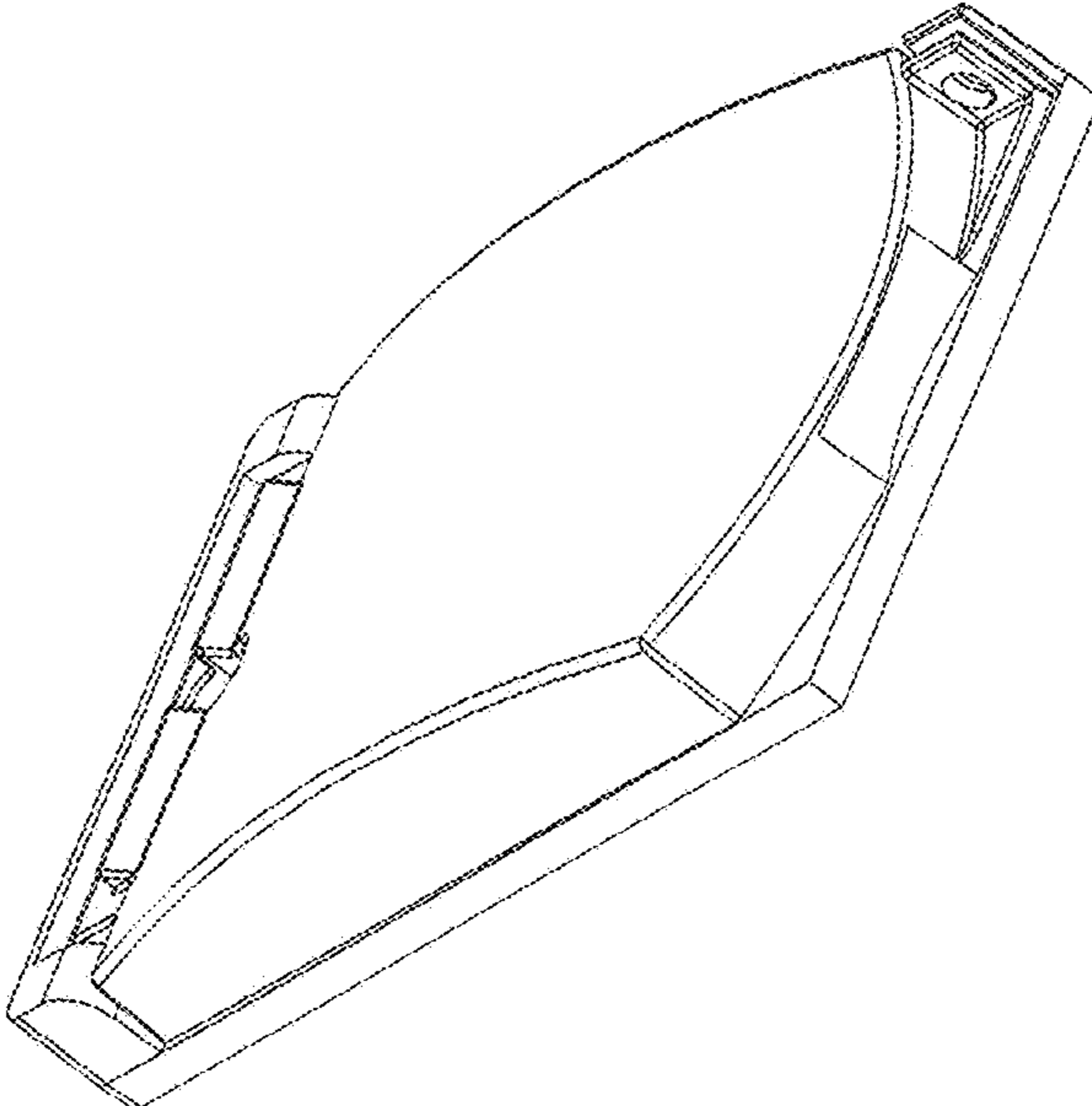


Fig. 8