



US00D790477S

(12) **United States Design Patent**
Ruddick

(10) **Patent No.:** **US D790,477 S**
(45) **Date of Patent:** **** Jun. 27, 2017**

(54) **CABLE CONDUIT**

F16G 11/00; H02G 3/00; H02G 3/03;
H02G 3/04; H02G 3/0437; H02G 3/0608
See application file for complete search history.

(71) Applicant: **D-Line (Europe) Limited**, Tyne and
Wear (GB)

(56) **References Cited**

(72) Inventor: **Paul David Ruddick**, Tyne and Wear
(GB)

U.S. PATENT DOCUMENTS

(73) Assignee: **D-Line (Europe) Limited**, Tyne and
Wear (GB)

1,755,899 A 4/1930 Root
3,304,108 A * 2/1967 Hamilton F16L 41/025
403/295

(Continued)

(**) Term: **15 Years**

FOREIGN PATENT DOCUMENTS

(21) Appl. No.: **29/558,930**

EM 000029814-0001 8/2003
EM 000029814-0002 8/2003

(Continued)

(22) Filed: **Mar. 23, 2016**

OTHER PUBLICATIONS

Related U.S. Application Data

“Trunking Decorative Style—Quick to Fit, Looks Great!” Dec.
2009 (12 pages).

(62) Division of application No. 29/466,905, filed on Sep.
12, 2013.

Primary Examiner — Cynthia Underwood
(74) *Attorney, Agent, or Firm* — Sterne, Kessler,
Goldstein & Fox P.L.L.C.

(30) **Foreign Application Priority Data**

Mar. 18, 2013 (EM) 002204511-0001
Mar. 18, 2013 (EM) 002204511-0002
Mar. 18, 2013 (EM) 002204511-0003
Mar. 18, 2013 (EM) 002204511-0004
Mar. 18, 2013 (EM) 002204511-0005

(57) **CLAIM**

The ornamental design for a cable conduit, as shown and
described.

(51) **LOC (10) Cl.** **13-03**

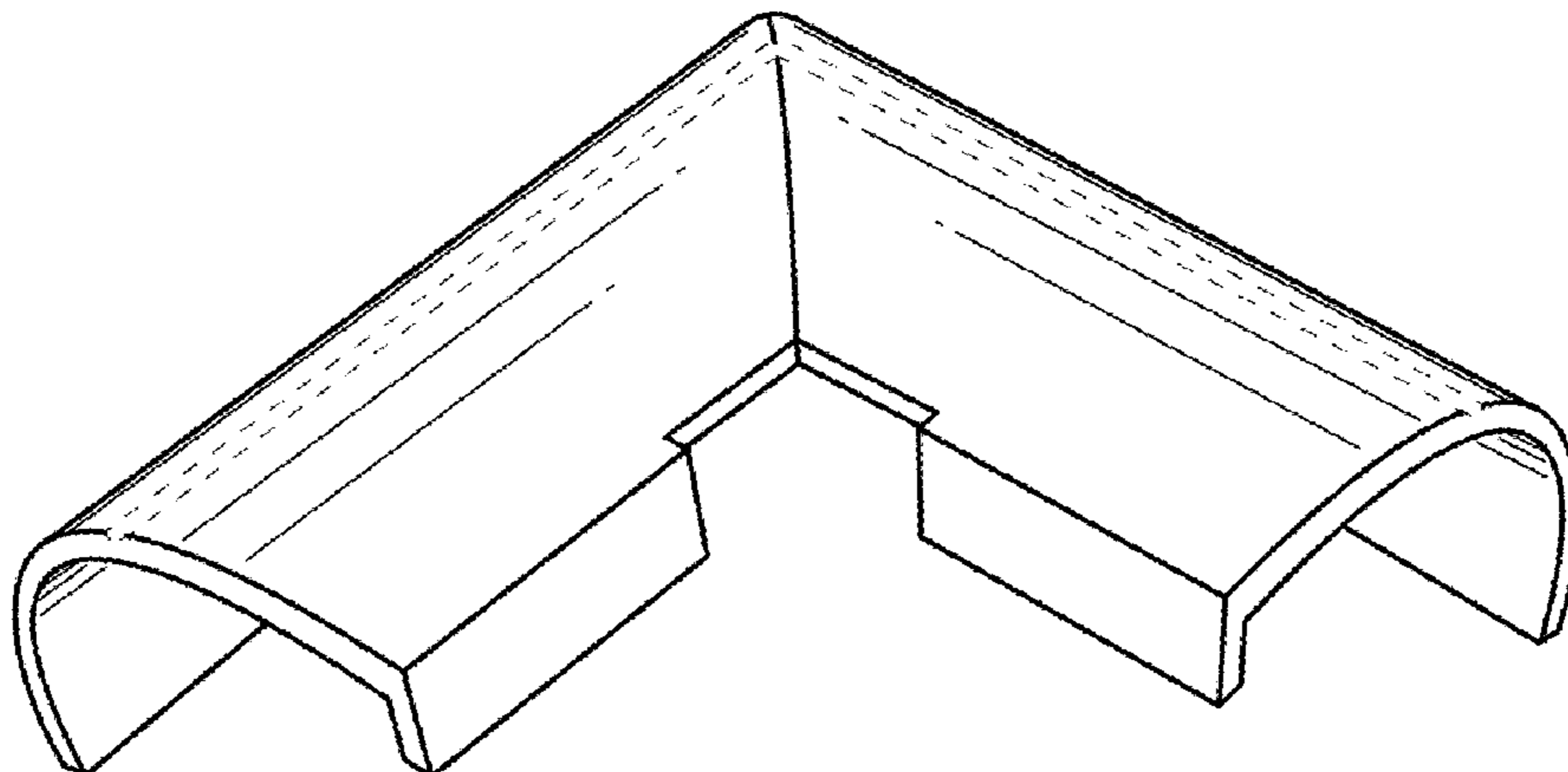
(52) **U.S. Cl.**
USPC **D13/155; D8/356**

DESCRIPTION

(58) **Field of Classification Search**
USPC D24/128, 127, 108, 107; 604/180;
D8/356, 354, 349; D13/155
CPC .. A61M 29/00; A61M 25/02; A61M 25/0133;
A61M 2025/024; A61M 2025/0266;
A61M 5/00; A61M 2039/087; F16G 1/00;

FIG. 1 is a bottom front perspective view of a cable conduit
showing the claimed design;
FIG. 2 is a top rear perspective view thereof;
FIG. 3 is a side view thereof;
FIG. 4 is another side view thereof;
FIG. 5 is another side view thereof;
FIG. 6 is another side view thereof; and,
FIG. 7 is a top view thereof.
The shade lines in the drawings show contour and not
surface ornamentation.

(Continued)



The broken lines in the figures show portions of the cable conduit that form no part of the claimed design.

1 Claim, 2 Drawing Sheets

(56)

References Cited

U.S. PATENT DOCUMENTS

4,024,691	A *	5/1977	Hansen	E06B 3/9645 403/402
D304,904	S	12/1989	Kercher		
4,951,716	A	8/1990	Tsunoda et al.		
4,982,547	A *	1/1991	Stolle	E06B 3/9682 403/295
5,091,607	A *	2/1992	Stob	H02G 3/288 174/492
5,336,849	A	8/1994	Whitney		
5,649,382	A *	7/1997	O'Keefe	G09F 1/12 40/785
5,736,673	A *	4/1998	Lee	H02G 3/26 174/135
5,753,855	A	5/1998	Nicoli et al.		
D413,306	S	8/1999	Scherer et al.		
D447,737	S	9/2001	Scherer et al.		
6,329,493	B1	12/2001	El-Hibri et al.		
6,735,829	B2 *	5/2004	Hsu	A43C 3/00 24/130
D503,968	S *	4/2005	Ruddick	D23/262
D503,969	S	4/2005	Ruddick		
6,874,969	B2	4/2005	Jadaud et al.		
D504,938	S	5/2005	Ruddick		
7,045,707	B1	5/2006	Galasso		
D528,398	S *	9/2006	Meyer	D8/107
D539,752	S	4/2007	Ruddick		
D541,143	S	4/2007	Ruddick		
7,234,889	B2	6/2007	Gautier		
D552,221	S	10/2007	Beutler et al.		
D576,108	S	9/2008	Sayres et al.		
8,006,948	B2	8/2011	Wents		

D649,017	S *	11/2011	Stieler	D8/356
D669,035	S *	10/2012	Ruddick	D13/155
D683,318	S *	5/2013	Ruddick	D13/155
D688,252	S *	8/2013	Paul	D14/205
D703,151	S *	4/2014	Ruddick	D13/155
D720,702	S	1/2015	Baldwin et al.		
D729,177	S	5/2015	Baldwin et al.		
D754,612	S *	4/2016	Ruddick	D13/155
9,394,033	B2 *	7/2016	Firing	B63B 21/04
2002/0006312	A1	1/2002	Buard		
2005/0217883	A1 *	10/2005	Ewer	H02G 3/0418 174/481

FOREIGN PATENT DOCUMENTS

EM	000109665-0001	3/2004
EM	000109673-0001	3/2004
EM	000109673-0002	3/2004
EM	000109673-0003	3/2004
EM	000109673-0004	3/2004
EM	000109673-0005	3/2004
EM	000109673-0006	3/2004
EM	000109673-0007	3/2004
EM	000109673-0008	3/2004
EM	000151873-0001	6/2004
EM	000139985-0001	7/2004
EM	000139985-0002	7/2004
EM	000139985-0003	7/2004
EM	000281274-0001	3/2005
EM	000281274-0002	3/2005
EM	000281274-0003	3/2005
EM	000281274-0004	3/2005
EM	000281274-0005	3/2005
EM	000281274-0006	3/2005
EM	000379946-0001	9/2005
EM	000379946-0002	9/2005
EM	000379946-0003	9/2005
EM	000379946-0004	9/2005
EM	001680091-0001	3/2010
EM	001680091-0002	3/2010
EM	001680091-0003	3/2010
EM	001680091-0004	3/2010

* cited by examiner

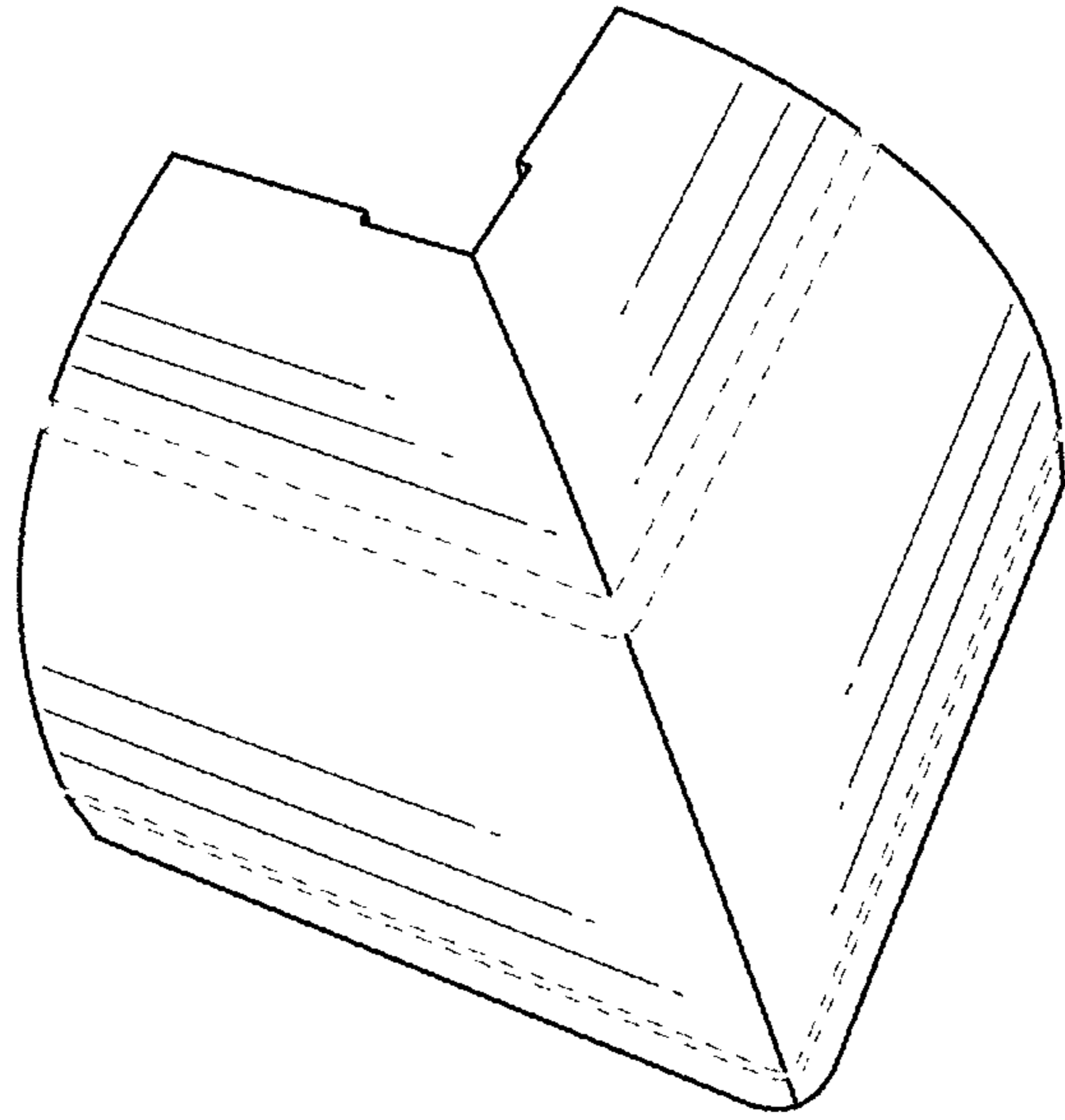


FIG. 1

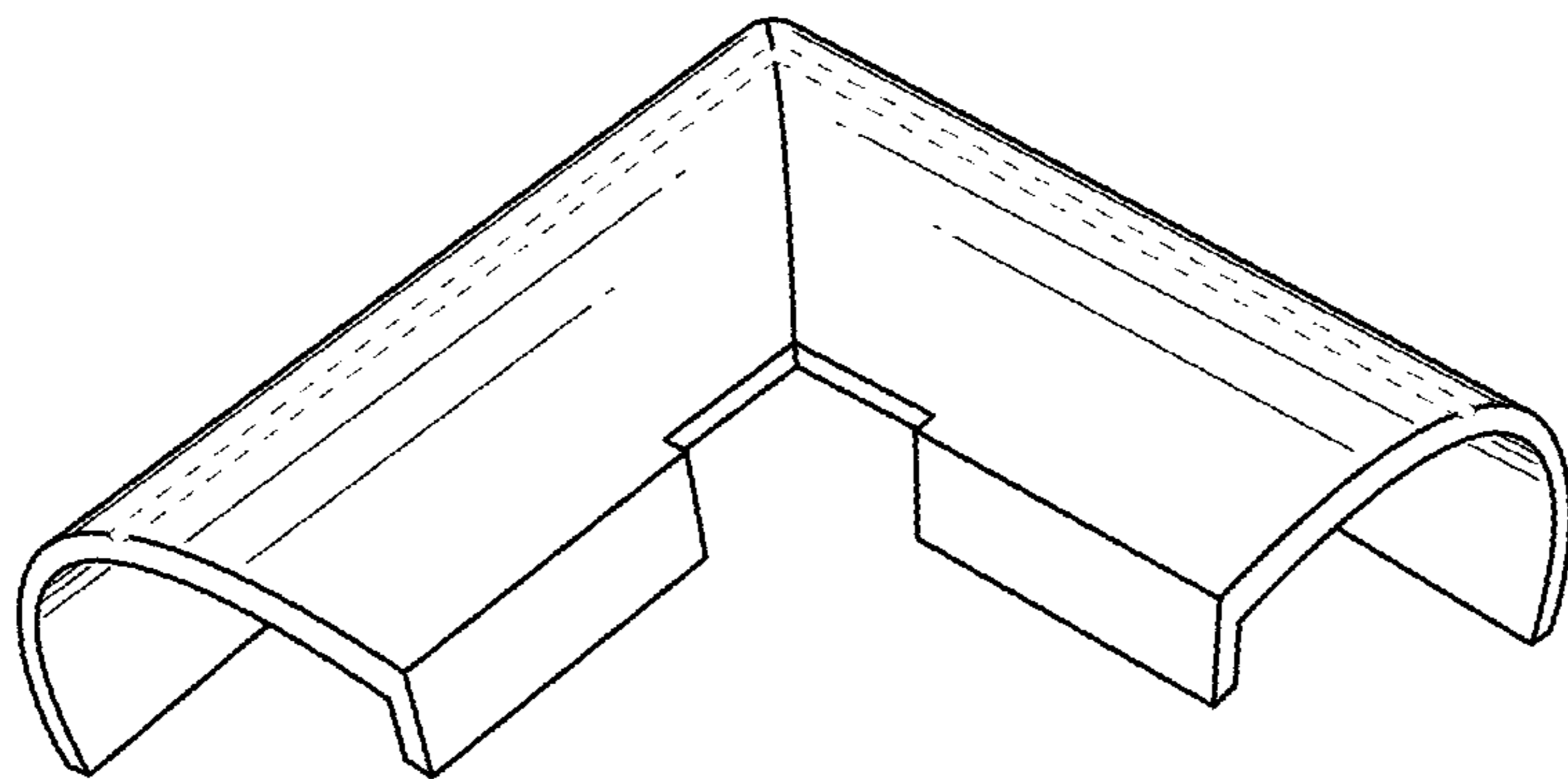


FIG. 2

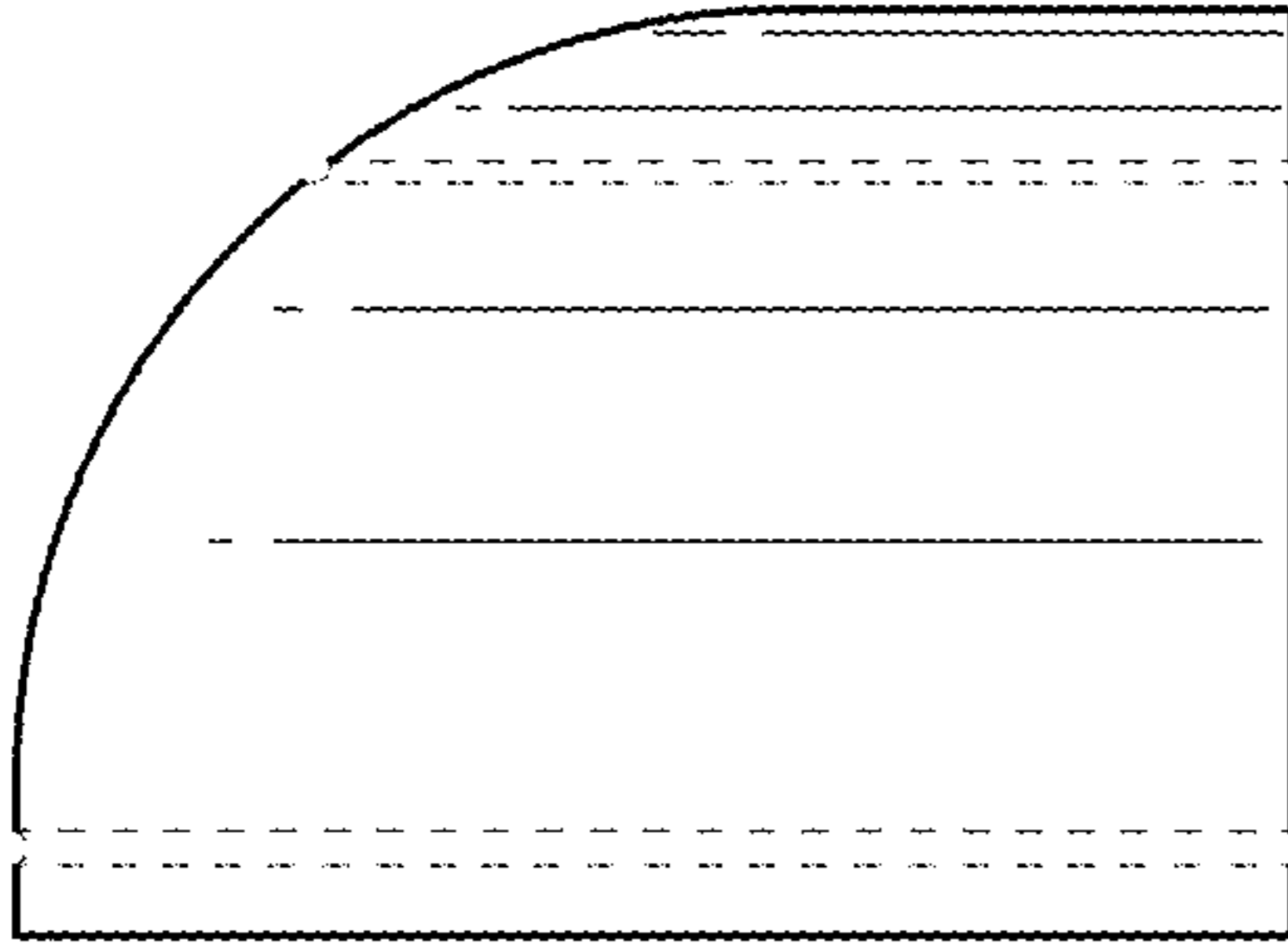


FIG. 3

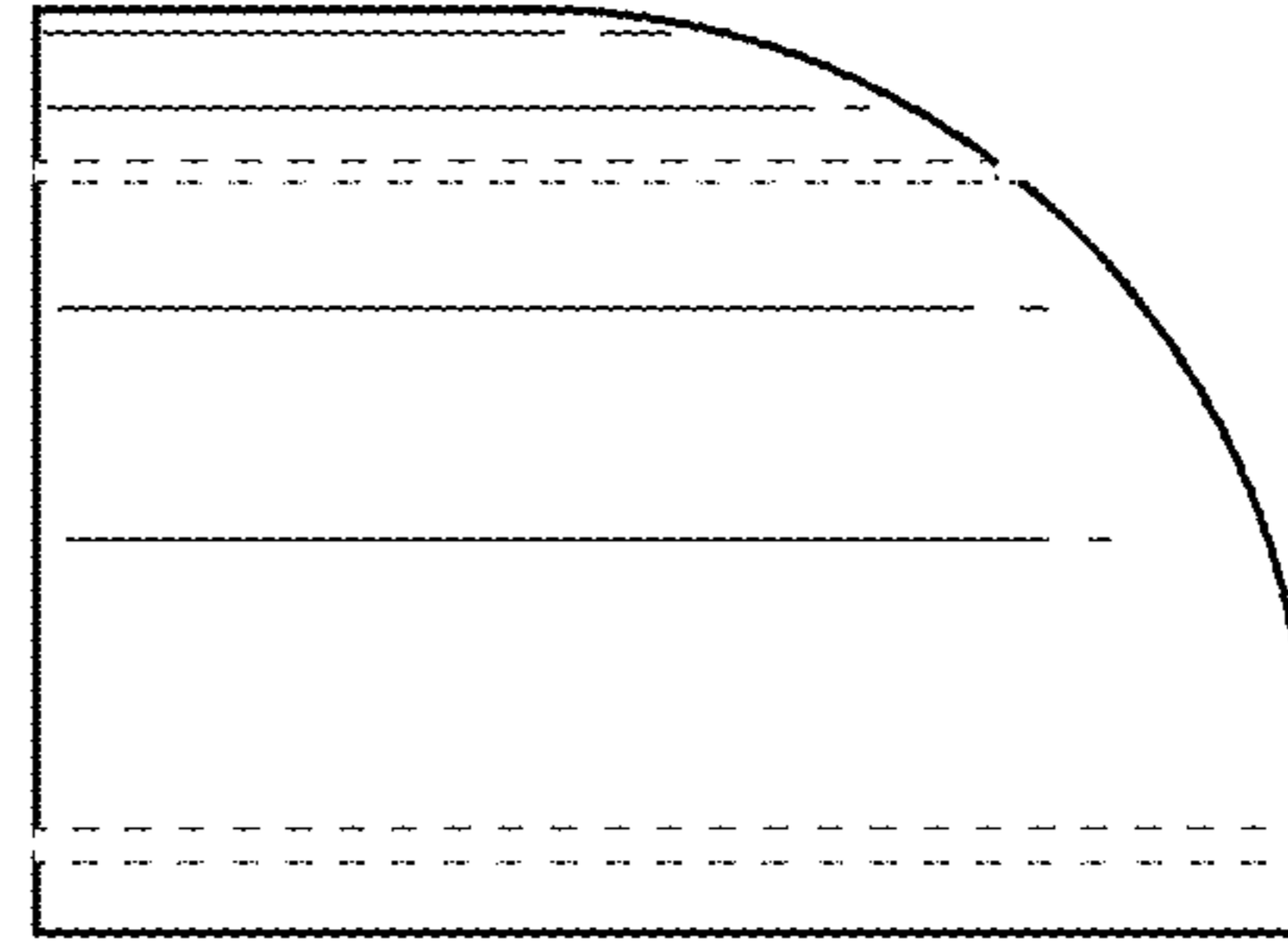


FIG. 4

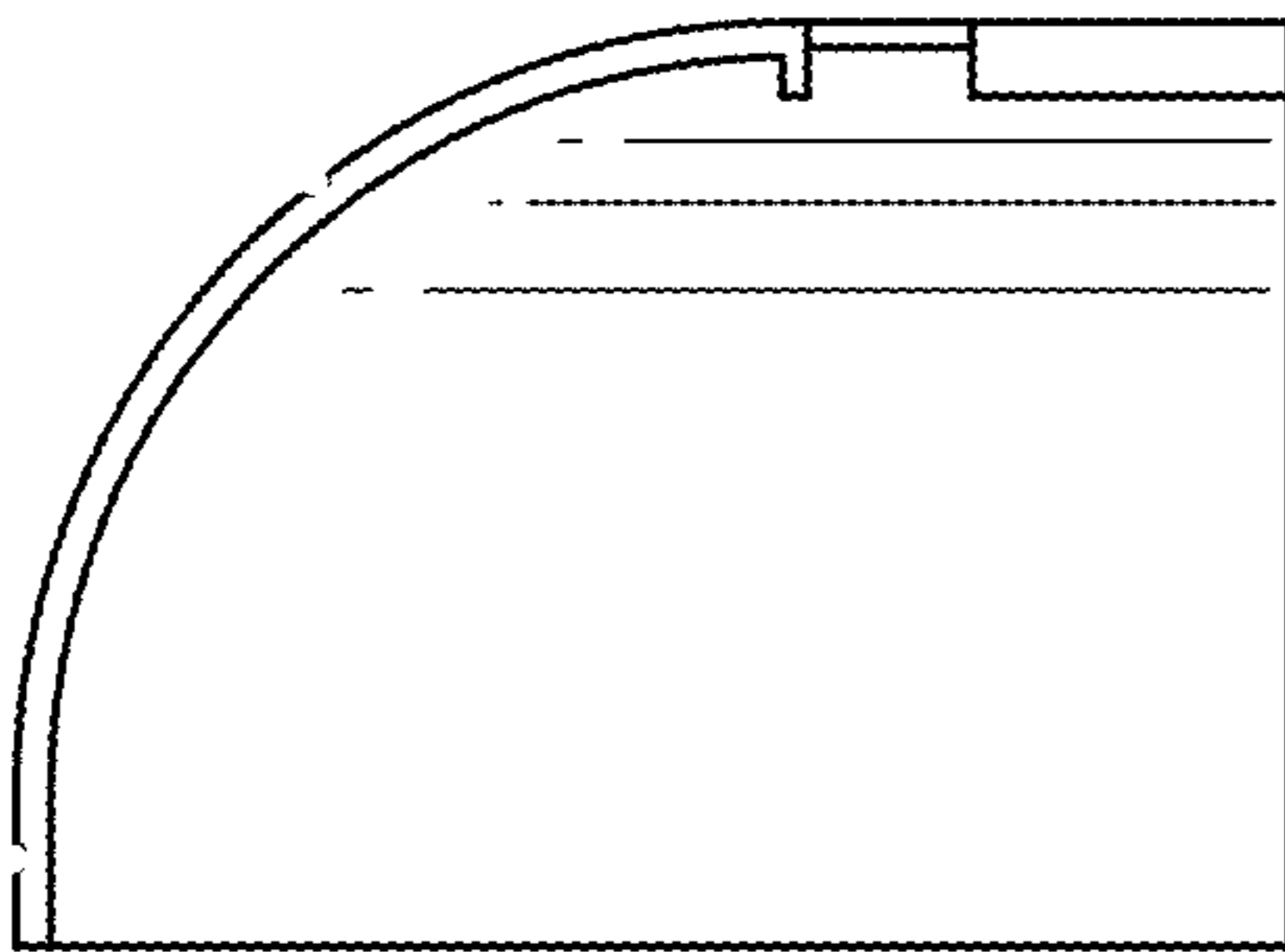


FIG. 5

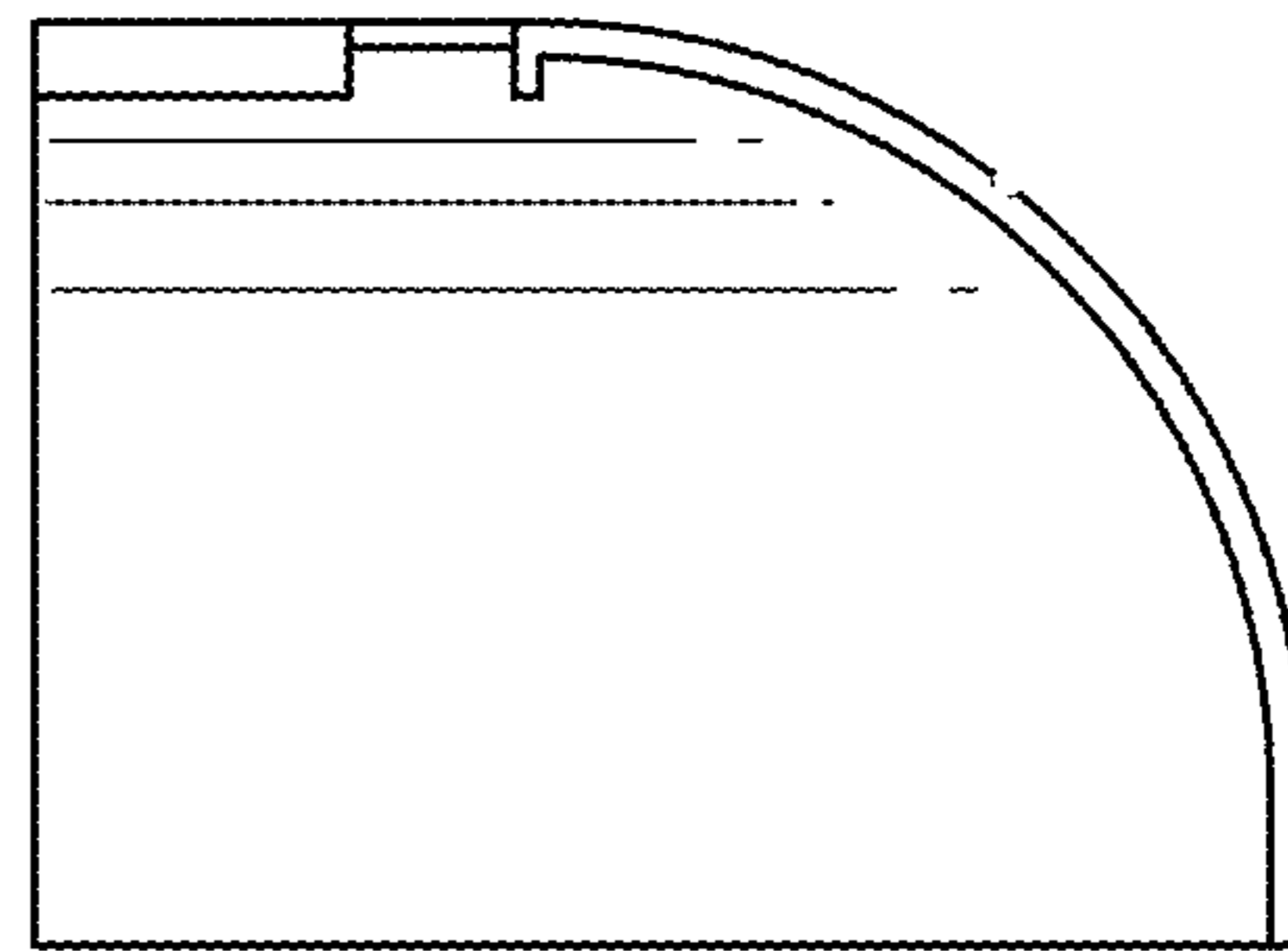


FIG. 6

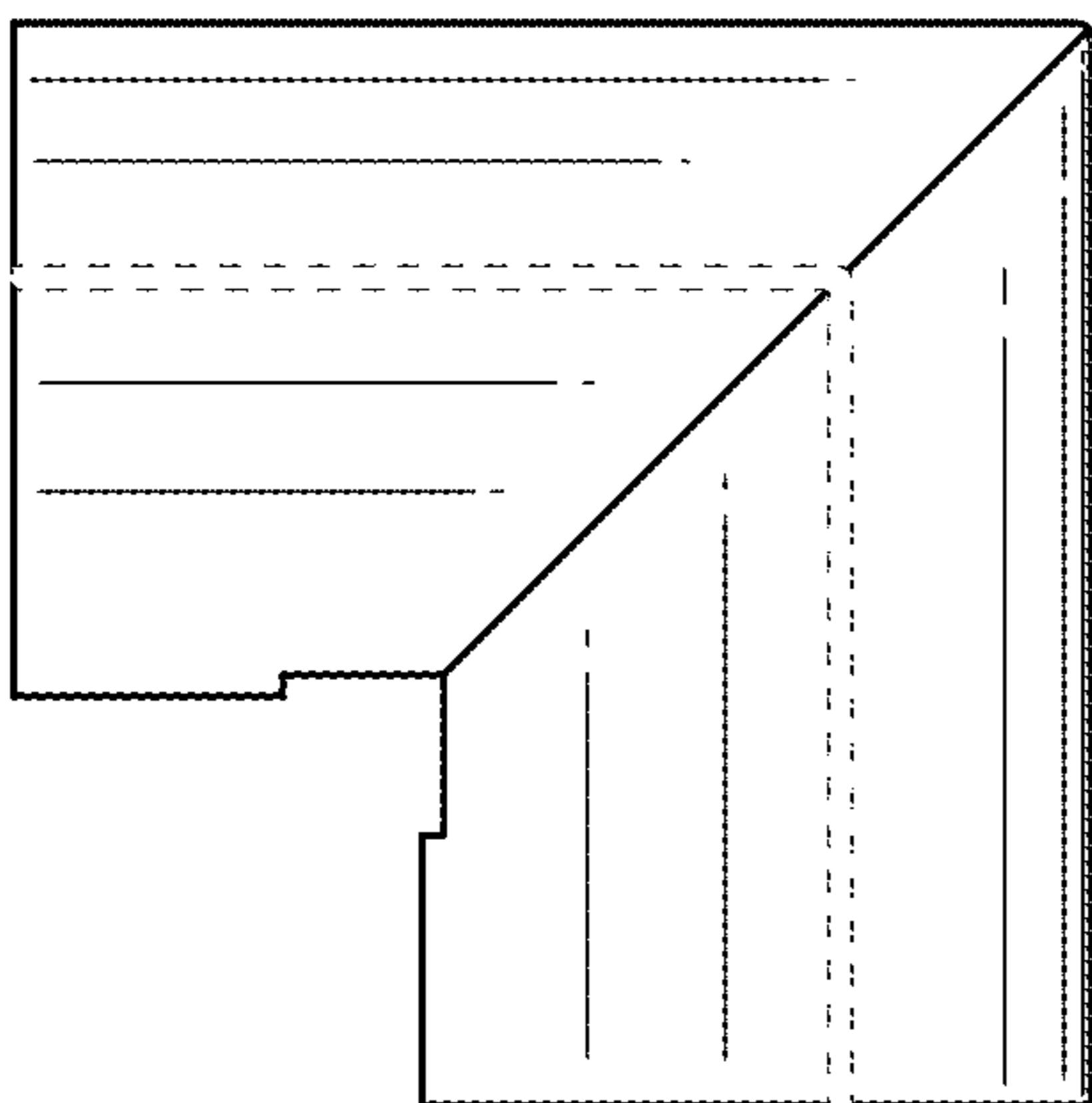


FIG. 7