



US00D790476S

(12) **United States Design Patent**
Landqvist

(10) **Patent No.:** **US D790,476 S**
(45) **Date of Patent:** **** Jun. 27, 2017**

(54) **CONDUIT SEAL**

- (71) Applicant: **Roxtec AB**, Karlskrona (SE)
- (72) Inventor: **Jörgen Landqvist**, Karlskrona (SE)
- (73) Assignee: **Roxtec AB**, Karlskrona (SE)
- (**) Term: **14 Years**
- (21) Appl. No.: **29/507,153**
- (22) Filed: **Oct. 24, 2014**

(30) **Foreign Application Priority Data**

Apr. 25, 2014 (EM) 002453464

- (51) **LOC (10) Cl.** **13-03**
- (52) **U.S. Cl.**
USPC **D13/155**

(58) **Field of Classification Search**

USPC D13/155, 133, 146, 149, 151, 153, 154,
D13/156, 184, 199; D8/349, 354, 356,
D8/394, 396; D23/259, 262, 386;
174/68.1, 68.3, 145, 154, 158 R, 650,
174/655, 656, 657, 659, 665, 666;
439/142, 319, 544, 552, 709, 724, 798,
439/810, 811, 814
CPC .. H02G 3/04; H02G 3/06; H02G 3/18; H02G
3/22; H01R 9/05; H01R 4/00; H01R
13/44; H01R 13/52; H01R 13/60; H01R
13/504

See application file for complete search history.

(56) **References Cited**

U.S. PATENT DOCUMENTS

D222,469 S *	10/1971	Plummer	D13/155
4,323,088 A *	4/1982	McClellan	F16L 59/135 138/106
5,192,039 A *	3/1993	Williams	F16L 59/135 138/107
D590,022 S *	4/2009	Misumi	D20/28
7,790,252 B2 *	9/2010	Nematollahi	B32B 5/28 428/34.7
8,074,945 B2 *	12/2011	Schoenau	F16L 3/222 248/316.6
D663,697 S *	7/2012	Shen	D13/155

* cited by examiner

Primary Examiner — Derrick Holland

(74) *Attorney, Agent, or Firm* — Merchant & Gould P.C.

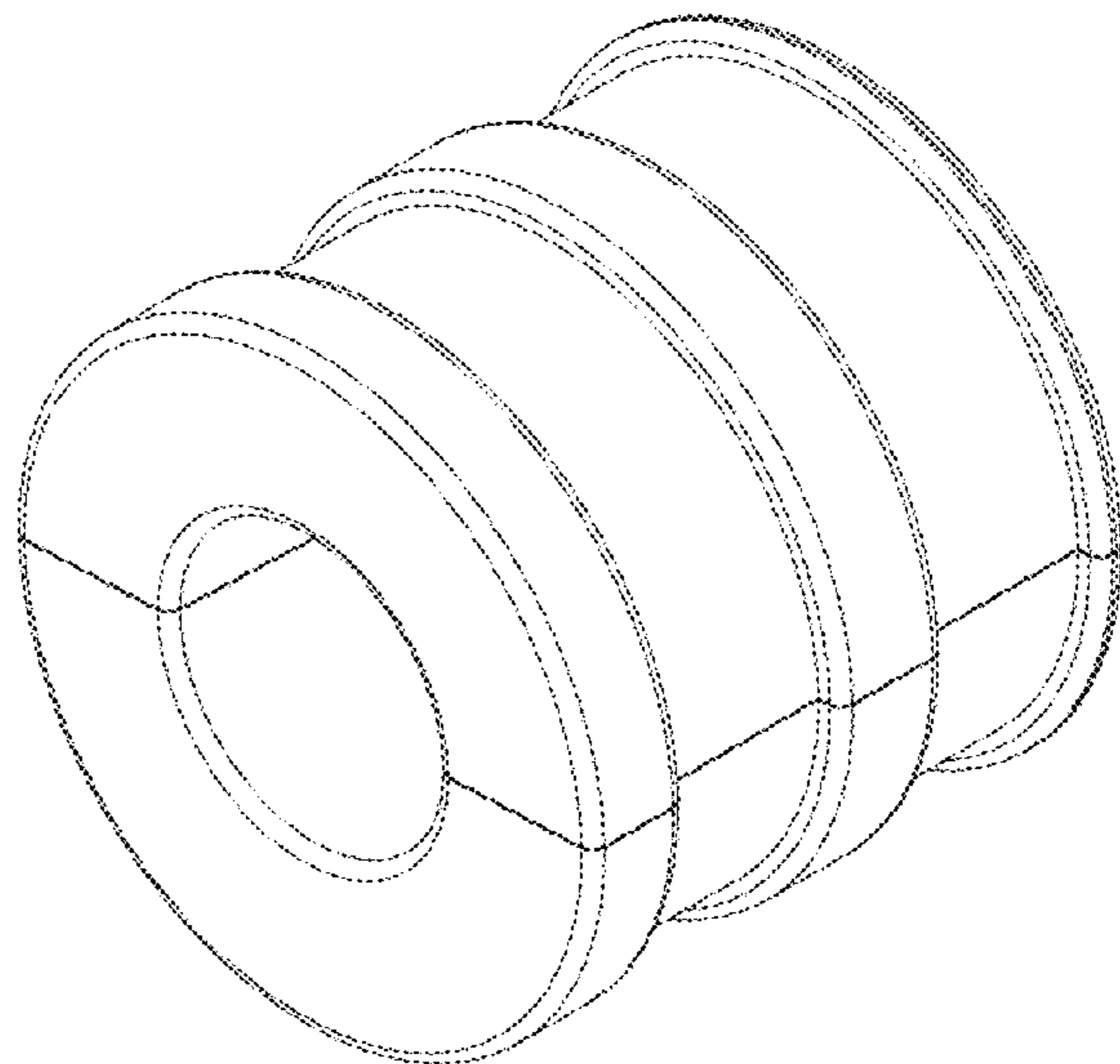
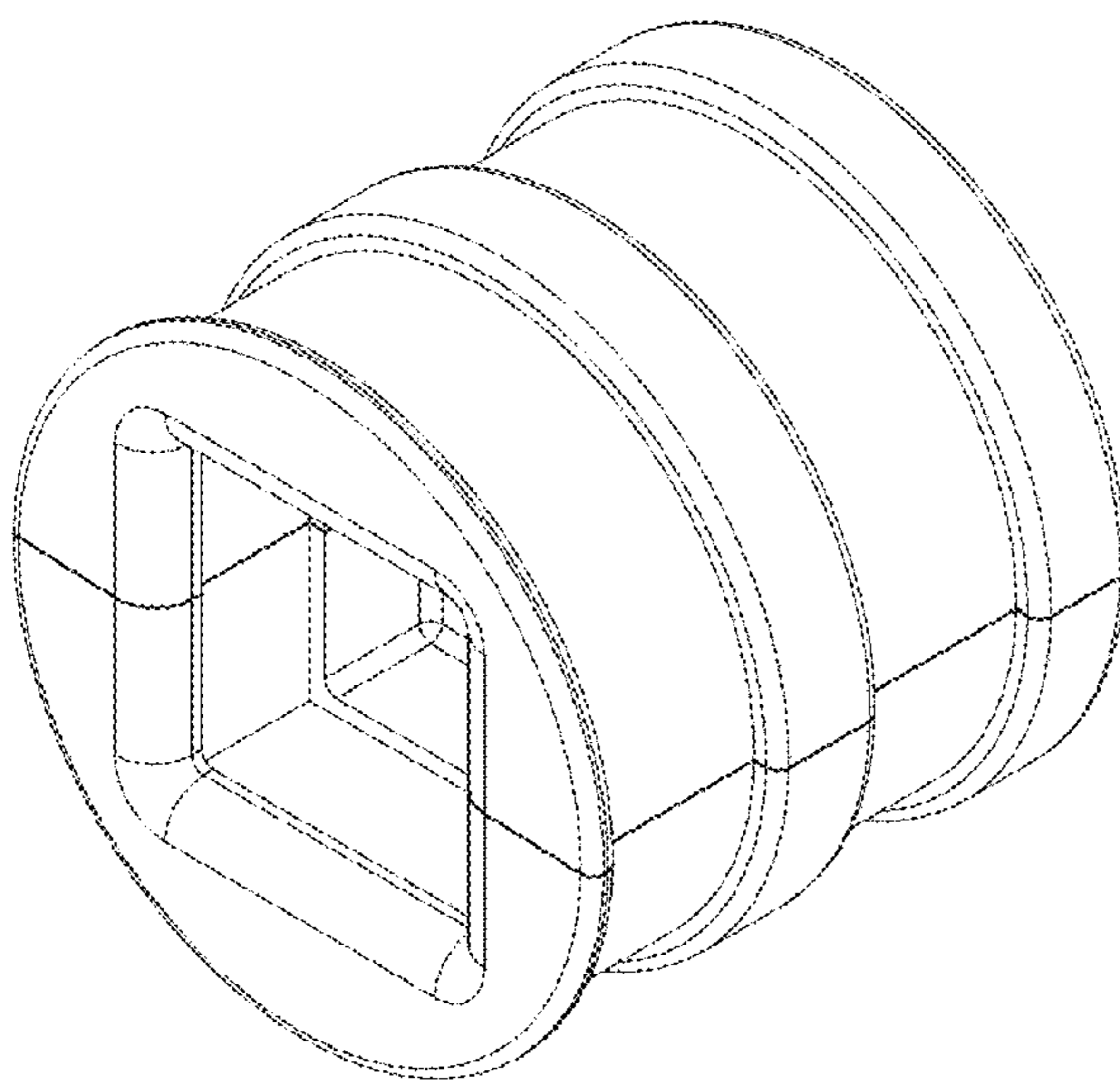
(57) **CLAIM**

The ornamental design for a conduit seal, as shown and described.

DESCRIPTION

FIG. 1 is a perspective front view of a conduit seal.
FIG. 2 is a perspective back view showing the conduit seal in FIG. 1.
FIG. 3 is a back view of the conduit seal in FIG. 1.
FIG. 4 is a front view of the conduit seal in FIG. 1.
FIG. 5 is a perspective front view of a first part of the conduit seal of FIG. 1, shown separated for ease of illustration; and, FIG. 6 is a perspective back view of a second part of the conduit seal of FIG. 1, shown separated for each of illustration.

1 Claim, 6 Drawing Sheets



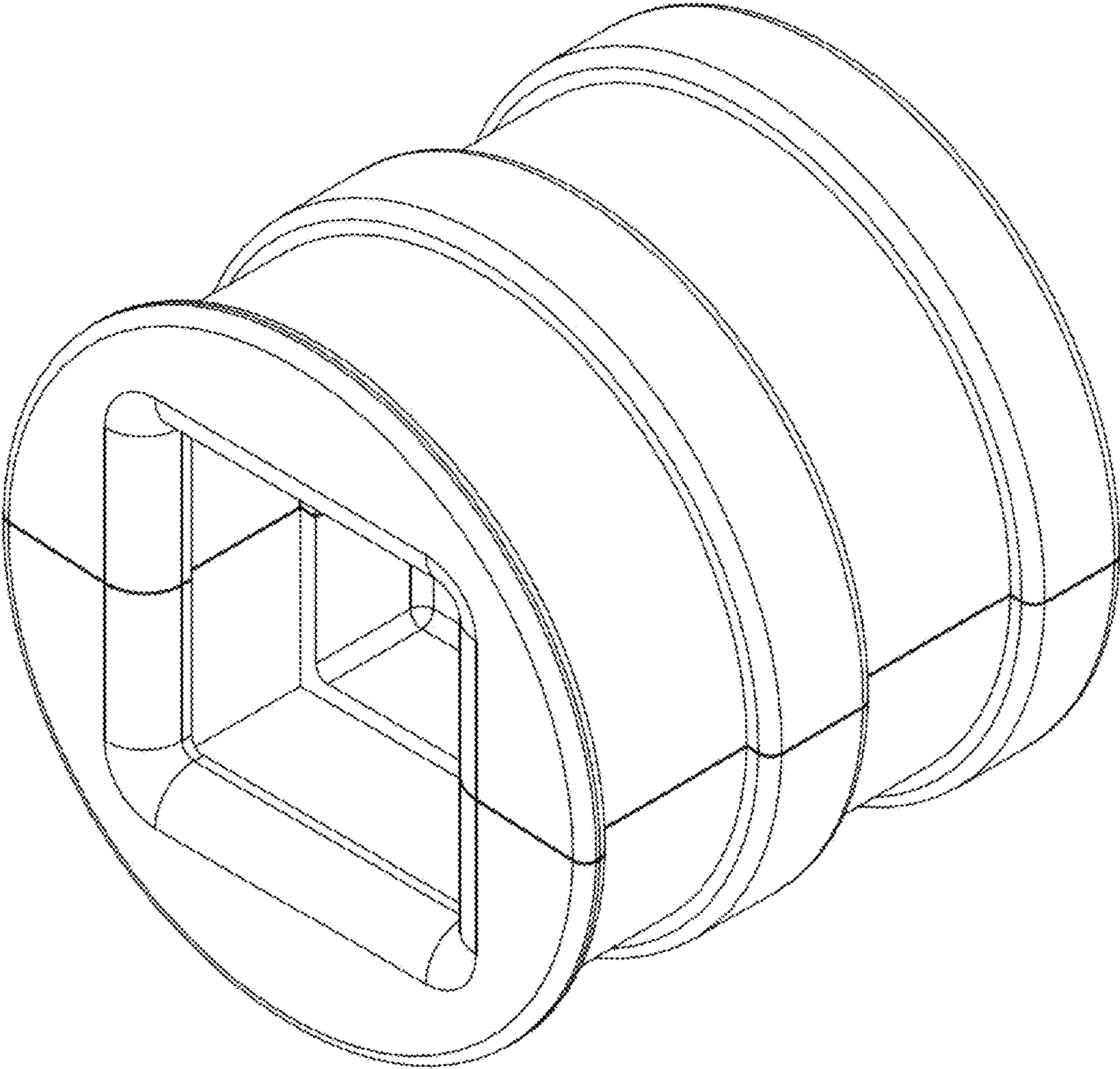


FIGURE 1

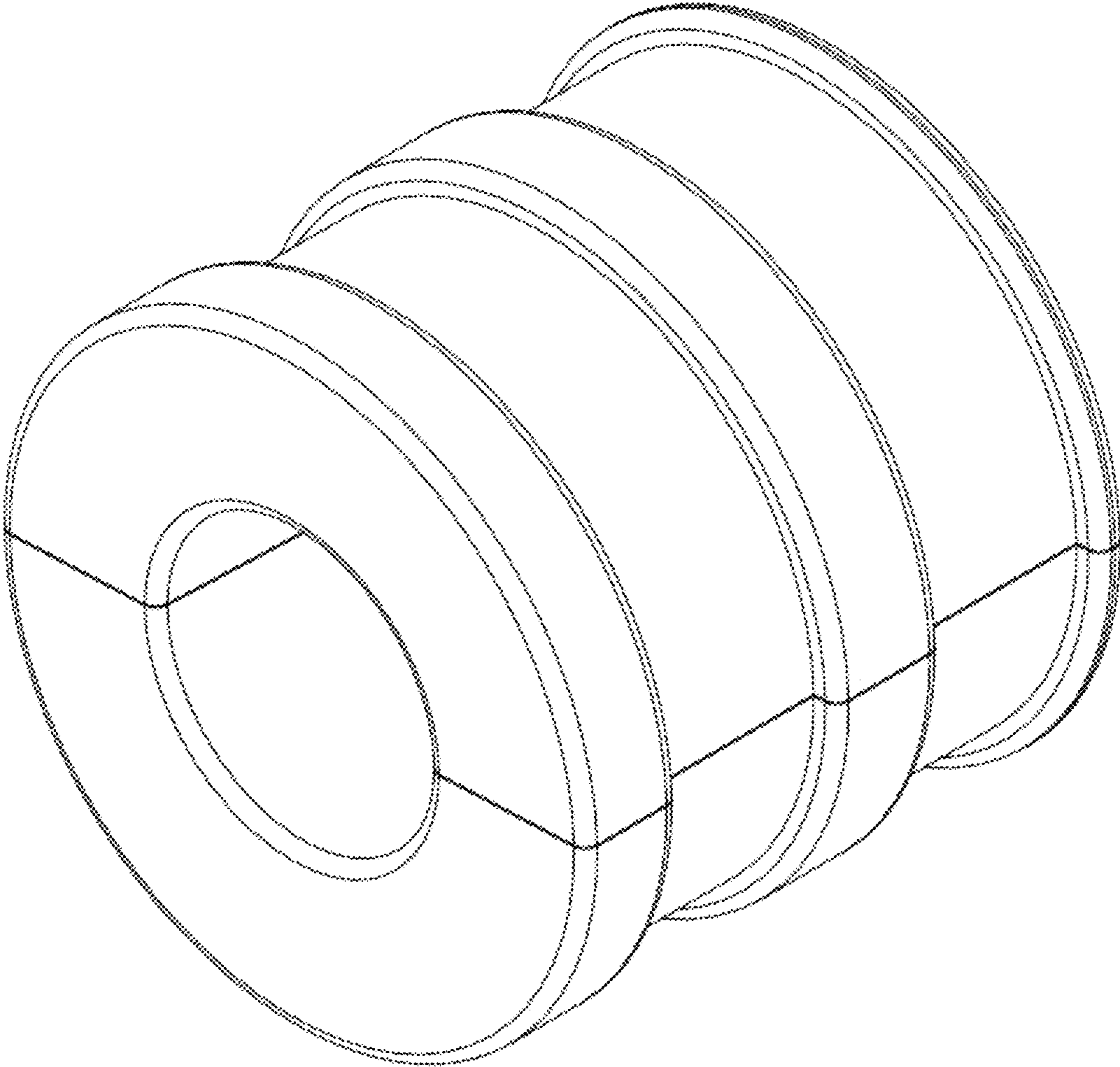


FIGURE 2

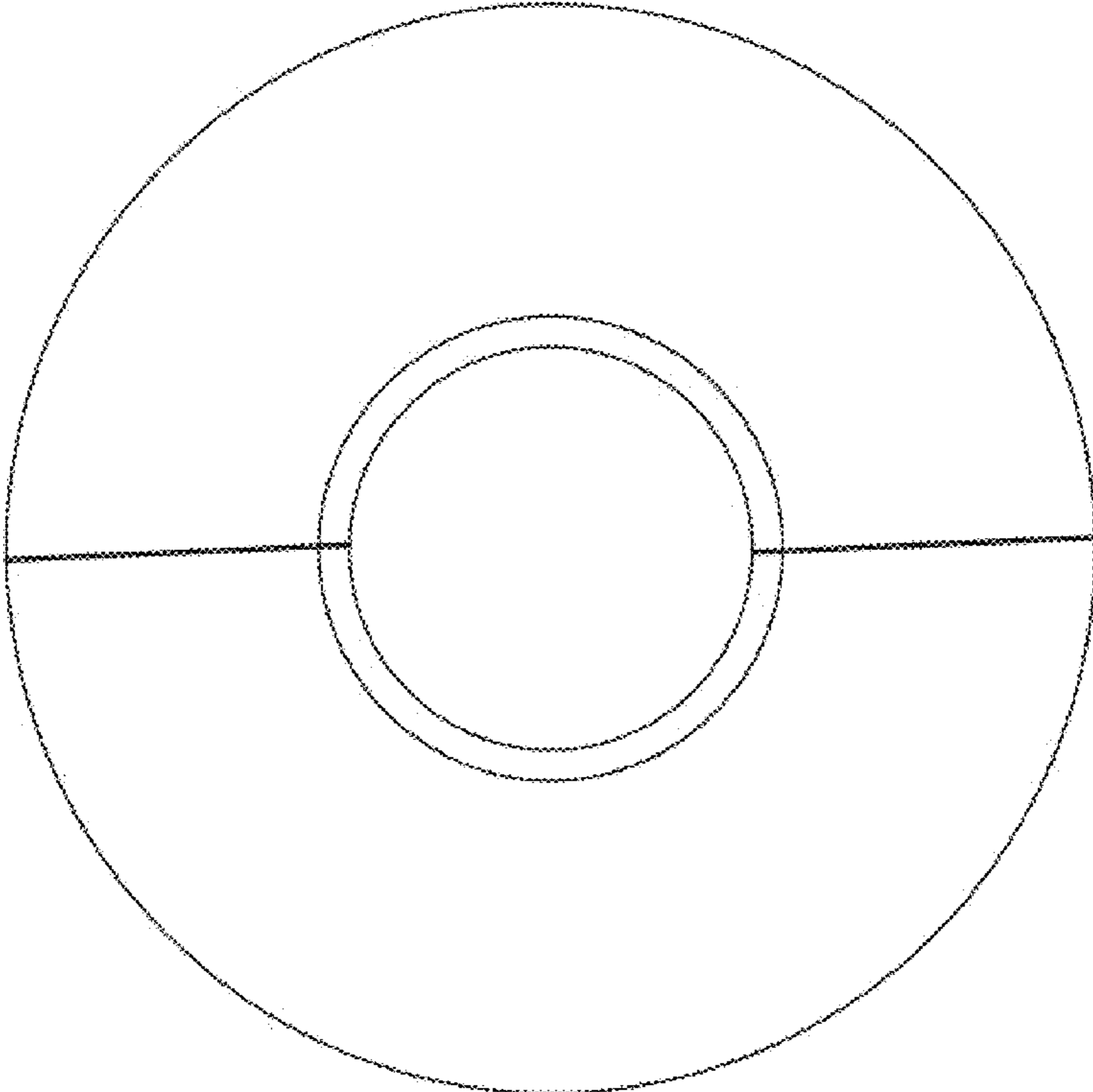


FIGURE 3

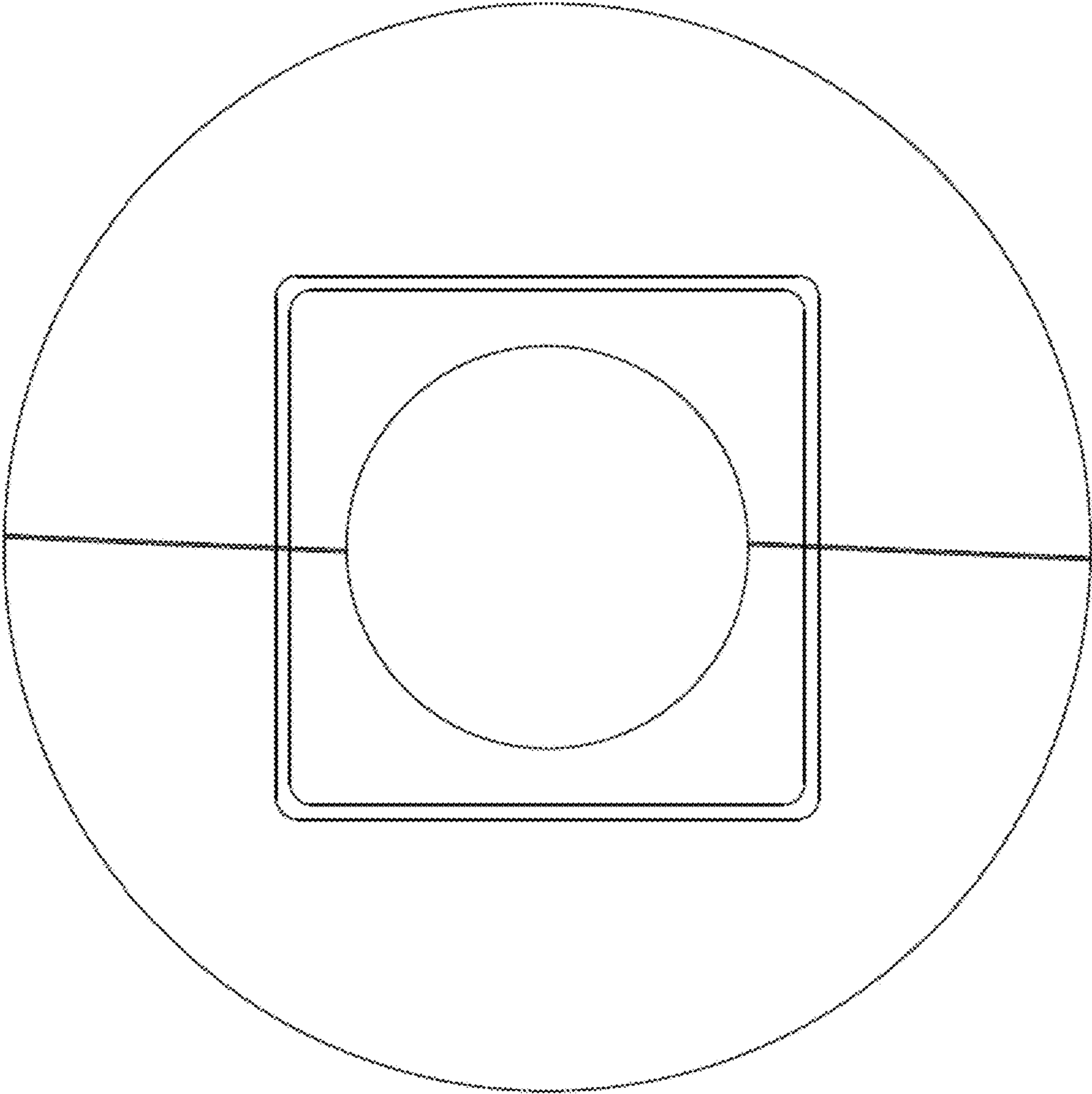


FIGURE 4

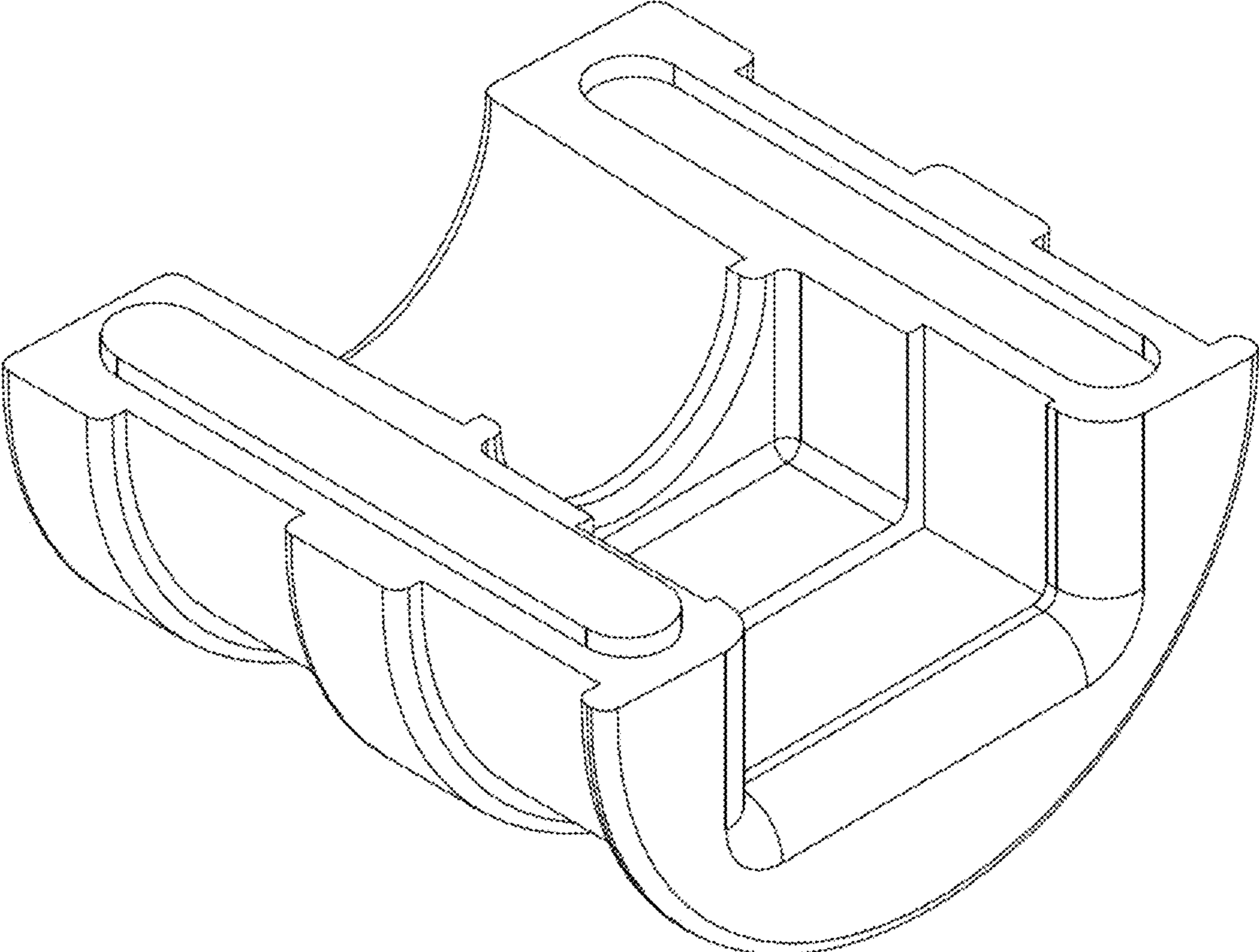


FIGURE 5

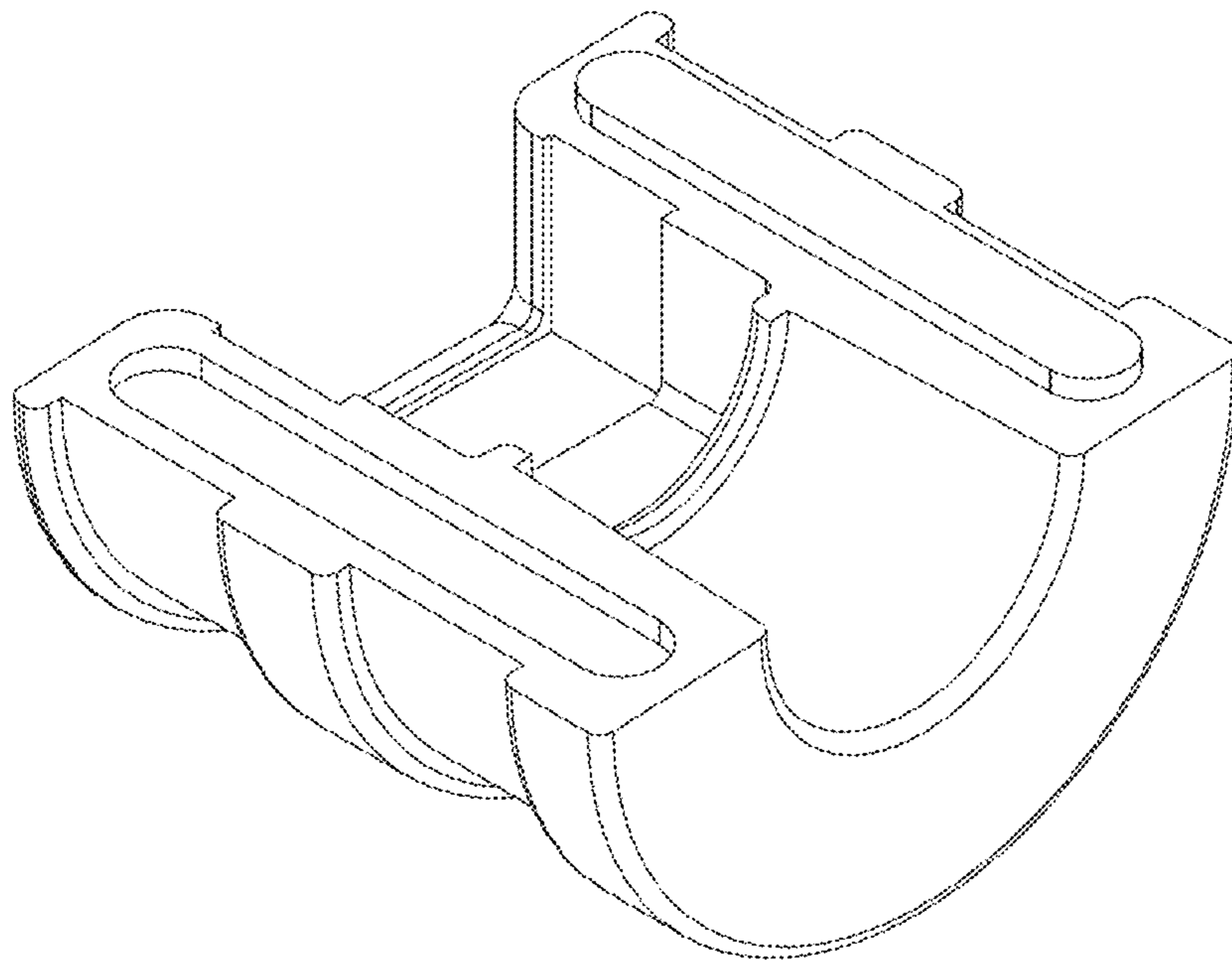


FIGURE 6