



US00D790474S

(12) **United States Design Patent**
Chen et al.

(10) **Patent No.:** **US D790,474 S**
(45) **Date of Patent:** **** Jun. 27, 2017**

(54) **BOARD ELECTRICAL CONNECTOR**

(71) Applicants: **Tarng Yu Enterprise co., ltd**, New Taipei (TW); **DELL Products L.P.**, Round Rock, TX (US)

(72) Inventors: **Tsung-Chi Chen**, New Taipei (TW); **Mu-Jung Huang**, New Taipei (TW)

(73) Assignees: **TARNG YU ENTERPRISE CO., LTD**, New Taipei (TW); **DELL PRODUCTS L.P.**, Round Rock, TX (US)

(**) Term: **15 Years**

(21) Appl. No.: **29/563,938**

(22) Filed: **May 9, 2016**

(30) **Foreign Application Priority Data**

Apr. 28, 2016 (TW) 105302311

(51) **LOC (10) Cl.** **13-03**

(52) **U.S. Cl.**
USPC **D13/147**

(58) **Field of Classification Search**

USPC D13/133, 146, 147, 154, 184, 199;
D14/432, 433, 435, 435.1, 436, 437, 438
CPC H01R 13/02; H01R 13/436; H01R 13/502;
H01R 13/504; H01R 13/506; H01R
13/514; H01R 13/5208; H01R 13/627;
H01R 13/639; H01R 13/6581; H01R
24/20; H01R 24/28

See application file for complete search history.

(56) **References Cited**

U.S. PATENT DOCUMENTS

D598,388 S *	8/2009	Peng	D13/147
D602,874 S *	10/2009	Tagawa	D13/147
D627,298 S *	11/2010	Huang	D13/147
D661,658 S *	6/2012	Wang	D13/147

* cited by examiner

Primary Examiner — Daniel Bui

(74) *Attorney, Agent, or Firm* — Chun-Ming Shih

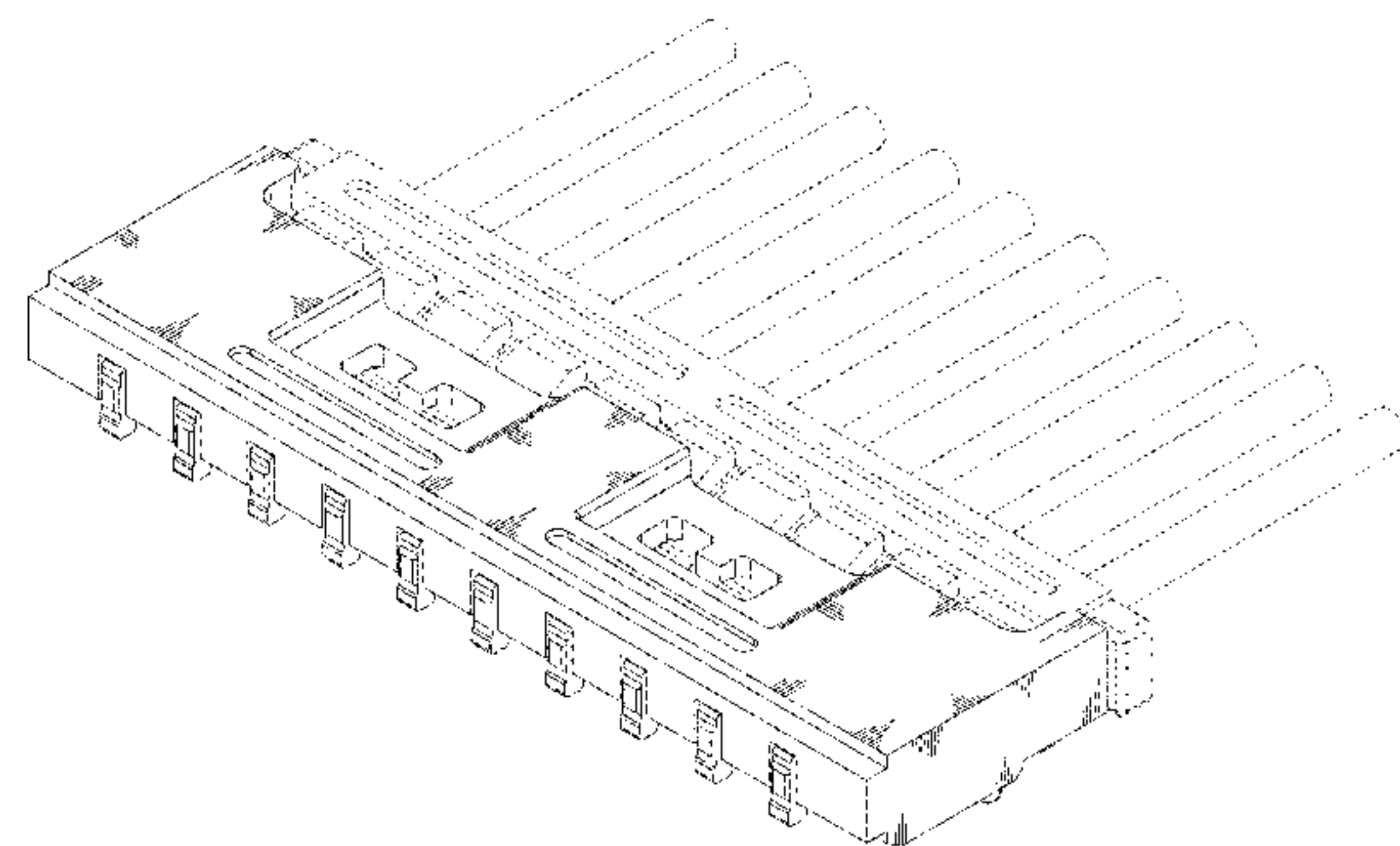
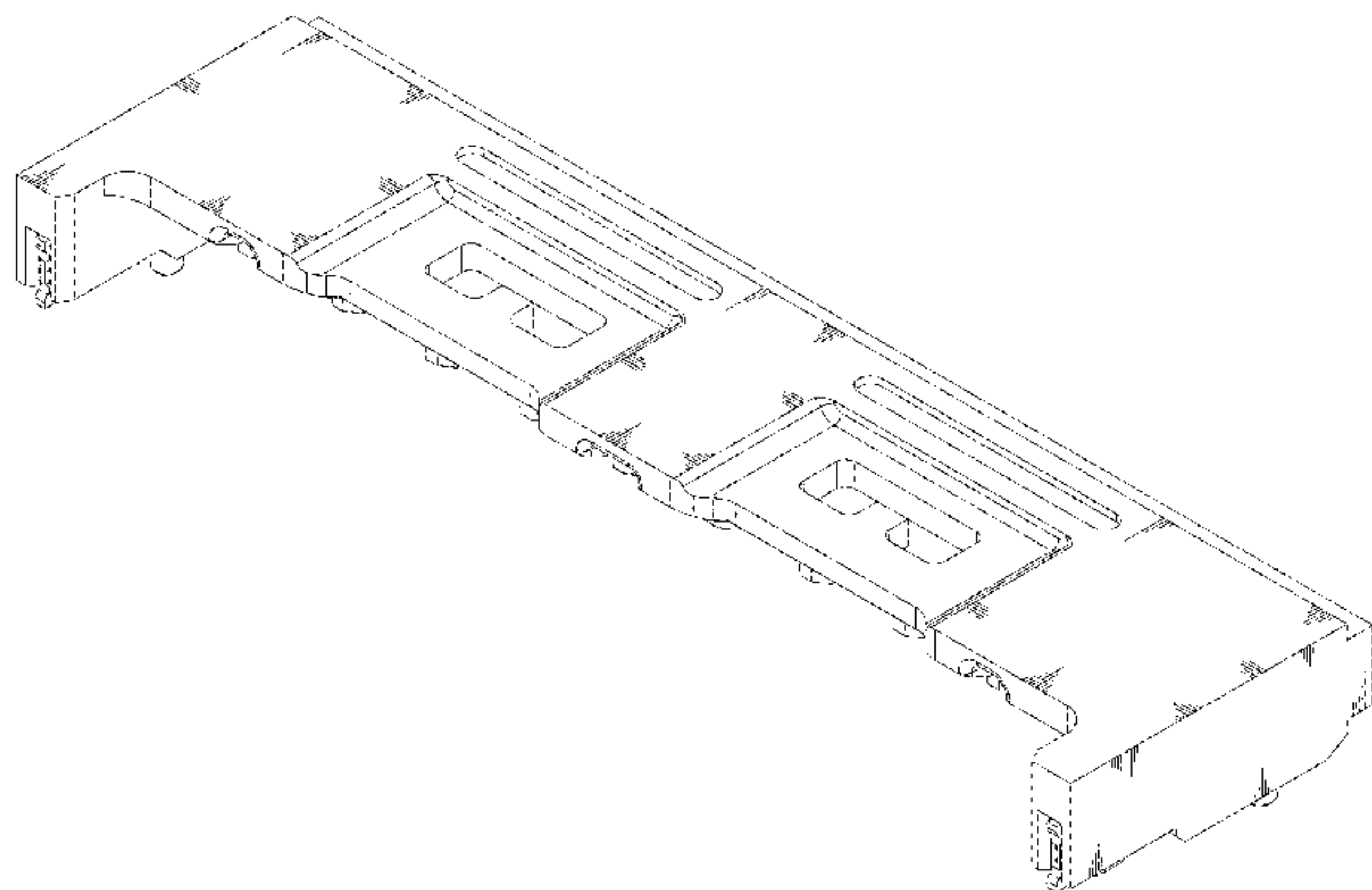
(57) **CLAIM**

The ornamental design for a board electrical connector, as shown and described.

DESCRIPTION

FIG. 1 is a front, top and right side perspective view of a board electrical connector showing our new design; FIG. 2 is a front elevation view thereof; FIG. 3 is a rear elevation view thereof; FIG. 4 is a left side elevation view thereof; FIG. 5 is a right side elevation view thereof; FIG. 6 is a top plan view thereof; FIG. 7 is a bottom plan view thereof; FIG. 8 is a front, bottom and right side perspective view thereof; FIG. 9 is a rear, top and left side perspective view thereof; FIG. 10 is a rear, top and left side perspective view thereof, in use condition; and, FIG. 11 is a front, top and right side perspective view thereof, in another use condition. The broken line in the drawing depicts unclaimed environmental subject matter only and forms no part of the claimed design.

1 Claim, 6 Drawing Sheets



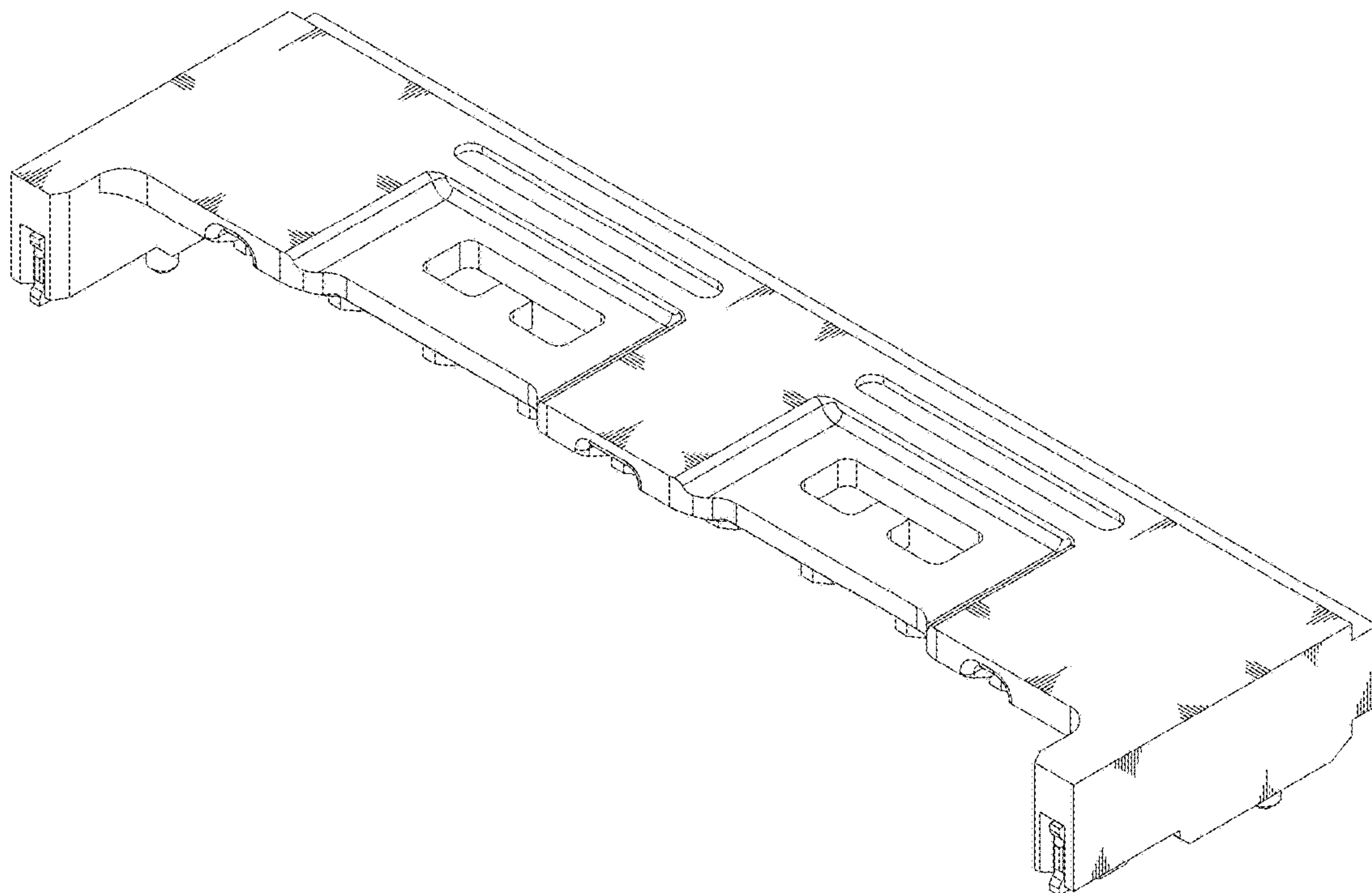


FIG. 1

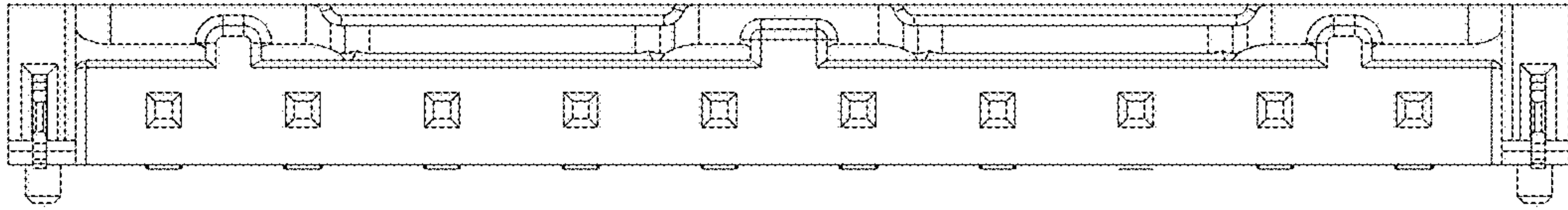


FIG. 2

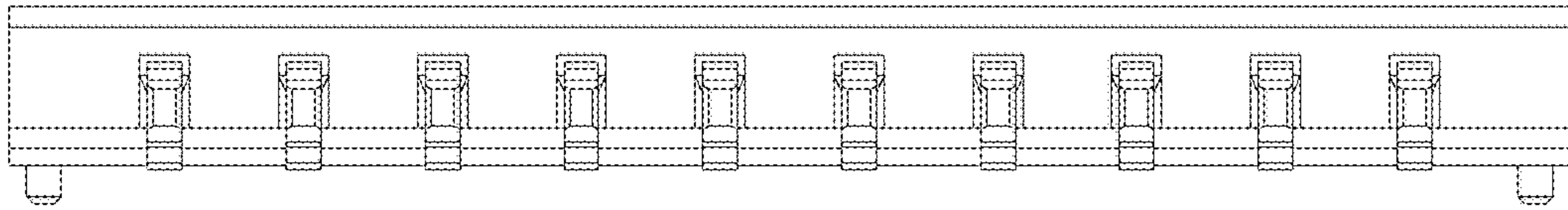


FIG. 3

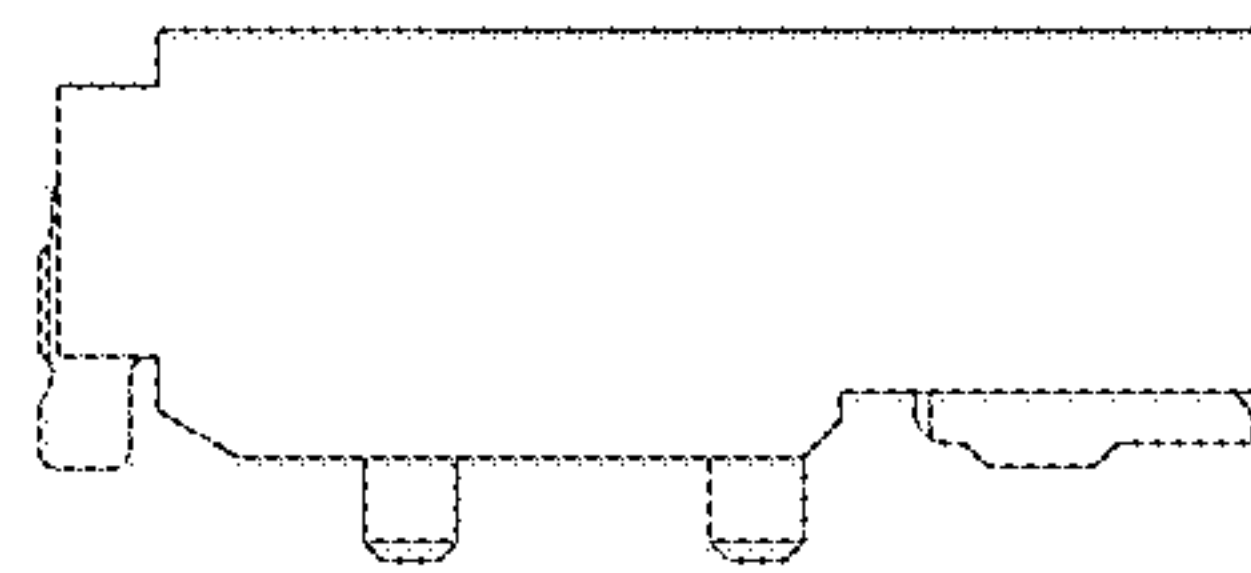


FIG. 4

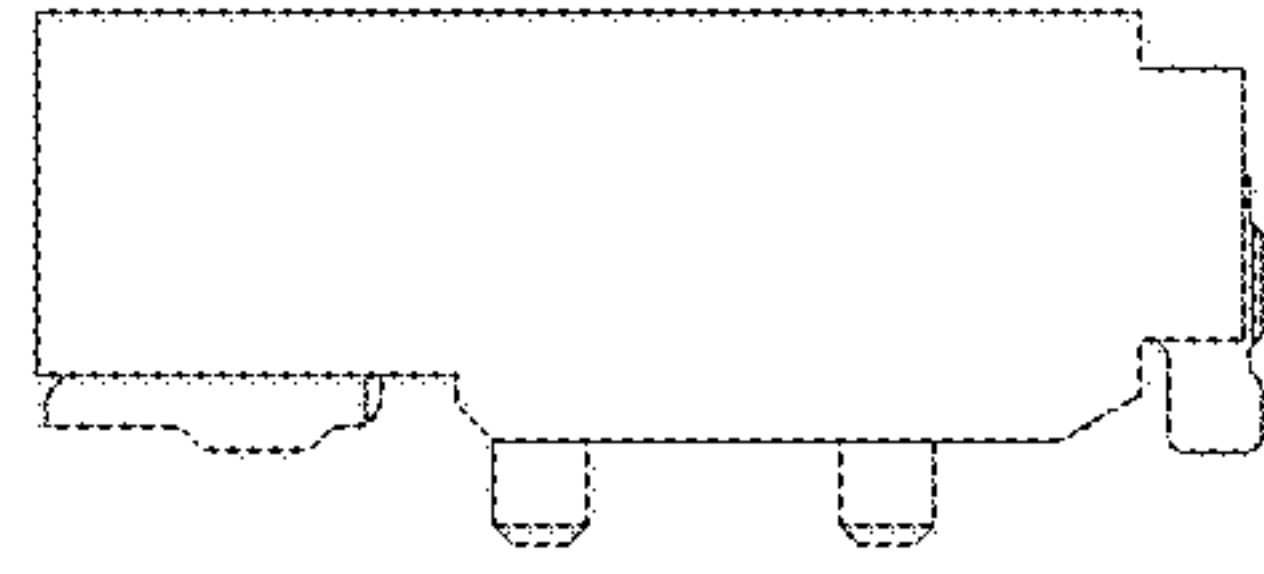


FIG. 5

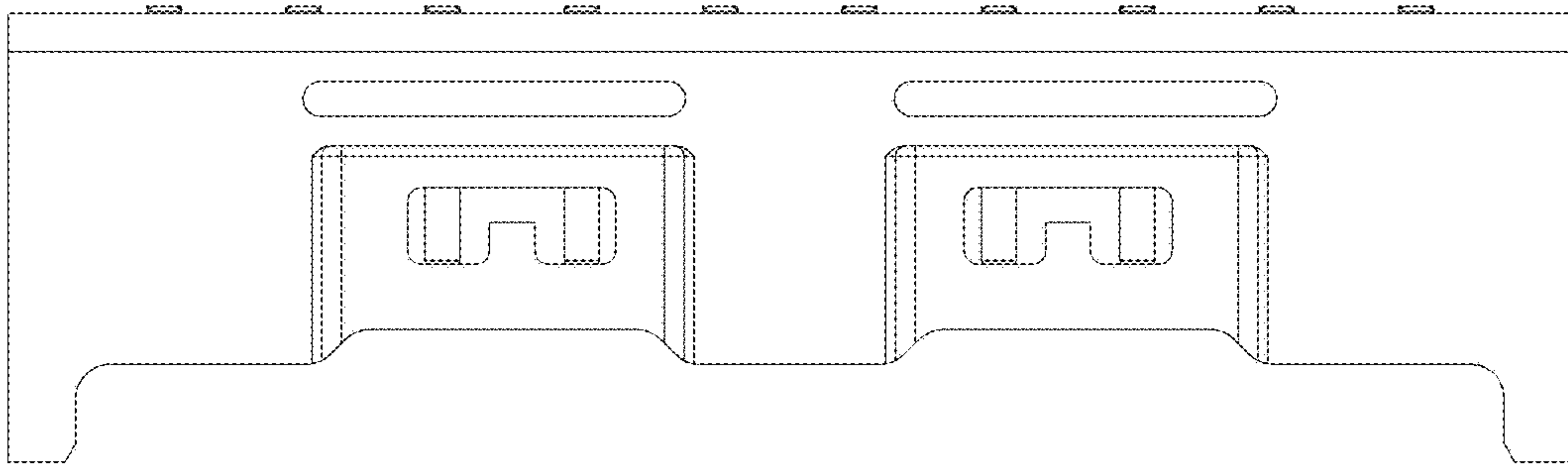


FIG. 6

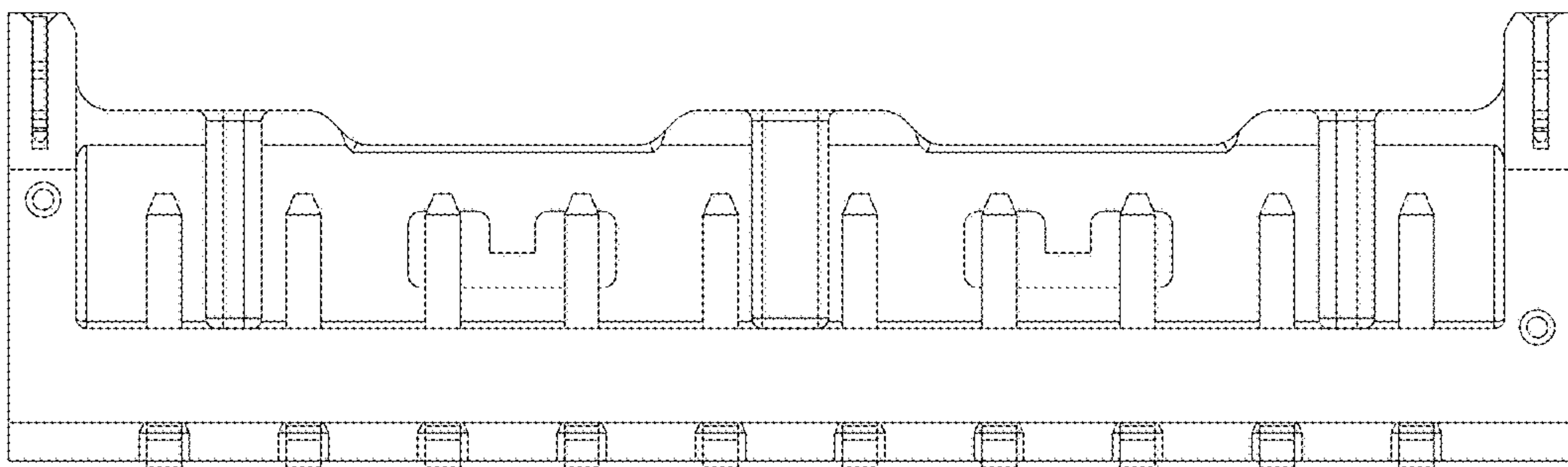


FIG. 7

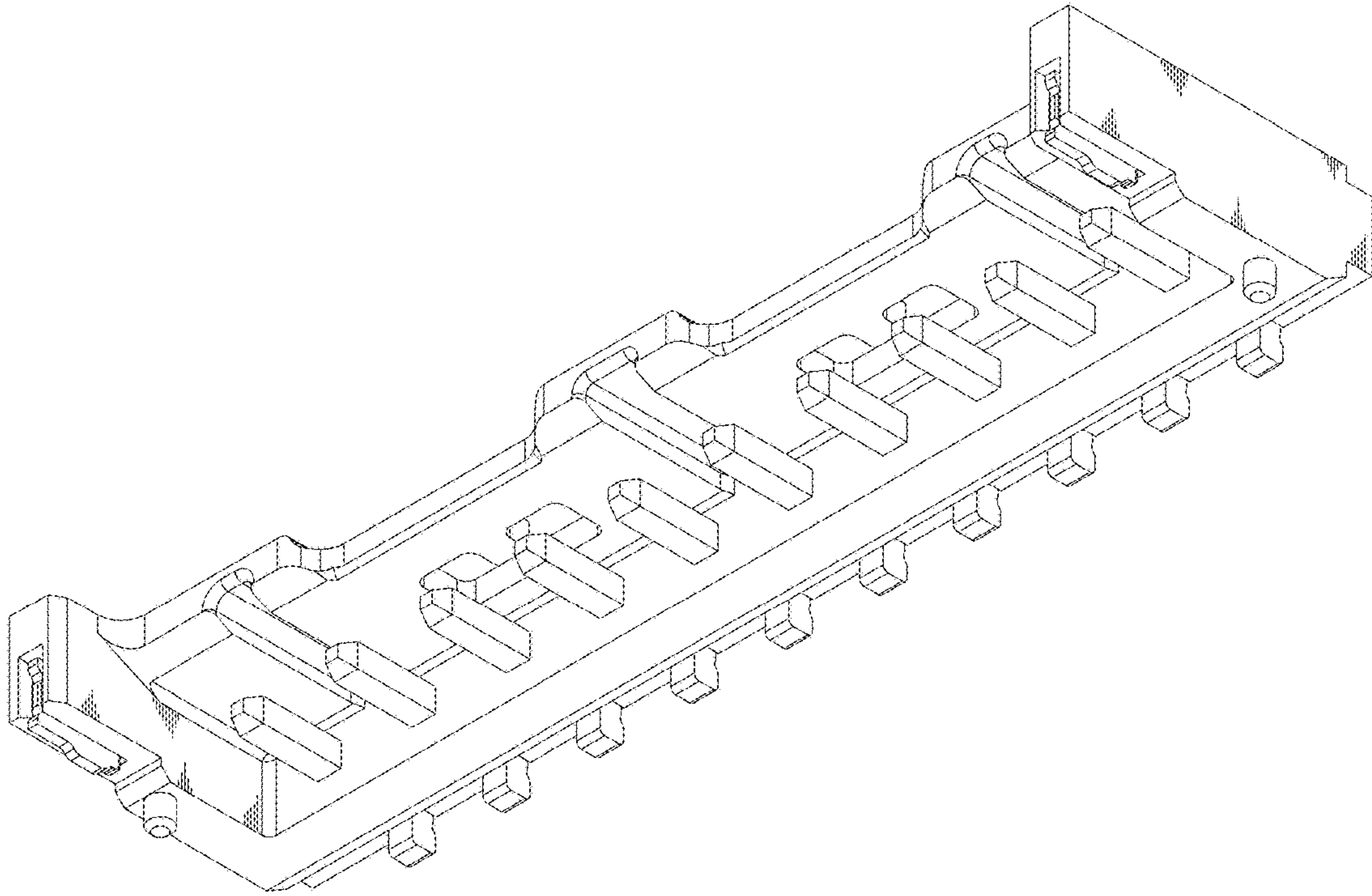


FIG. 8

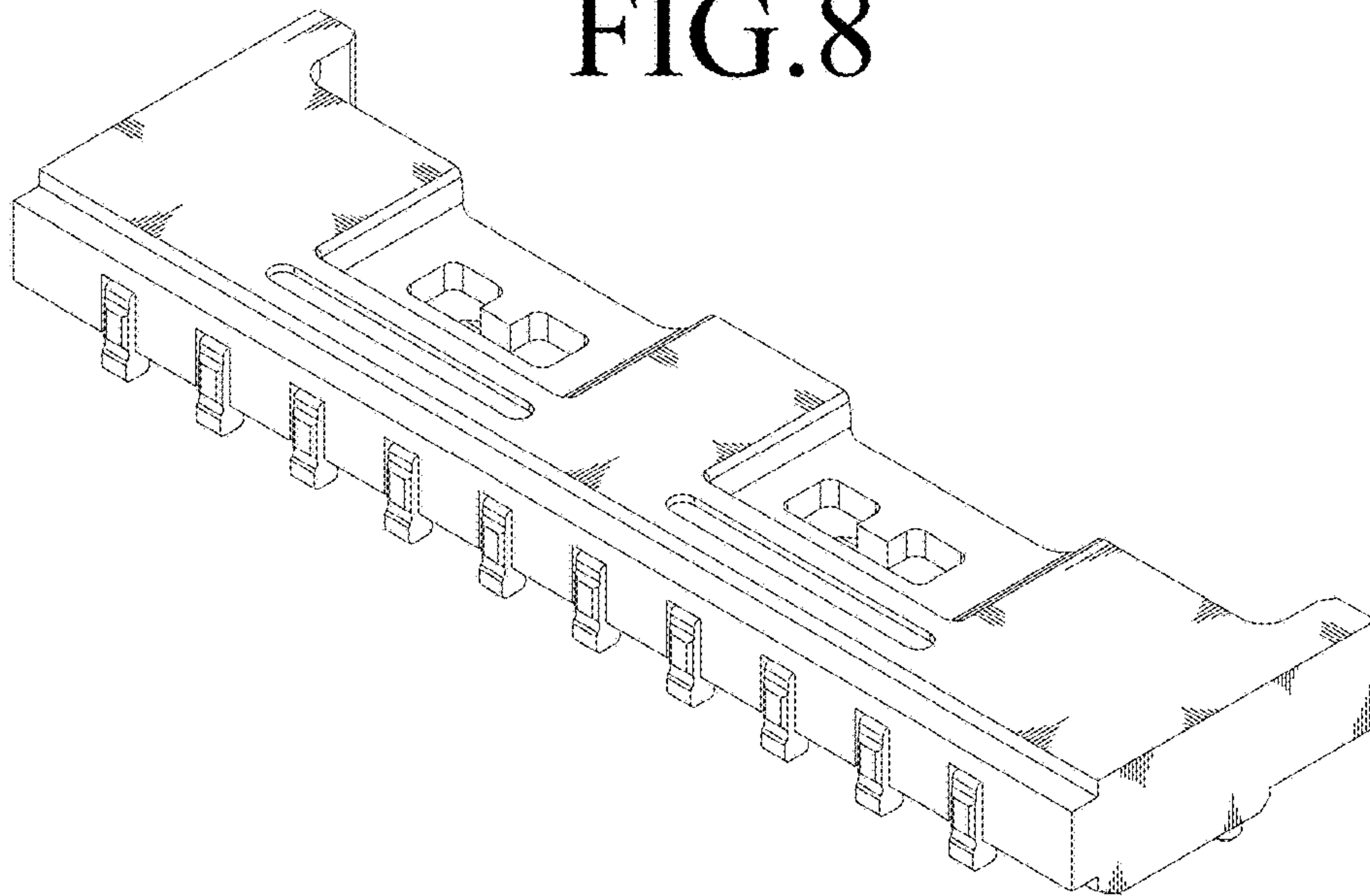


FIG. 9

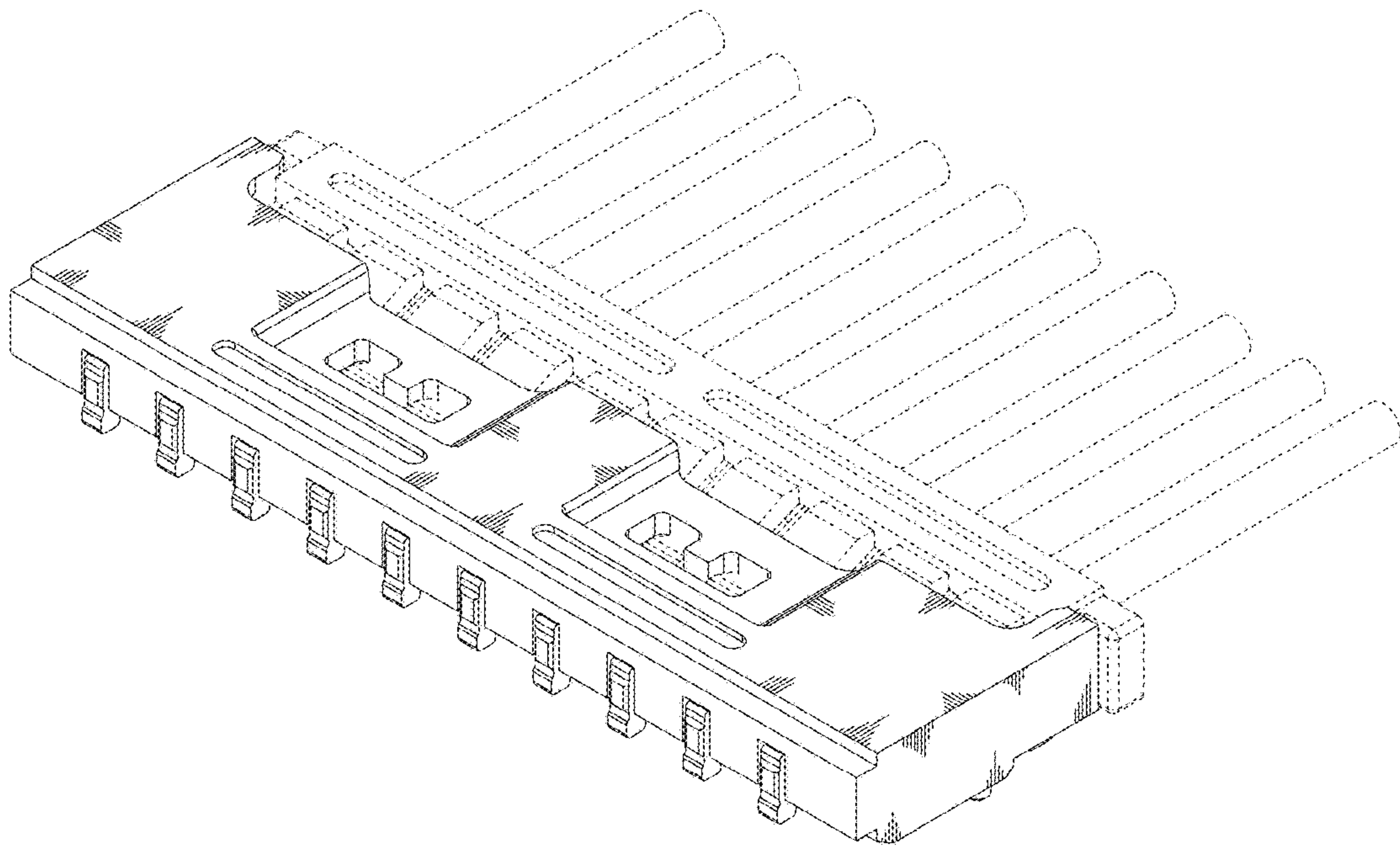


FIG. 10

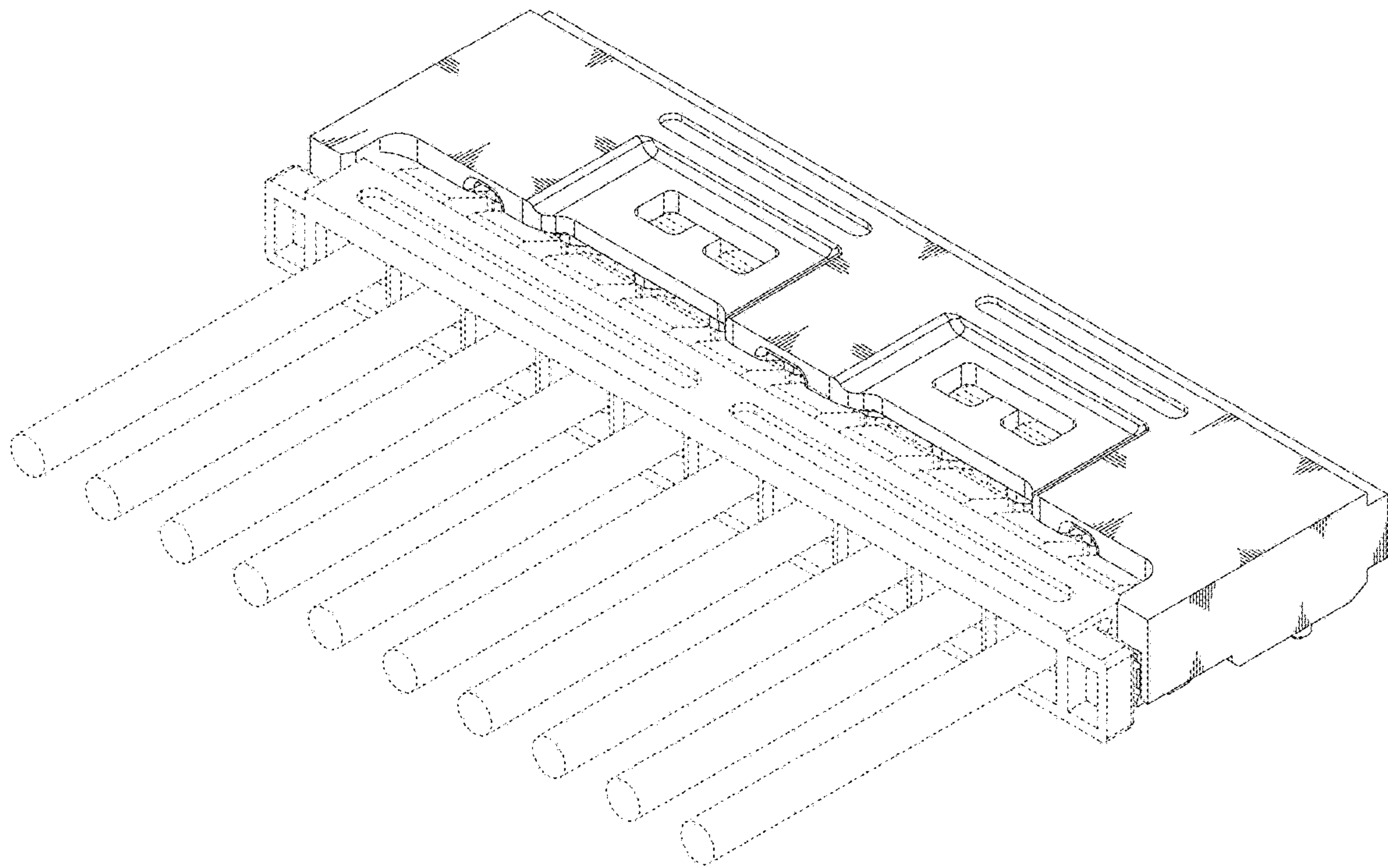


FIG. 11

UNITED STATES PATENT AND TRADEMARK OFFICE
CERTIFICATE OF CORRECTION

PATENT NO. : D790,474 S
APPLICATION NO. : 29/563938
DATED : June 27, 2017
INVENTOR(S) : Tsung-Chi Chen, Mu-Jung Huang and Shao-Szum Ho

Page 1 of 1

It is certified that error appears in the above-identified patent and that said Letters Patent is hereby corrected as shown below:

On the Title Page

Please correct the inventors to read:

(72) Inventors: Tsung-Chi Chen, New Taipei (TW)
Mu-Jung Huang, New Taipei (TW)
SHAO-SZUM HO, Round Rock, TX (US)

Signed and Sealed this
Fifth Day of September, 2017



Joseph Matal
*Performing the Functions and Duties of the
Under Secretary of Commerce for Intellectual Property and
Director of the United States Patent and Trademark Office*