



US00D790472S

(12) **United States Design Patent** (10) **Patent No.:** **US D790,472 S**
Chen et al. (45) **Date of Patent:** **** Jun. 27, 2017**

(54) **RECEPTOR CONNECTOR**

(71) Applicants: **Tarng Yu Enterprise co., ltd**, New Taipei (TW); **DELL Products L.P.**, Round Rock, TX (US)

(72) Inventors: **Tsung-Chi Chen**, New Taipei (TW); **Mu-Jung Huang**, New Taipei (TW); **Chai-Fa Chang**, Round Rock, TX (US)

(73) Assignees: **TARNG YU ENTERPRISE CO., LTD**, New Taipei (TW); **DELL PRODUCTS L.P.**, Round Rock, TX (US)

(**) Term: **15 Years**

(21) Appl. No.: **29/562,749**

(22) Filed: **Apr. 28, 2016**

(30) **Foreign Application Priority Data**

Oct. 29, 2015 (TW) 104306070

(51) **LOC (10) Cl.** **13-03**

(52) **U.S. Cl.**
USPC **D13/147**

(58) **Field of Classification Search**
 USPC D13/133, 146, 147, 154, 184, 199;
 D14/432, 433, 435, 435.1, 436, 437, 438
 CPC H01R 13/02; H01R 13/436; H01R 13/502;
 H01R 13/504; H01R 13/506; H01R
 13/514; H01R 13/5208; H01R 13/627;
 H01R 13/639; H01R 13/6581; H01R
 24/20; H01R 24/28

See application file for complete search history.

(56) **References Cited**

U.S. PATENT DOCUMENTS

D598,388 S * 8/2009 Peng D13/147
 D602,874 S * 10/2009 Tagawa D13/147
 D627,298 S * 11/2010 Huang D13/147
 D661,658 S * 6/2012 Wang D13/147

* cited by examiner

Primary Examiner — Daniel Bui

(74) *Attorney, Agent, or Firm* — Chun-Ming Shih

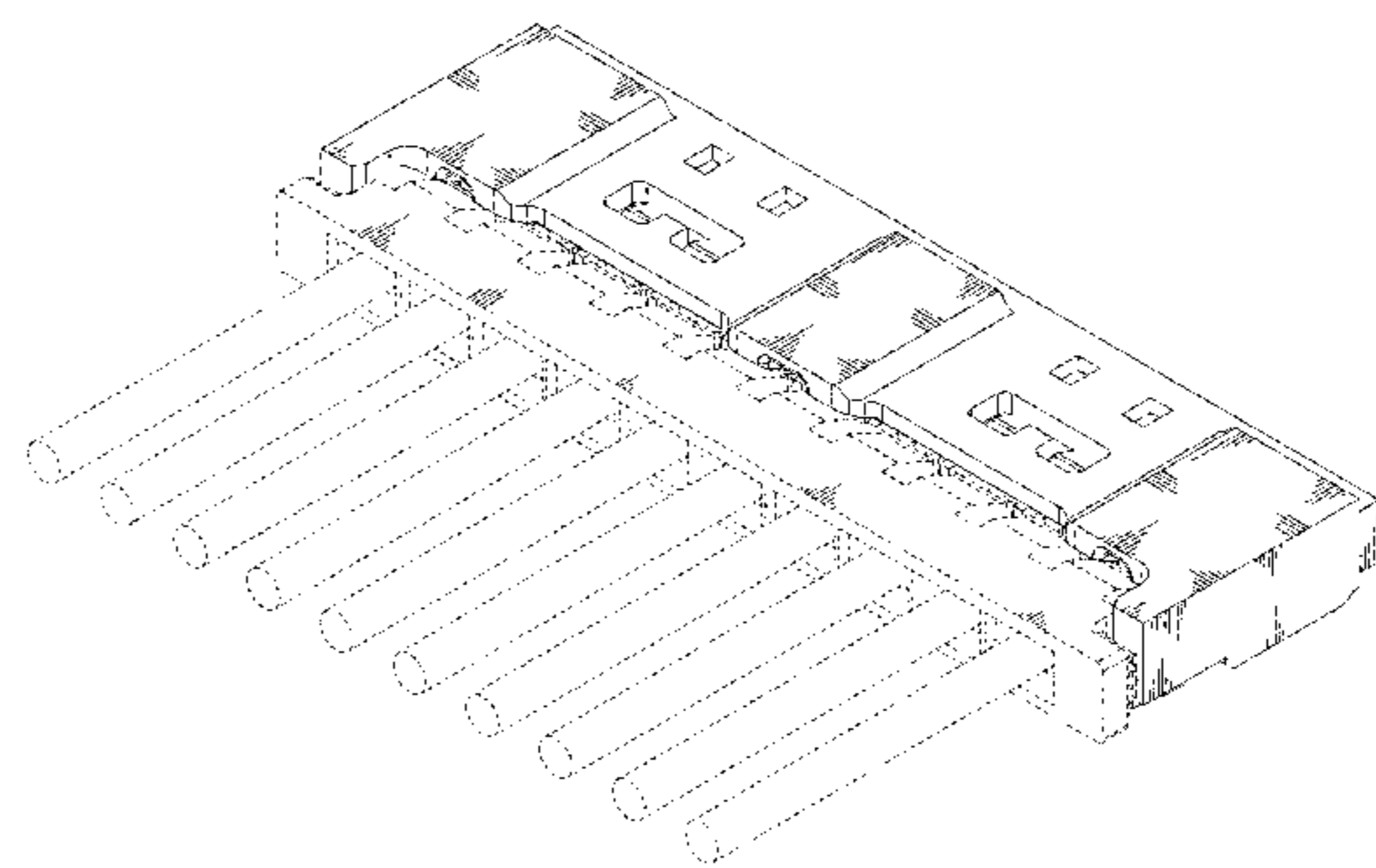
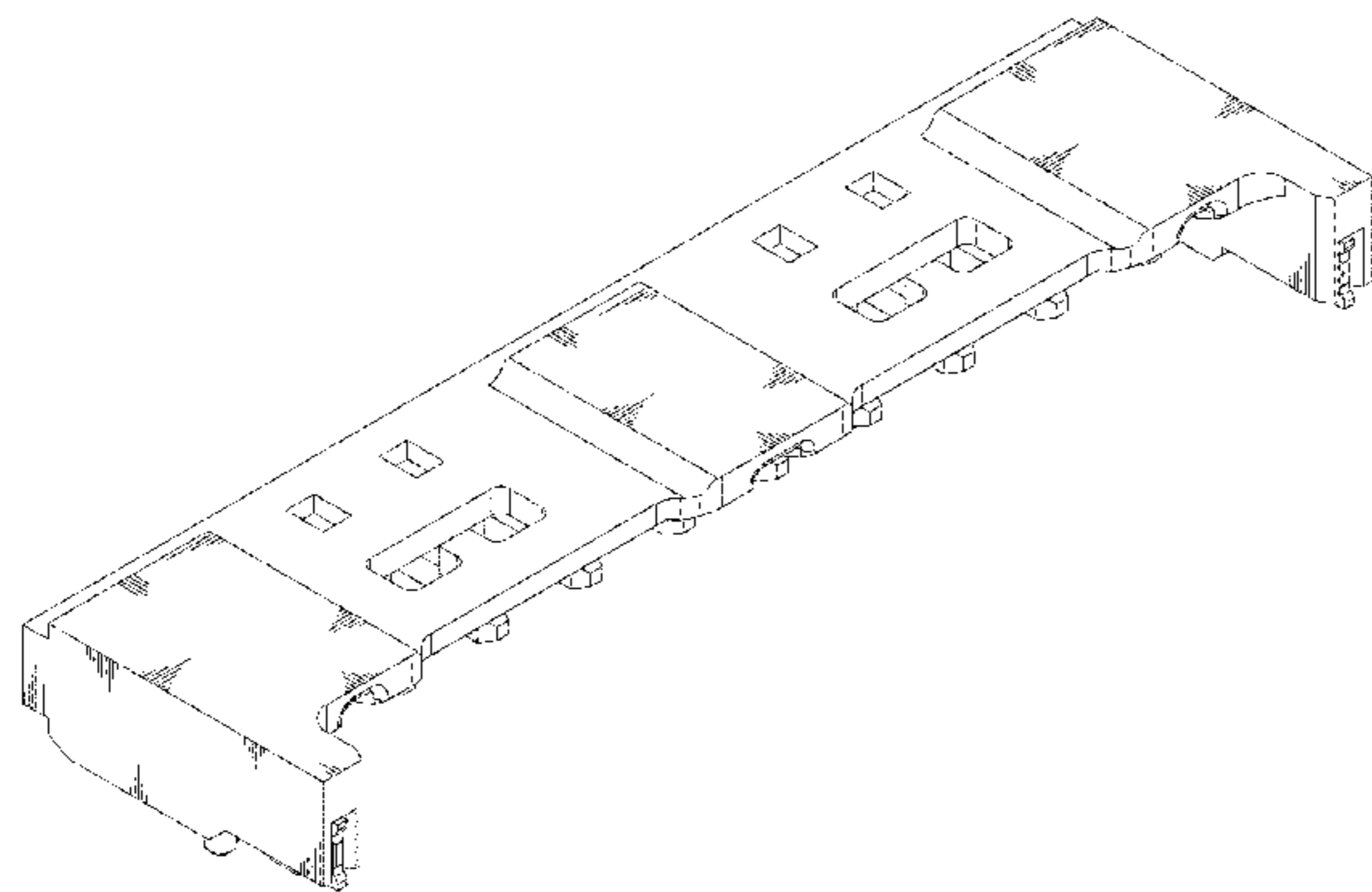
(57) **CLAIM**

The ornamental design for a receptor connector, as shown and described.

DESCRIPTION

FIG. 1 is a front, top and left side perspective view of a receptor connector showing our new design;
 FIG. 2 is a front elevation view thereof;
 FIG. 3 is a rear elevation view thereof;
 FIG. 4 is a left side elevation view thereof;
 FIG. 5 is a right side elevation view thereof;
 FIG. 6 is a top plan view thereof;
 FIG. 7 is a bottom plan view thereof;
 FIG. 8 is a rear, top and left side perspective view thereof;
 FIG. 9 is a front, bottom and right side perspective view thereof; and,
 FIG. 10 is a front, top and right side perspective view thereof, in use condition.
 The broken line in the drawing depicts unclaimed environmental subject matter only and forms no part of the claimed design.

1 Claim, 5 Drawing Sheets



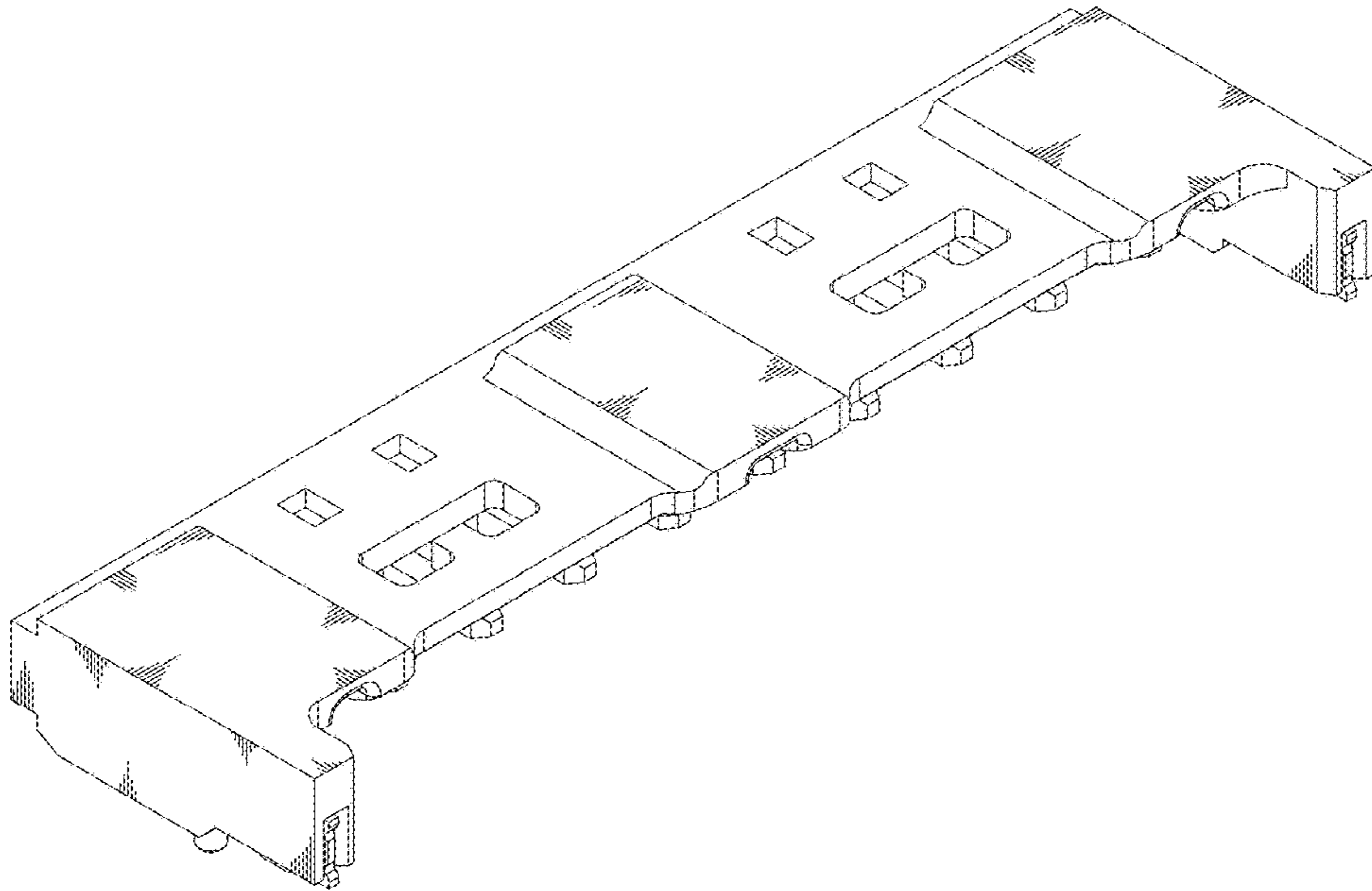


FIG. 1

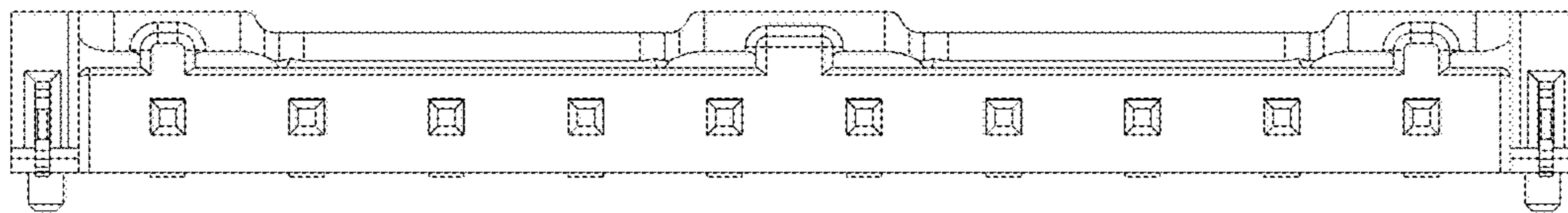


FIG. 2

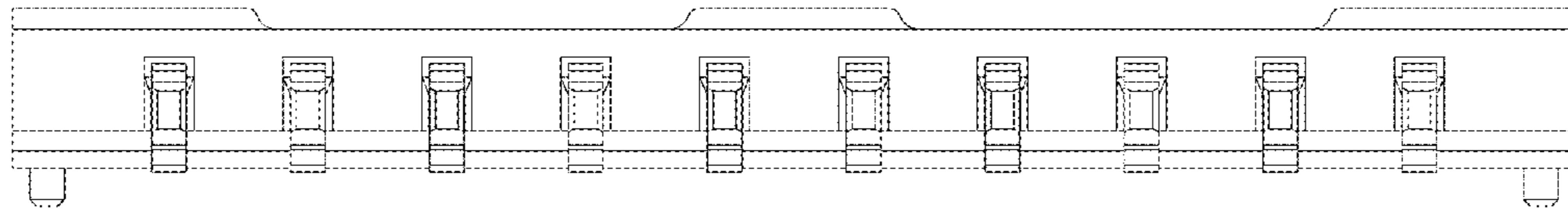


FIG.3

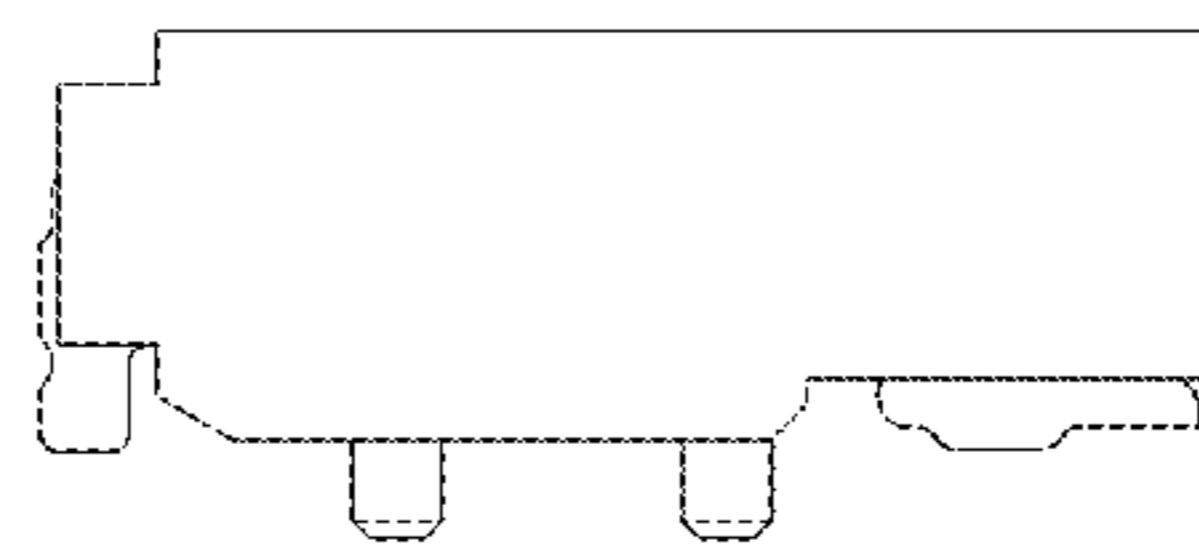


FIG.4

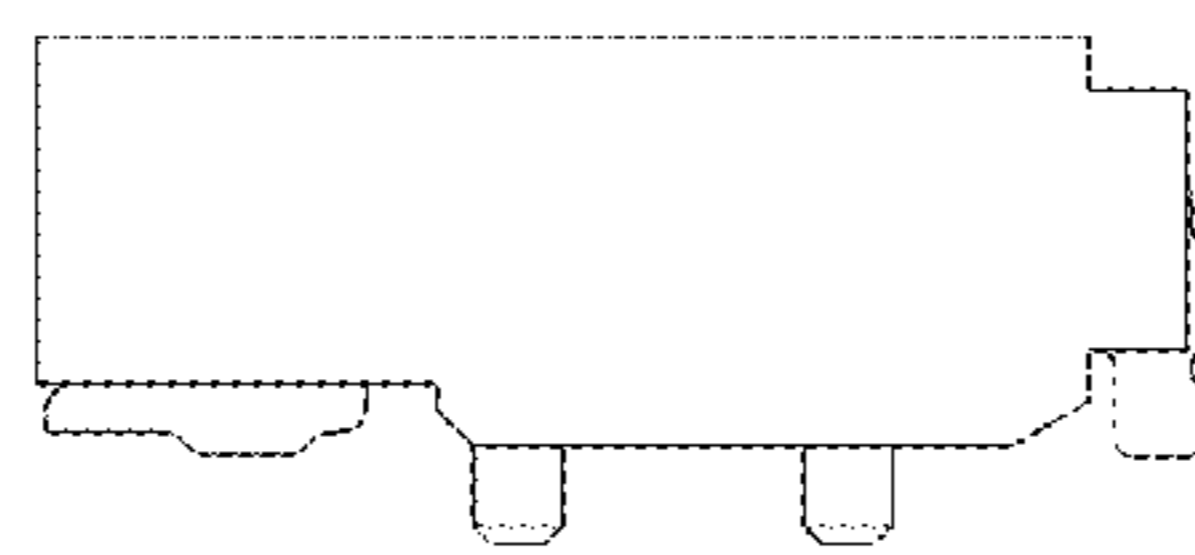


FIG.5

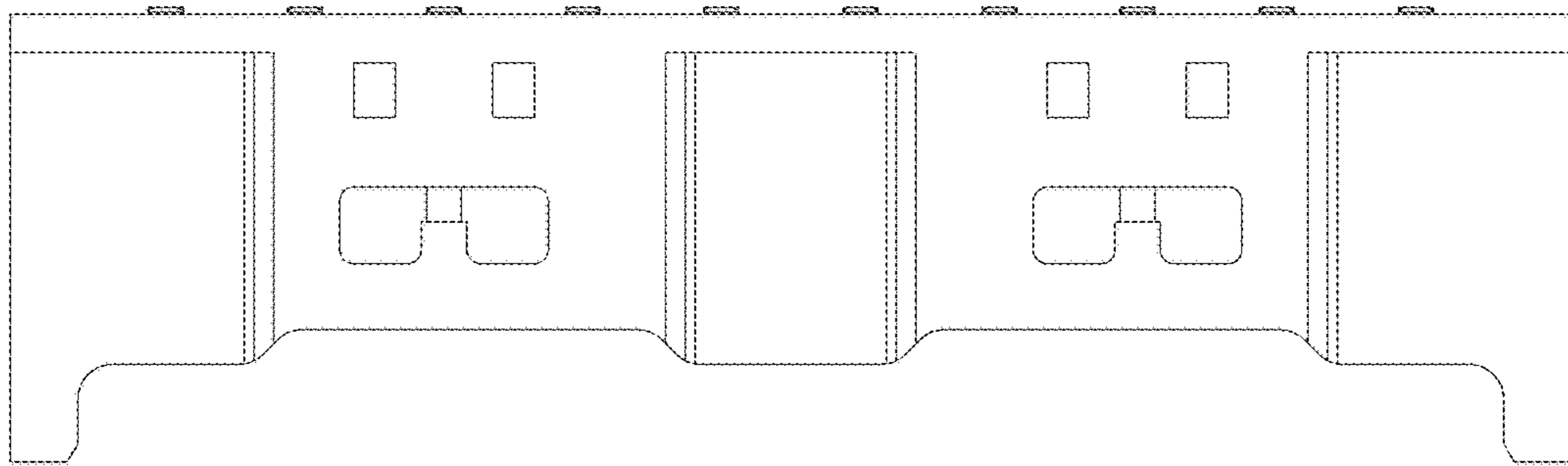


FIG. 6

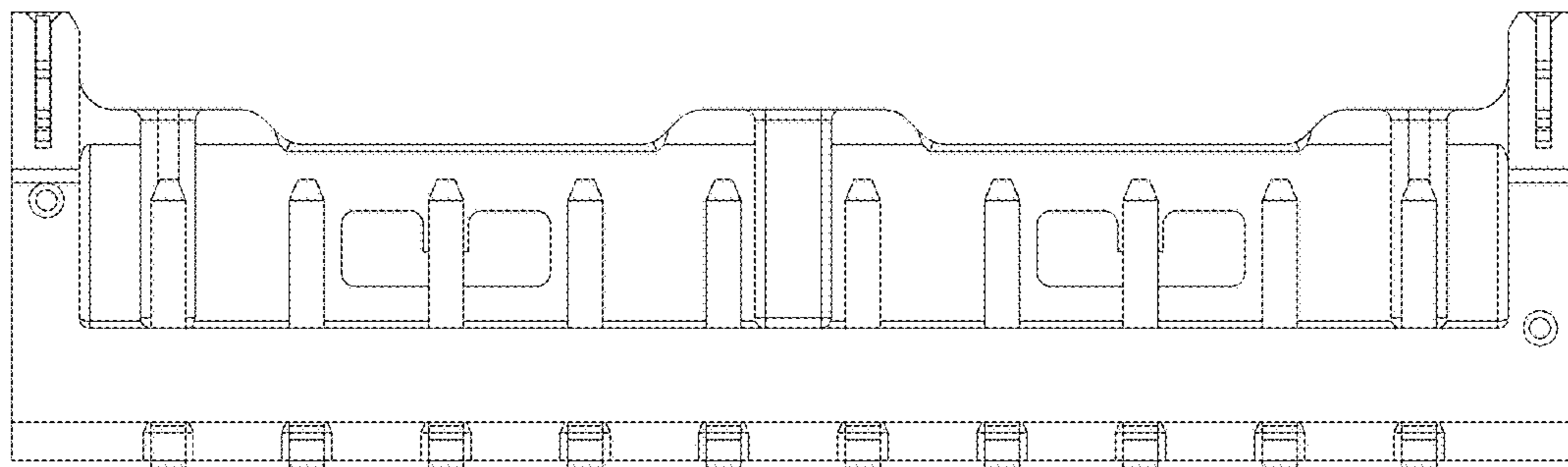


FIG. 7

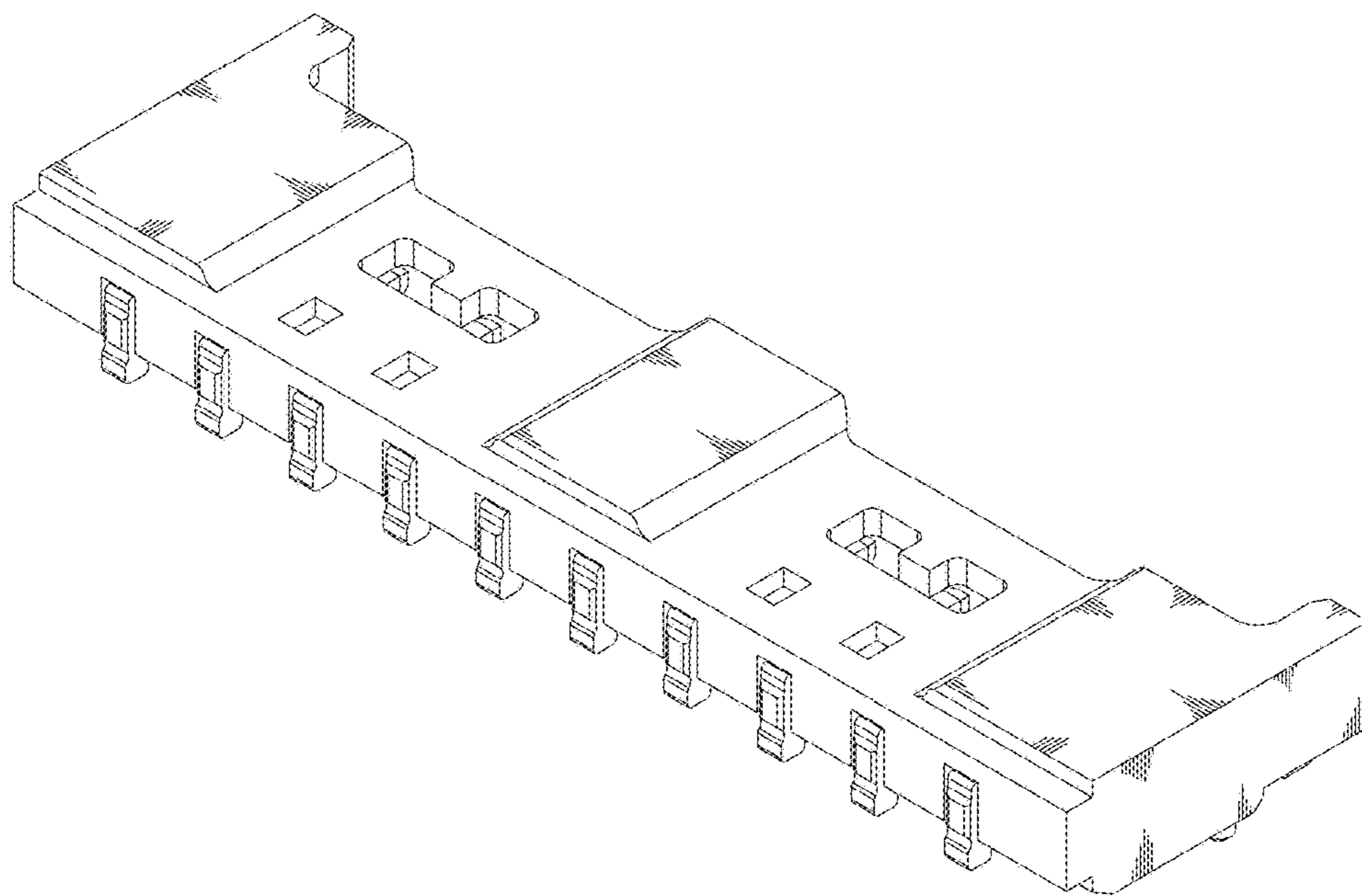


FIG. 8

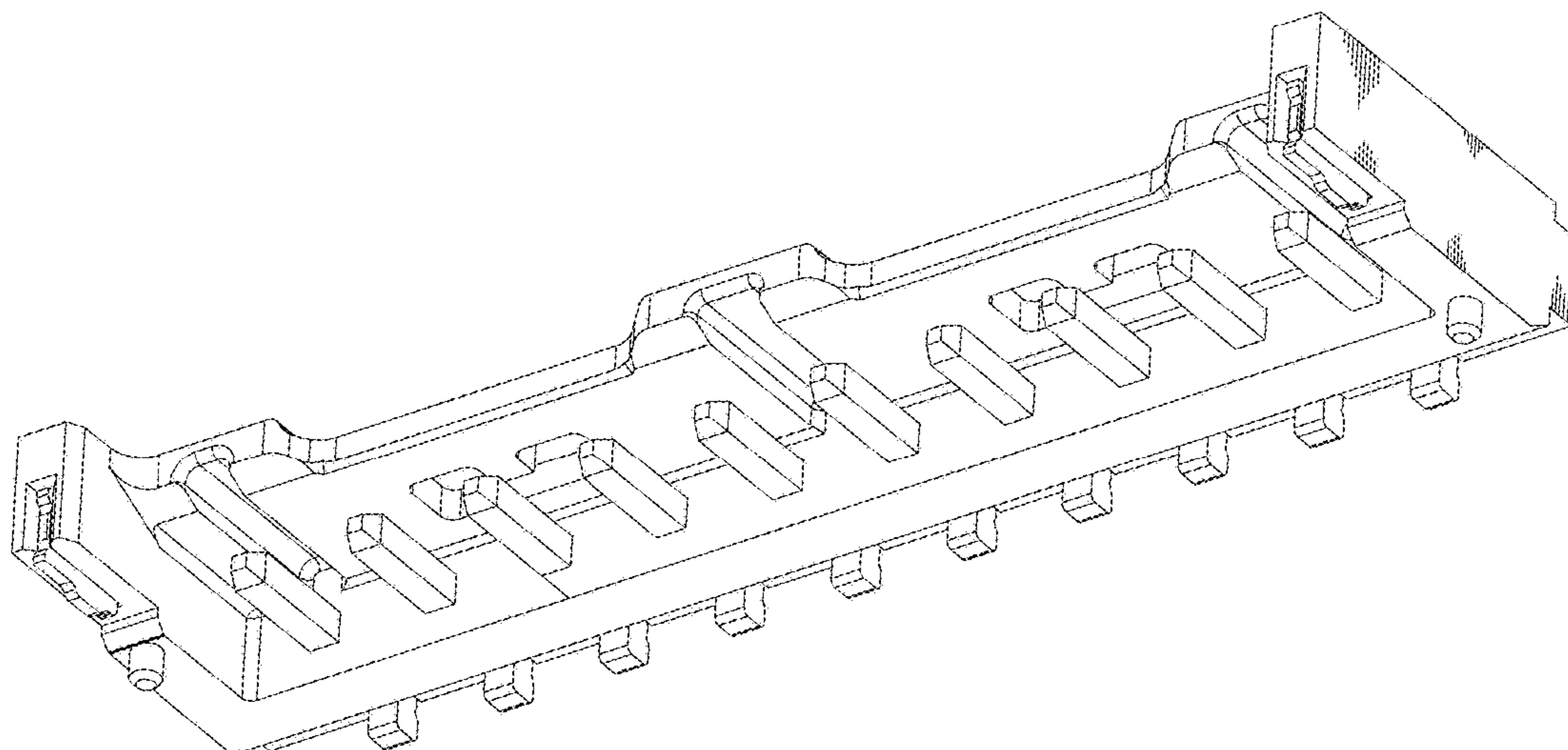


FIG. 9

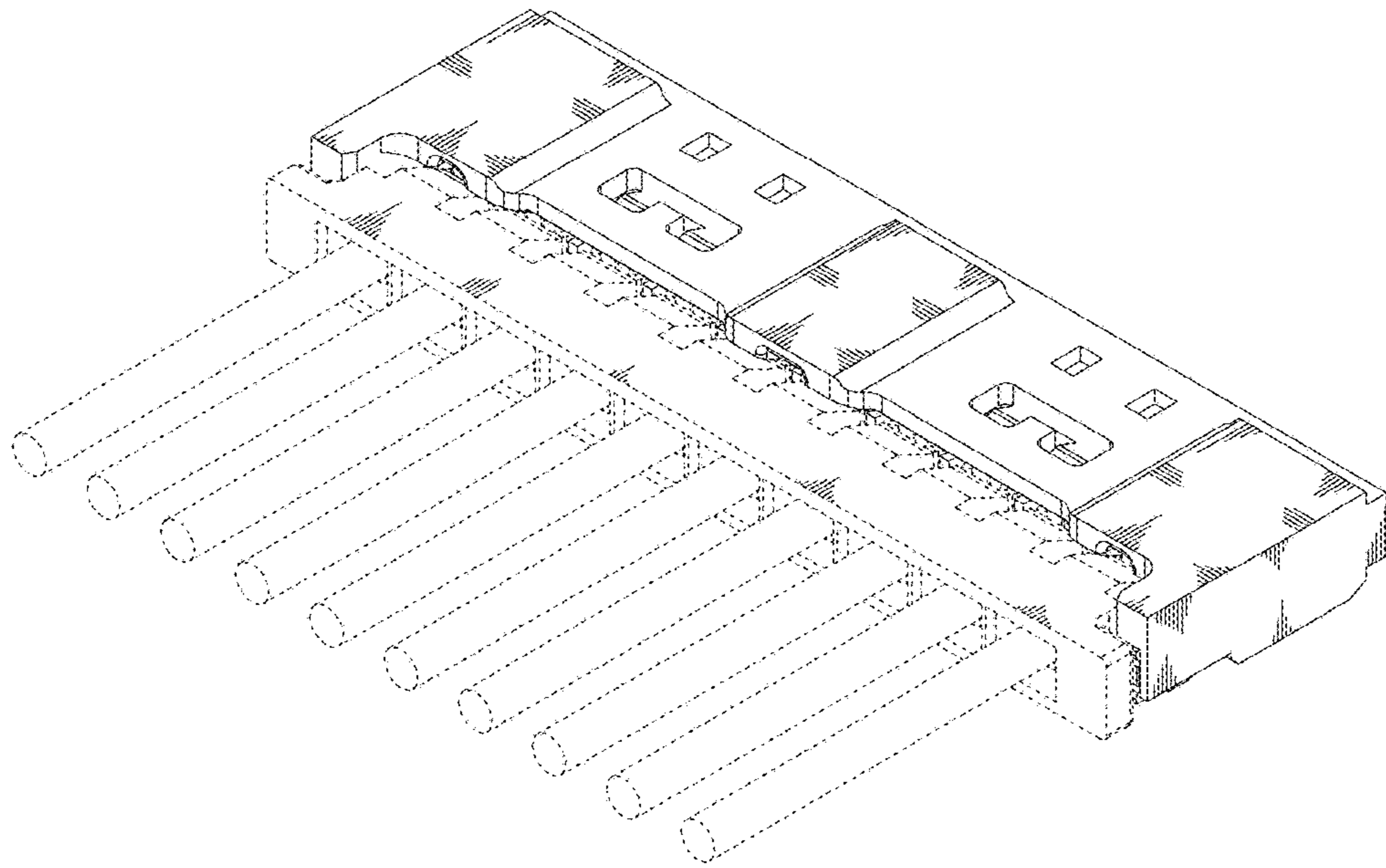


FIG. 10