



US00D790470S

(12) **United States Design Patent**
Katagiyama et al.

(10) **Patent No.:** **US D790,470 S**
(45) **Date of Patent:** **** Jun. 27, 2017**

(54) **ADAPTER FOR OPTICAL CONNECTORS**

(71) Applicant: **Japan Aviation Electronics Industry, Limited, Tokyo (JP)**

(72) Inventors: **Naoki Katagiyama, Tokyo (JP); Yuichi Koreeda, Tokyo (JP)**

(73) Assignee: **Japan Aviation Electronics Industry, Limited, Tokyo (JP)**

(**) Term: **15 Years**

(21) Appl. No.: **29/549,252**

(22) Filed: **Dec. 21, 2015**

(30) **Foreign Application Priority Data**

Jul. 13, 2015 (JP) 2015-015497

(51) **LOC (10) Cl.** **13-03**

(52) **U.S. Cl.**
USPC **D13/133**

(58) **Field of Classification Search**
USPC D13/123, 133, 134, 137.1–137.4, 138.1,
D13/138.2, 139.1, 139.7, 144–147, 149,
D13/154–156, 173, 184, 199, 110, 118
CPC ... H01B 7/00; H01R 9/00; H01R 9/05; H01R
9/24; H01R 13/00; H01R 13/44; H01R
13/62; G02B 6/36; G02B 6/38; G02B
6/424
See application file for complete search history.

(56) **References Cited**

U.S. PATENT DOCUMENTS

D683,701 S *	6/2013	Svelnis	D13/133
D709,829 S *	7/2014	McKee	D13/110
D717,247 S *	11/2014	Nagasawa	D13/133
D733,655 S *	7/2015	Sato	D13/133
D734,266 S *	7/2015	Sato	D13/133
D747,692 S *	1/2016	Katagiyama	D13/154

D753,594 S *	4/2016	Katagiyama	D13/133
D776,616 S *	1/2017	Katagiyama	D13/133
D777,106 S *	1/2017	Katagiyama	D13/133
2010/0104355 A1 *	4/2010	Sugimoto	G02B 6/3897 403/292
2010/0239213 A1 *	9/2010	Katagiyama	G02B 6/3825 385/94
2011/0158586 A1 *	6/2011	Katagiyama	G02B 6/3825 385/55

(Continued)

FOREIGN PATENT DOCUMENTS

JP	1366116 S	8/2009
JP	1395282 S	8/2010
JP	1524474 S	5/2015

Primary Examiner — Thomas Johannes

Assistant Examiner — Shawn T Gingrich

(74) *Attorney, Agent, or Firm* — Cermak Nakajima & McGowan LLP; Tomoko Nakajima

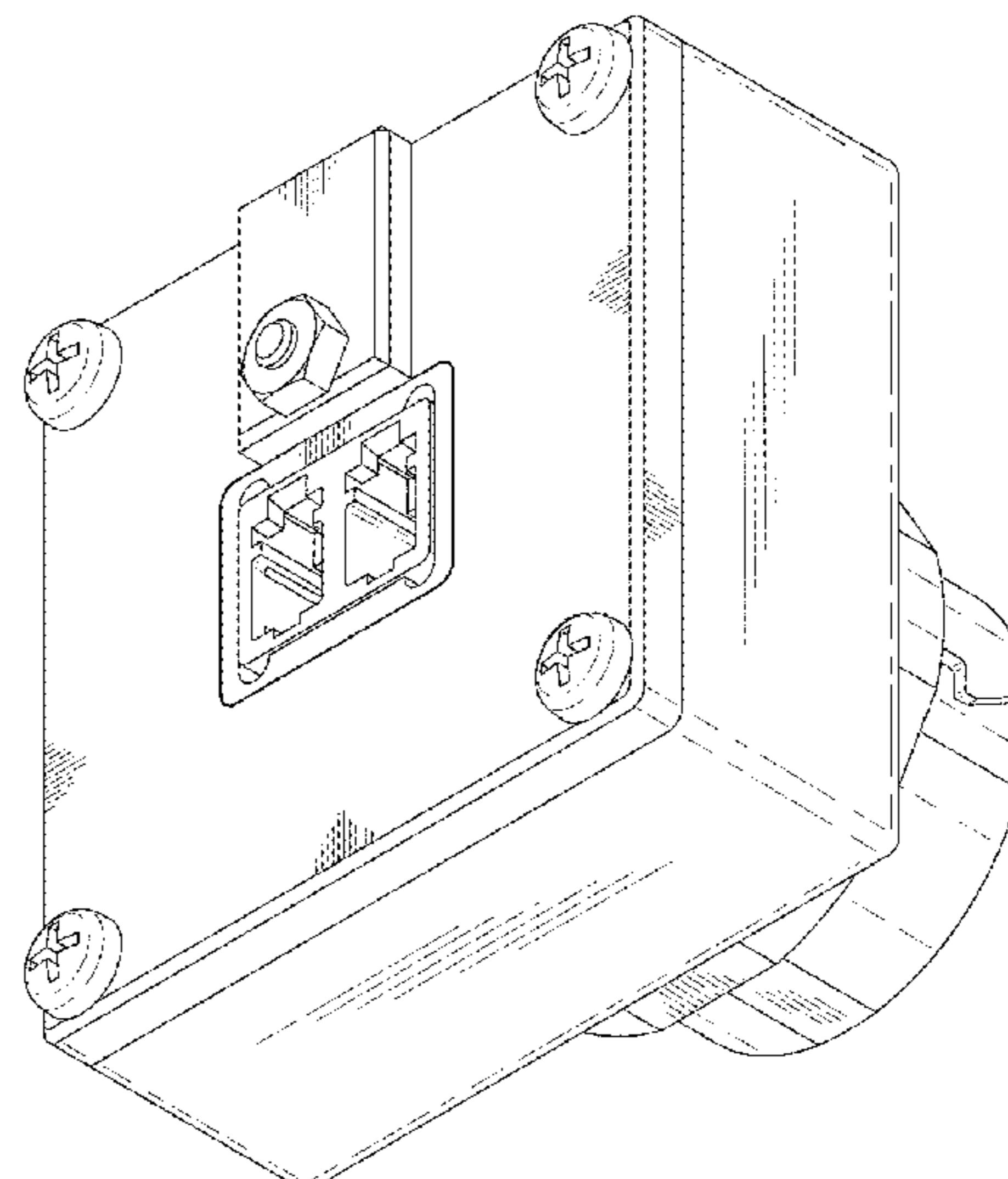
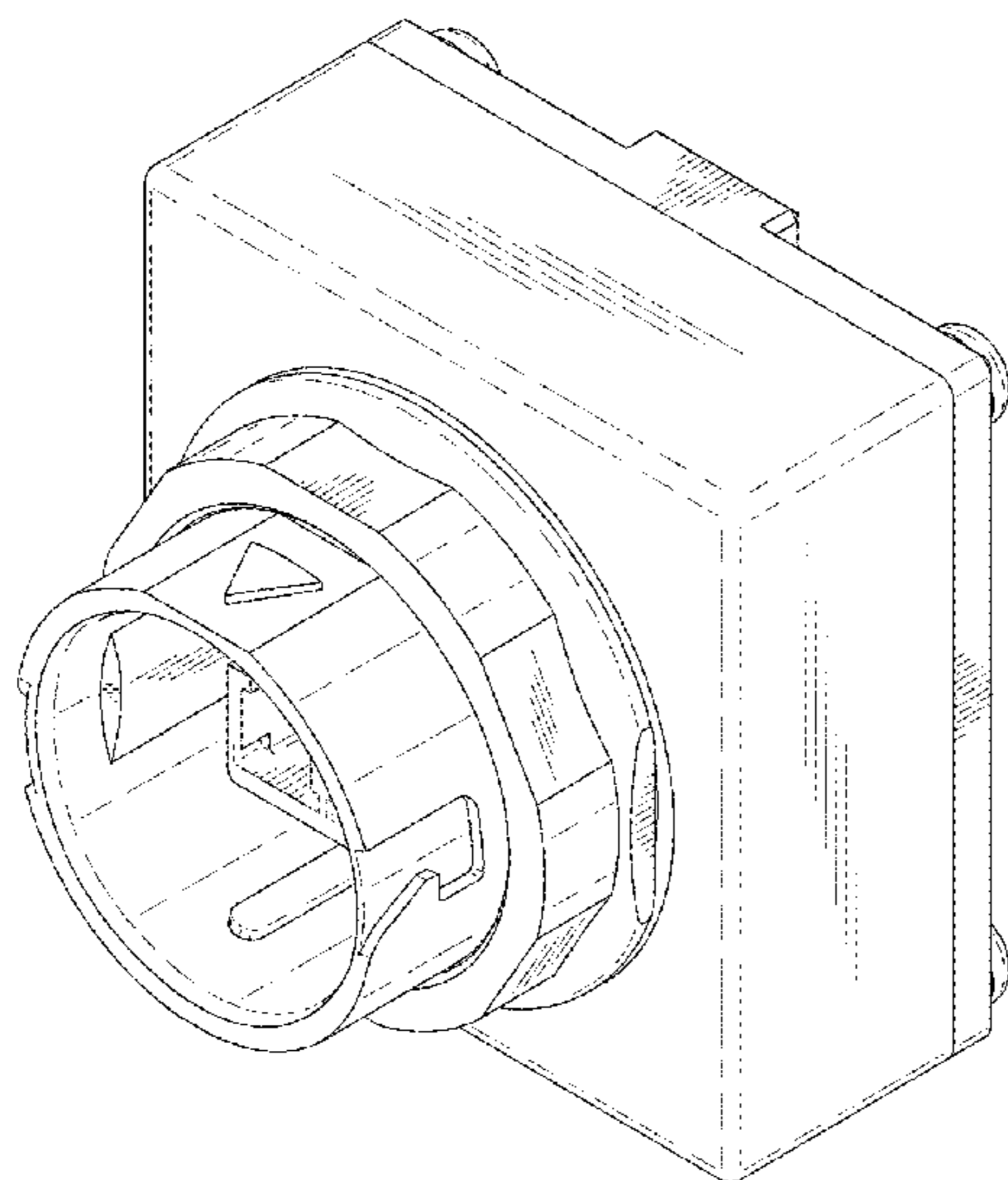
(57) **CLAIM**

The ornamental design for an adapter for optical connectors, as shown and described.

DESCRIPTION

FIG. 1 is a front elevational view of an adapter for optical connectors showing our new design; FIG. 2 is a top plan view thereof; FIG. 3 is a right side elevational view thereof; FIG. 4 is a left side elevational view thereof; FIG. 5 is a rear elevational view thereof; and FIG. 6 is a bottom plan view thereof. FIG. 7 is a front and top perspective view thereof; FIG. 8 is a rear and bottom perspective view thereof; FIG. 9 is a front and bottom perspective view thereof; and, FIG. 10 is a rear and bottom perspective view thereof. The broken line portion of the figure drawings is included to show portions of the article that form no part of the claimed design.

1 Claim, 10 Drawing Sheets



(56)

References Cited

U.S. PATENT DOCUMENTS

2014/0368069 A1 * 12/2014 Ren H01R 13/622
310/71

* cited by examiner

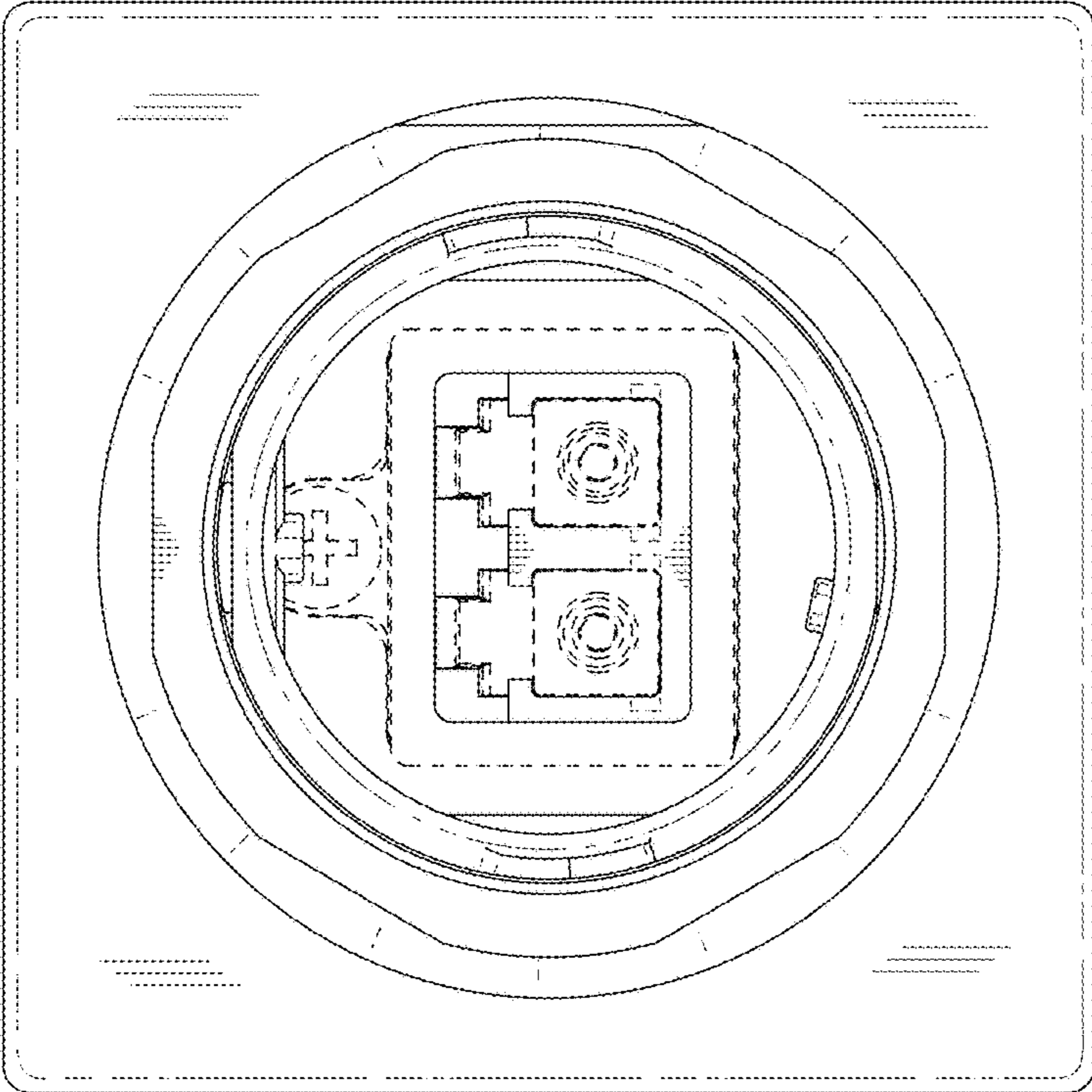


FIG.1

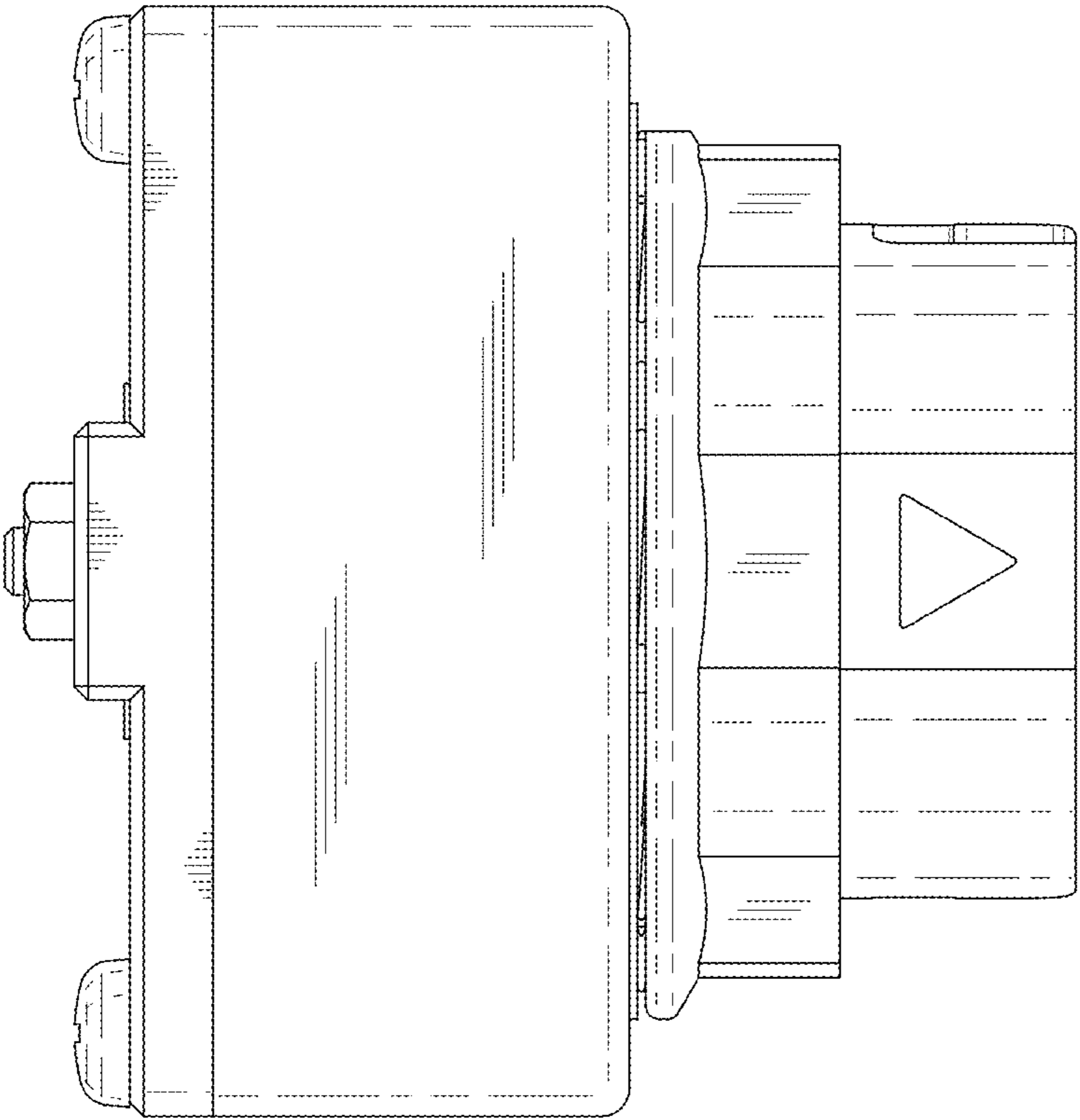


FIG.2

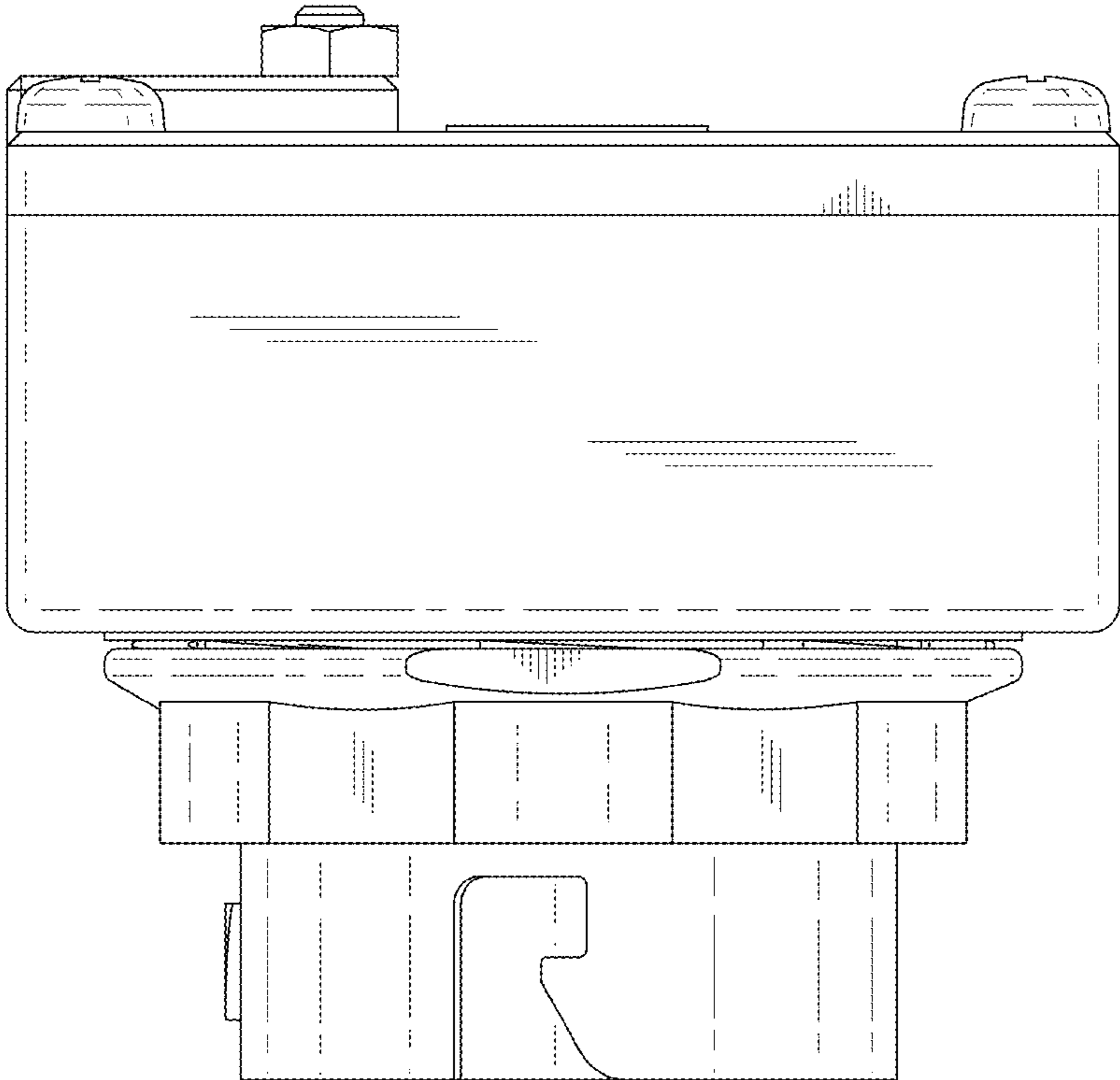


FIG.3

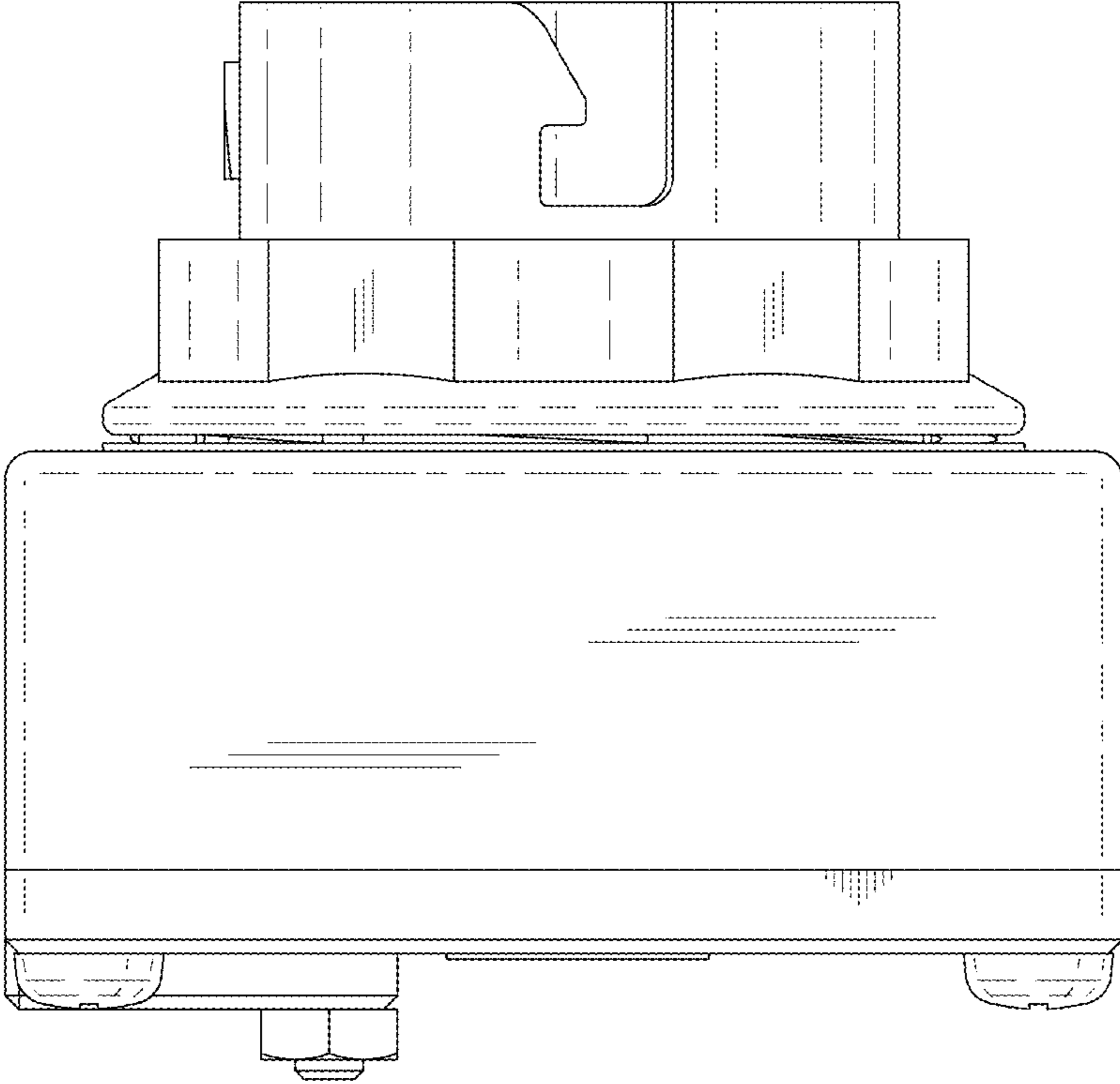


FIG.4

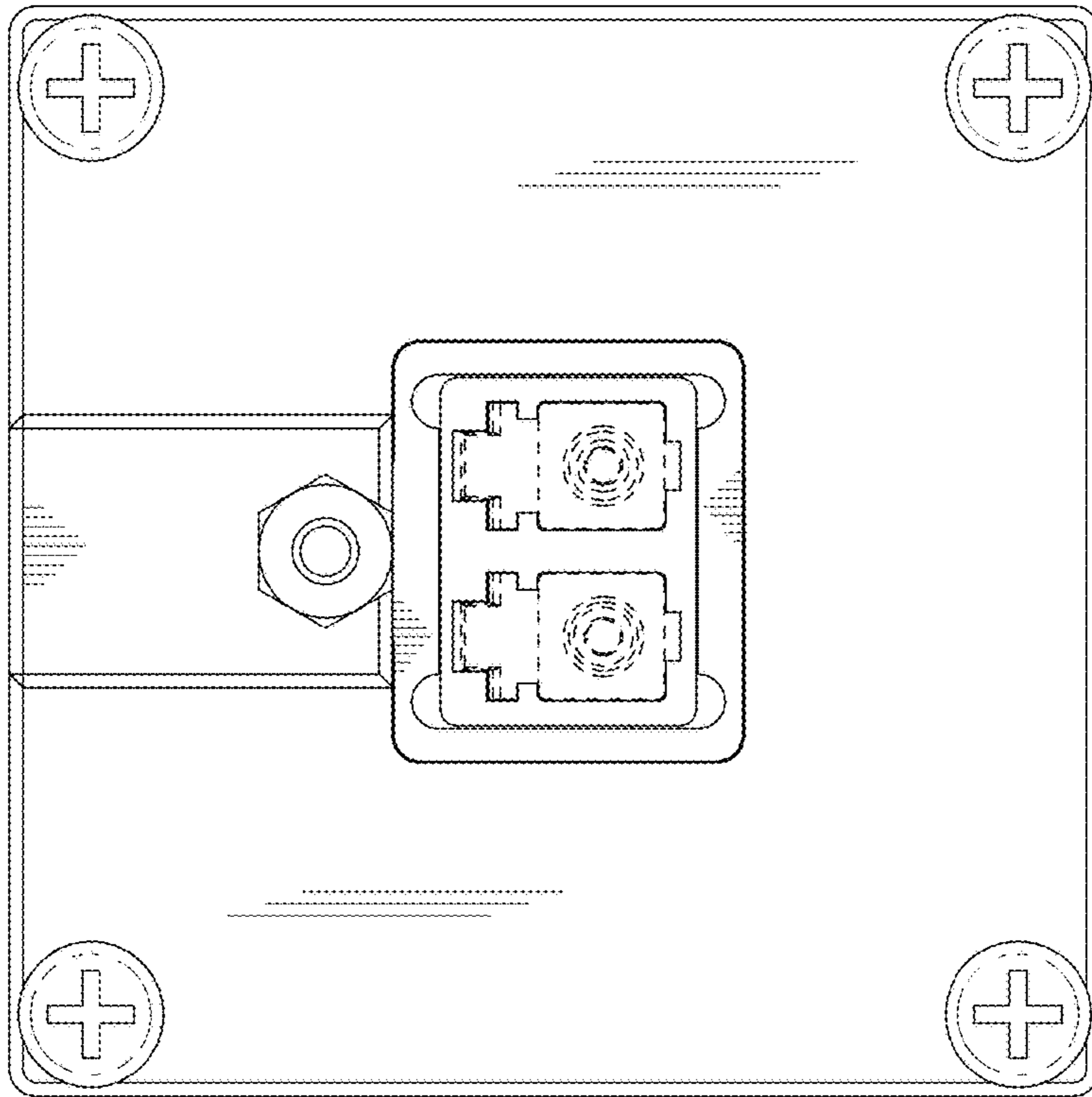


FIG.5

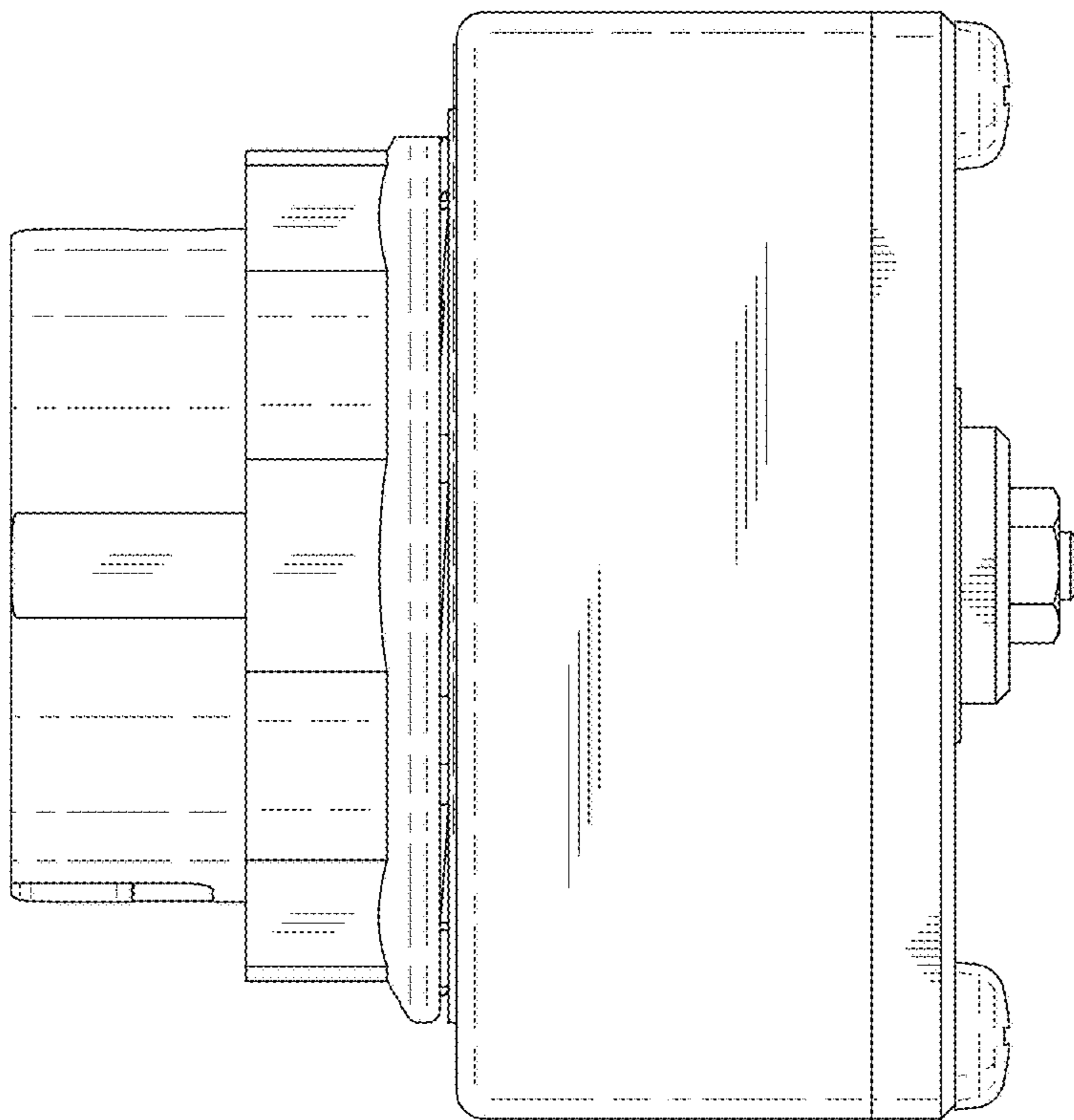


FIG.6

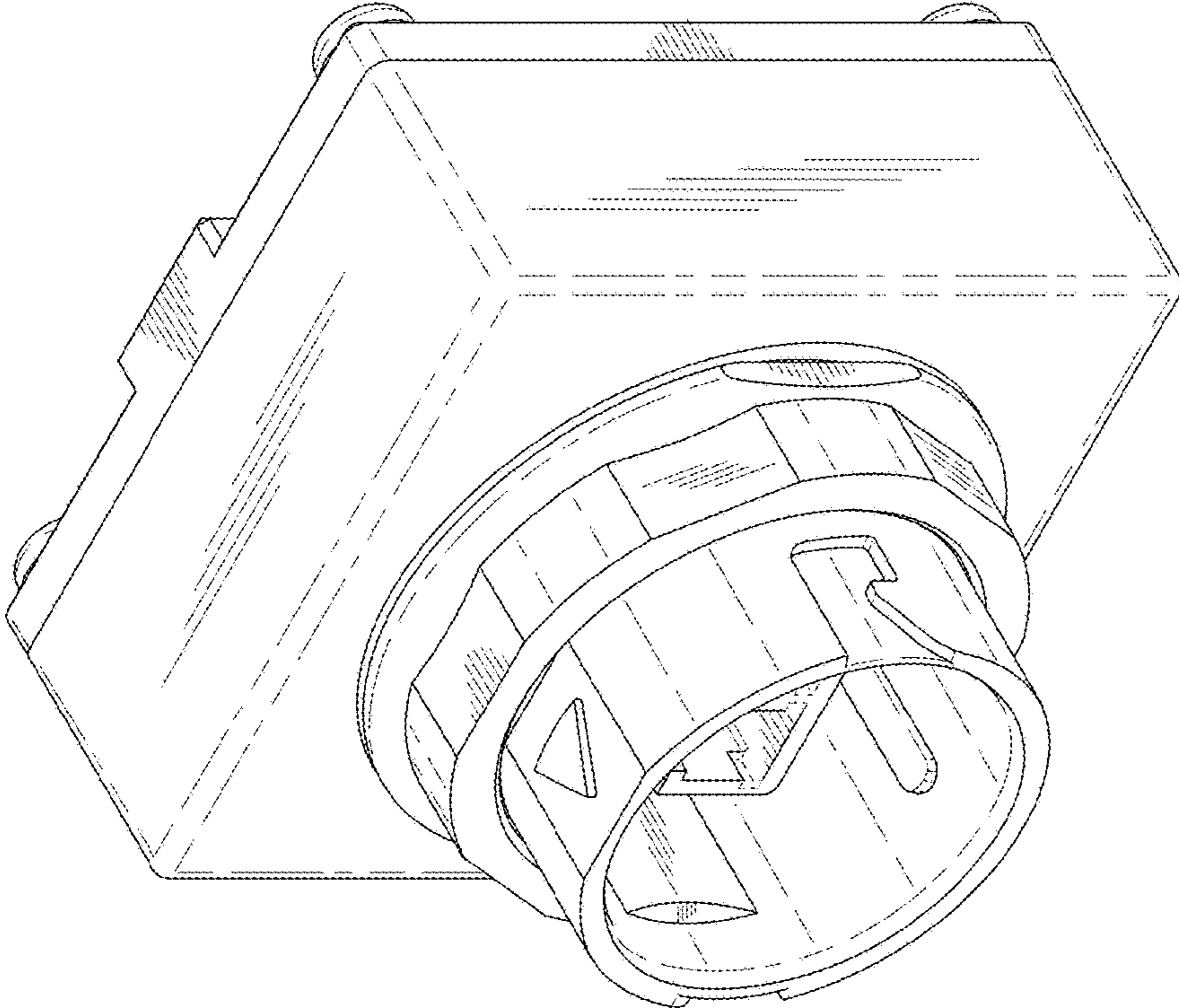


FIG.7

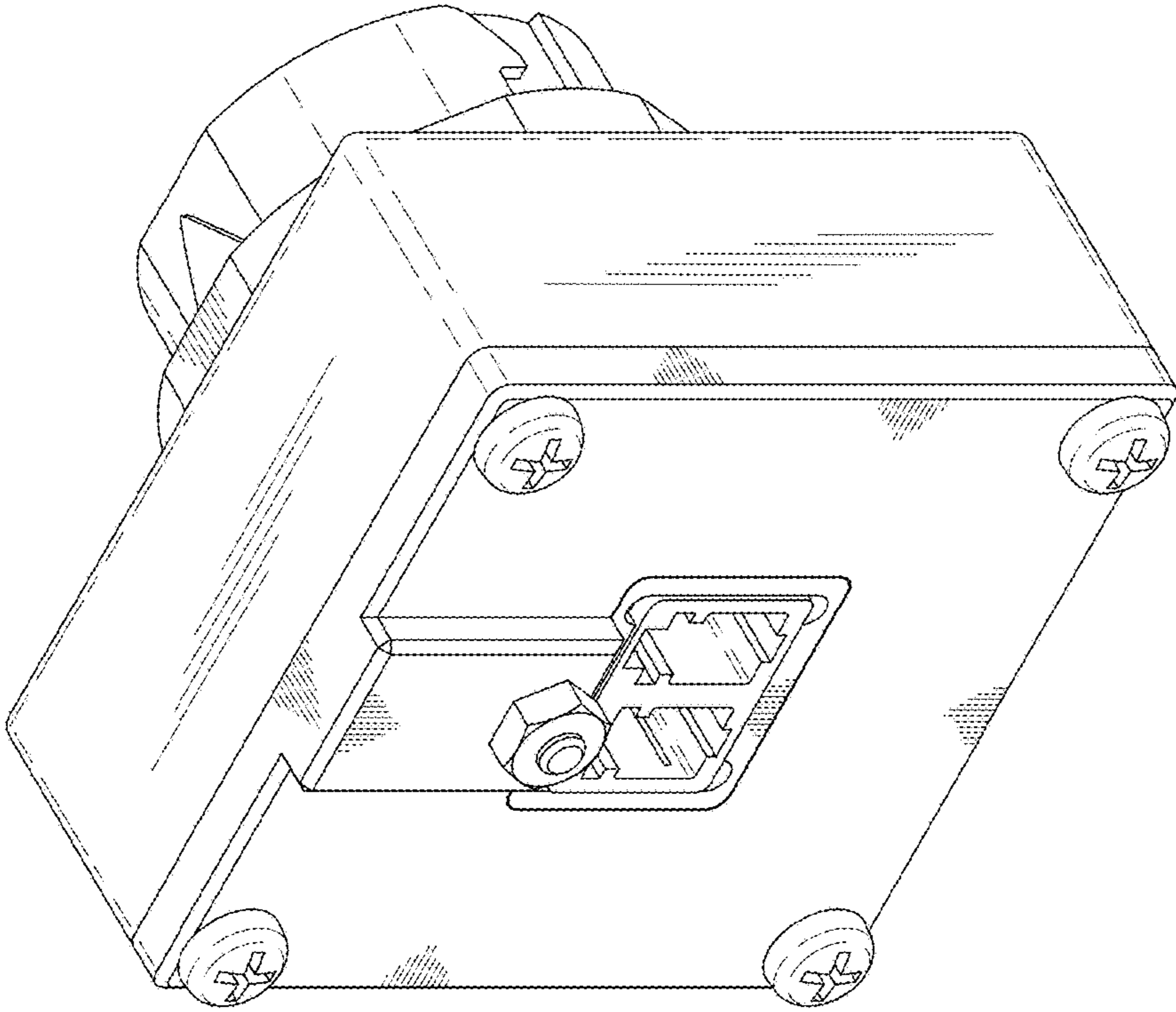


FIG.8

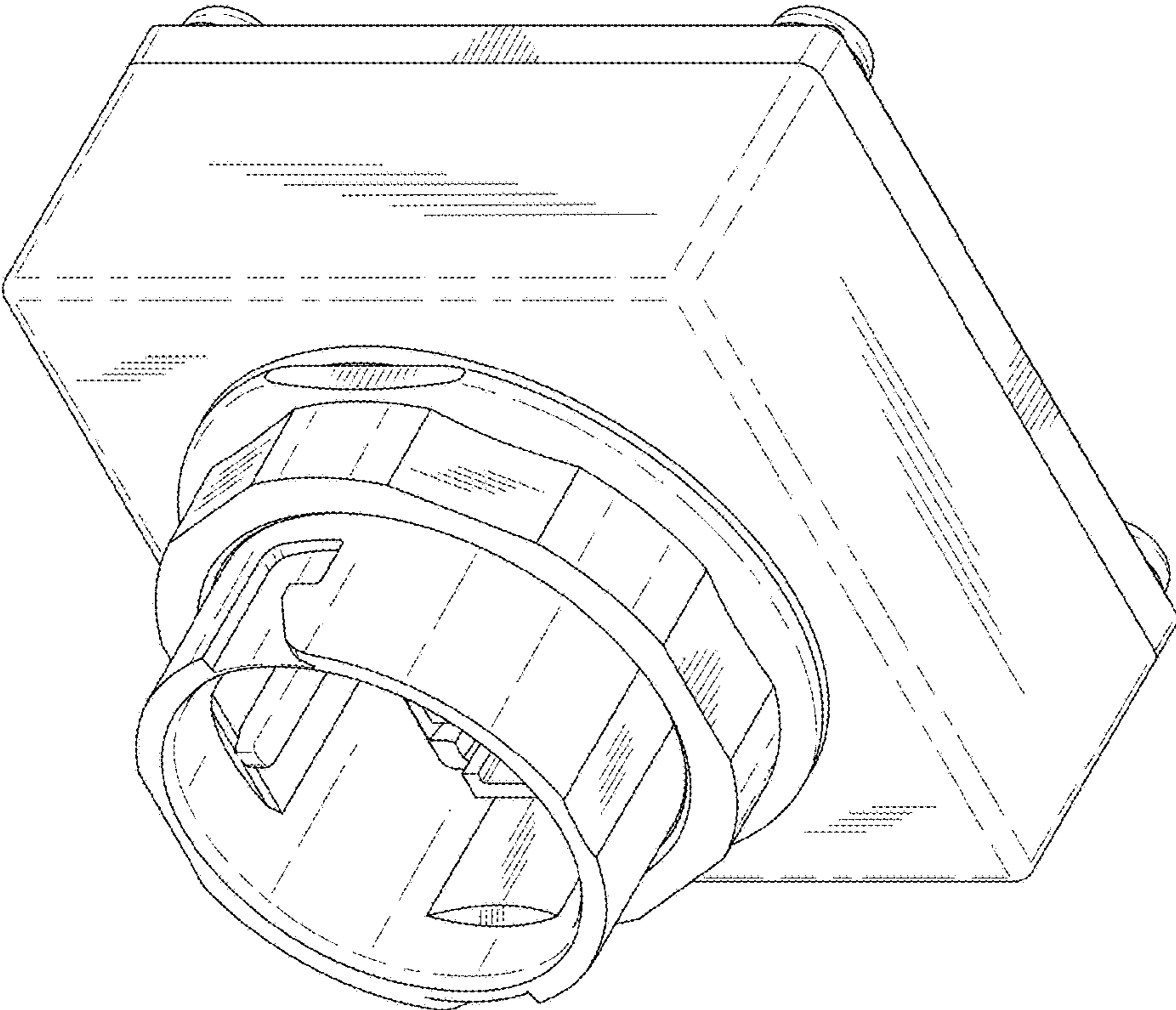


FIG. 9

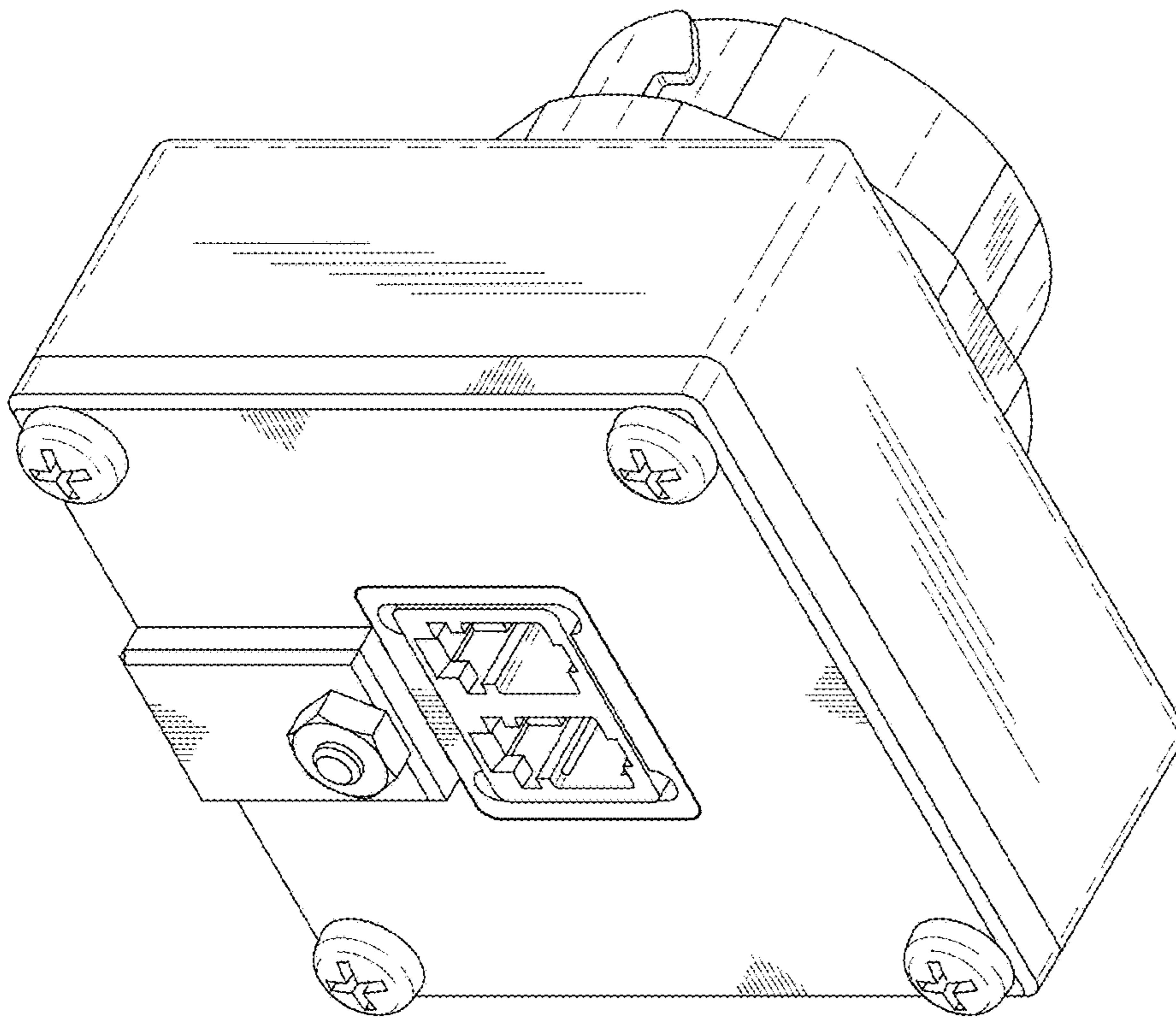


FIG.10