



US00D790469S

(12) **United States Design Patent**
Qi et al.

(10) **Patent No.:** **US D790,469 S**
(45) **Date of Patent:** **** Jun. 27, 2017**

- (54) **ELECTRICAL BRUSH** 4,673,837 A * 6/1987 Gingerich H02K 5/148
29/597
- (71) Applicant: **Johnson Electric S.A.**, Murten (CH) 7,034,430 B2 * 4/2006 Custforth H01R 39/38
310/229
- (72) Inventors: **Fa Yun Qi**, Shenzhen (CN); **Shu Dan Zhao**, Shenzhen (CN); **Cheng Shun Du**, Shenzhen (CN); **Rui Feng Qin**, Hong Kong (CN) D528,982 S * 9/2006 Reverberi D13/122
D533,833 S * 12/2006 Sakai D13/122
D552,540 S * 10/2007 Miyauchi D13/112
D571,291 S * 6/2008 Jabaji D13/112
D573,091 S * 7/2008 Shih D13/112
D598,377 S * 8/2009 Lannoch D13/122
D610,987 S * 3/2010 Oohashi D13/112
D688,627 S * 8/2013 Veeh D13/112
D709,830 S * 7/2014 Tanaka D13/122
- (73) Assignee: **JOHNSON ELECTRIC S.A.**, Murten (CH)

(**) Term: **15 Years**

(21) Appl. No.: **29/566,872**

(22) Filed: **Jun. 3, 2016**

(30) **Foreign Application Priority Data**

Dec. 4, 2015 (CN) 2015 3 0503548

(51) **LOC (10) Cl.** **13-01**

(52) **U.S. Cl.**
USPC **D13/122**

(58) **Field of Classification Search**
USPC D13/101, 110, 112, 113, 114, 118, 120,
D13/122, 174, 184, 199; D15/5, 143,
D15/148, 199; D23/233; D12/180
CPC H02K 5/148; H02K 11/026; H02K 11/40;
H01R 39/38; F16D 41/04; F16D 65/14;
F16D 2125/40; F16D 2125/48
See application file for complete search history.

(56) **References Cited**

U.S. PATENT DOCUMENTS

- D138,289 S * 7/1944 Lear D13/112
- D201,862 S * 8/1965 Johnson D13/108

* cited by examiner

Primary Examiner — Derrick Holland

(74) *Attorney, Agent, or Firm* — Muncy, Geissler, Olds & Lowe, P.C.

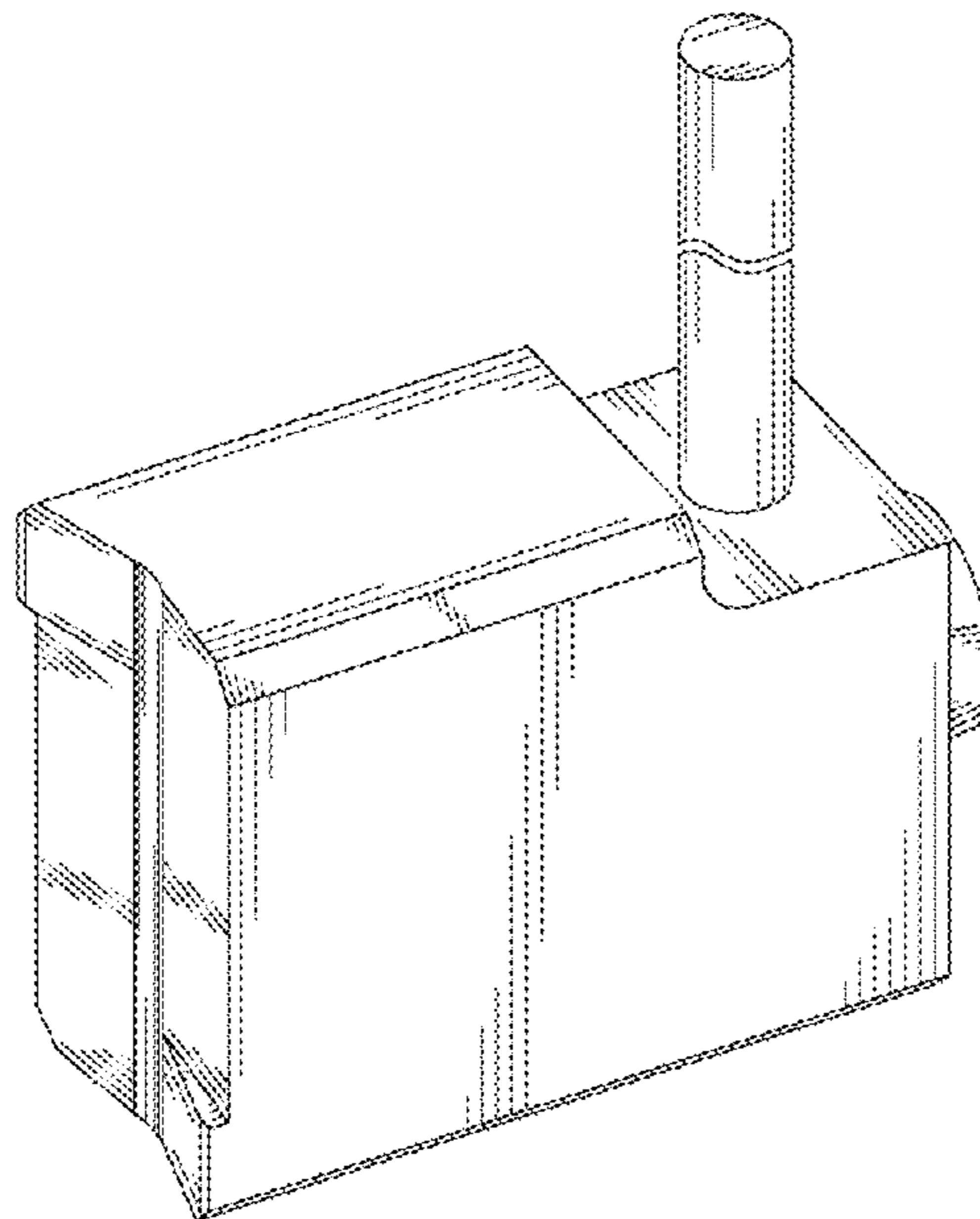
(57) **CLAIM**

The ornamental design for an electrical brush, as shown and described.

DESCRIPTION

FIG. 1 is a perspective view of an electrical brush showing our new design;
FIG. 2 is a right side elevational view thereof;
FIG. 3 is a left side elevational view thereof;
FIG. 4 is a front elevational view thereof;
FIG. 5 is a rear elevational view thereof;
FIG. 6 is a top plan view thereof; and,
FIG. 7 is a bottom plan view thereof.
The electrical brush is shown with a symbolic break in its length. The appearance of any portion of the article between the break lines forms no part of the claimed design.

1 Claim, 7 Drawing Sheets



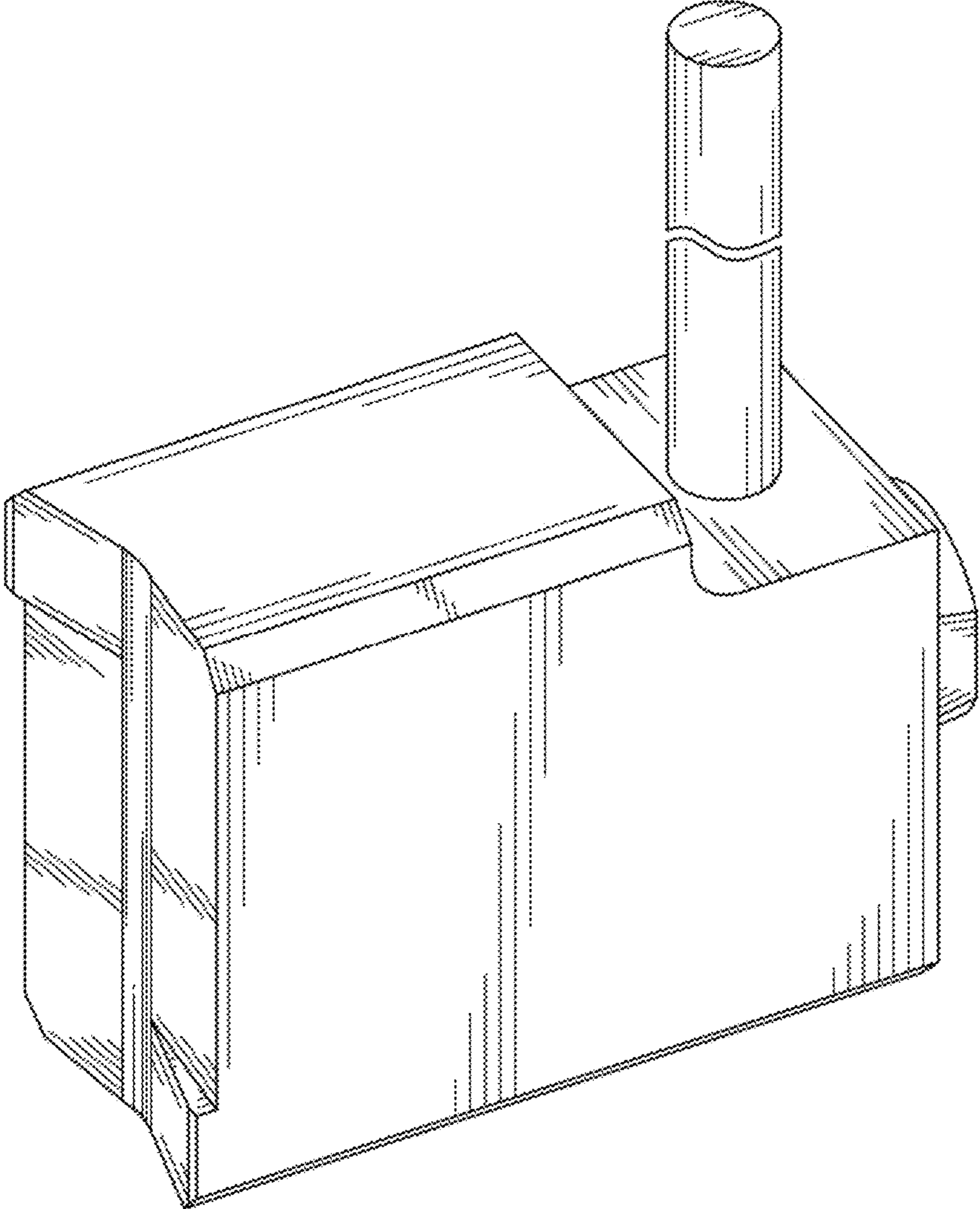


FIG. 1

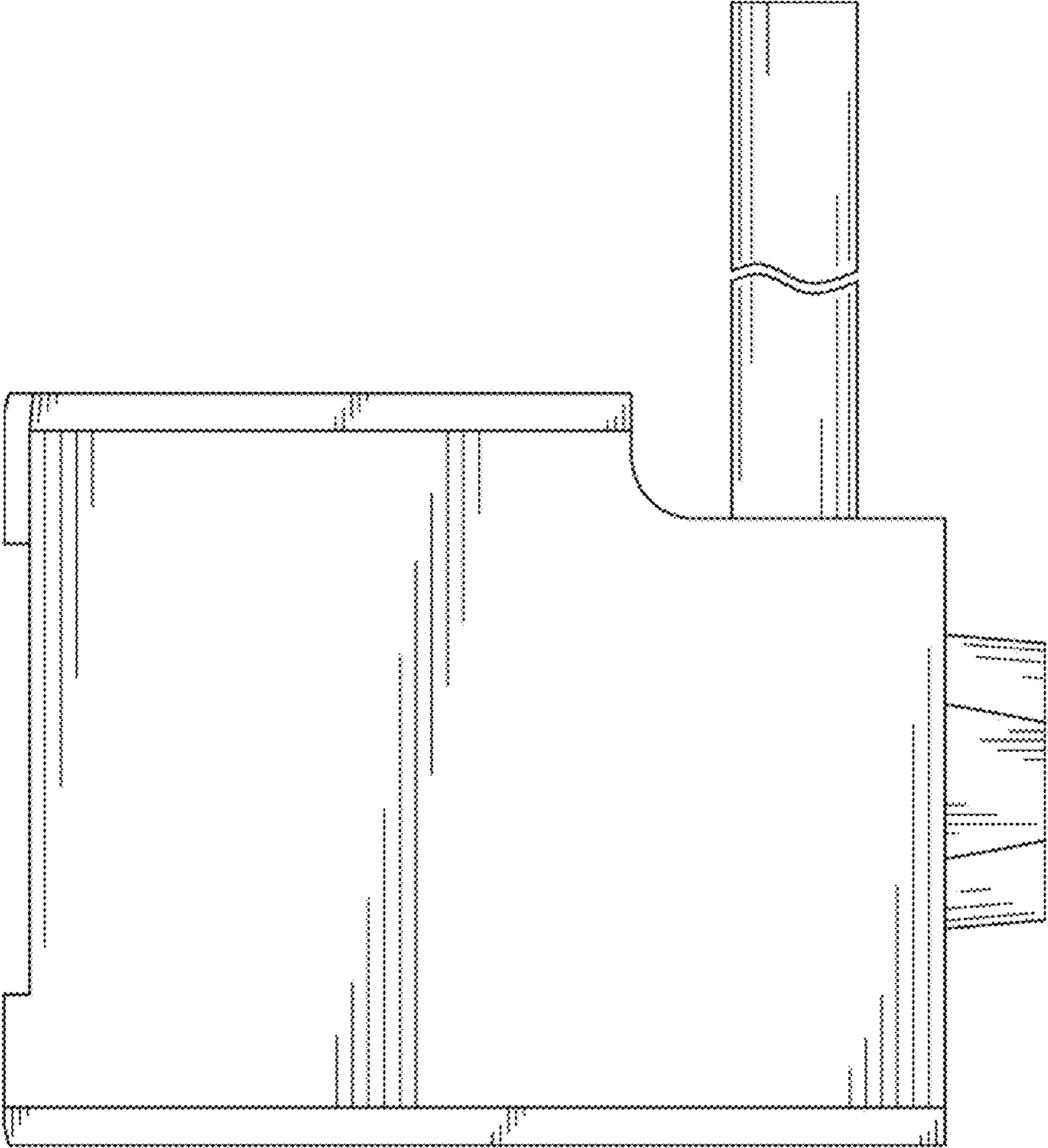


FIG. 2

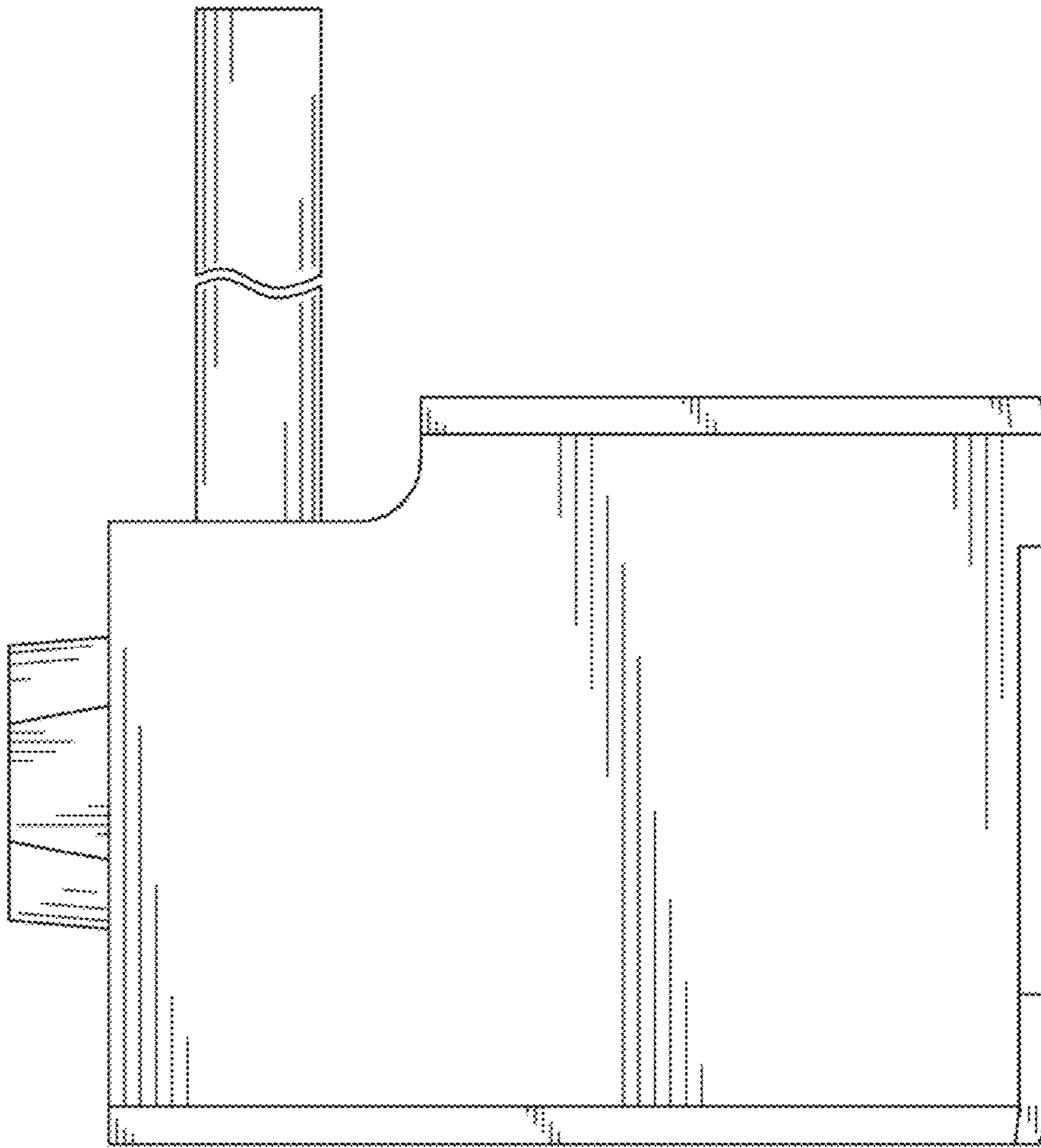


FIG. 3

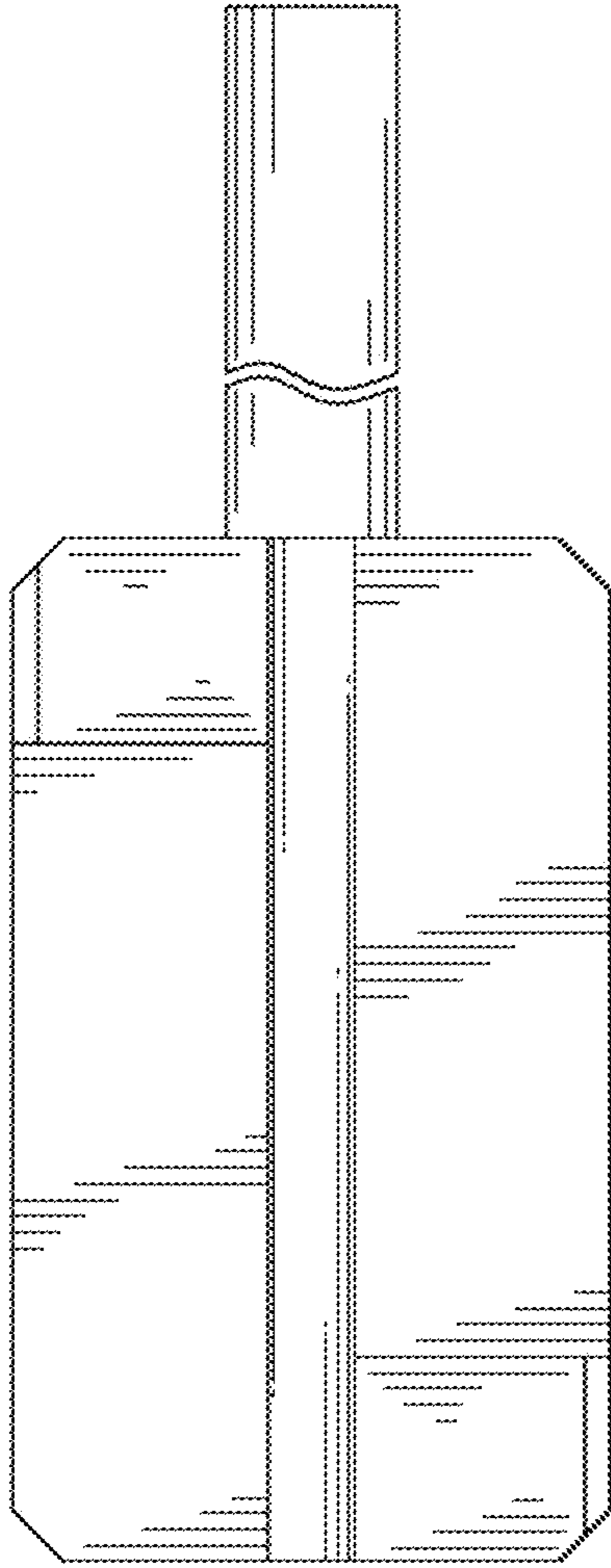


FIG. 4

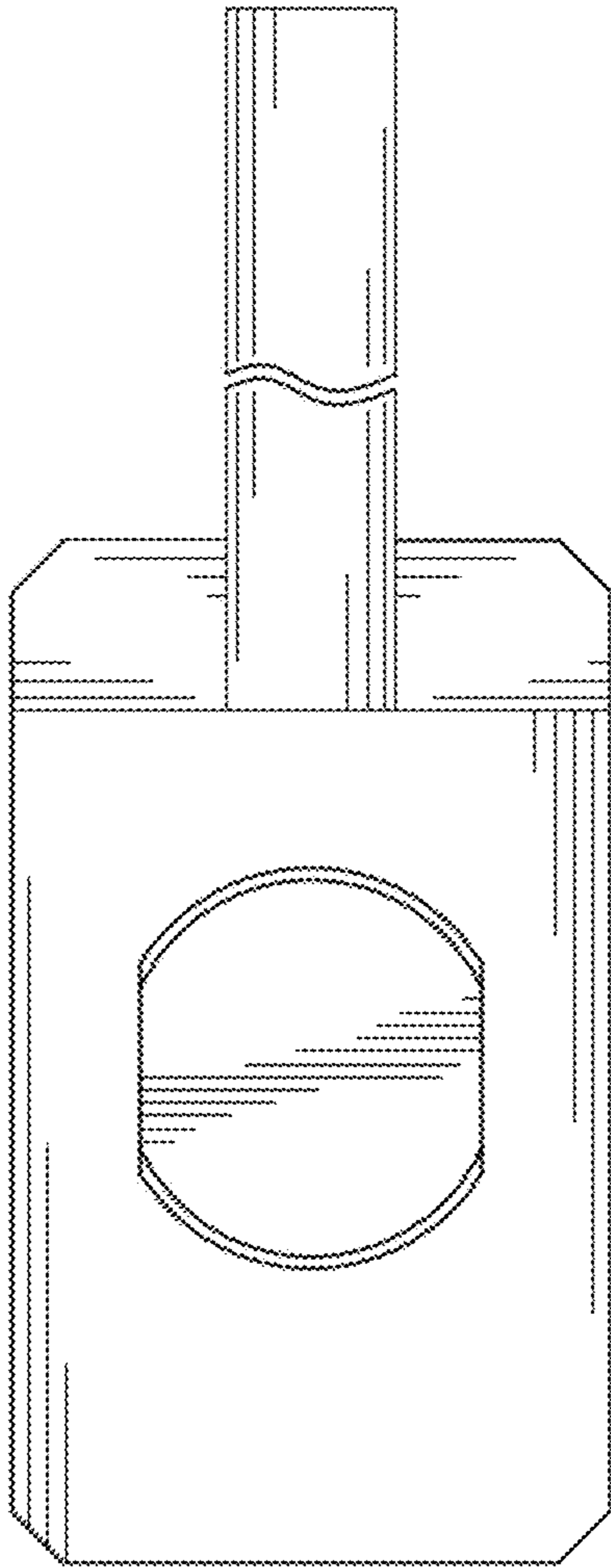


FIG. 5

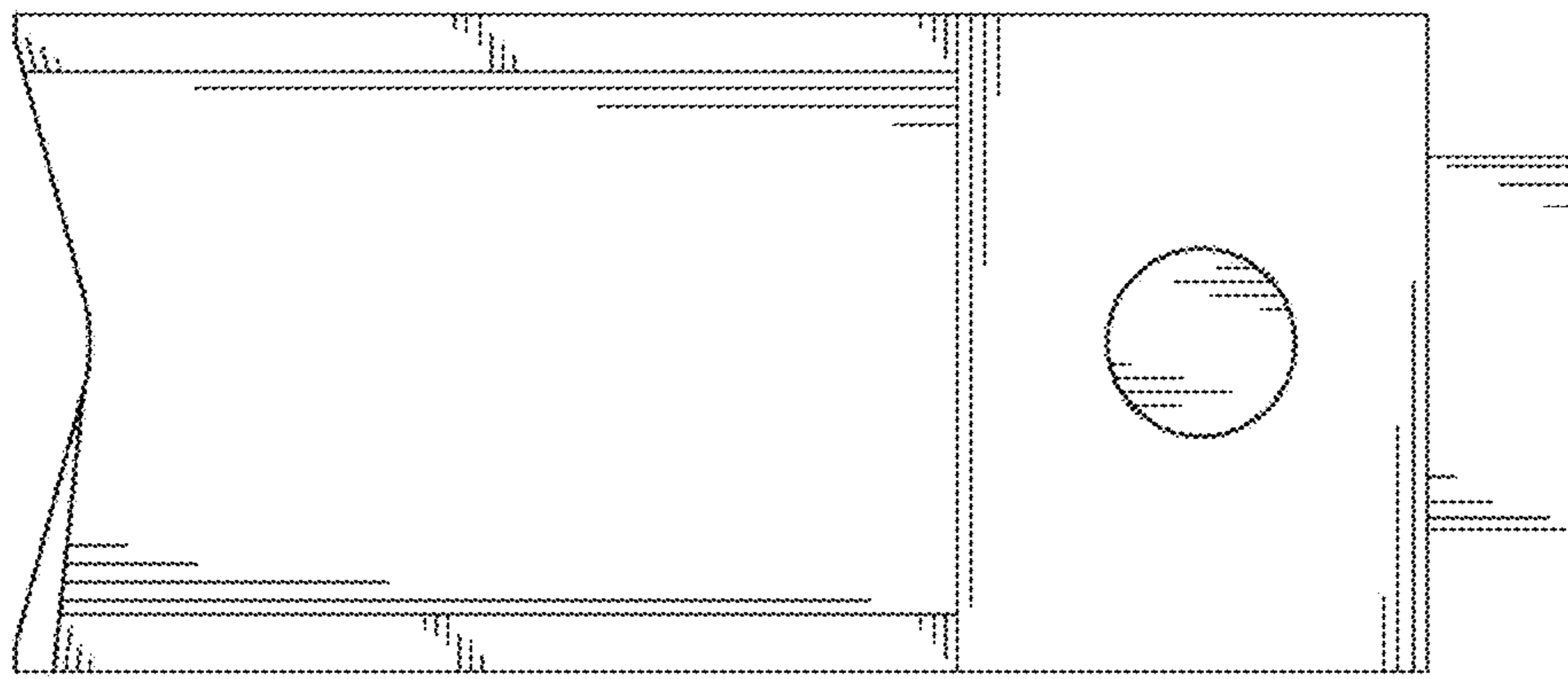


FIG. 6

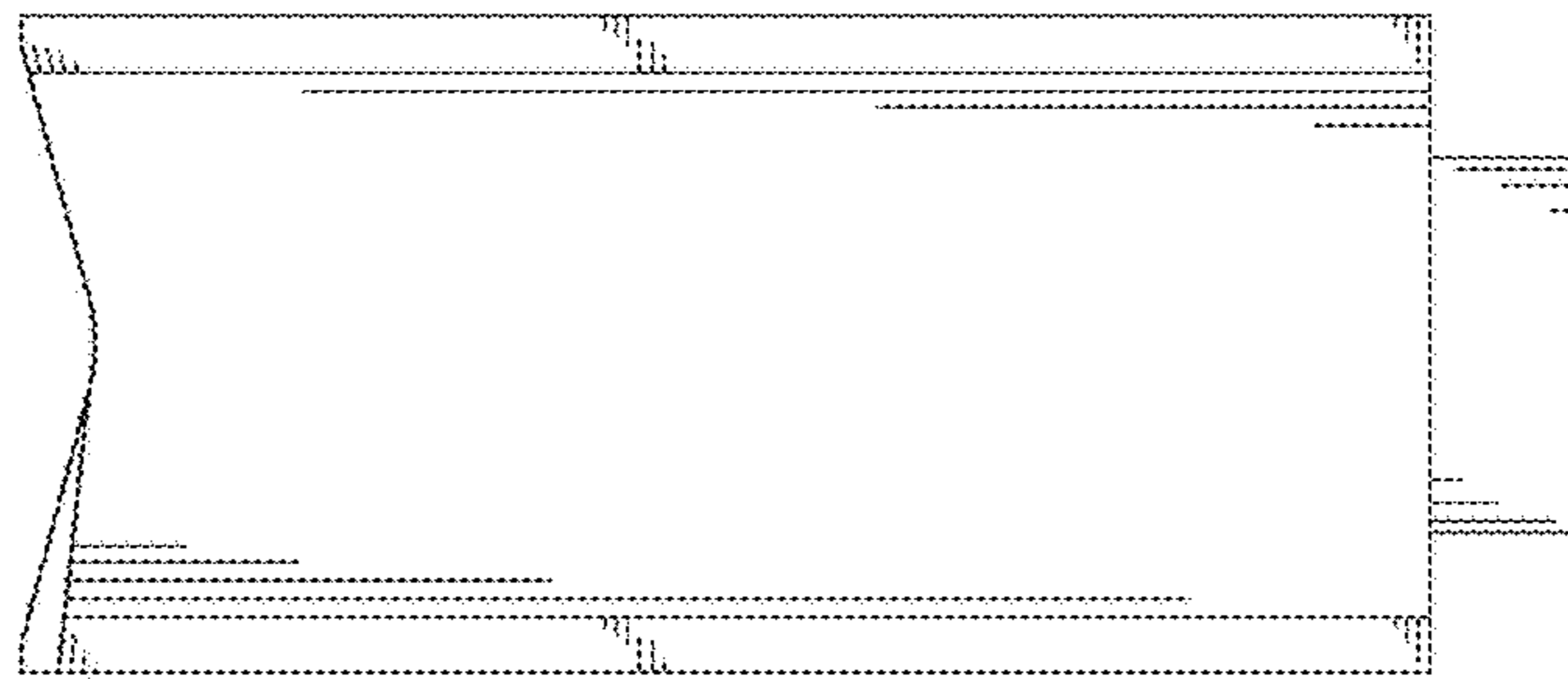


FIG. 7