



US00D790468S

(12) **United States Design Patent**
Kokura

(10) **Patent No.:** **US D790,468 S**

(45) **Date of Patent:** **** Jun. 27, 2017**

(54) **COIL BOBBIN FOR TRANSFORMER**

(71) Applicant: **NISHIMOTO GOSEI HANBAI CO., LTD.**, Hirakata-shi, Osaka (JP)

(72) Inventor: **Shiro Kokura**, Kizugawa (JP)

(73) Assignee: **NISHIMOTO GOSEI HANBAI CO., LTD.**, Hirakata-shi (JP)

(**) Term: **14 Years**

(21) Appl. No.: **29/500,000**

(22) Filed: **Aug. 20, 2014**

(30) **Foreign Application Priority Data**

Feb. 26, 2014 (JP) D2014-003903
Feb. 26, 2014 (JP) D2014-003904
Mar. 5, 2014 (JP) D2014-004672

(51) **LOC (10) Cl.** **13-02**

(52) **U.S. Cl.**
USPC **D13/117**

(58) **Field of Classification Search**

USPC D13/101, 117, 118, 133, 179, 183, 184;
123/634; 336/83, 90, 92, 96, 160, 178,
336/192, 198, 200
CPC H01F 27/04; H01F 27/24; H01F 27/28;
H01F 27/29; H01F 27/30; H01F 27/34;
H01F 27/245; H01F 27/255; H01F
27/292; H01F 27/306; H01F 27/2804;
H01F 27/2823; H01F 27/2847; H01F
17/043; H01F 17/045; H01F 37/00;
H02M 3/28

See application file for complete search history.

(56) **References Cited**

U.S. PATENT DOCUMENTS

5,670,925 A * 9/1997 Gibbs H01F 38/10
336/198
6,373,366 B1 * 4/2002 Sato H01F 17/045
336/192

6,522,230 B2 * 2/2003 Hanato H01F 17/045
336/192
6,765,468 B2 * 7/2004 Chen H01F 17/04
336/192
7,129,810 B1 * 10/2006 Kimura H01F 17/043
336/200
D586,745 S * 2/2009 Shibata D13/117
7,598,837 B2 * 10/2009 Gilmartin H01F 17/043
336/192
D665,740 S * 8/2012 Yamada D13/117
8,643,455 B2 * 2/2014 Ogawa H01F 27/027
336/192
D734,257 S * 7/2015 Maeda D13/110
9,275,787 B2 * 3/2016 Yan H01F 17/04

* cited by examiner

Primary Examiner — Derrick Holland

(74) *Attorney, Agent, or Firm* — Kratz, Quintos & Hanson, LLP

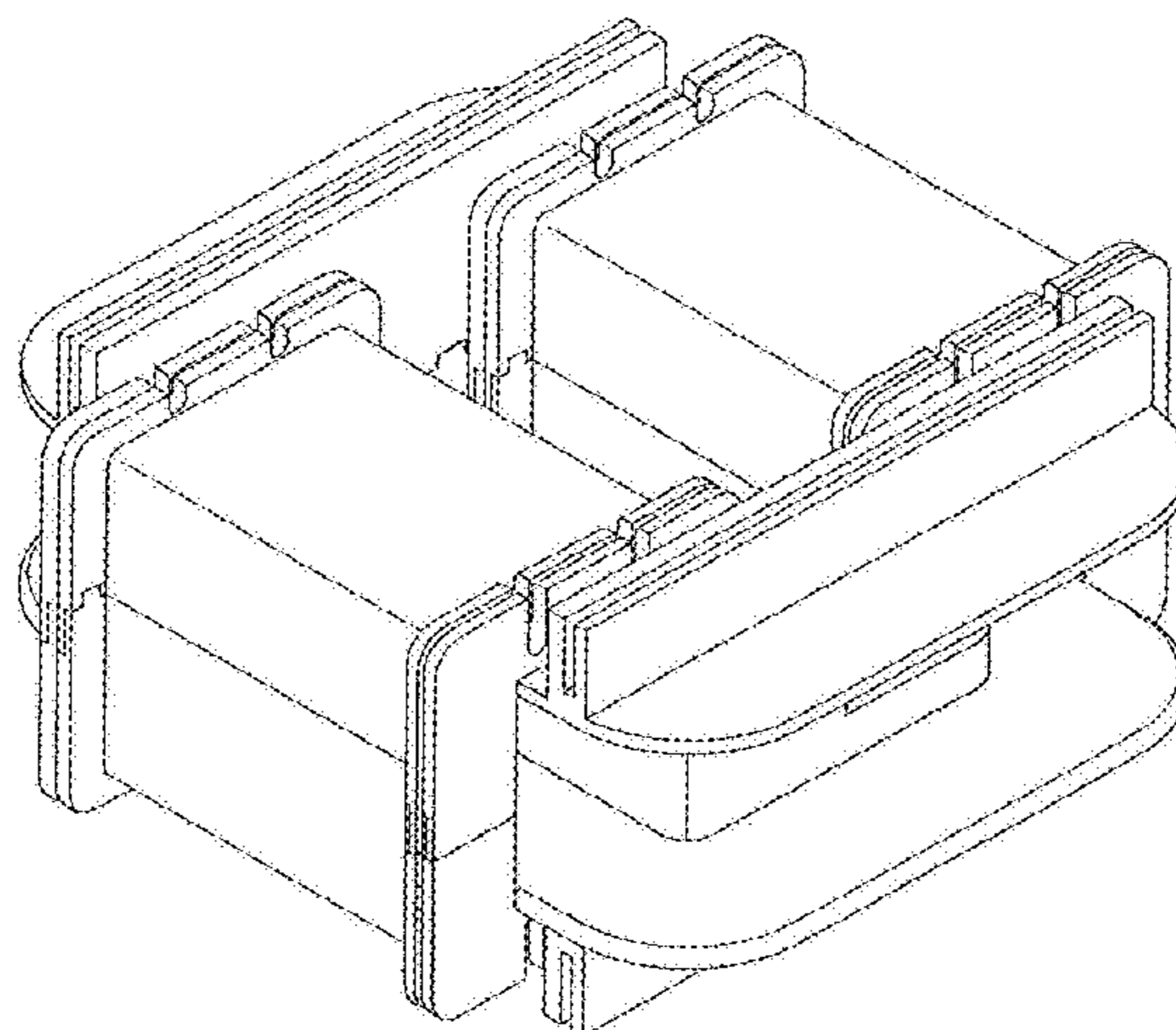
(57) **CLAIM**

The ornamental design for a coil bobbin for transformer, as shown and described.

DESCRIPTION

FIG. 1 is a perspective view of a coil bobbin for transformer according to the claimed design;
FIG. 2 is a front elevation view thereof;
FIG. 3 is a back elevation view thereof;
FIG. 4 is a right side elevation view thereof;
FIG. 5 is a left side elevation view thereof;
FIG. 6 is a top plan view thereof;
FIG. 7 is a bottom plan view thereof;
FIG. 8 is a cross-sectional view thereof, taken along line 8-8 of FIG. 2; and,
FIG. 9 is an exploded perspective view thereof.

1 Claim, 9 Drawing Sheets



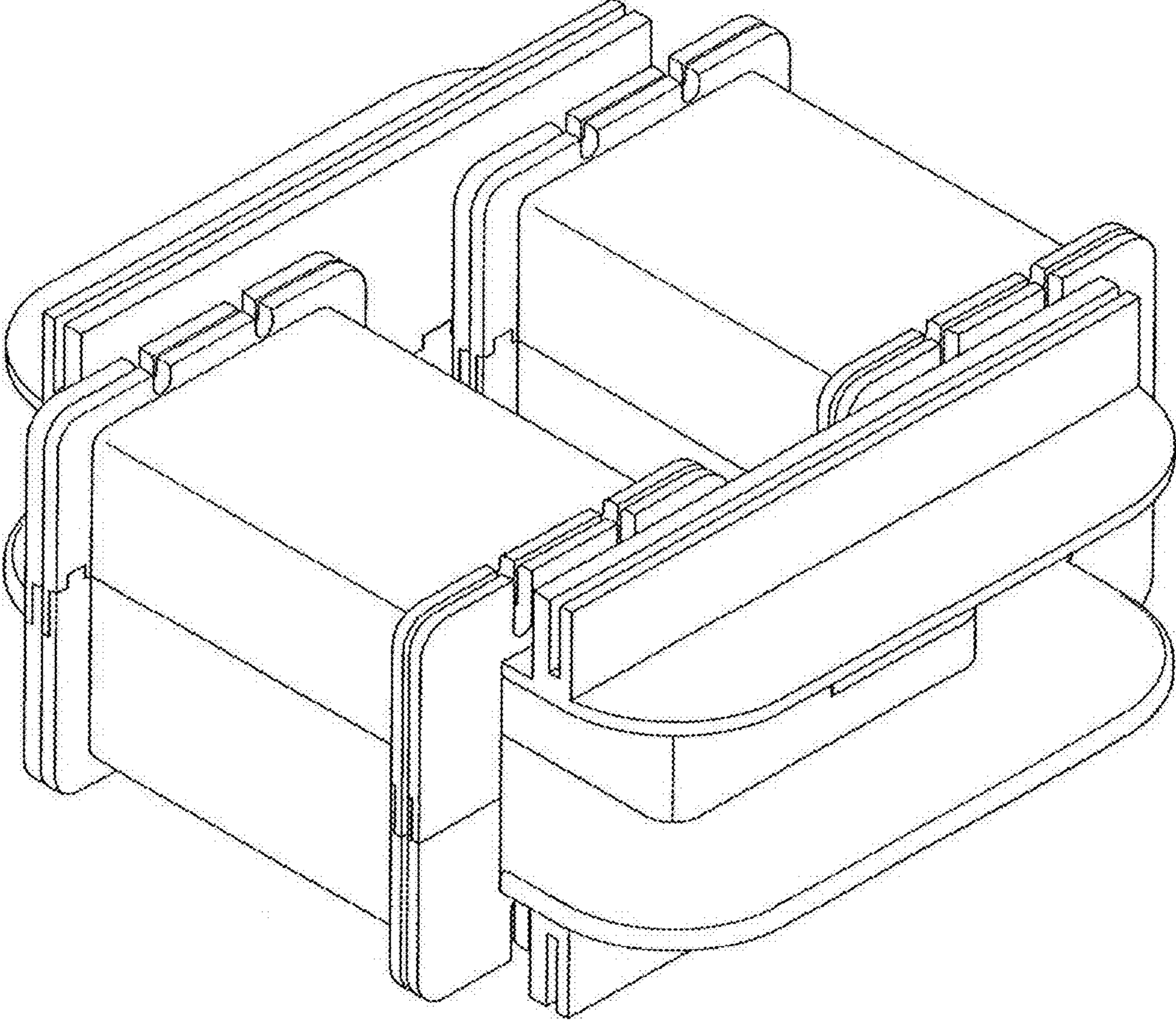


FIG. 1

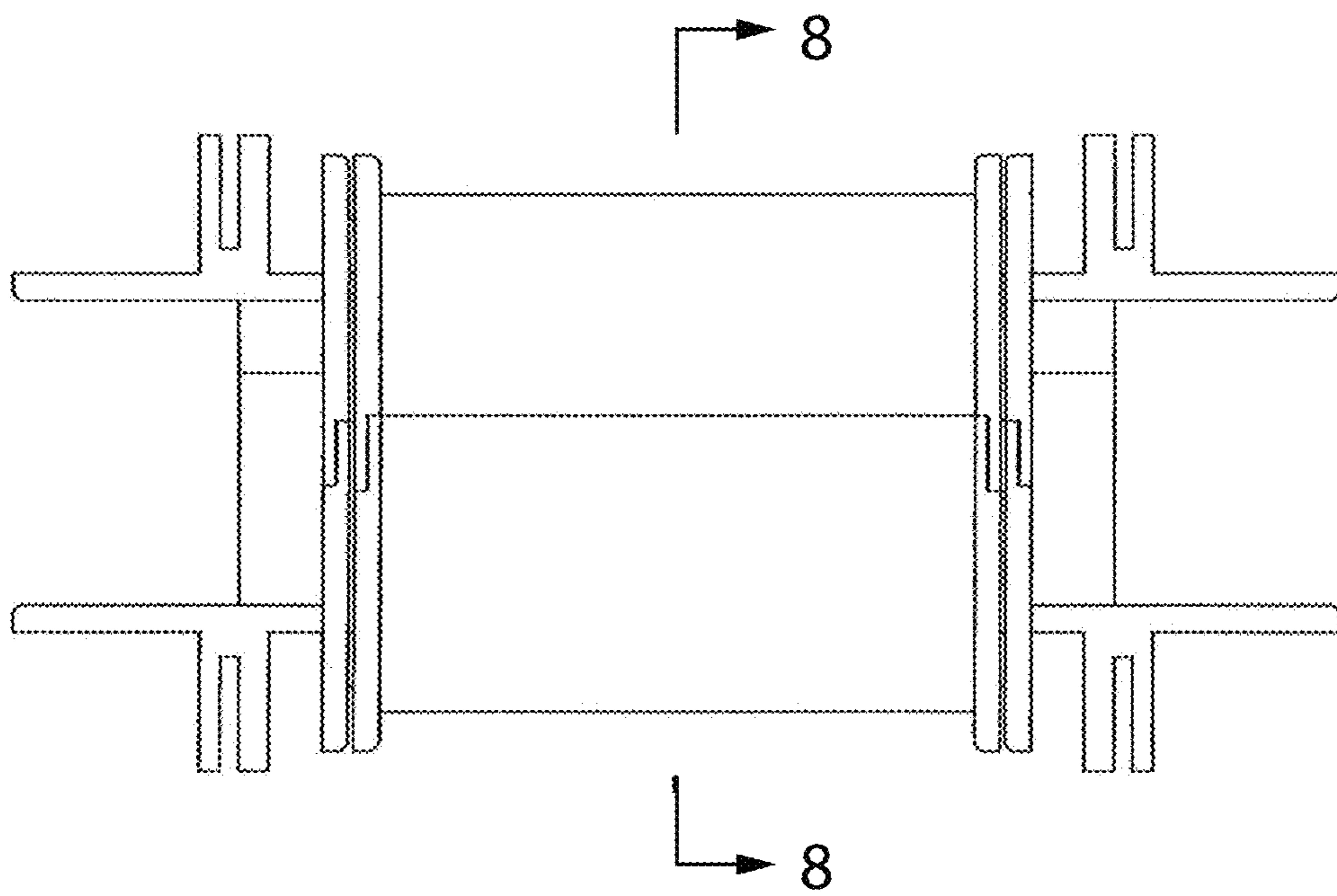


FIG. 2

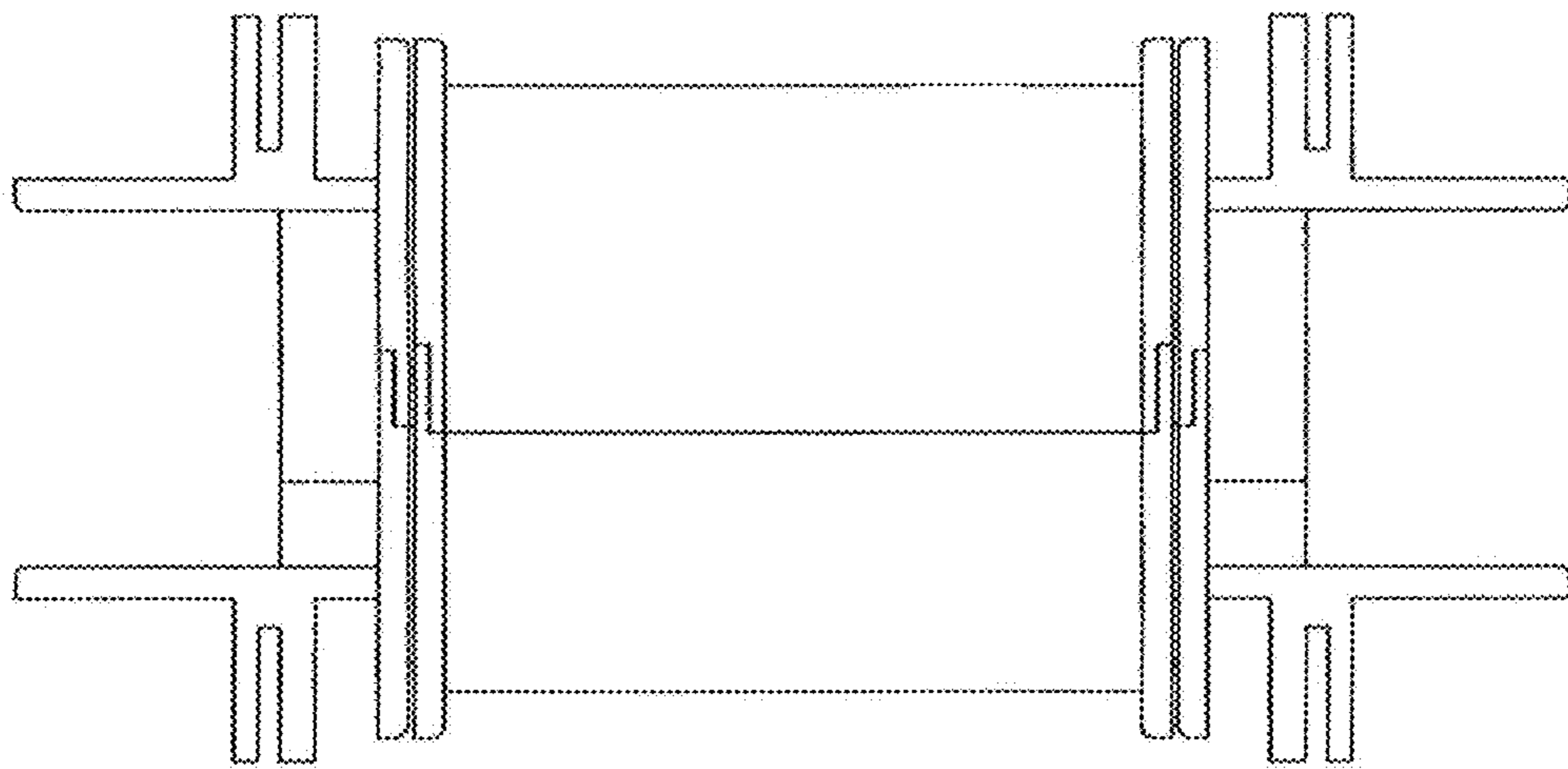


FIG. 3

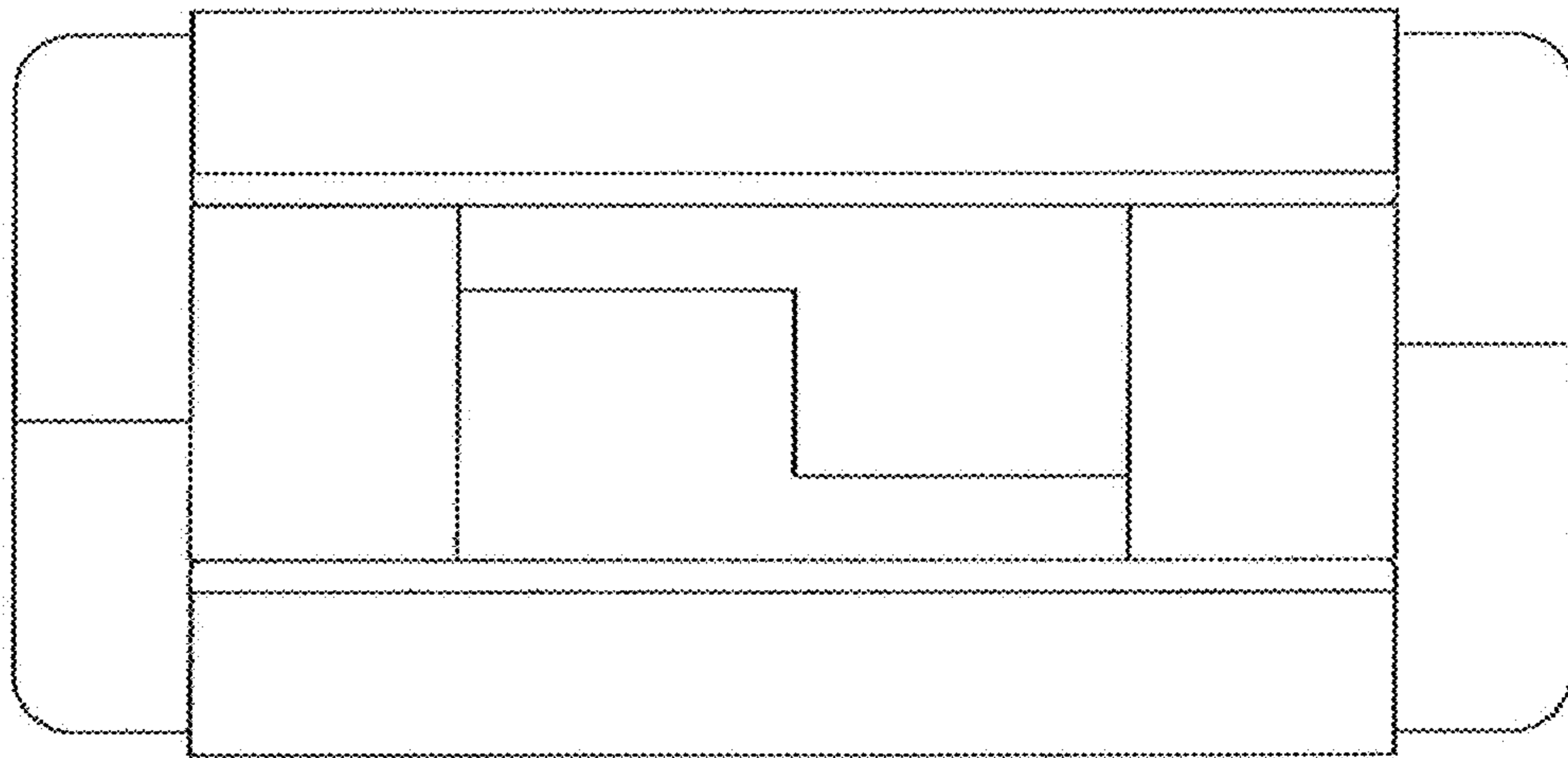


FIG. 4

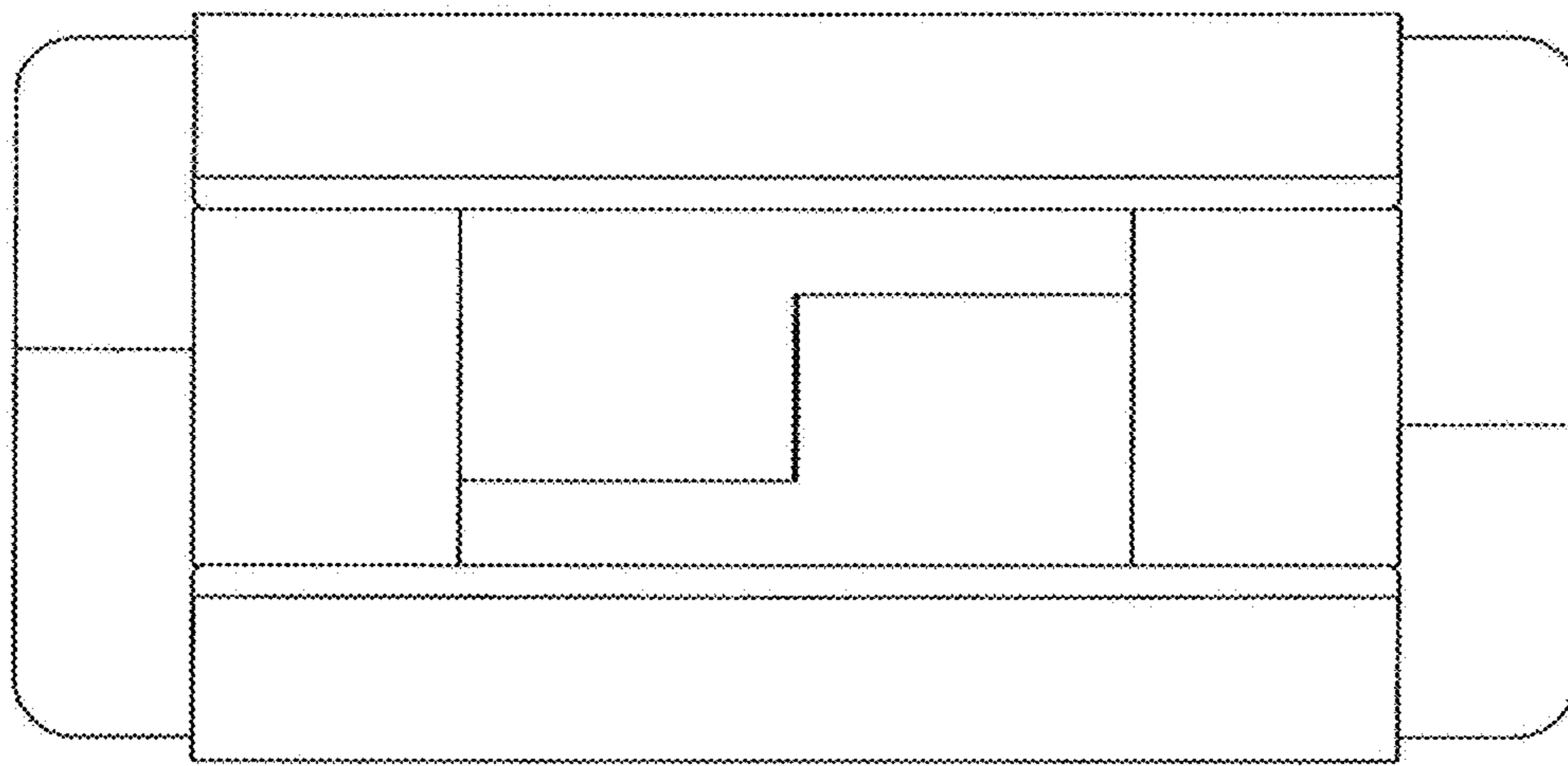


FIG. 5

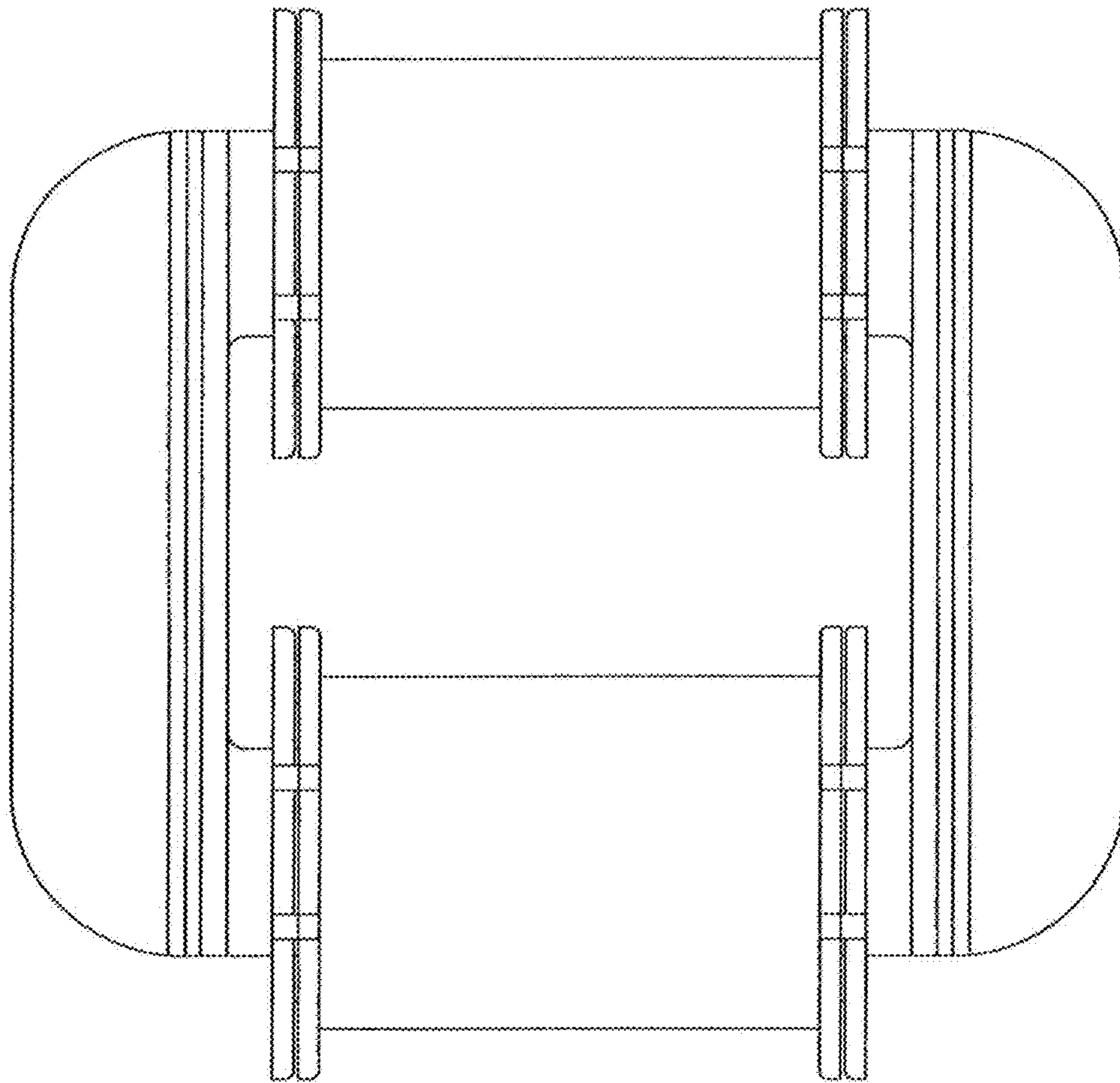


FIG. 6

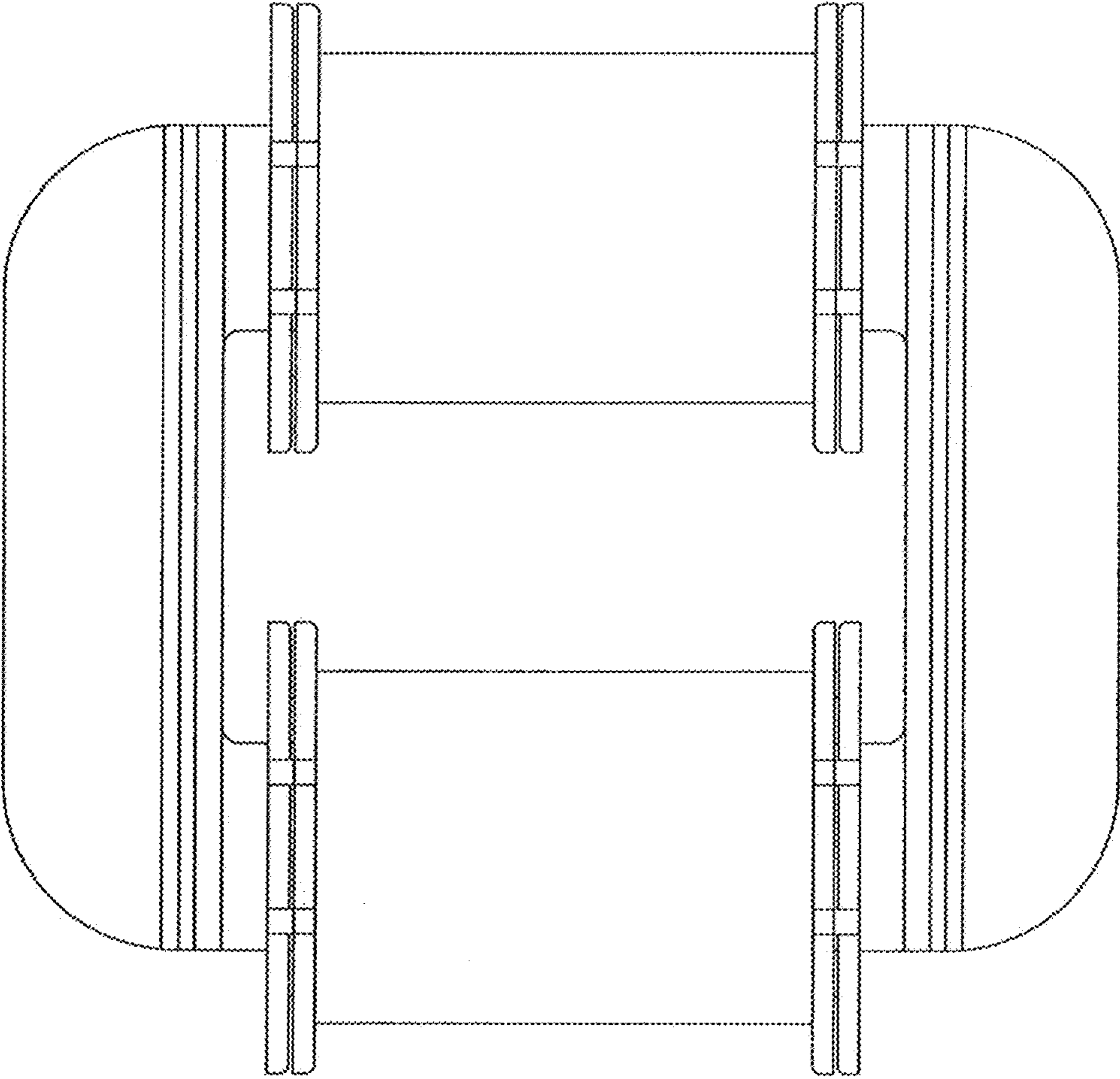


FIG. 7

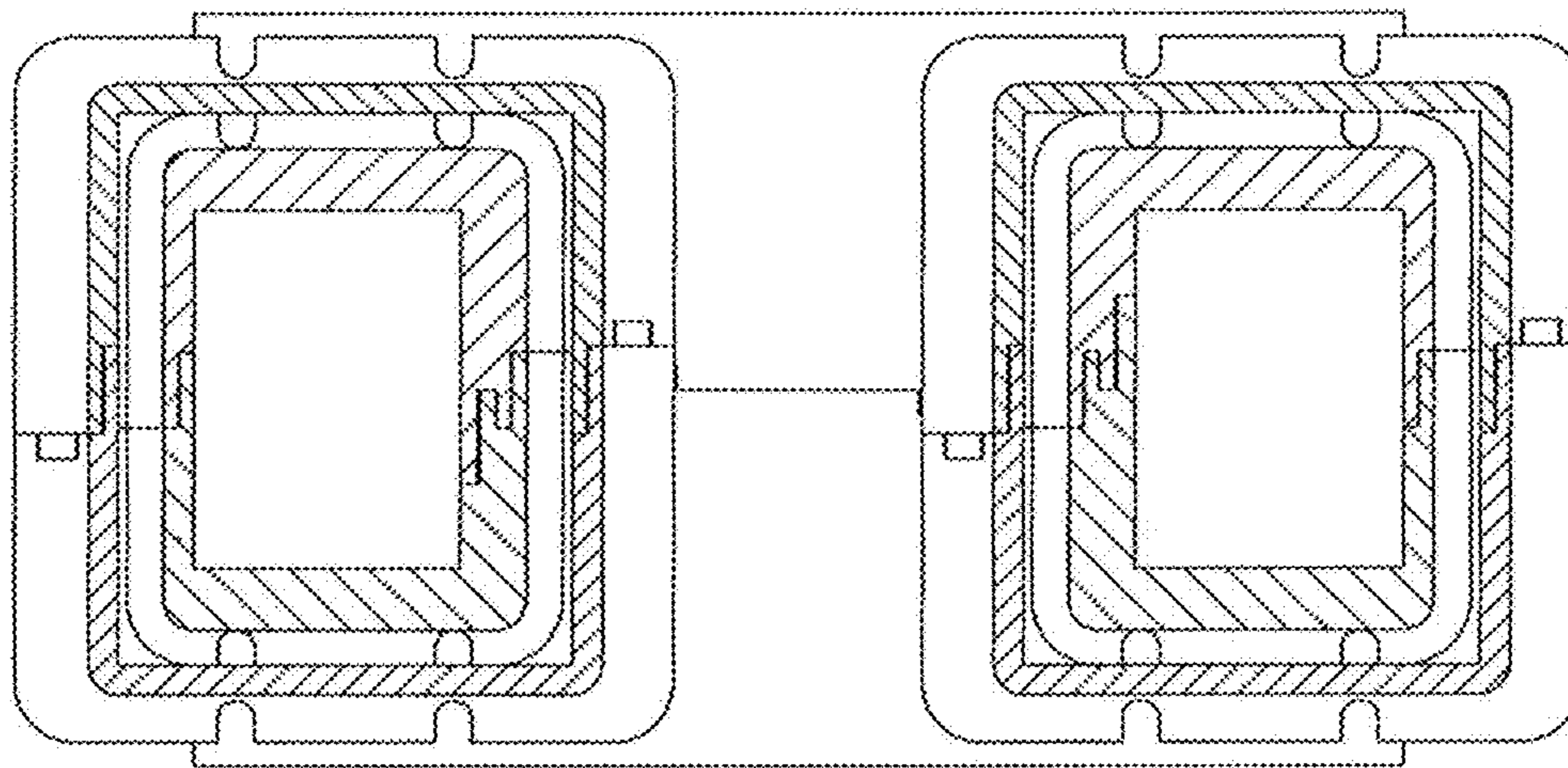


FIG. 8

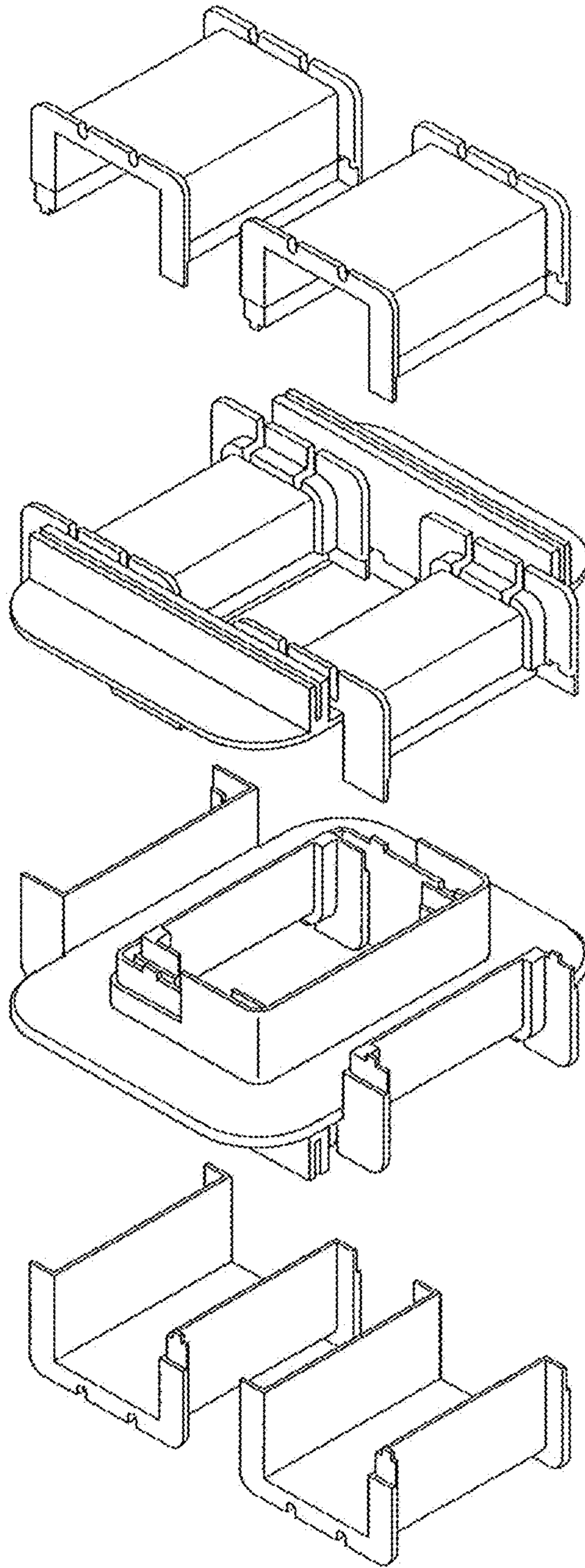


FIG. 9