

US00D790467S

(12) **United States Design Patent**
Marth

(10) **Patent No.:** **US D790,467 S**

(45) **Date of Patent:** **** Jun. 27, 2017**

- (54) **ELECTRIC MOTOR**
- (71) Applicant: **PHYSIK INSTRUMENTE (PI) GMBH & CO. KG, Karlsruhe (DE)**
- (72) Inventor: **Harry Marth, Waldbronn (DE)**
- (**) Term: **15 Years**
- (21) Appl. No.: **35/500,353**
- (22) Filed: **Oct. 12, 2015**
- (80) **Hague Agreement Data**
 Int. Filing Date: **Oct. 12, 2015**
 Int. Reg. No.: **DM/088407**
 Int. Reg. Date: **Oct. 12, 2015**
 Int. Reg. Pub. Date: **Dec. 11, 2015**
- (51) **LOC (10) Cl.** **13-03**
- (52) **U.S. Cl.**
 USPC **D13/112**
- (58) **Field of Classification Search**
 USPC D13/112, 122, 114, 110, 118; D12/220;
 D23/411; D15/5; 310/268; 165/183;
 29/596
 CPC H02P 6/06; F28F 1/20; H02K 5/10
 See application file for complete search history.

- 6,118,197 A * 9/2000 Bohlen H02K 5/10
29/596
- D502,917 S * 3/2005 Bird D13/112
- D540,254 S * 4/2007 Wolf D13/112
- D551,167 S * 9/2007 Kubota D13/112
- D552,543 S * 10/2007 Su D13/118
- D562,237 S * 2/2008 Tu D13/112
- D610,088 S * 2/2010 Becker D13/114
- D611,410 S * 3/2010 Sturm D13/112
- D612,804 S * 3/2010 Schmeisser D13/122
- D642,126 S * 7/2011 Li D13/122
- D647,478 S * 10/2011 Jiang D13/122
- D655,309 S * 3/2012 Headley D15/5
- D680,071 S * 4/2013 Tanabe D13/112
- D696,628 S * 12/2013 Hutchinson D13/114
- D700,575 S * 3/2014 Andersson D13/114
- D705,165 S * 5/2014 Canon D13/114
- D707,257 S * 6/2014 Song D15/5
- D709,450 S * 7/2014 Tanabe D13/112
- D709,451 S * 7/2014 Tanabe D13/112
- D710,306 S * 8/2014 Ohashi D13/122
- D713,339 S * 9/2014 Hutchinson D13/114
- D716,226 S * 10/2014 Lau D13/112
- D722,561 S * 2/2015 Grillenberger D13/122
- D724,622 S * 3/2015 Abe D15/5
- D731,424 S * 6/2015 Kasaba D13/112
- D737,764 S * 9/2015 Janos D13/110
- D737,766 S * 9/2015 Faskin D13/112

(Continued)

Primary Examiner — Rhea Shields

(57) **CLAIM**

The ornamental design for a electric motor, as shown and described.

(56) **References Cited**

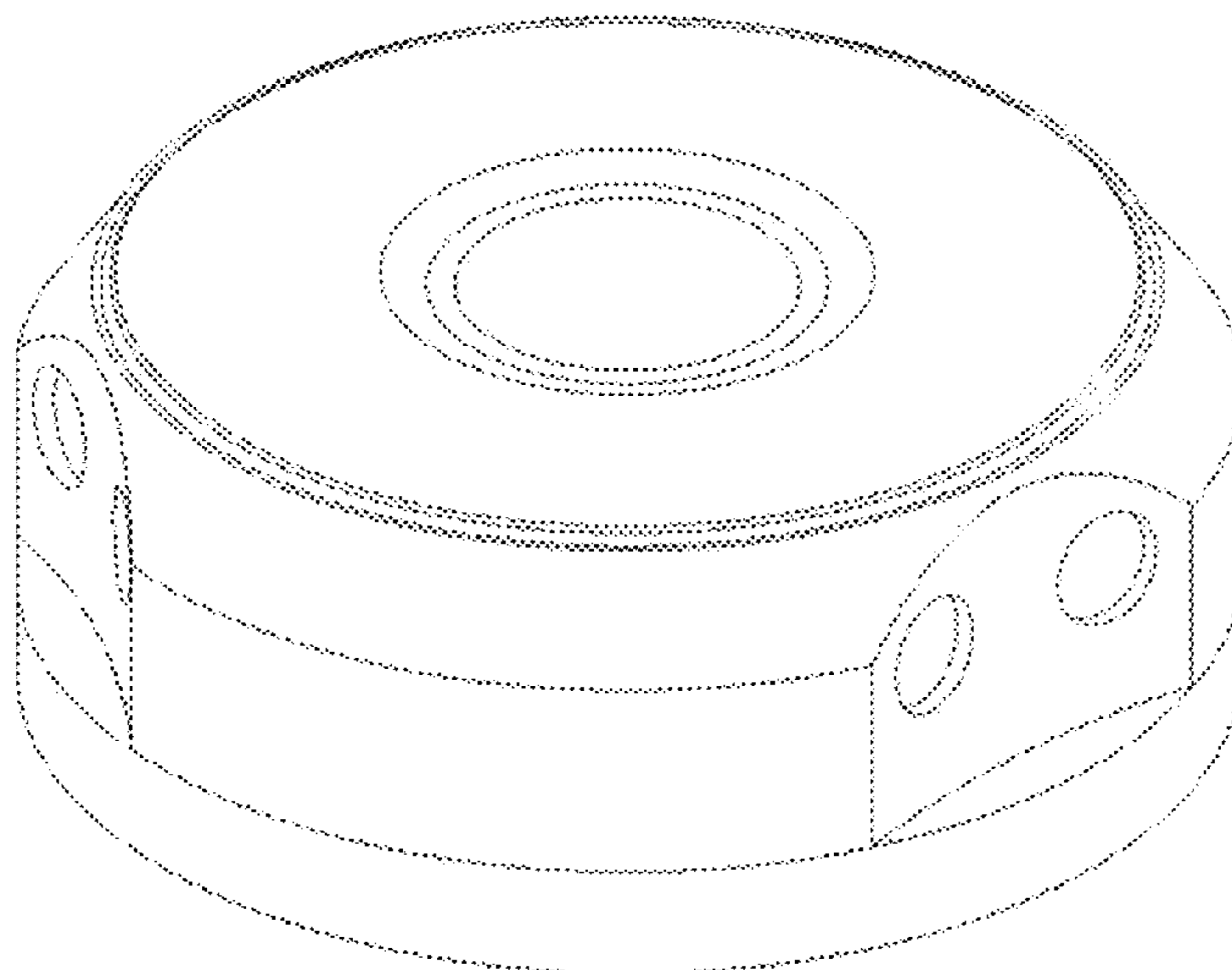
U.S. PATENT DOCUMENTS

- 4,093,897 A * 6/1978 Fujita H02P 6/06
310/268
- 4,244,098 A * 1/1981 Barcus F28F 1/20
165/183
- D345,138 S * 3/1994 Powers D13/112
- D360,615 S * 7/1995 Sakashita D13/112
- D363,264 S * 10/1995 Mullin D12/220
- D368,069 S * 3/1996 Sakashita D13/112
- D401,553 S * 11/1998 Pearce D13/112
- D401,687 S * 11/1998 Pearce D23/411
- D409,564 S * 5/1999 Koshida D13/112

DESCRIPTION

- 1. Electric motor
- 1.1: Perspective
- 1.2: Top
- 1.3: Front
- 1.4: Back
- 1.5: Back
- 1.6: Front

1 Claim, 6 Drawing Sheets



(56)

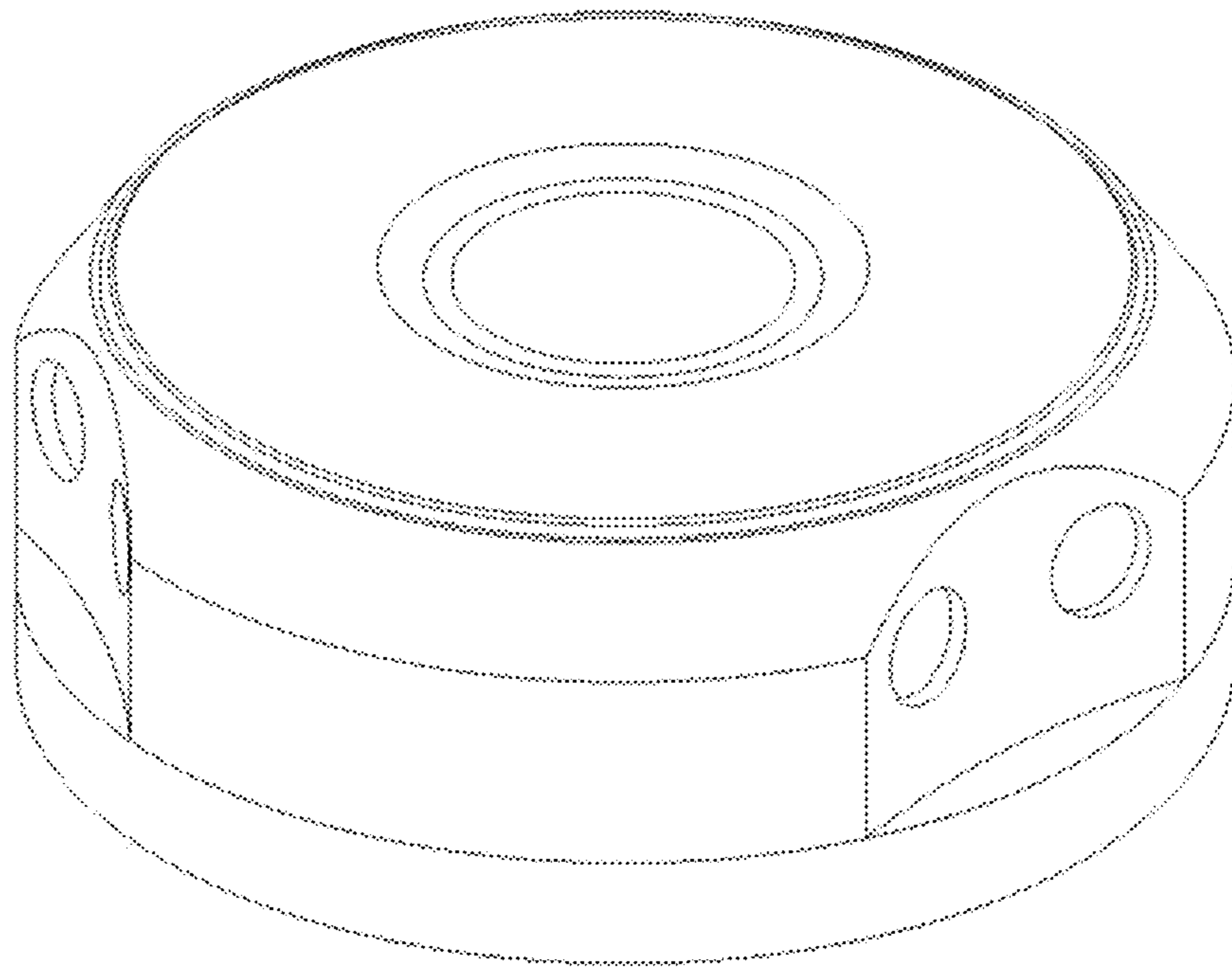
References Cited

U.S. PATENT DOCUMENTS

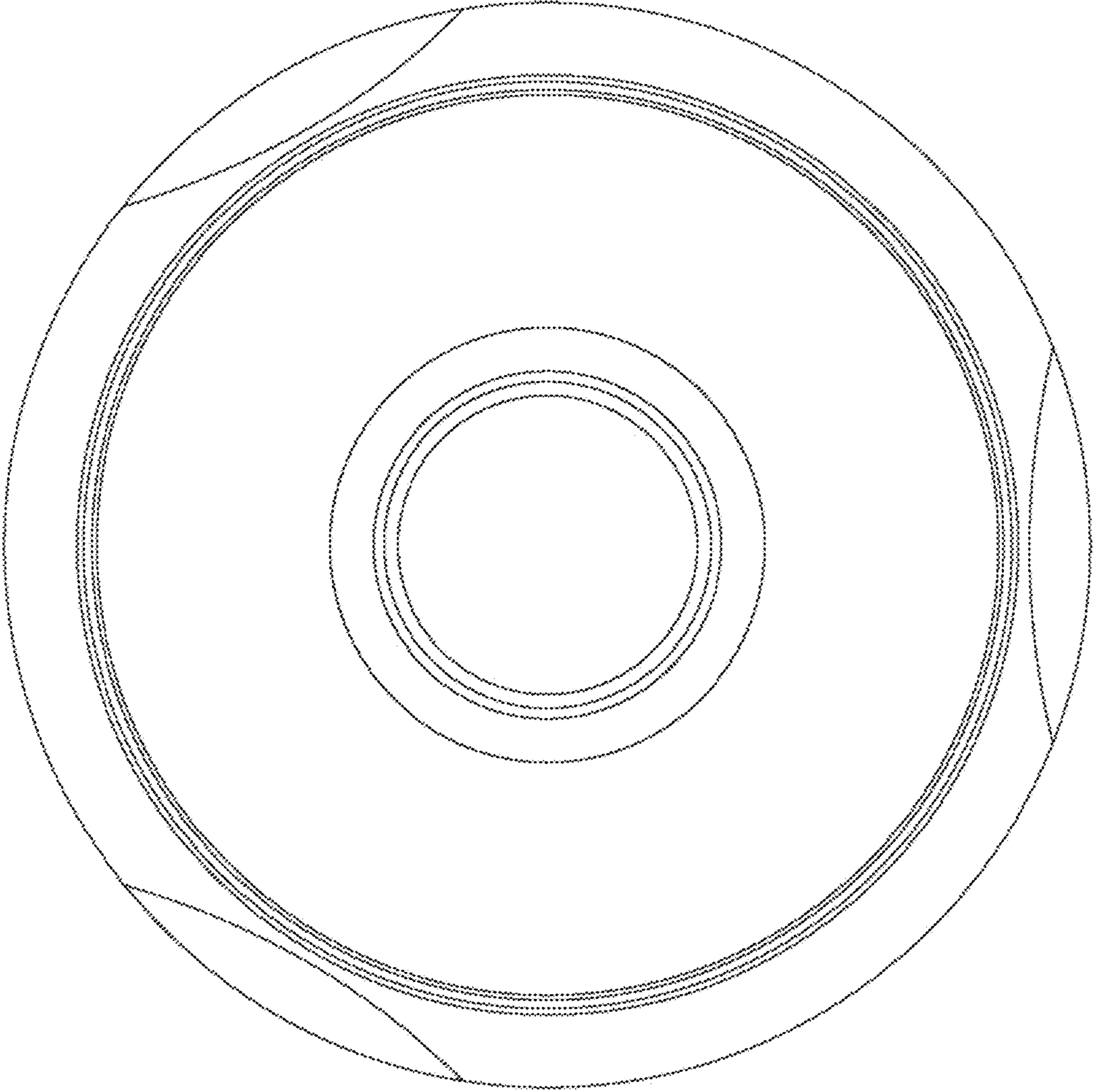
D741,260 S	*	10/2015	Yabuuchi	D13/112
D742,316 S	*	11/2015	Sato	D13/112
D751,036 S	*	3/2016	Svensson	D13/112
D753,591 S	*	4/2016	Noda	D13/112
D762,580 S	*	8/2016	Wilkins	D13/122

* cited by examiner

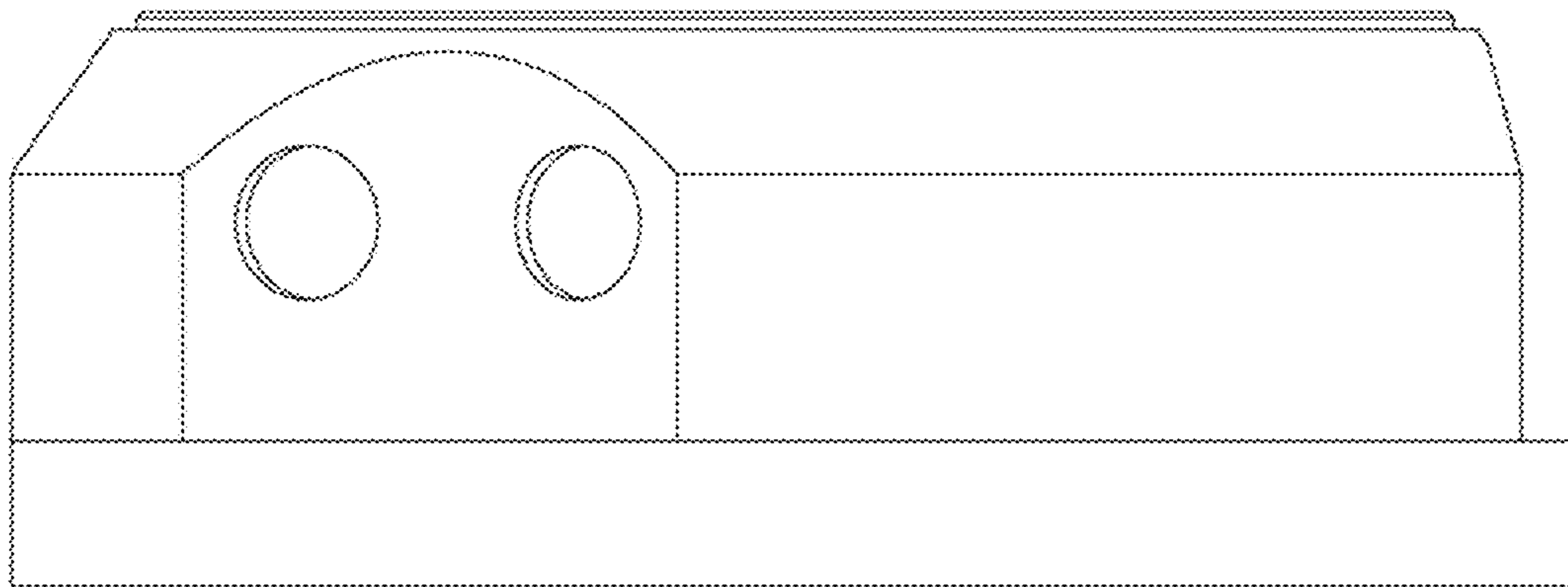
1.1



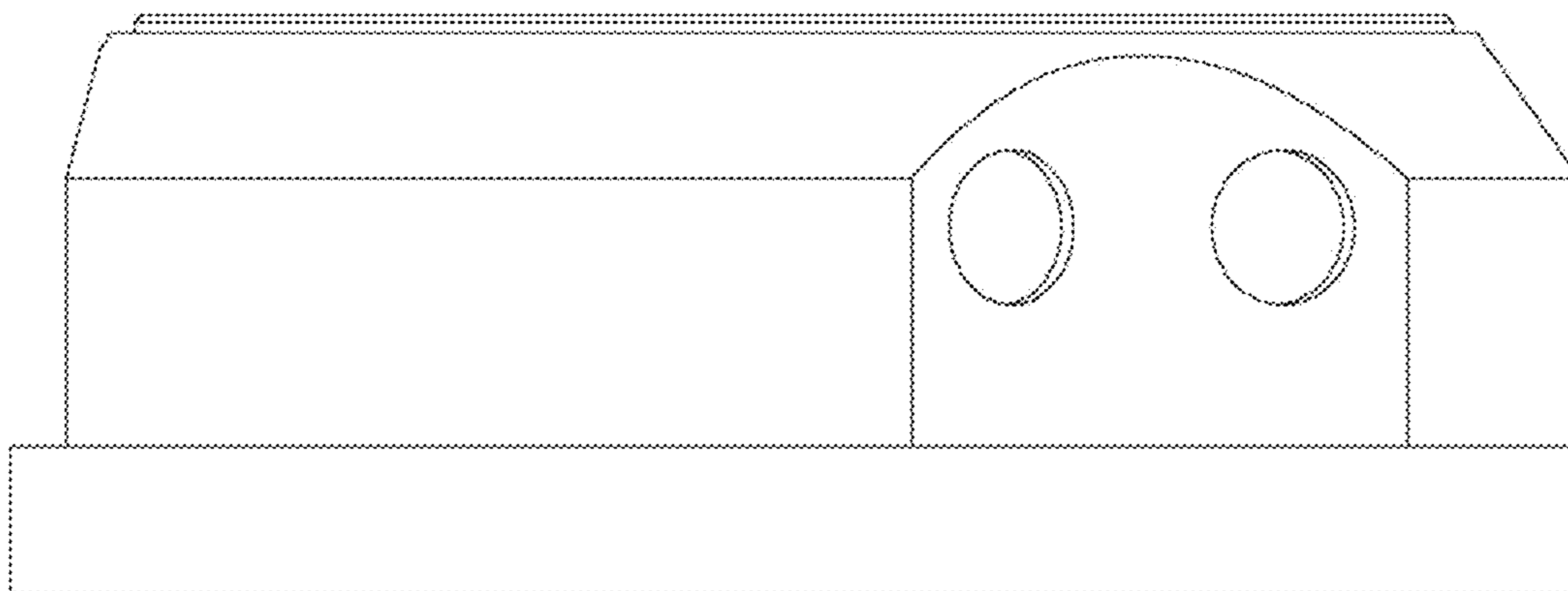
1.2



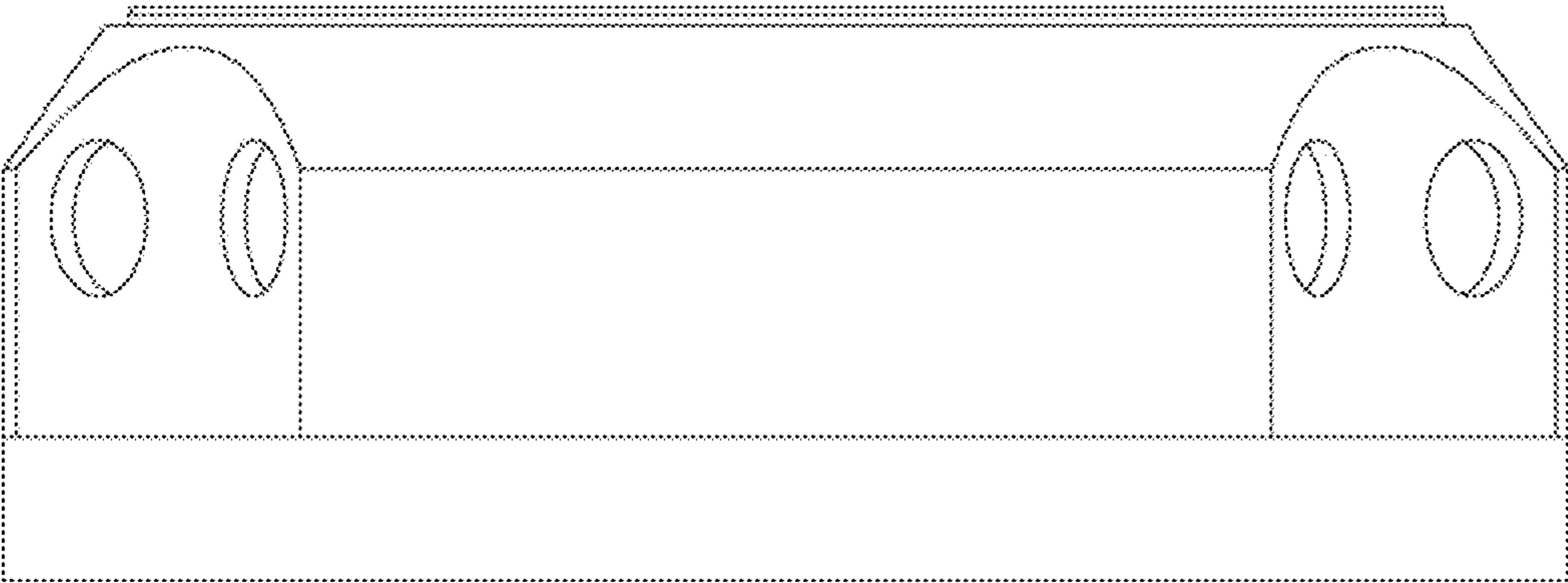
1.3



1.4



1.5



1.6

