



US00D790465S

(12) **United States Design Patent**
Zhao

(10) **Patent No.:** **US D790,465 S**
(45) **Date of Patent:** **** Jun. 27, 2017**

(54) **POWER ADAPTER**

(71) Applicant: **Zeshun Zhao**, Jinpenxu Town (CN)

(72) Inventor: **Zeshun Zhao**, Jinpenxu Town (CN)

(73) Assignee: **DONGGUAN ZHAOSHUN ELECTRONICS TECHNOLOGY CO., LTD**, Dongguan (CN)

(**) Term: **15 Years**

(21) Appl. No.: **29/568,574**

(22) Filed: **Jun. 20, 2016**

(51) **LOC (10) Cl.** **13-02**

(52) **U.S. Cl.**
USPC **D13/110**

(58) **Field of Classification Search**
USPC D13/101, 102, 107, 108, 110, 112, 118, D13/119, 123, 133, 138.1, 162, 184, 199
CPC H02P 27/04; H02P 27/06; H02P 27/047; H02P 2201/09; H02P 2201/11; H02M 2001/0067; H02M 2001/007; H02M 2001/0045; H02M 2001/0083; H02M 2001/009; G06F 1/00; G06F 1/188; G06F 1/189; G06F 1/26; G06F 11/2015; H01R 13/66; H01R 13/60; H01R 13/72; H01R 13/6675; H01R 31/065; H05K 5/0021; H05K 5/0208; H05K 5/0247; H05K 5/00
See application file for complete search history.

(56) **References Cited**

U.S. PATENT DOCUMENTS

D601,500 S * 10/2009 Green D13/110
D610,993 S * 3/2010 Fahrendorff D13/138.1
D611,409 S * 3/2010 Green D13/110
D611,415 S * 3/2010 Andre D13/108
D623,136 S * 9/2010 Andre D13/108
D631,885 S * 2/2011 Maier D14/435.1
D643,807 S * 8/2011 Jiang D13/103
D653,213 S * 1/2012 Andre D13/138.1

D660,796 S * 5/2012 Wen D13/110
D671,489 S * 11/2012 Zaslavsky D13/110
D673,909 S * 1/2013 Zaslavsky D13/110
D675,158 S * 1/2013 Smith D13/110
D680,070 S * 4/2013 Zaslavsky D13/110
D689,819 S * 9/2013 Olsson D13/110
D693,299 S * 11/2013 Zaslavsky D13/110
D704,630 S * 5/2014 Liu D13/108
D709,032 S * 7/2014 Akana D13/147

(Continued)

OTHER PUBLICATIONS

Amazon.com: USB Charger, UBP Quick Charge, published Mar. 30, 2016. Retrieved from the internet at <<https://www.amazon.com/Charger-UBP-Universal-Adapter-Smartphones/dp/B019C2B13G/>>, Mar. 1, 2017. 1 page.*

(Continued)

Primary Examiner — Rosemary K Tarcza
Assistant Examiner — Christy Nemeth
(74) *Attorney, Agent, or Firm* — Egbert Law Office, PLLC

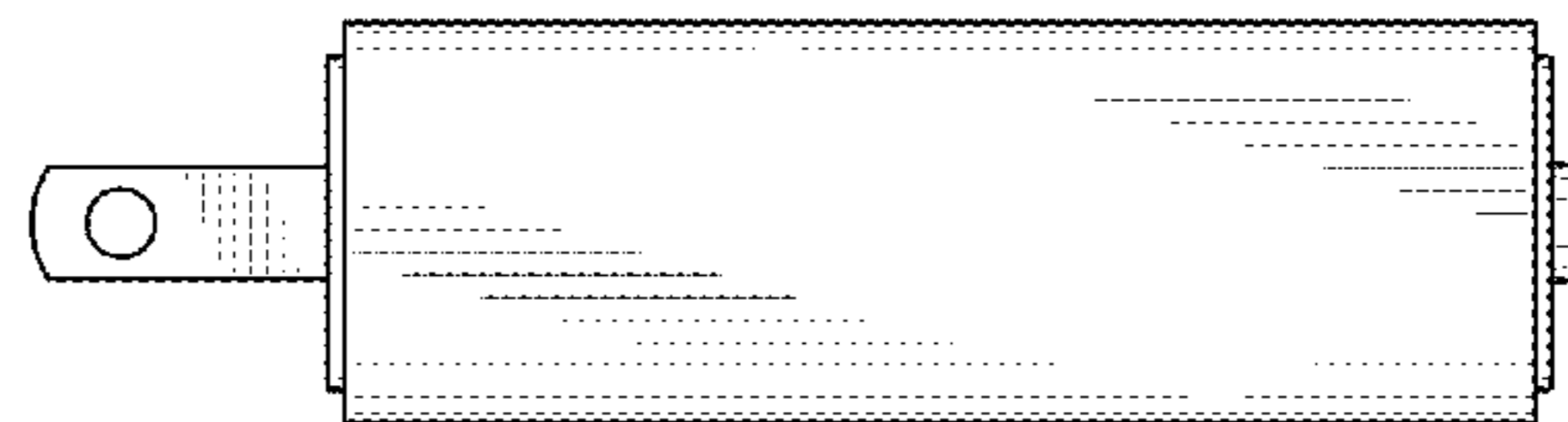
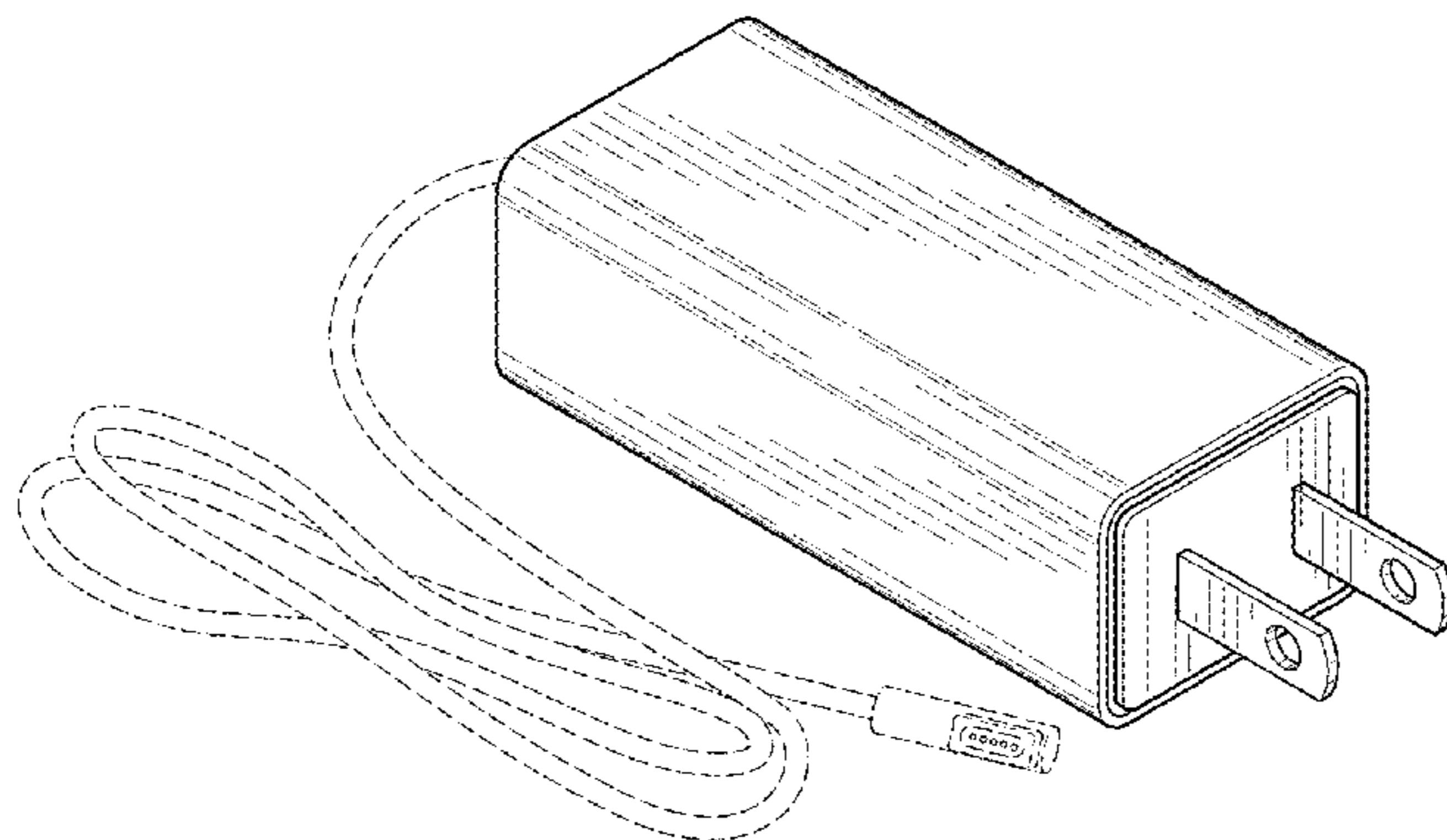
(57) **CLAIM**

The ornamental design for a power adapter, as shown and described.

DESCRIPTION

FIG. 1 is a front perspective view of a power adapter showing my new design.
FIG. 2 is a front view thereof;
FIG. 3 is a rear view thereof.
FIG. 4 is a side view thereof;
FIG. 5 is an opposite side view thereof;
FIG. 6 is a top view thereof;
FIG. 7 is a bottom view thereof; and,
FIG. 8 is a rear perspective view thereof.
The broken lines in the drawings are for the purpose of illustrating portions of the power adapter that form no part of the claimed design.

1 Claim, 2 Drawing Sheets



(56)

References Cited

U.S. PATENT DOCUMENTS

D711,820 S * 8/2014 Zeng D13/103
D732,472 S * 6/2015 Laffon D13/110
D734,259 S * 7/2015 Ceyress D13/110
D742,315 S * 11/2015 Dang D13/110
D745,523 S * 12/2015 Magi D14/433
9,236,699 B2 * 1/2016 Lai H01R 31/065
9,343,850 B2 * 5/2016 Colahan
D759,016 S * 6/2016 Zaslavsky D14/433
2011/0139592 A1 * 6/2011 Su H01R 13/506
200/51.02
2014/0307496 A1 * 10/2014 Su G06F 1/26
363/100
2015/0311656 A1 * 10/2015 Lai H01R 31/065
439/620.22

OTHER PUBLICATIONS

YouTube.com: Finsix—The Small Lightweight Laptop Power Supply, published Jan. 11, 2014. Retrieved from the internet at <https://www.youtube.com/watch?v=Vd8_XzjXmdQ>, Mar. 1, 2017. 1 page.*

* cited by examiner

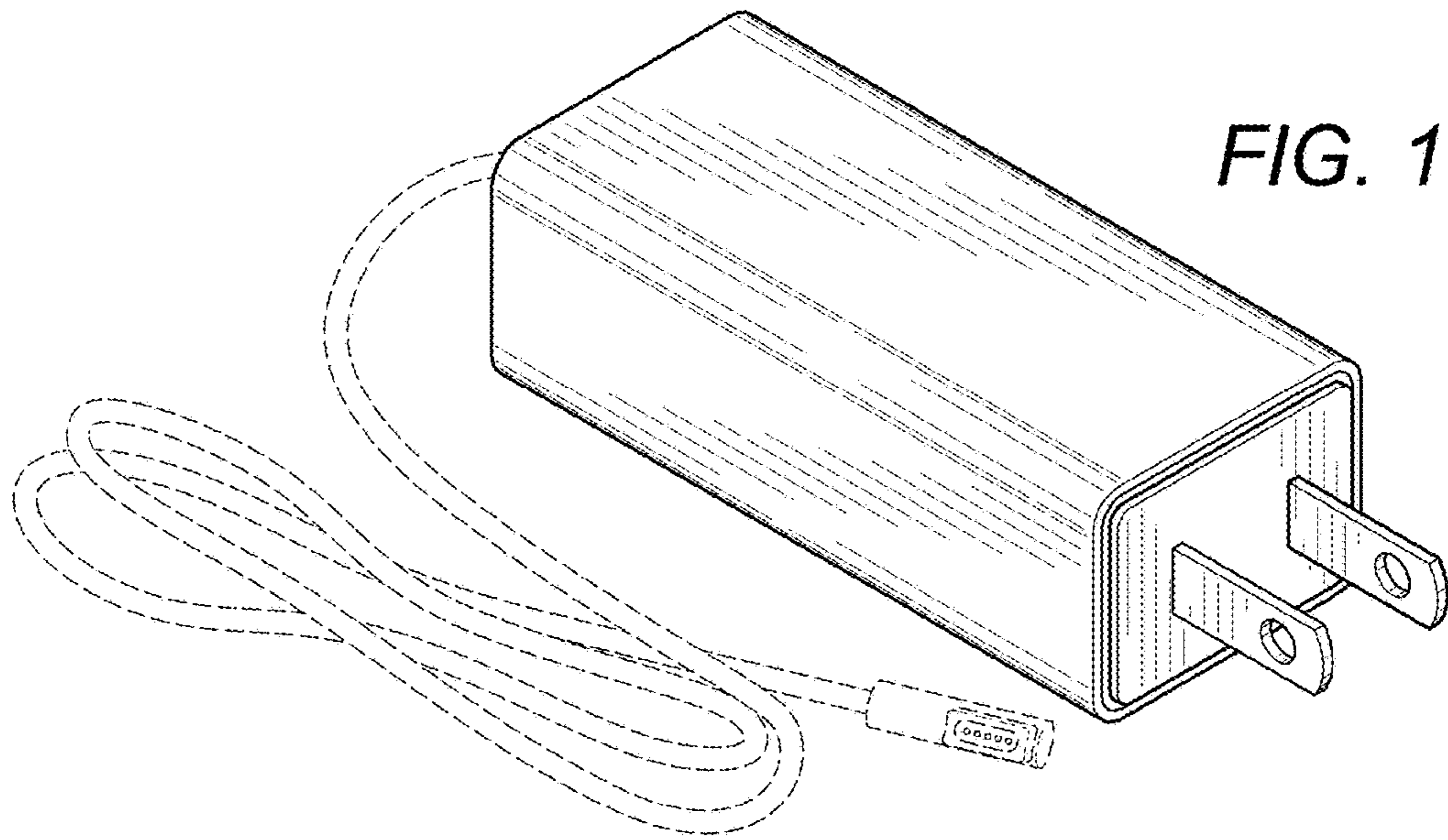


FIG. 1

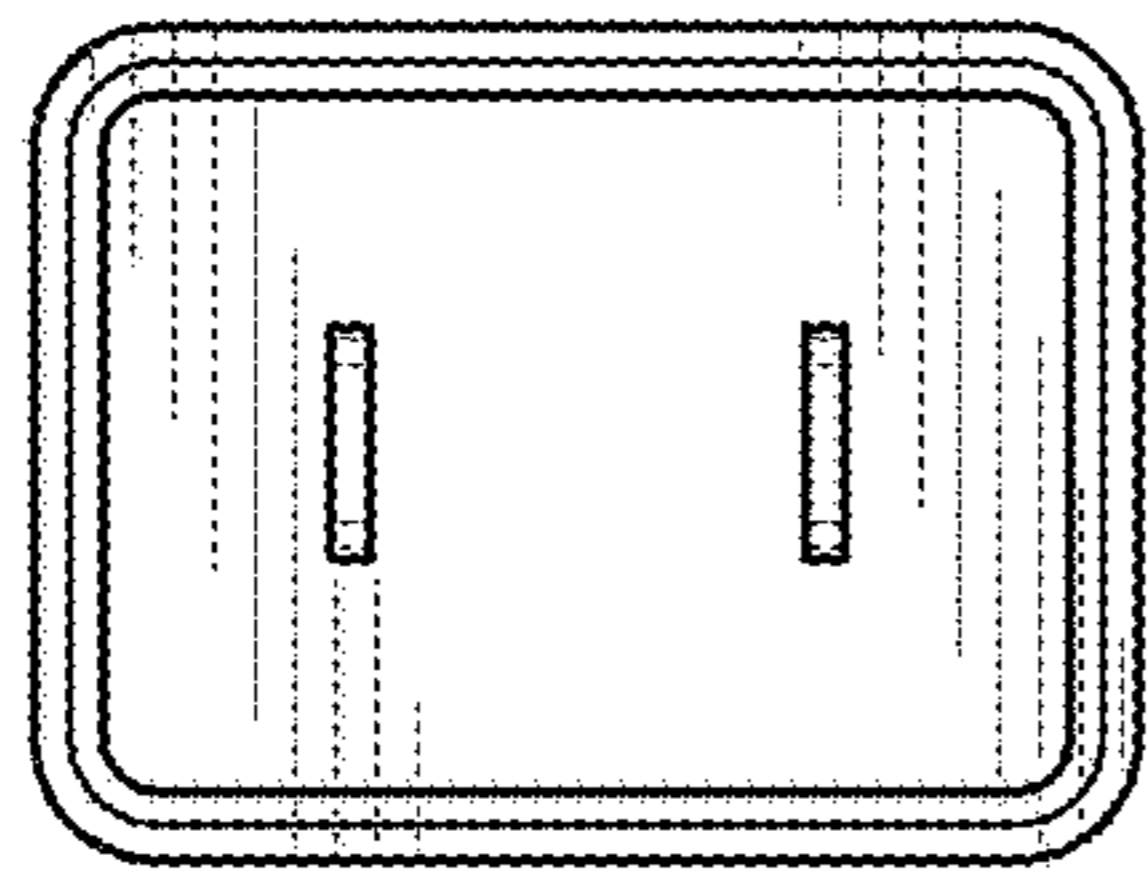


FIG. 2

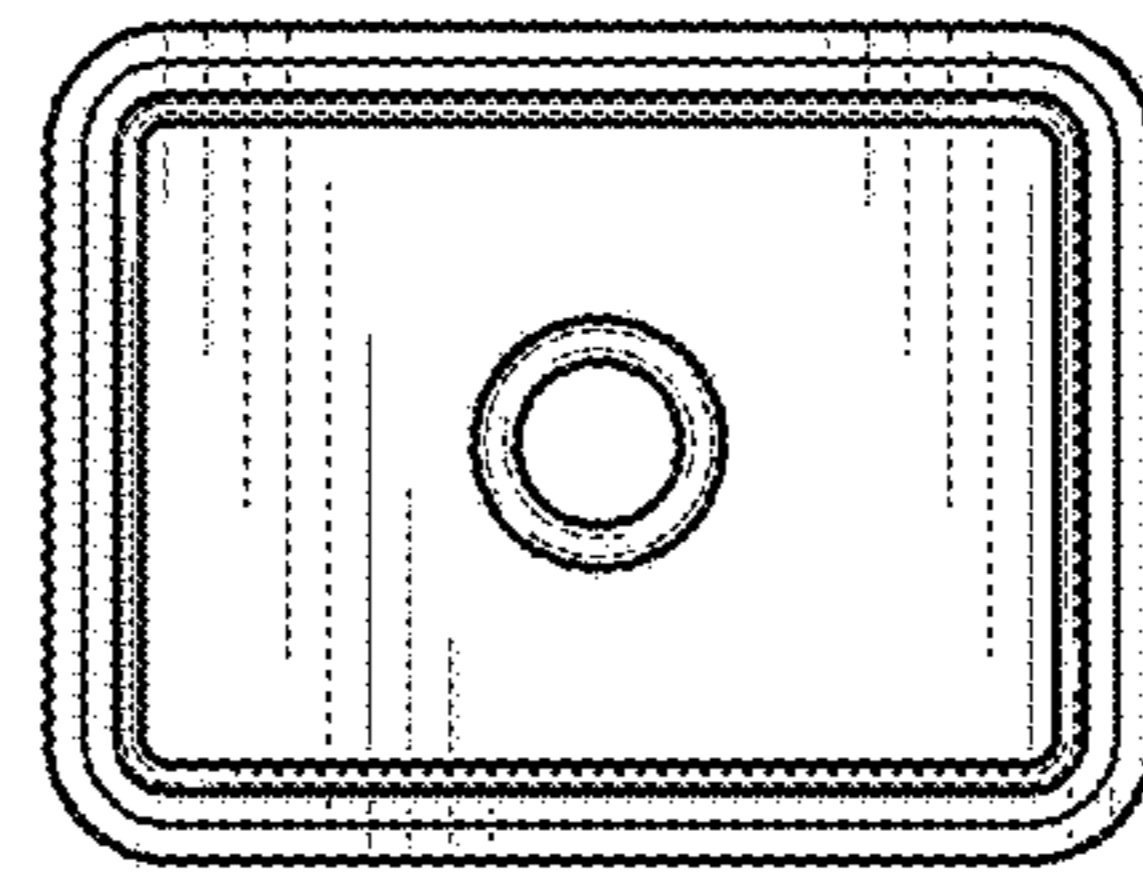


FIG. 3

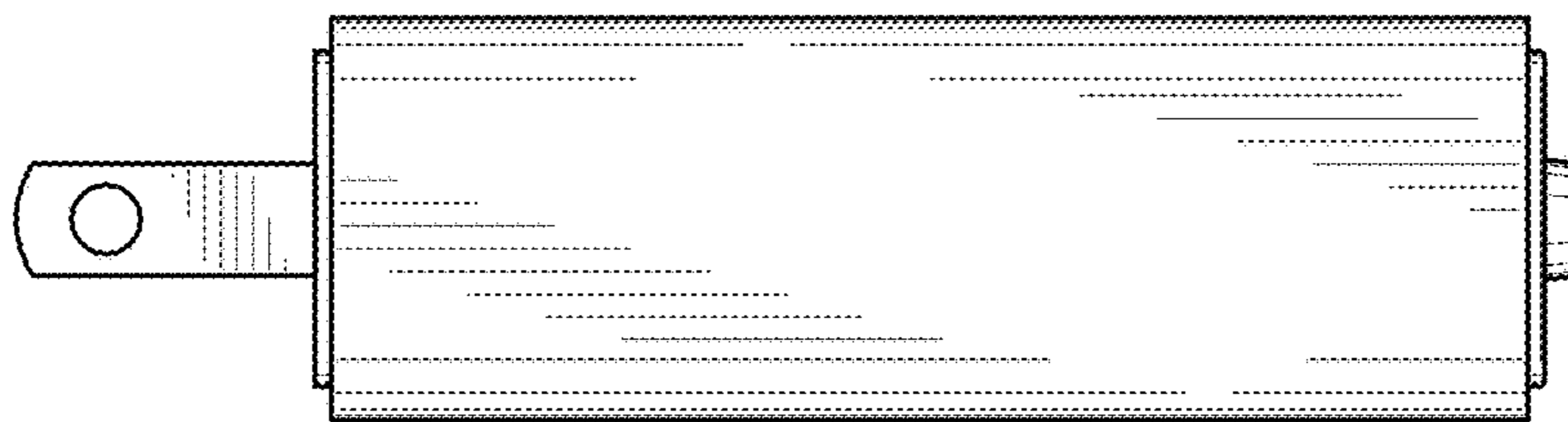


FIG. 4

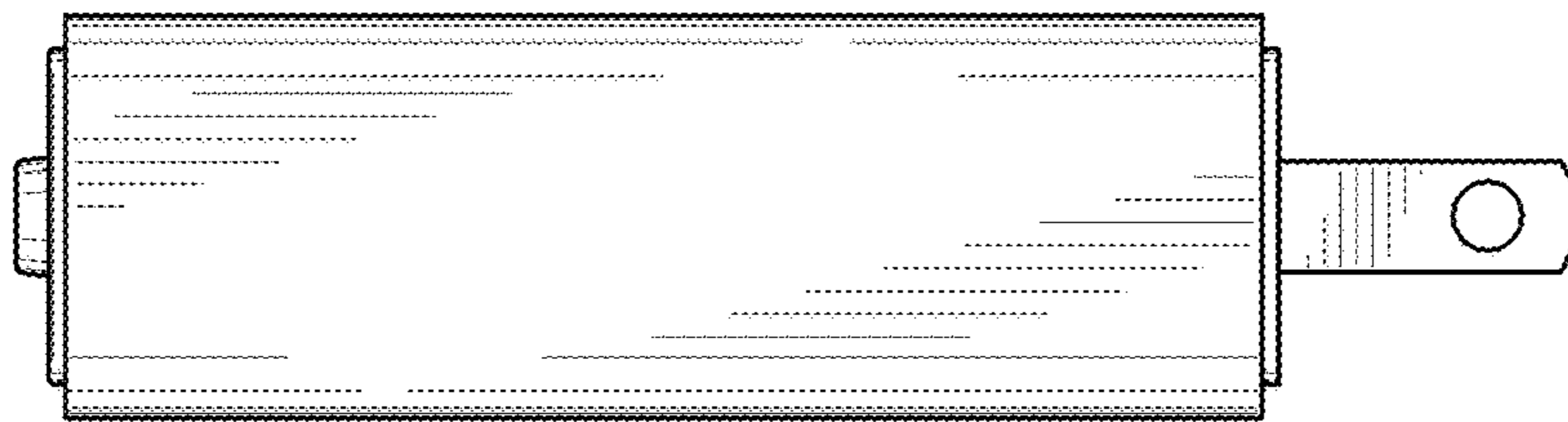


FIG. 5

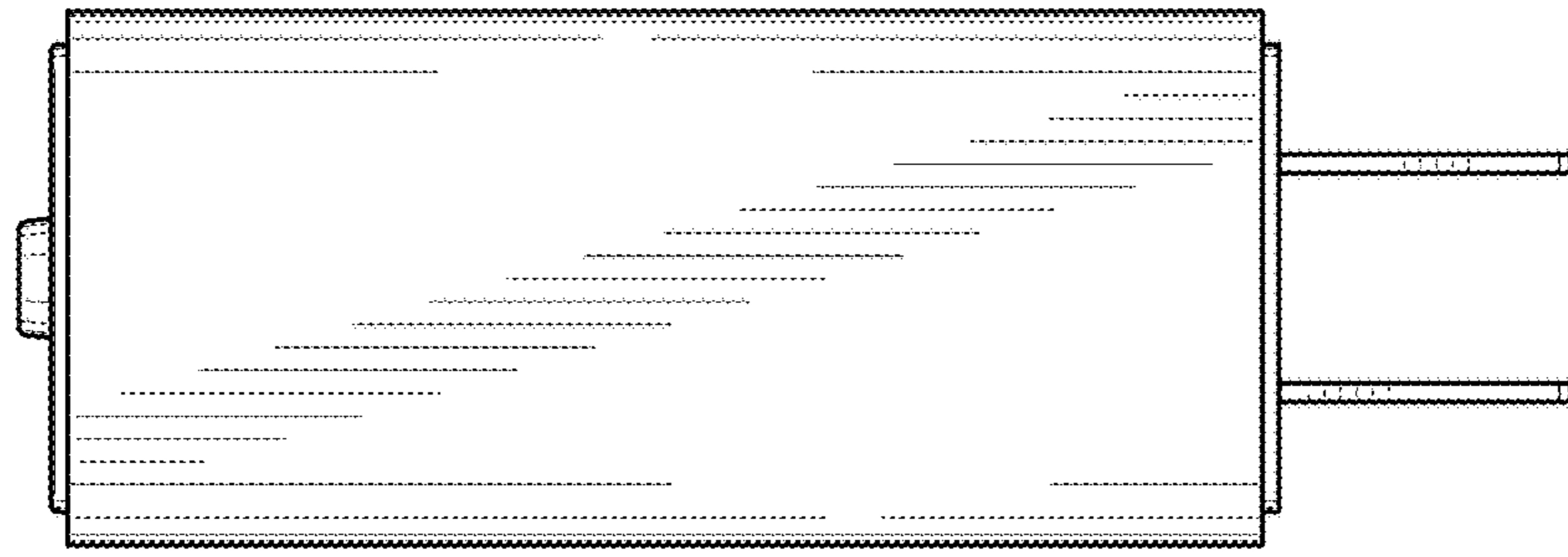


FIG. 6

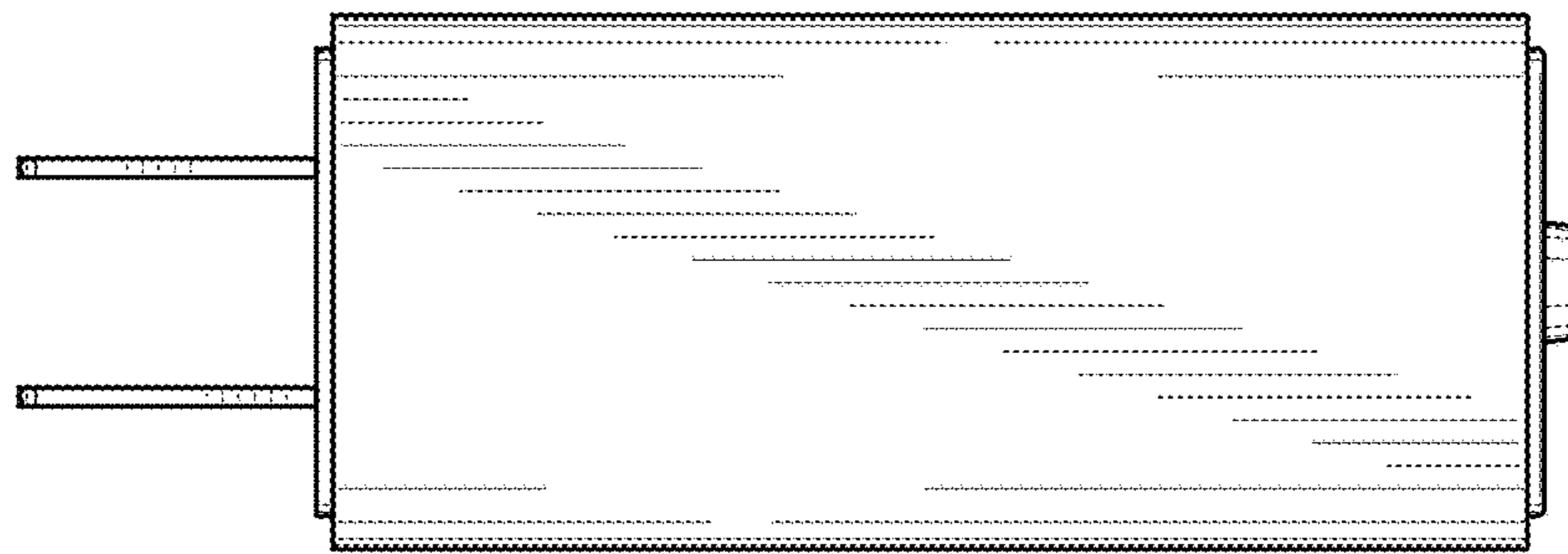


FIG. 7

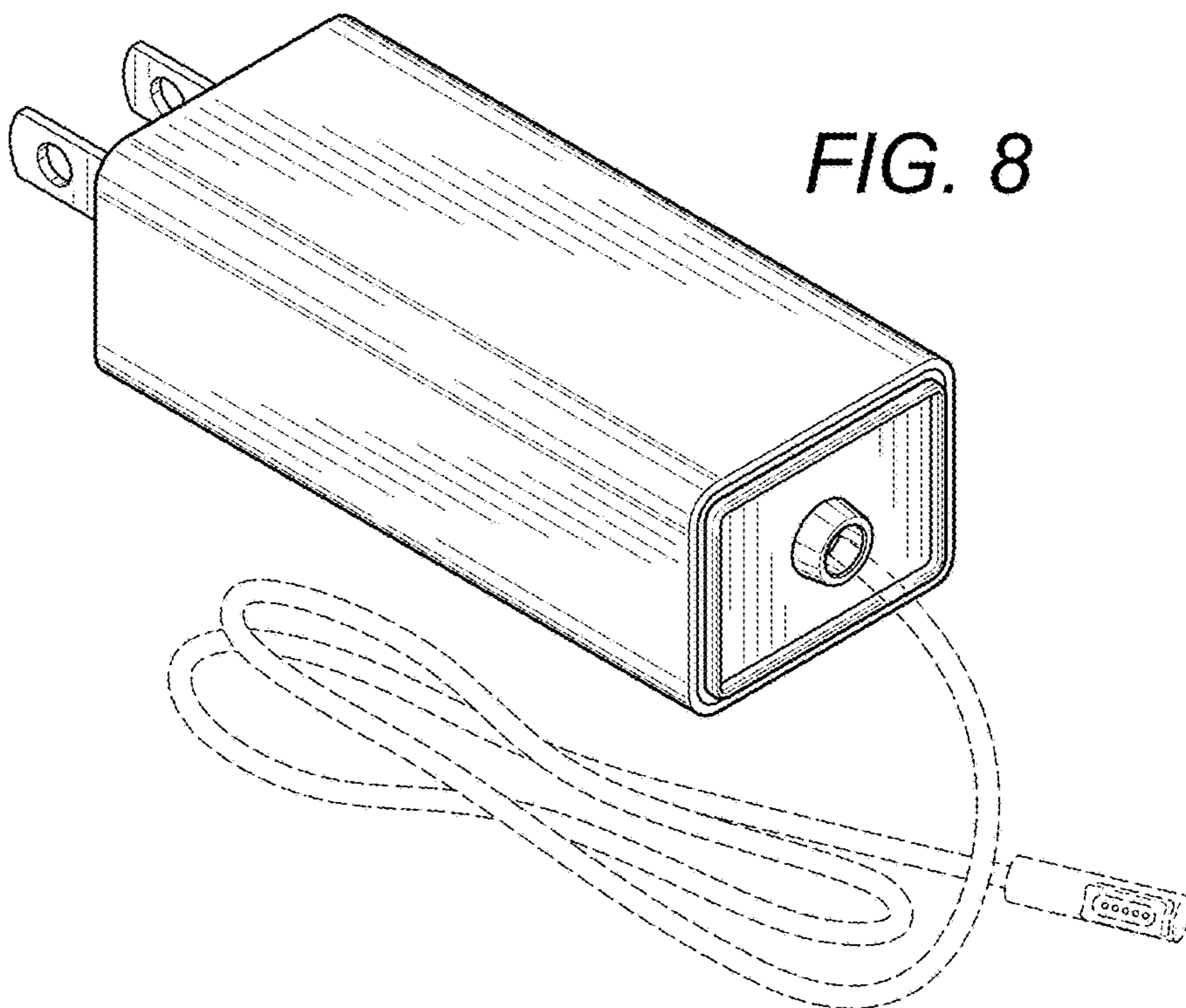


FIG. 8