



US00D790464S

(12) **United States Design Patent**
He et al.

(10) **Patent No.:** **US D790,464 S**

(45) **Date of Patent:** **** Jun. 27, 2017**

(54) **WALL CHARGER**

(71) Applicant: **HongKong Thousandshores Limited,**
Mongkok (HK)

(72) Inventors: **Ding He,** Shenzhen (CN); **Zhi Liu,**
Shenzhen (CN)

(73) Assignee: **HONGKONG THOUSANDSHORES**
LIMITED, Mongkok (HK)

(**) Term: **15 Years**

(21) Appl. No.: **29/562,531**

(22) Filed: **Apr. 26, 2016**

(51) **LOC (10) Cl.** **13-02**

(52) **U.S. Cl.**
USPC **D13/110**

(58) **Field of Classification Search**
USPC D13/107, 108, 110, 123, 133, 137.1,
D13/138.1, 199; 174/53, 54, 59, 61, 150;
307/150, 151; 320/111, 114; 363/132,
363/140, 142, 143, 146; 439/105, 131,
439/166, 171-173, 218, 518, 692, 956
CPC H01R 13/44
See application file for complete search history.

(56) **References Cited**

U.S. PATENT DOCUMENTS

D642,524 S * 8/2011 Fitch D13/110
D653,615 S * 2/2012 Au D13/108
D702,631 S * 4/2014 Esses D13/108

D704,630 S * 5/2014 Liu D13/108
D729,160 S * 5/2015 Levy D13/110
D733,051 S * 6/2015 Wang D13/103
D734,259 S * 7/2015 Ceyress D13/110
2012/0077361 A1* 3/2012 Youssefi-Shams H01R 13/44
439/172

* cited by examiner

Primary Examiner — Daniel Bui

Assistant Examiner — Andrew Kerr

(74) *Attorney, Agent, or Firm* — Lowenstein Sandler LLP

(57) **CLAIM**

The ornamental design for a wall charger, as shown and described.

DESCRIPTION

FIG. 1 is a perspective view of a wall charger showing our new design.

FIG. 2 is a second perspective view thereof.

FIG. 3 is a bottom view thereof.

FIG. 4 is a top view thereof.

FIG. 5 is a right side view thereof.

FIG. 6 is a left side view thereof.

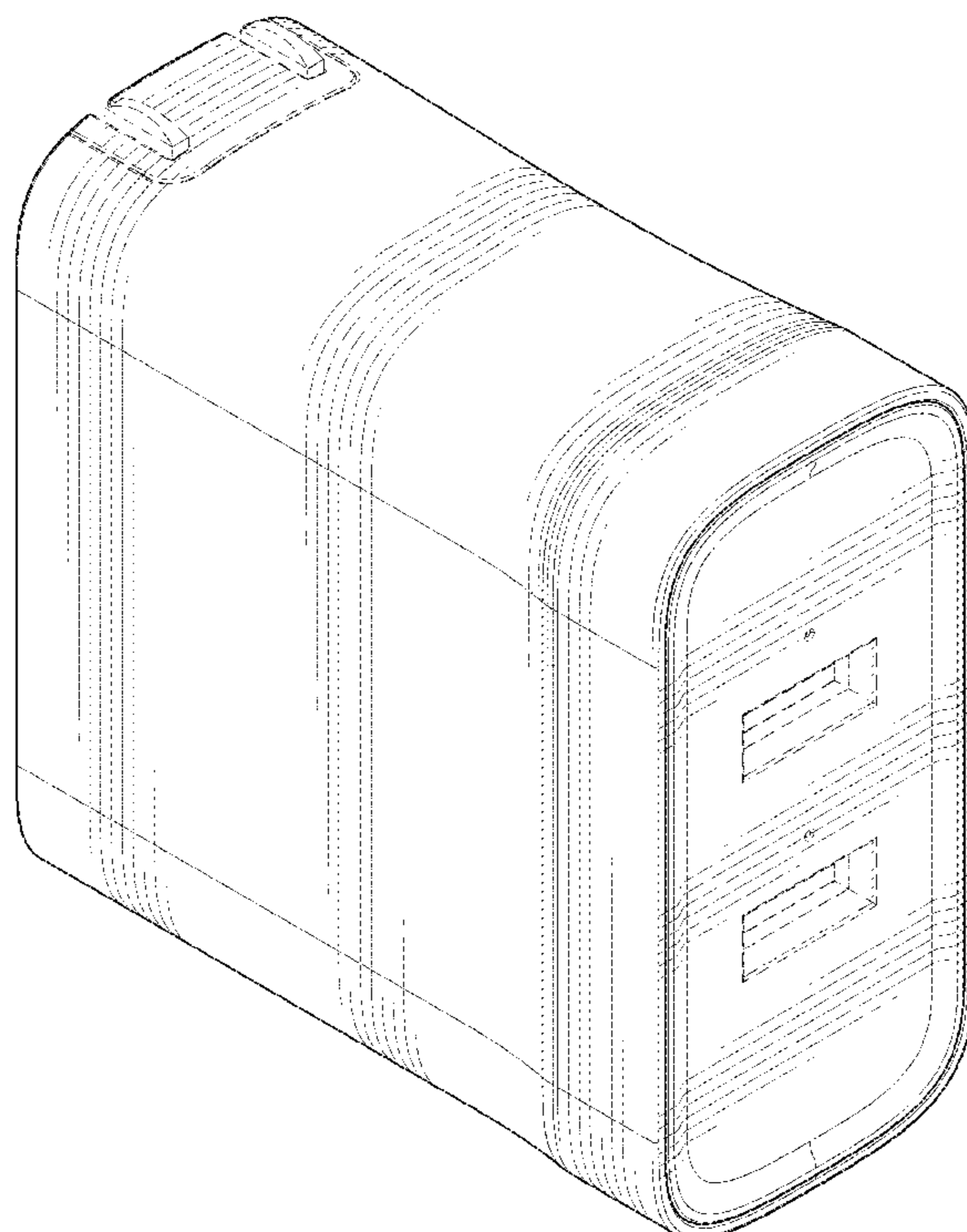
FIG. 7 is a front view thereof.

FIG. 8 is a rear view thereof; and,

FIG. 9 is a third perspective view thereof, in an alternate condition.

The broken lines in the drawing views represent unclaimed portions of a wall charger, which are included for the purpose of illustrating unclaimed environment only, and forms no part of the claimed design.

1 Claim, 9 Drawing Sheets



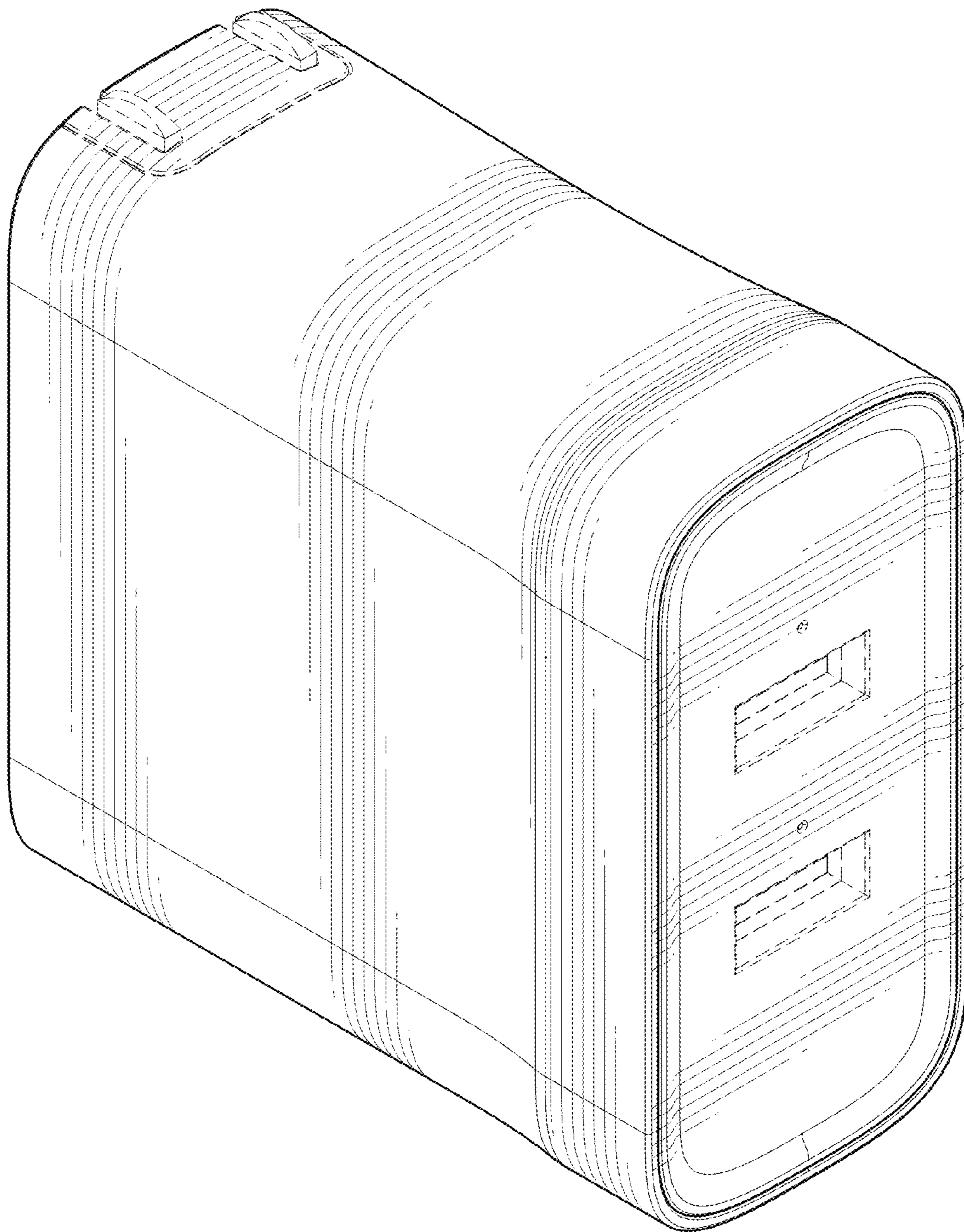


FIG. 1

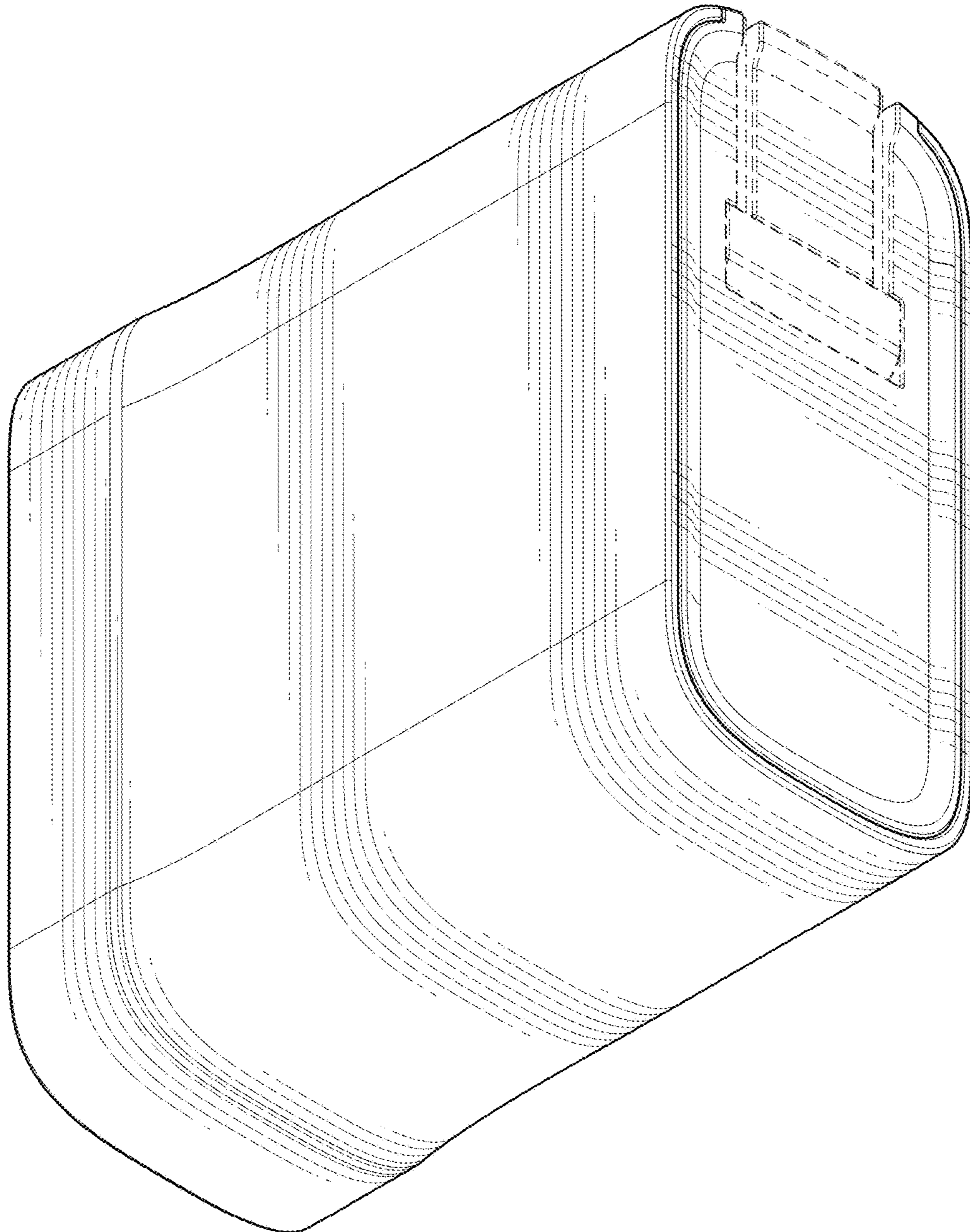


FIG. 2

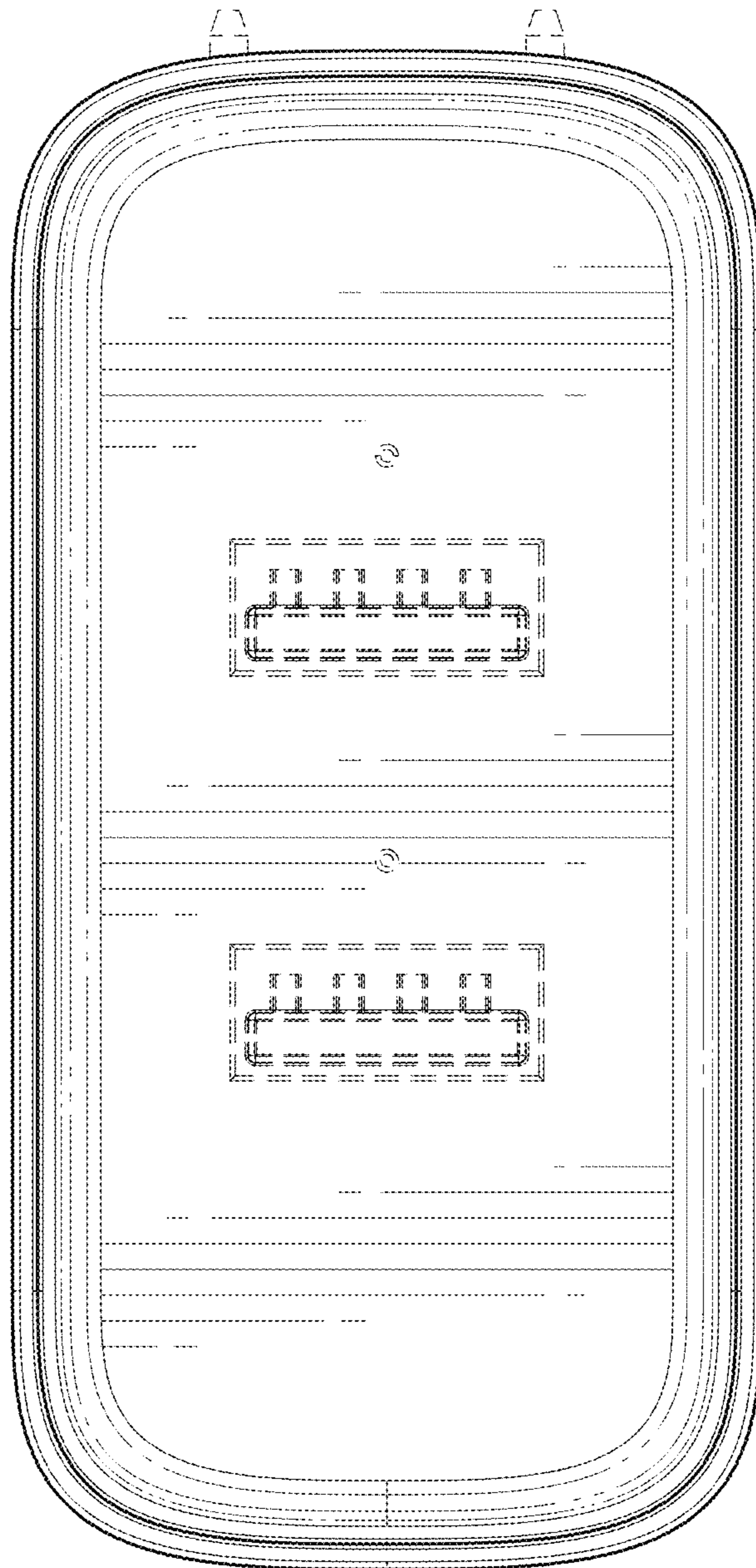


FIG. 3

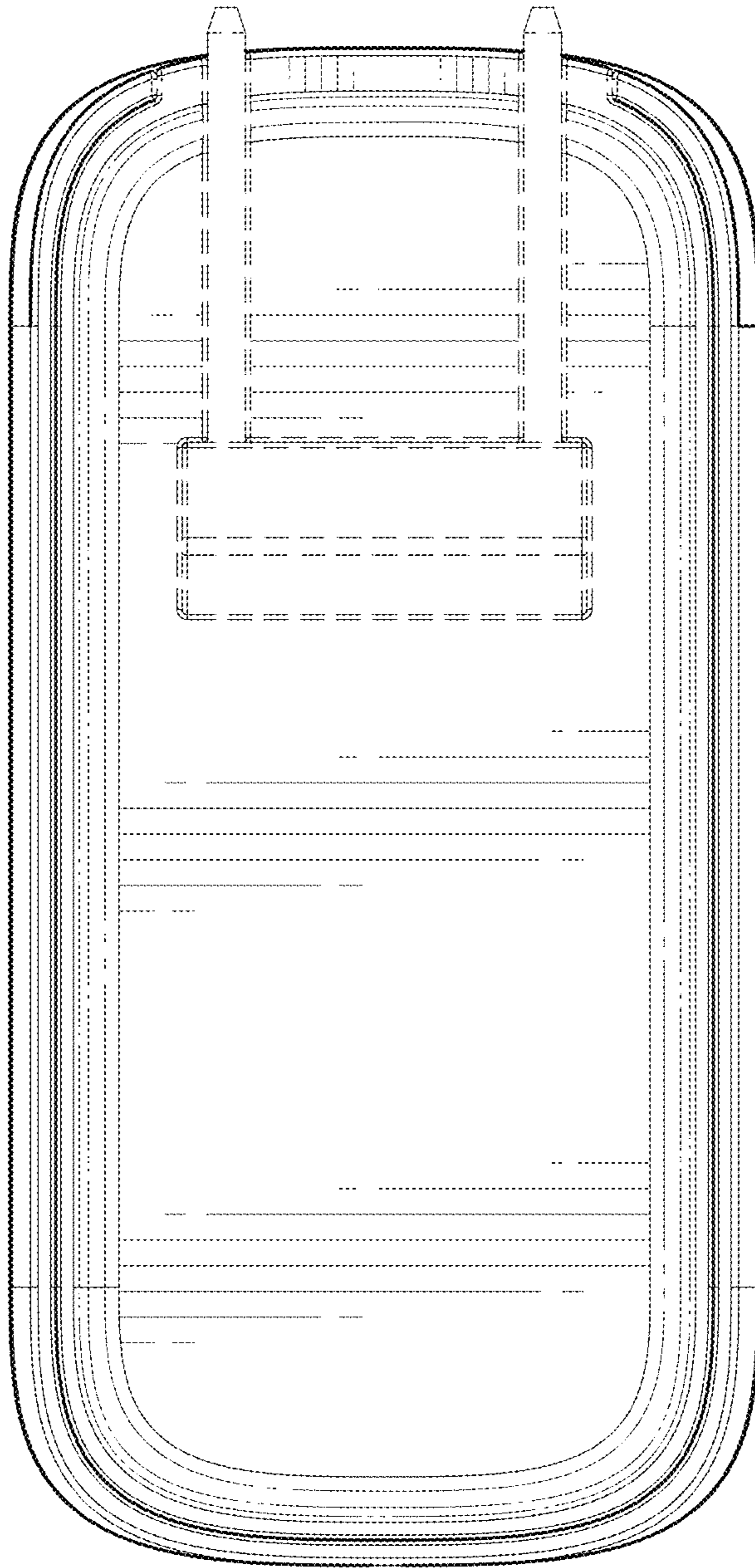


FIG. 4

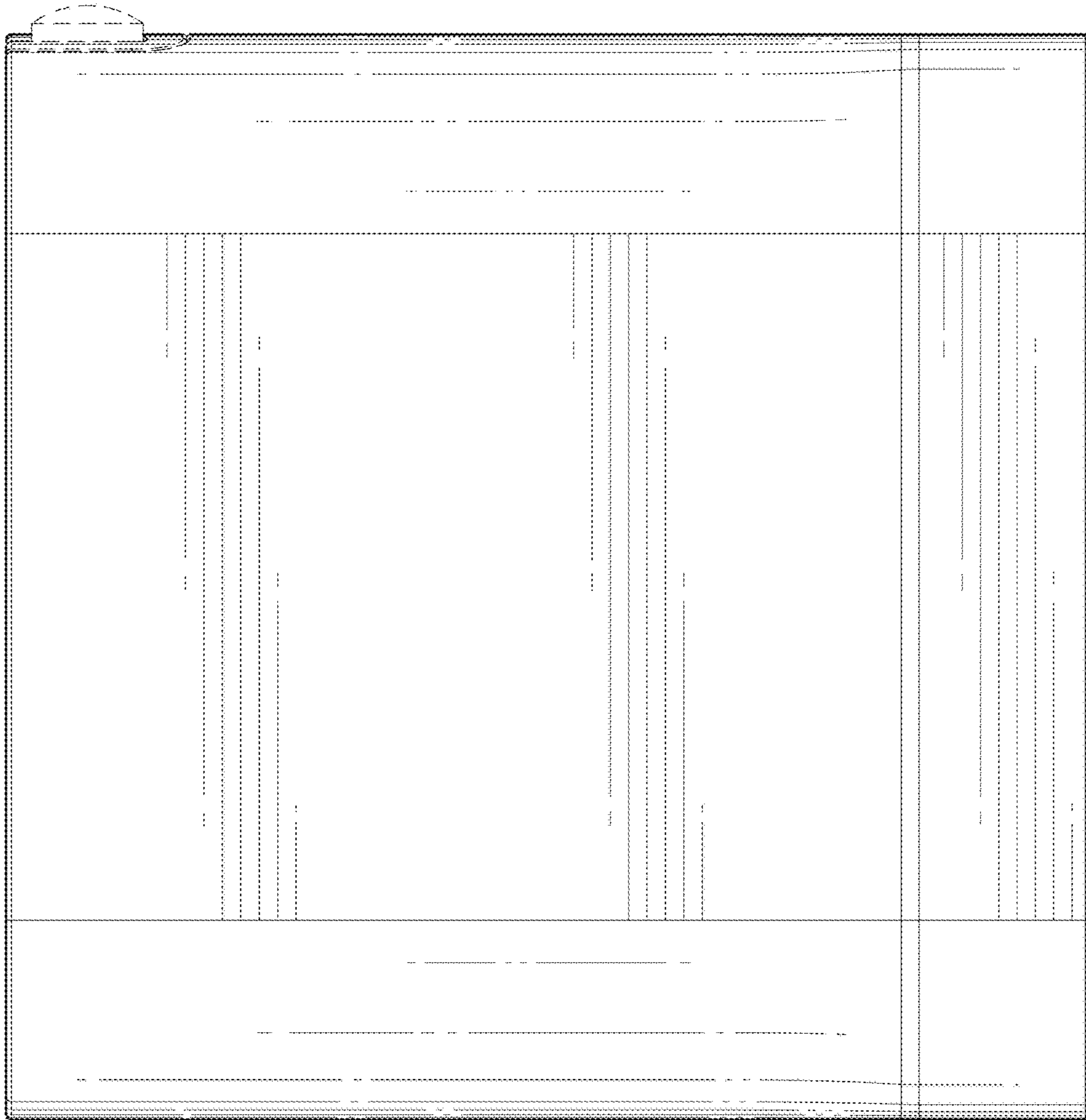


FIG. 5

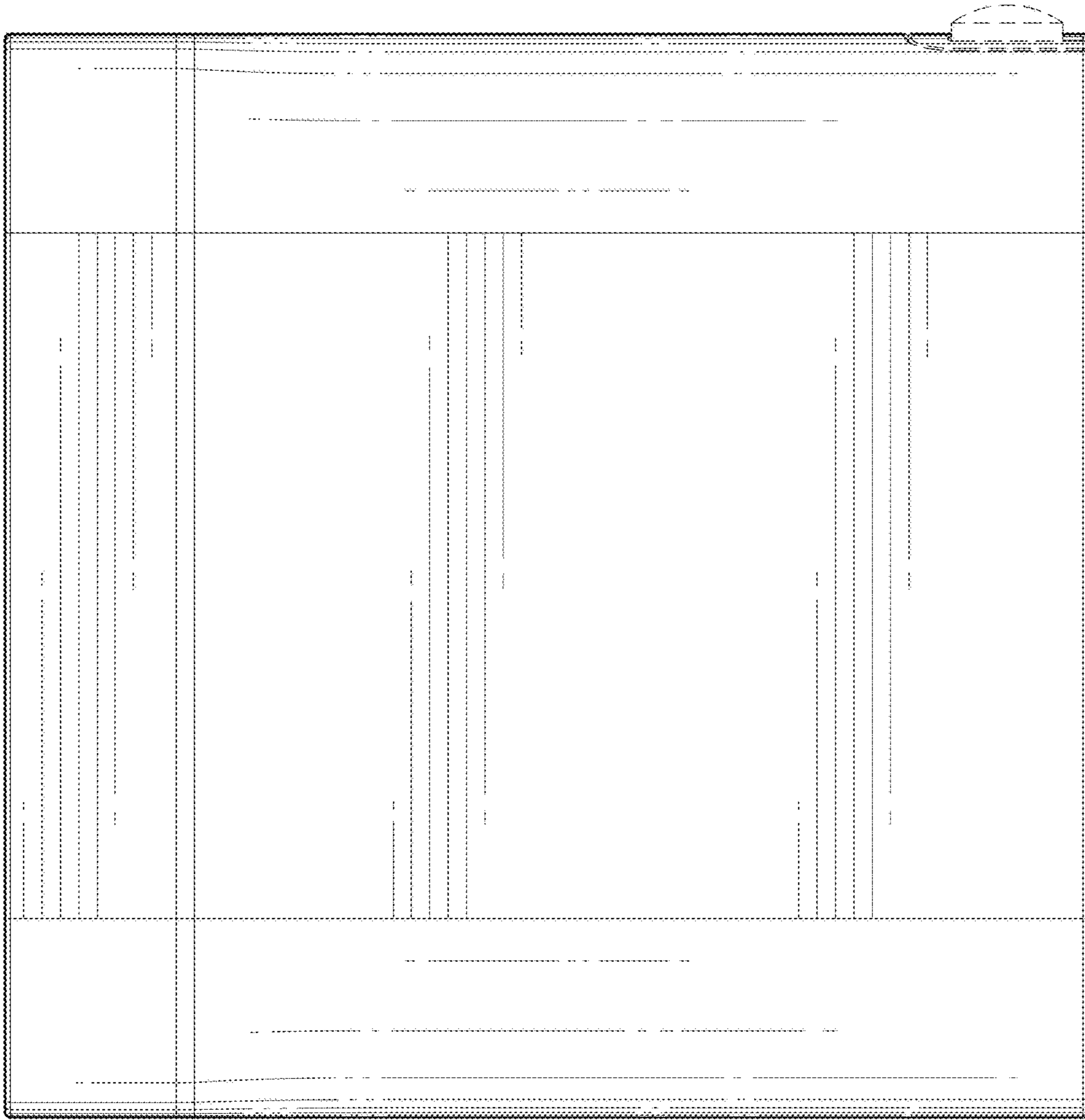


FIG. 6

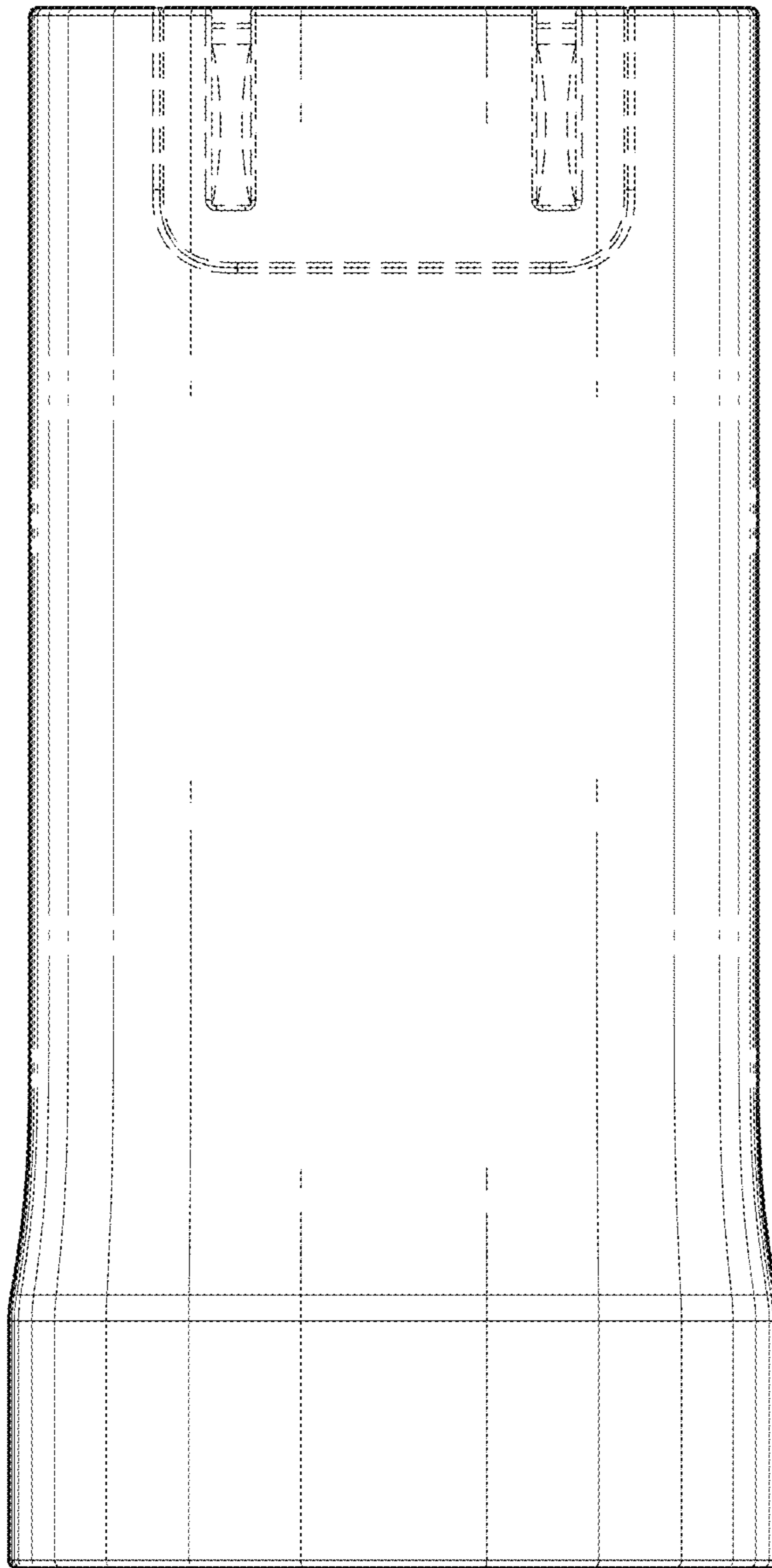


FIG. 7

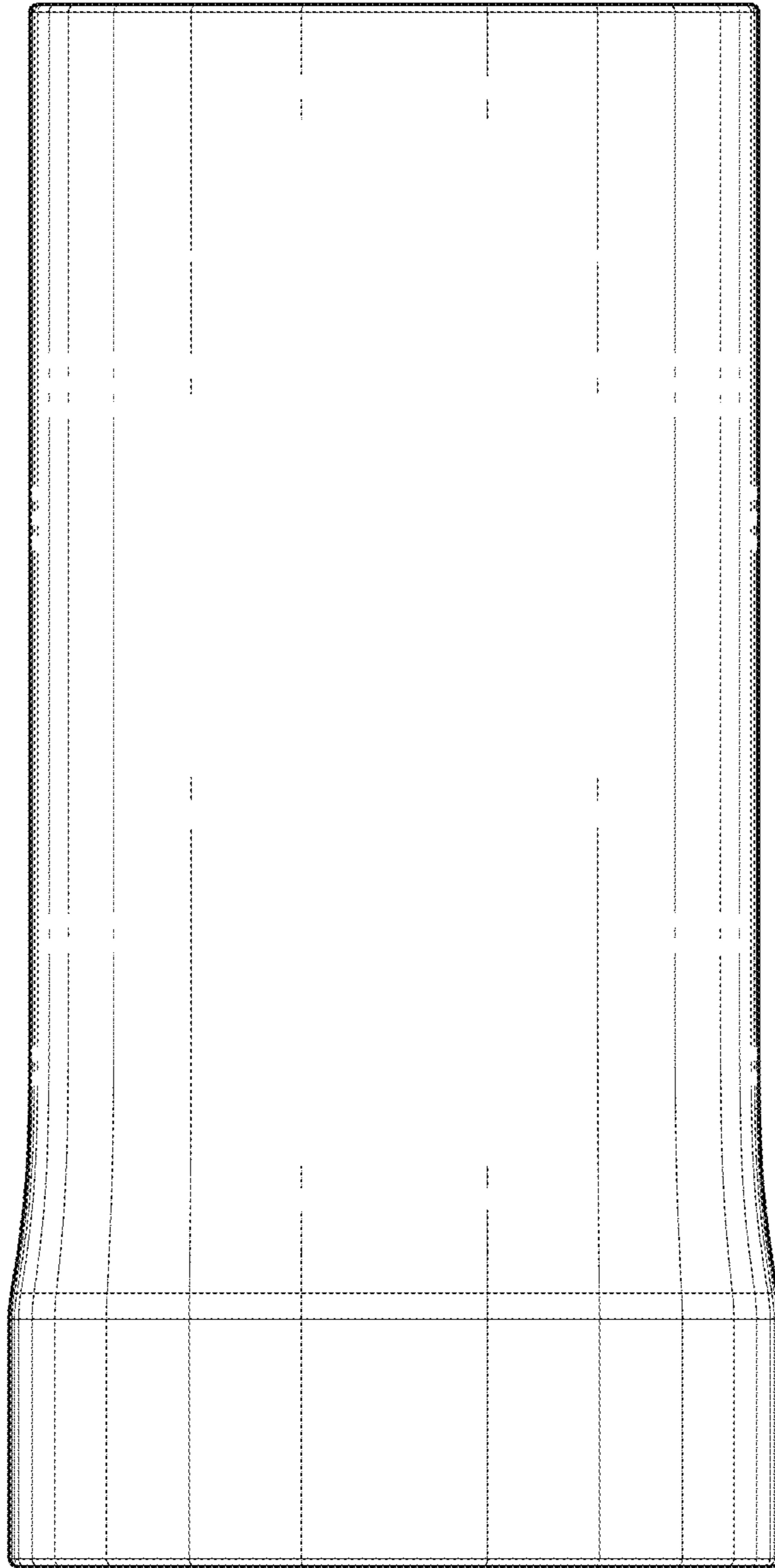


FIG. 8

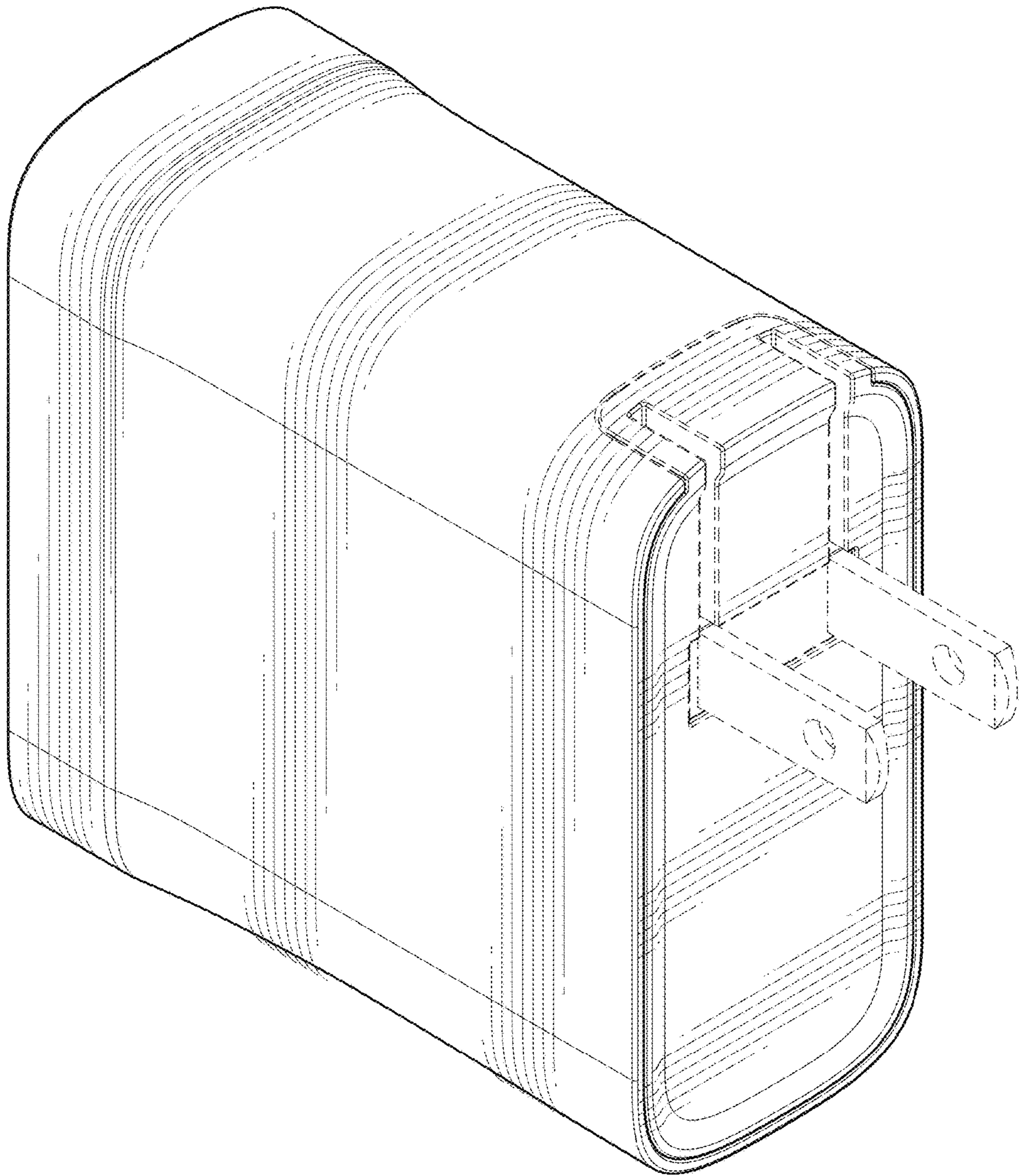


FIG. 9