

US00D790462S

(12) **United States Design Patent**
Yanagimoto et al.

(10) **Patent No.:** **US D790,462 S**

(45) **Date of Patent:** **** Jun. 27, 2017**

(54) **POWER CONVERTER**

(71) Applicant: **KABUSHIKI KAISHA YASKAWA DENKI**, Kitakyushu-shi (JP)

(72) Inventors: **Tetsuo Yanagimoto**, Fukuoka (JP);
Makoto Nakaya, Fukuoka (JP);
Fumiya Ono, Fukuoka (JP); **Ryosuke Tsumagari**, Fukuoka (JP); **Kengo Nagamitsu**, Fukuoka (JP)

(73) Assignee: **KABUSHIKI KAISHA YASKAWA DENKI**, Kitakyushu-shi (JP)

(**) Term: **15 Years**

(21) Appl. No.: **29/557,212**

(22) Filed: **Mar. 7, 2016**

(30) **Foreign Application Priority Data**

Sep. 8, 2015 (JP) 2015-019931

(51) **LOC (10) Cl.** **13-02**

(52) **U.S. Cl.**
USPC **D13/110**

(58) **Field of Classification Search**

USPC D13/103, 107, 110, 112, 114, 118, 119,
D13/162, 184; 361/601, 728
CPC . H01L 2224/48091; H01L 2924/19041; H01L
2924/01079; H01R 13/70; H02B 1/50;
G05B 19/042

See application file for complete search history.

(56) **References Cited**

U.S. PATENT DOCUMENTS

D675,565 S * 2/2013 Choi D13/110
D682,207 S * 5/2013 Nakahira D13/110
D684,533 S * 6/2013 Nakahira D13/110
D684,534 S * 6/2013 Nakahira D13/110
D685,733 S * 7/2013 Savolainen D13/110

D703,136 S * 4/2014 Choi D13/110
D705,728 S * 5/2014 Choi D13/110
D753,058 S * 4/2016 Reiner D13/110
D753,588 S * 4/2016 Reiner D13/110
D773,993 S * 12/2016 Hoffman D13/110
D775,072 S * 12/2016 Reiner D13/110
2013/0198442 A1 * 8/2013 Braun G05B 19/042
711/103

* cited by examiner

Primary Examiner — Daniel Bui

Assistant Examiner — Andrew Kerr

(74) *Attorney, Agent, or Firm* — Oblon, McClelland,
Maier & Neustadt, L.L.P.

(57) **CLAIM**

The ornamental design for a power converter, as shown and described.

DESCRIPTION

FIG. 1 is a front elevation view of a power converter showing our new design;

FIG. 2 is a rear elevation view thereof;

FIG. 3 is a top plan view thereof;

FIG. 4 is a bottom plan view thereof;

FIG. 5 is a right side elevation view thereof;

FIG. 6 is a left side elevation view thereof;

FIG. 7 is a front, bottom and right side perspective view thereof;

FIG. 8 is a front, top and left side perspective view thereof;

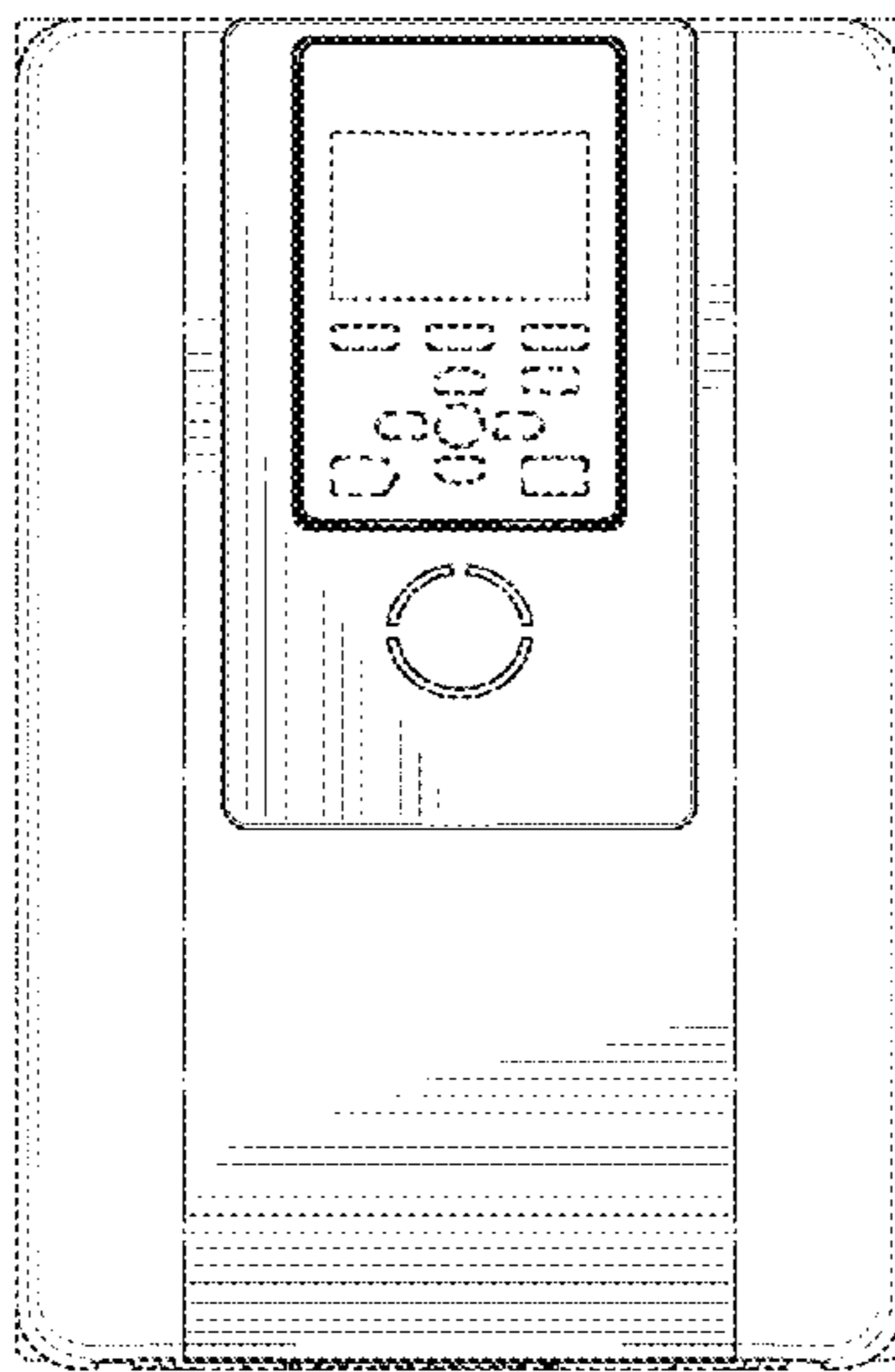
FIG. 9 is an enlarged view showing a portion of FIG. 7 defined by lines 9-9; and,

FIG. 10 is an enlarged view showing a portion of FIG. 8 defined by lines 10-10.

The features shown in broken lines depict environmental subject matter only and form no part of the claimed design.

The broken lines having alternating long and short segments define bounds of the claimed design and form no part thereof.

1 Claim, 10 Drawing Sheets



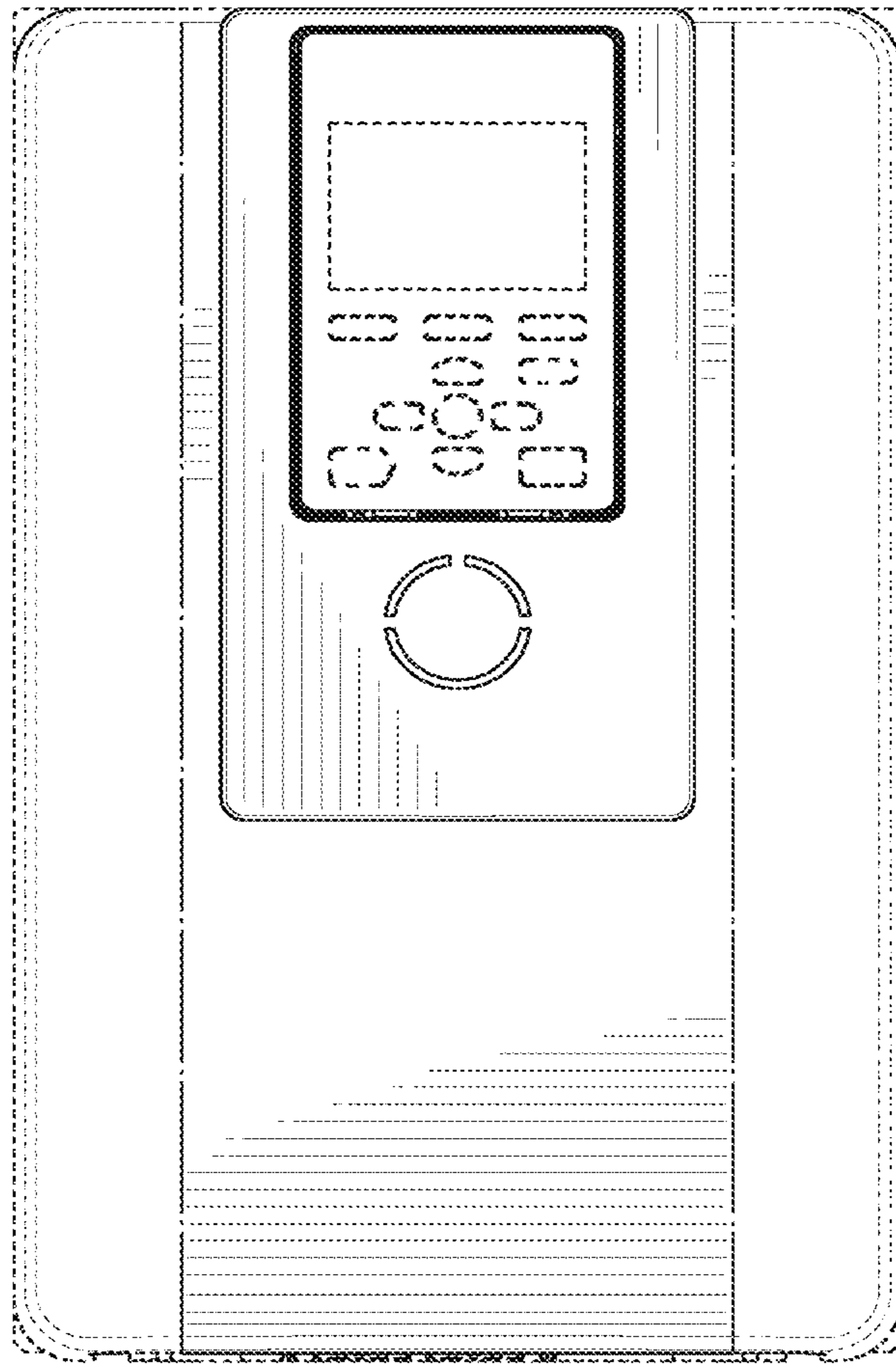


FIG. 1

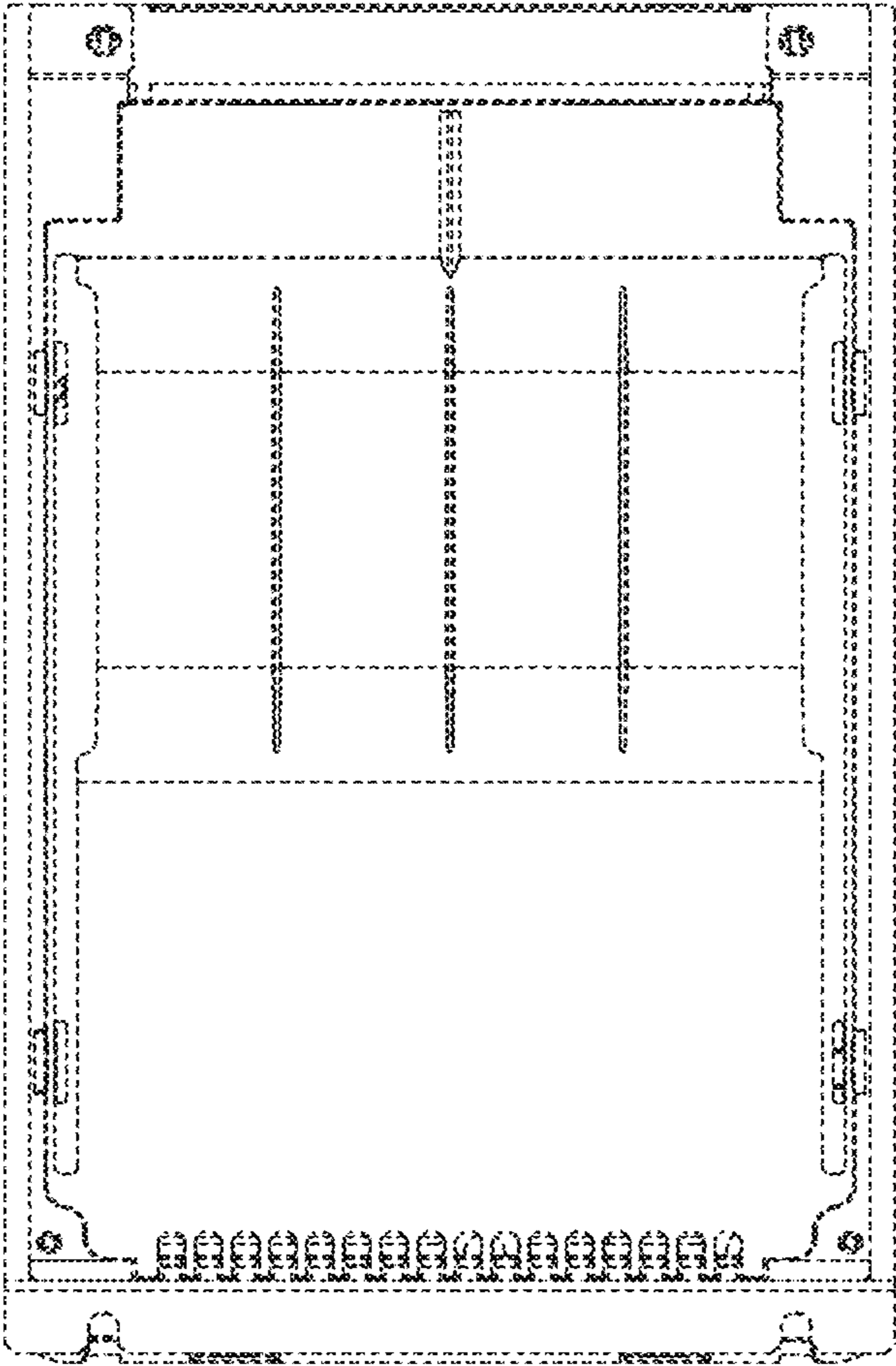


FIG. 2

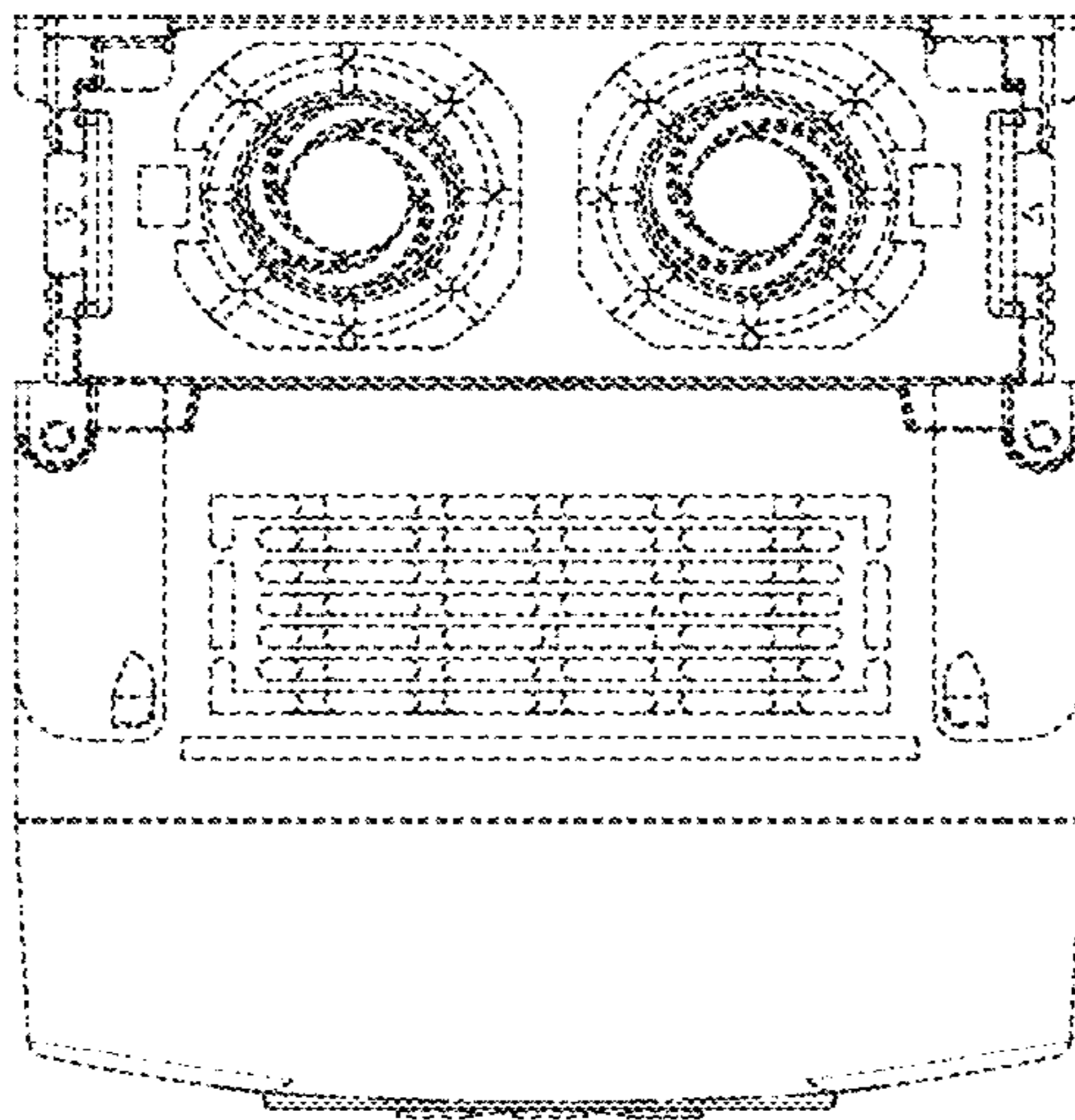


FIG. 3

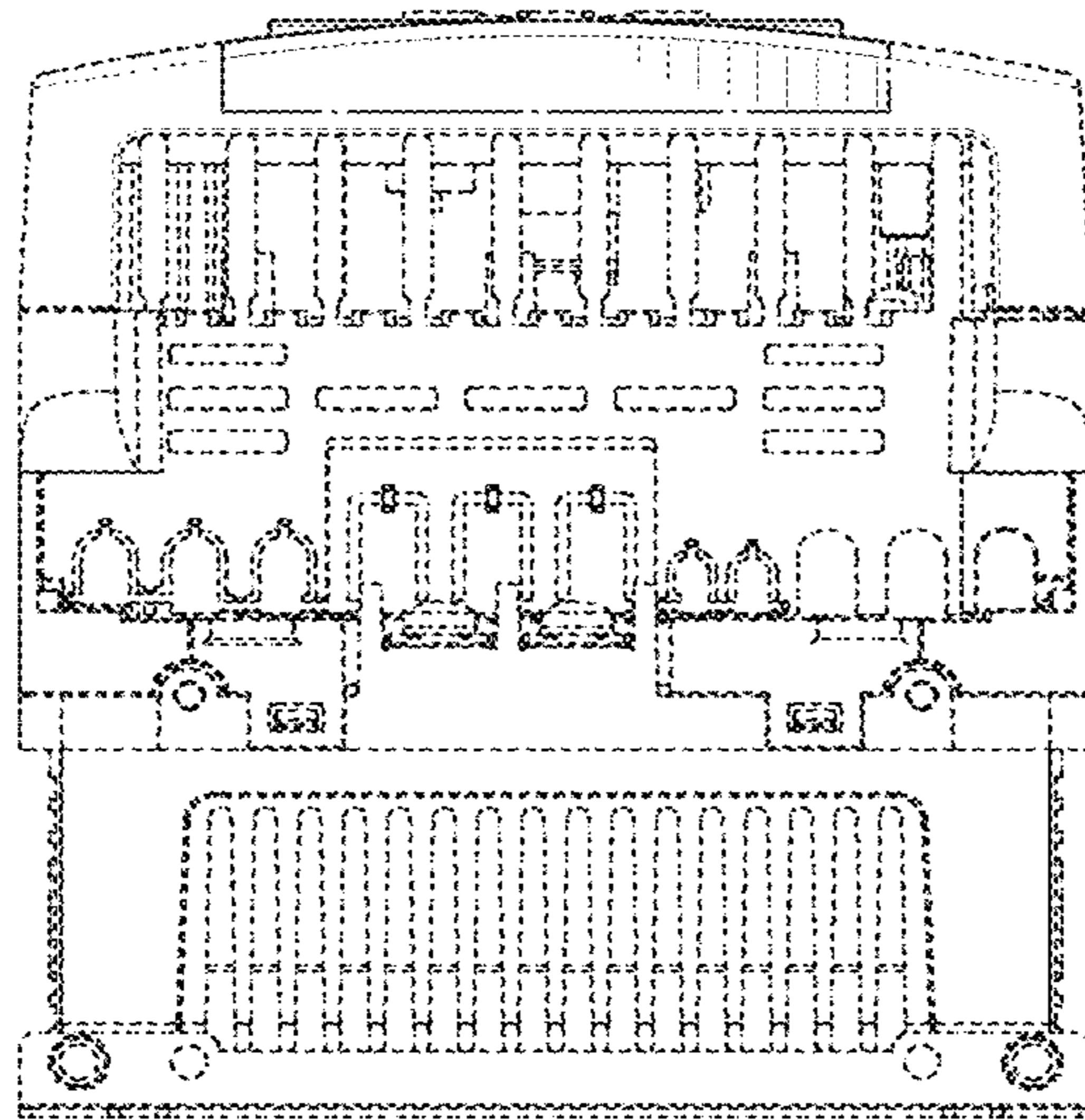


FIG. 4

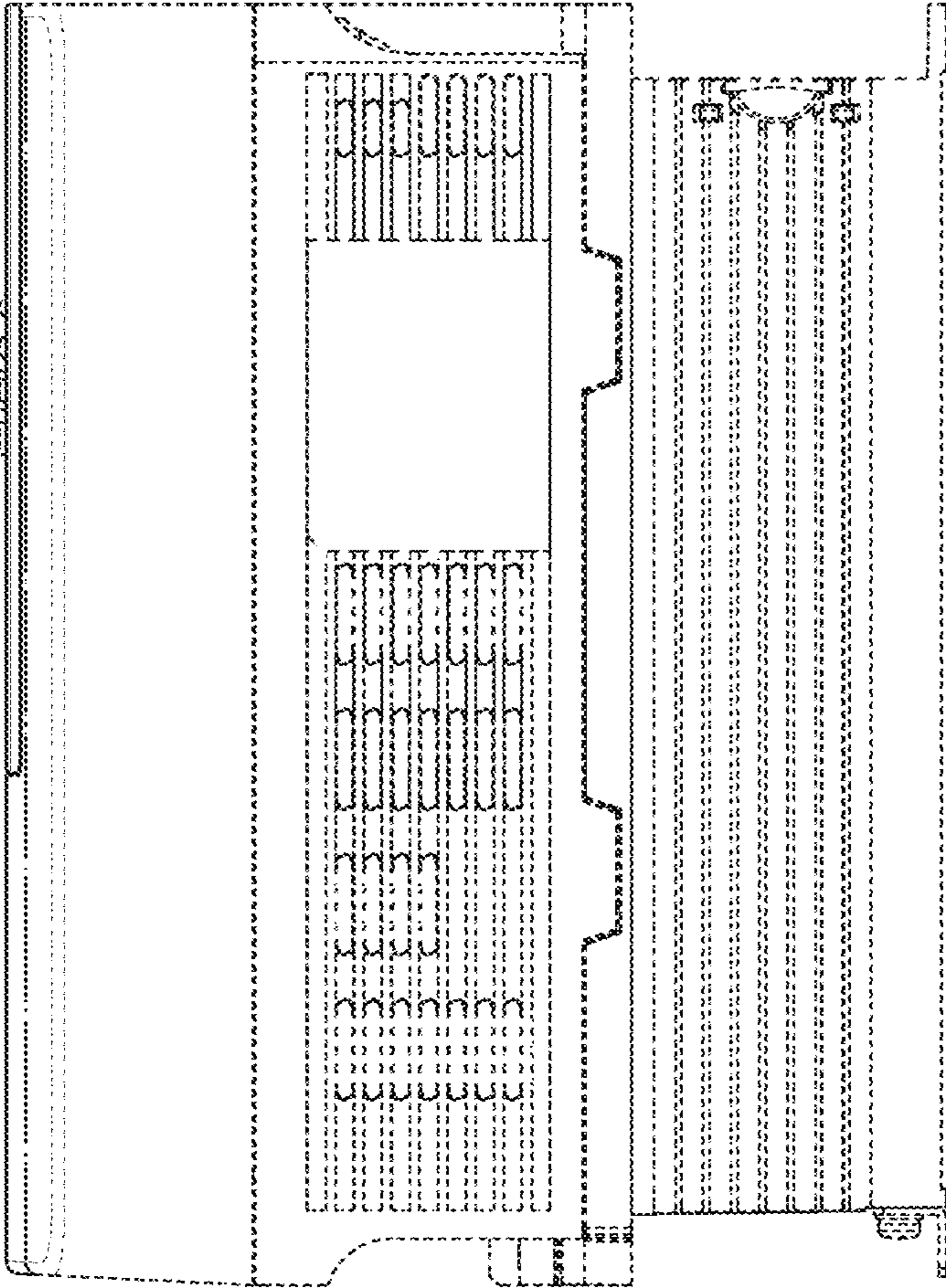


FIG. 5

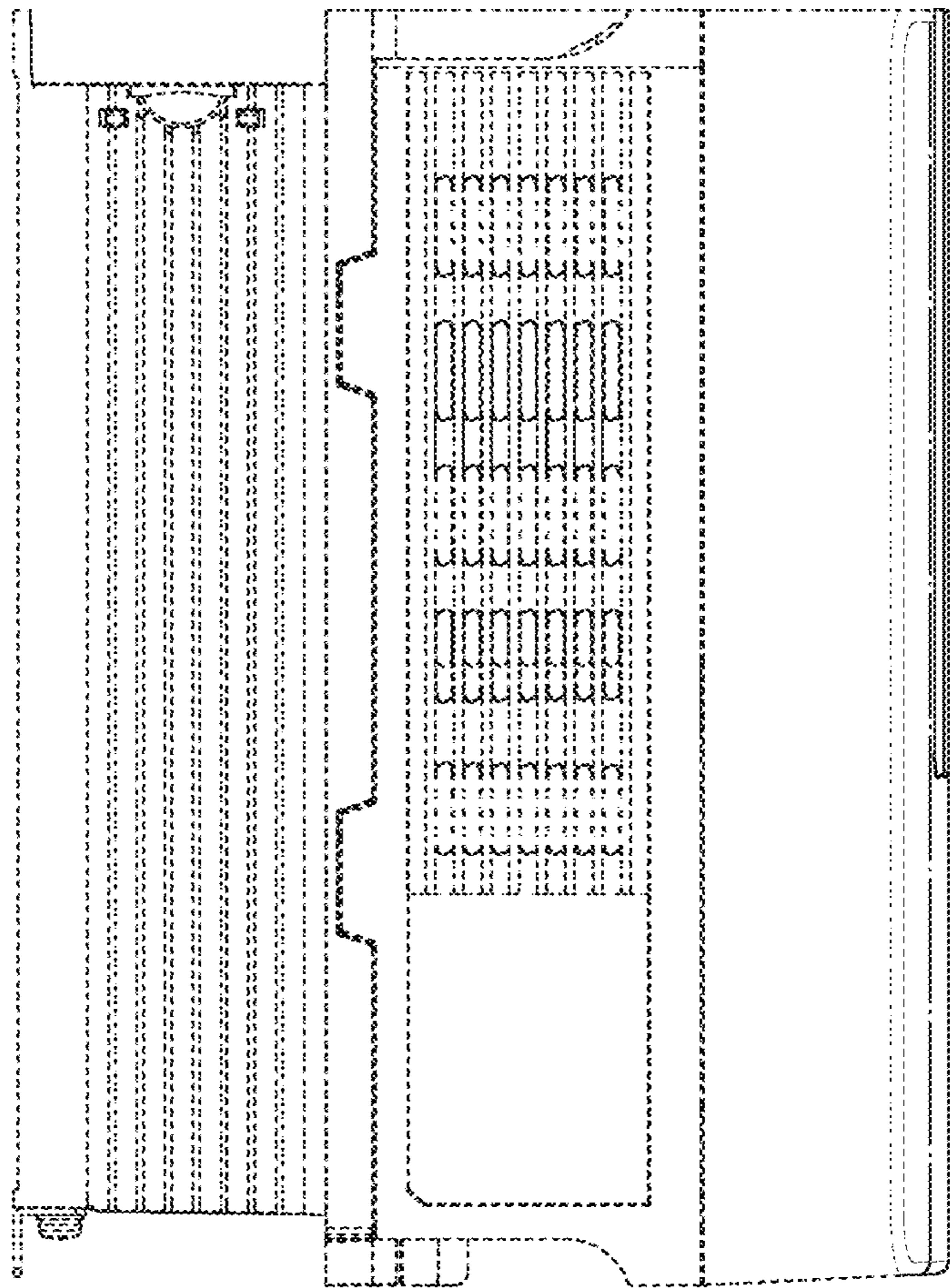


FIG. 6

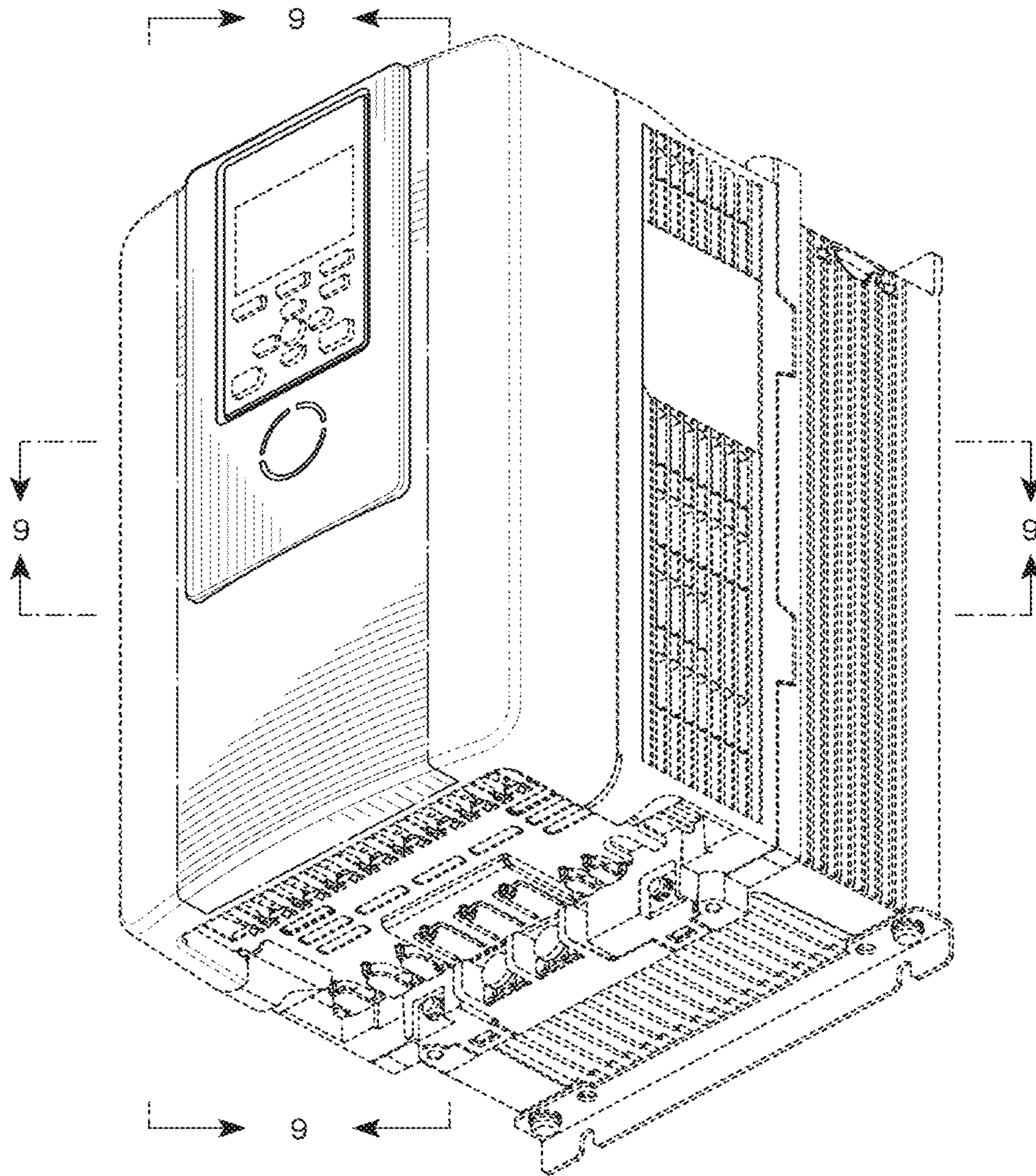


FIG. 7

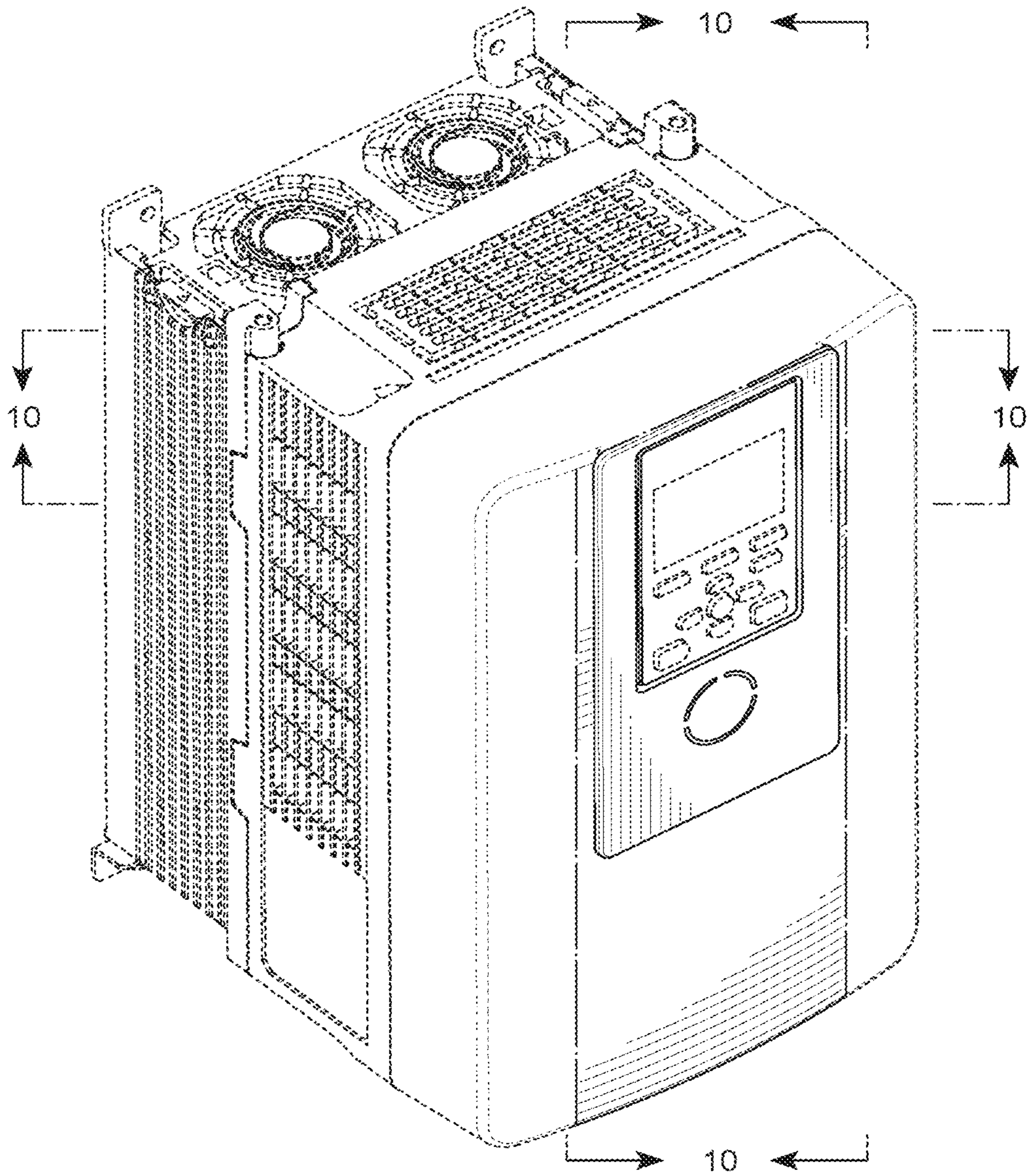


FIG. 8

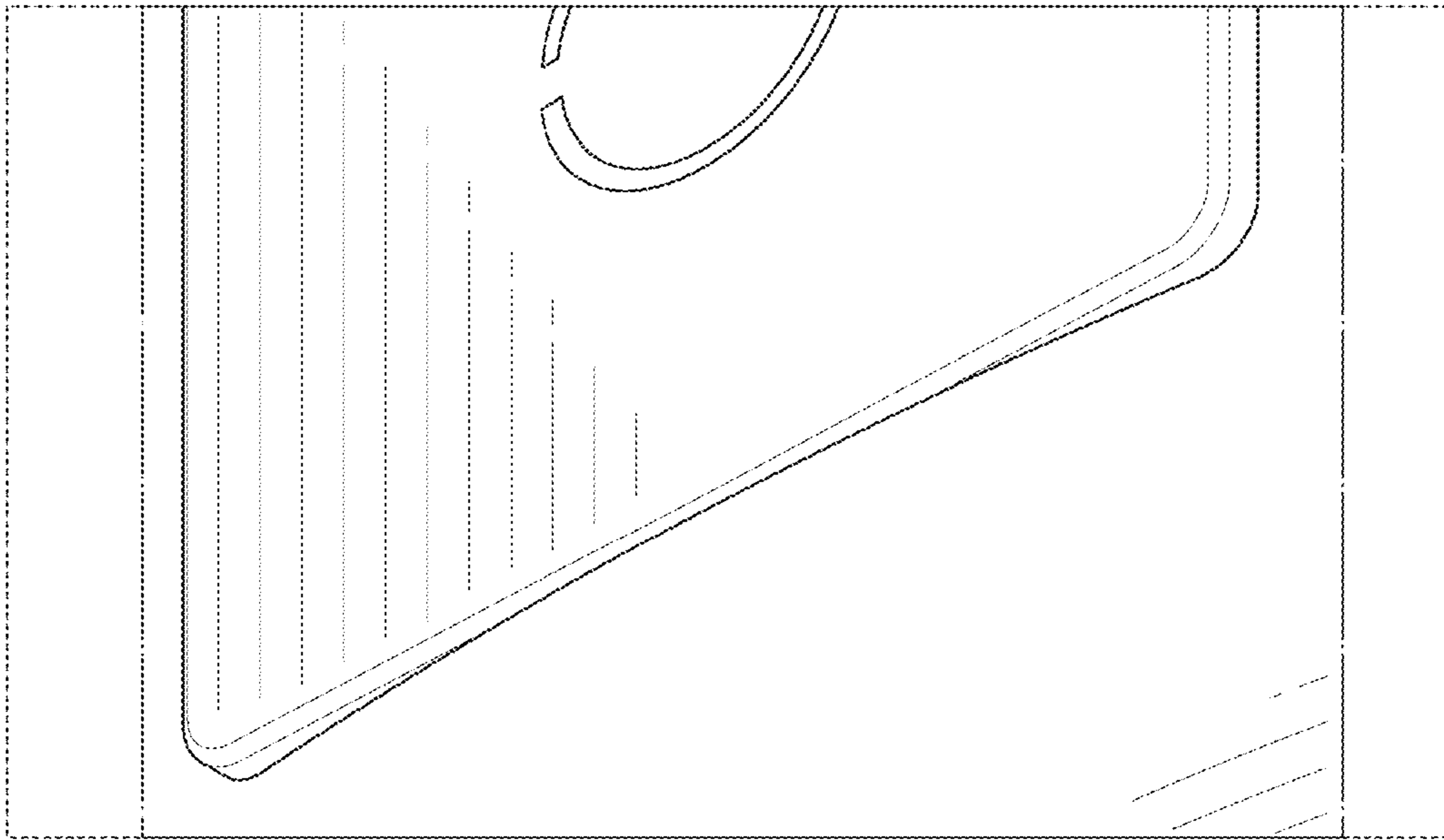


FIG. 9

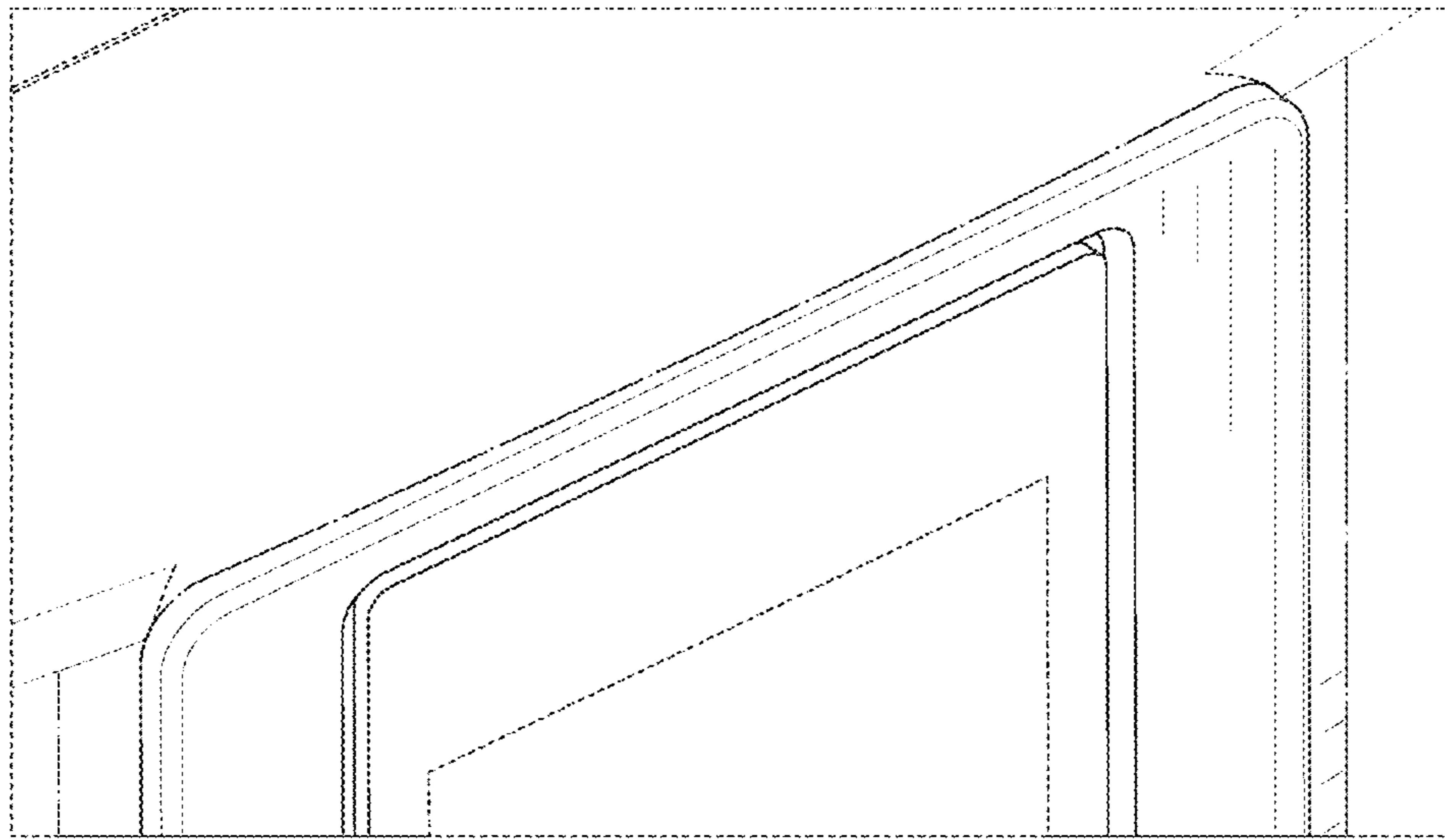


FIG. 10