



US00D790461S

(12) **United States Design Patent**  
**HibmaCronan et al.**

(10) **Patent No.:** **US D790,461 S**  
(45) **Date of Patent:** **\*\* Jun. 27, 2017**

(54) **WI-FI DEVICE**

D665,354 S \* 8/2012 Chen ..... D13/138.1  
D677,223 S 3/2013 Cho  
D683,315 S \* 5/2013 Carlucci ..... D13/146  
(Continued)

(71) Applicant: **Plume Design, Inc.**, Palo Alto, CA  
(US)

(72) Inventors: **Christopher N. HibmaCronan**,  
Oakland, CA (US); **Joshua Morenstein**,  
San Francisco, CA (US); **Willy**  
**Carteau**, Oakland, CA (US)

FOREIGN PATENT DOCUMENTS

EM 003165448-0001 \* 6/2016

(73) Assignee: **Plume Design, Inc.**, Palo Alto, CA  
(US)

OTHER PUBLICATIONS

Brand Assets. [online] Published date unknown. Retrieved on Oct.  
17, 2016 from <URL: <https://www.plumewifi.com/press>>.\*

(\*\*) Term: **15 Years**

(Continued)

(21) Appl. No.: **29/548,791**

*Primary Examiner* — Vy Koenig

*Assistant Examiner* — Omeed Agilee

(22) Filed: **Dec. 16, 2015**

(74) *Attorney, Agent, or Firm* — Clements Bernard  
Walker PLLC; Lawrence A. Baratta, Jr.; Christopher L.  
Bernard

(51) **LOC (10) Cl.** ..... **13-02**

(52) **U.S. Cl.**  
USPC ..... **D13/110**

(58) **Field of Classification Search**  
USPC .... D13/102–108, 110, 117–119, 133, 138.1,  
D13/184; D11/40–41; D9/430;  
D14/349, 351, 353–355  
CPC ... H01M 2/02; Y02E 60/12; H02J 7/02; H02J  
2007/0096

See application file for complete search history.

(57) **CLAIM**

We claim the ornamental design for a Wi-Fi device, as  
shown and described.

**DESCRIPTION**

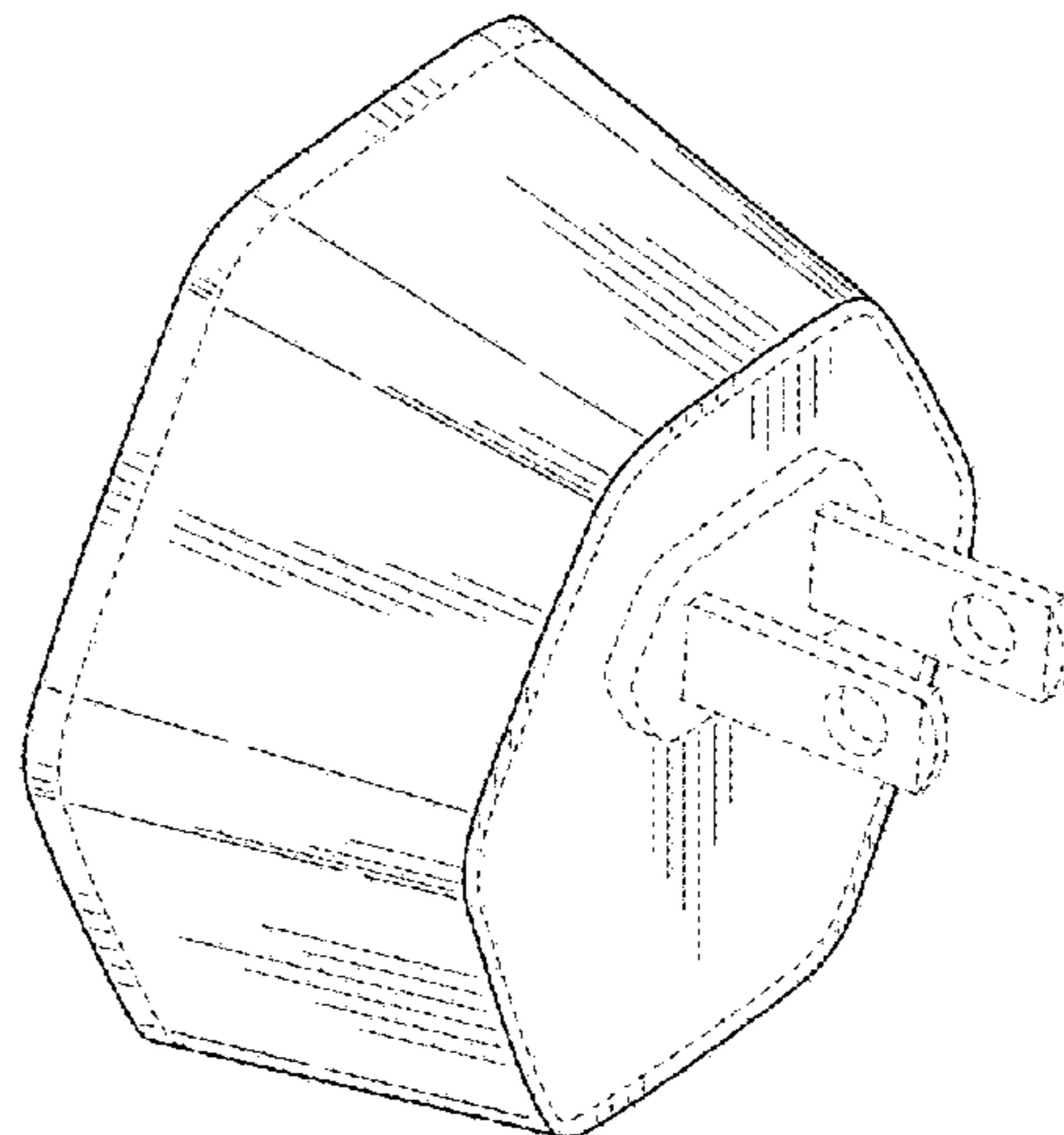
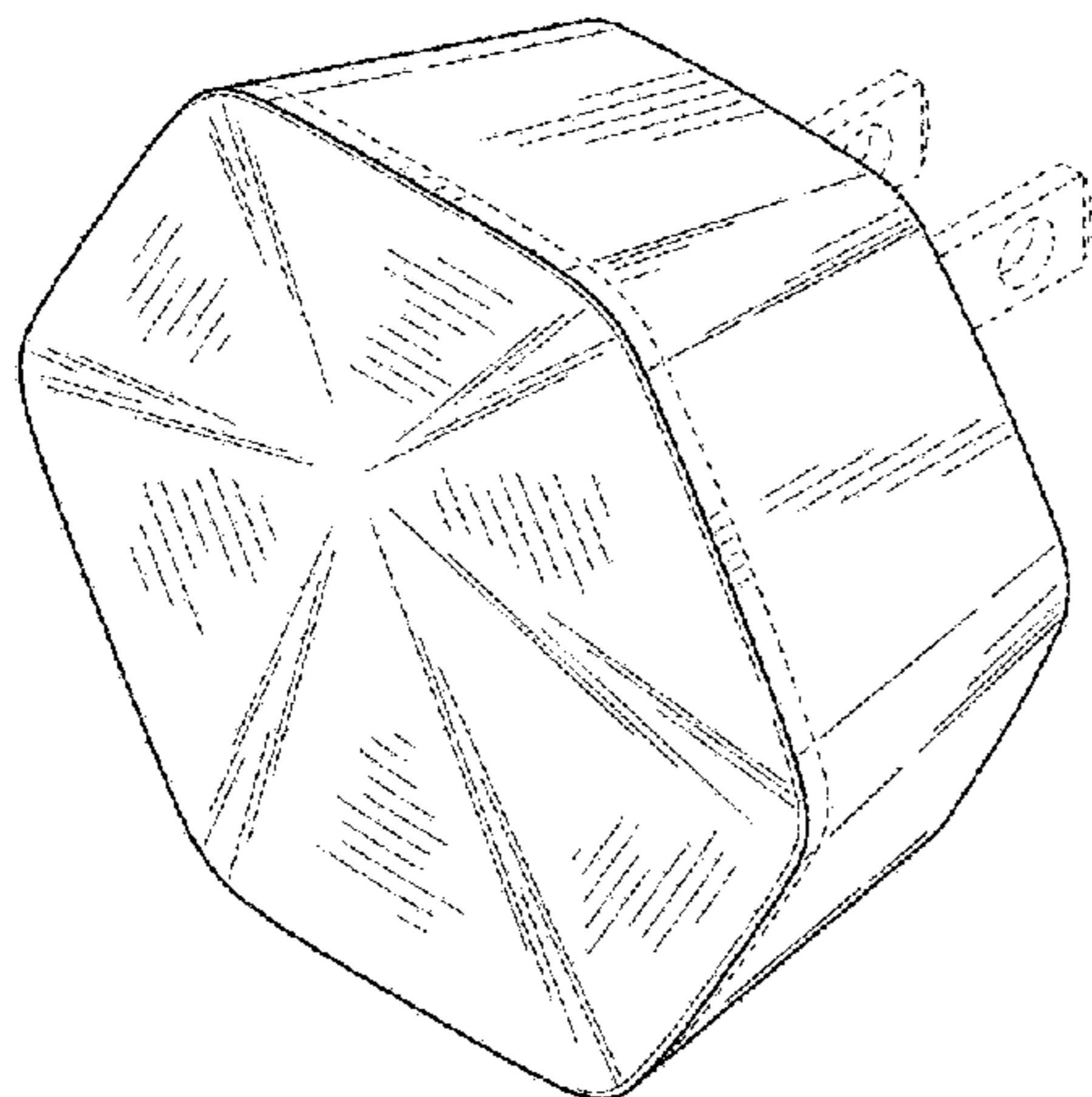
FIG. 1 is a front, left, and top perspective view of a Wi-Fi  
device showing our new design;  
FIG. 2 is a rear, left, and top perspective view thereof;  
FIG. 3 is a bottom and rear perspective view thereof;  
FIG. 4 is a front elevational view thereof;  
FIG. 5 is a rear elevational view thereof;  
FIG. 6 is a left elevational view thereof;  
FIG. 7 is a right elevational view thereof;  
FIG. 8 is a top plan view thereof; and,  
FIG. 9 is a bottom plan view thereof.  
Features shown in broken lines depict portions of the Wi-Fi  
device that form no part of the claimed design. The shade  
lines shown throughout the views are intended to indicate  
surface contour and are not intended to be surface ornamen-  
tation.

(56) **References Cited**

U.S. PATENT DOCUMENTS

2,342,623 A \* 2/1944 Albert Aquino  
Salvatore ..... B65D 5/02  
229/108  
D243,979 S \* 4/1977 Carter ..... D6/669  
D429,429 S \* 8/2000 Murphy ..... D6/678  
D436,919 S 1/2001 Wakefield et al.  
D495,247 S \* 8/2004 Keberlein ..... D9/418  
D559,783 S \* 1/2008 Matzdorff ..... D13/137.2  
D610,992 S \* 3/2010 Fahrendorff ..... D13/138.1  
D617,275 S \* 6/2010 Fahrendorff ..... D13/138.1  
D653,208 S \* 1/2012 Au ..... D13/108  
D653,614 S \* 2/2012 Au ..... D13/108  
D664,093 S \* 7/2012 Andre ..... D13/138.1

**1 Claim, 4 Drawing Sheets**



(56)

**References Cited**

## U.S. PATENT DOCUMENTS

D717,163 S \* 11/2014 Paulsen ..... D9/431  
D724,583 S \* 3/2015 Ge  
D727,722 S \* 4/2015 Beland ..... D9/430  
D737,523 S \* 8/2015 Strbik, III ..... D29/101.3  
D739,355 S \* 9/2015 D'Aubeterre ..... D13/139.8  
D740,751 S \* 10/2015 Akana ..... D13/110  
D741,257 S \* 10/2015 Sumida ..... D13/108  
D742,309 S \* 11/2015 Sumida ..... D13/108  
D764,909 S \* 8/2016 Tulin ..... D9/430  
D765,082 S \* 8/2016 Allen, Sr. .... D14/433  
D769,070 S \* 10/2016 Heimsoth ..... D7/509

## OTHER PUBLICATIONS

What is Plume WiFi—Episode 1. [online] Published date May 15, 2016. Retrieved on Oct. 17, 2016 from <URL:[https://www.youtube.com/watch?v=gti5Gbrn\\_Sc](https://www.youtube.com/watch?v=gti5Gbrn_Sc)>.\*

“EW-7438RPn Air Overview” Edimax Website, Accessed on Nov. 17, 2015 at [http://www.edimax.com/edimax/merchandise/merchandise\\_detail/data/edimax/global/wi-fi\\_range\\_extenders\\_n300/ew-7438rpn\\_air/](http://www.edimax.com/edimax/merchandise/merchandise_detail/data/edimax/global/wi-fi_range_extenders_n300/ew-7438rpn_air/).

“N600 WiFi Range Extender” Netgear Website, Accessed on Nov. 17, 2015 at <http://www.netgear.com/home/products/networking/wifi-range-extenders/WN3500RP.aspx>.

“300Mbps Wi-Fi Range Extender, AV500 Powerline Edition” TP-LINK Website, Accessed on Nov. 17, 2015 at [http://www.tp-link.us/products/details/cat-5034\\_TL-WPA4220KIT.html](http://www.tp-link.us/products/details/cat-5034_TL-WPA4220KIT.html).

\* cited by examiner

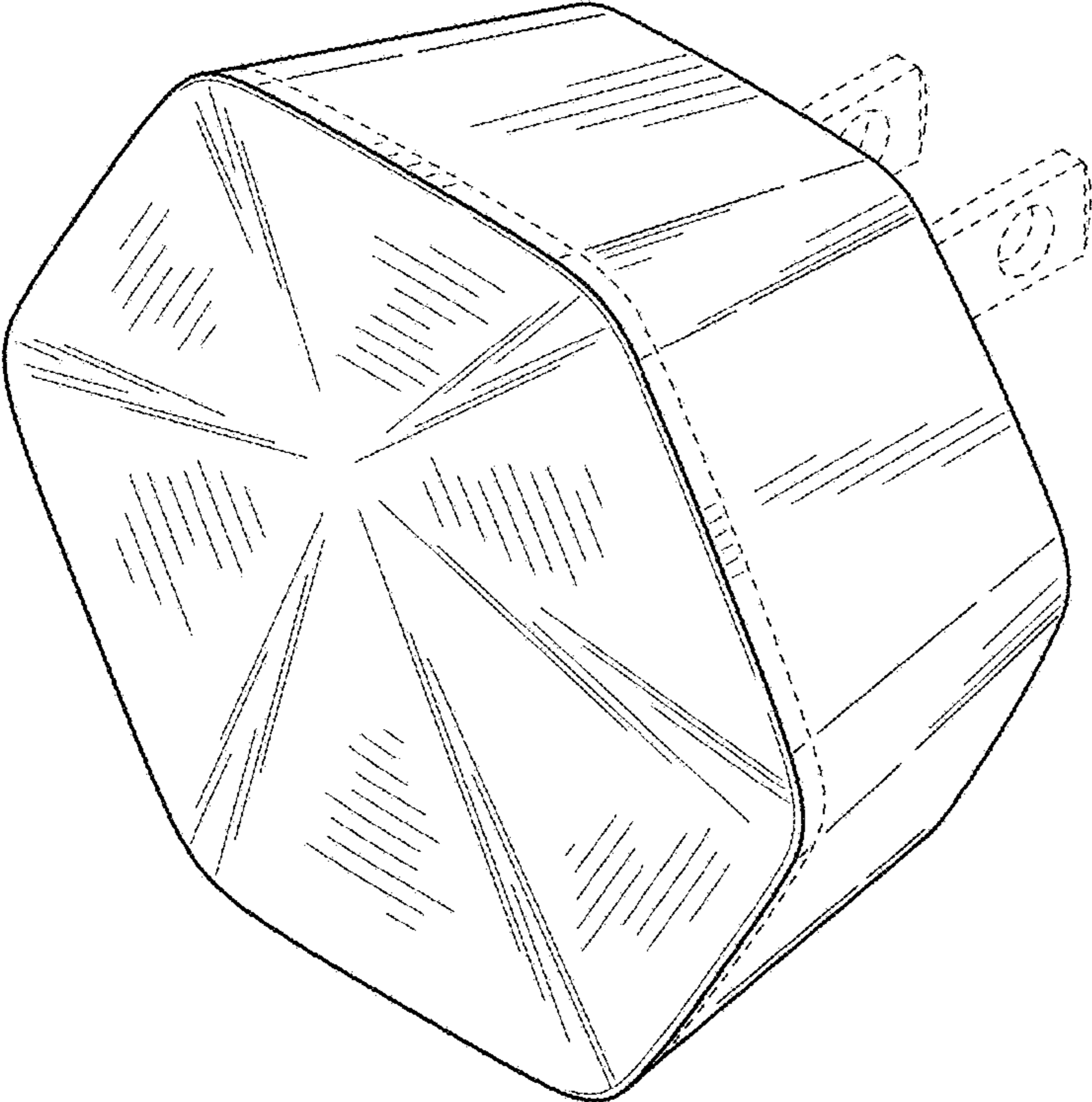


FIG. 1

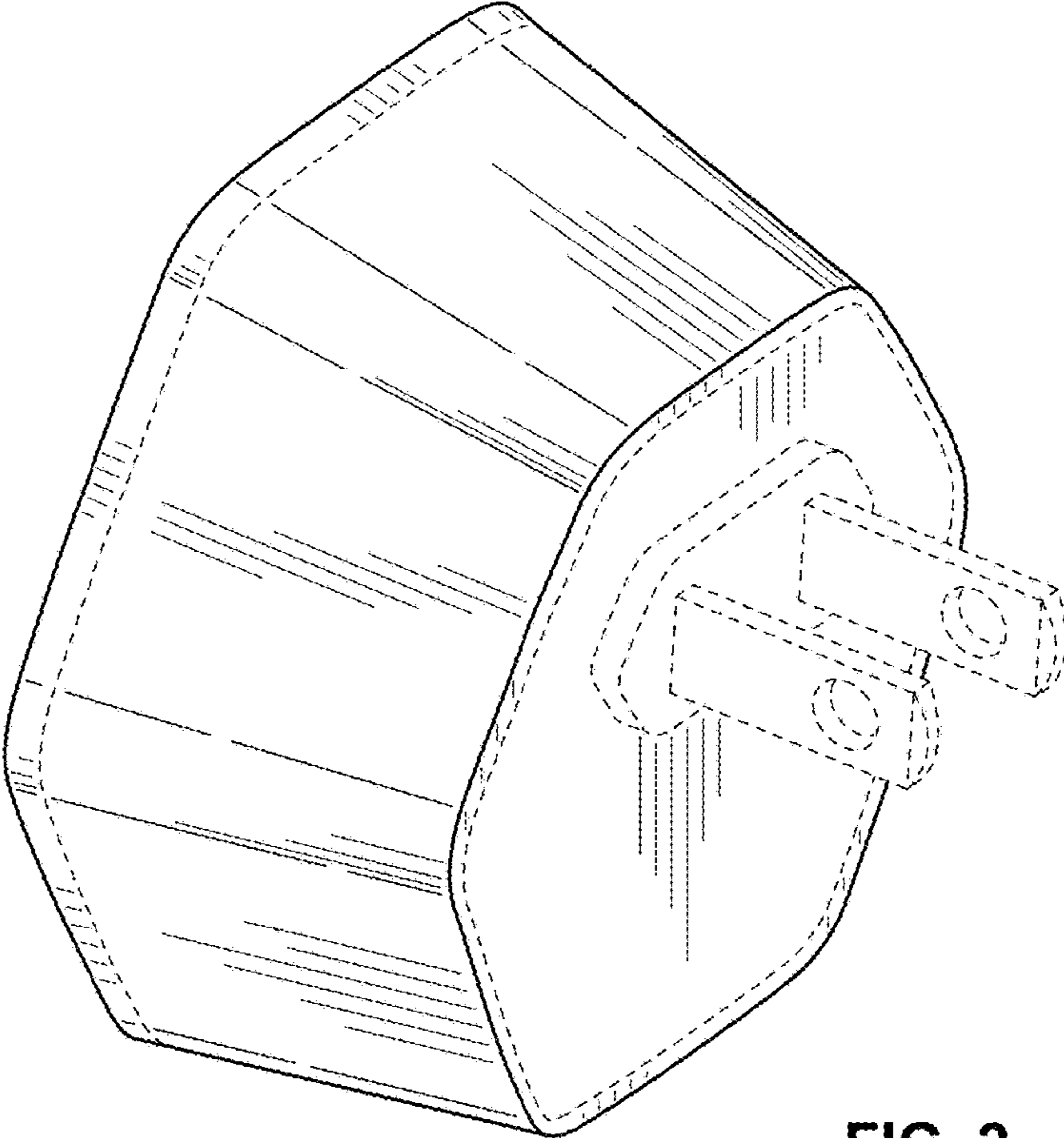


FIG. 2

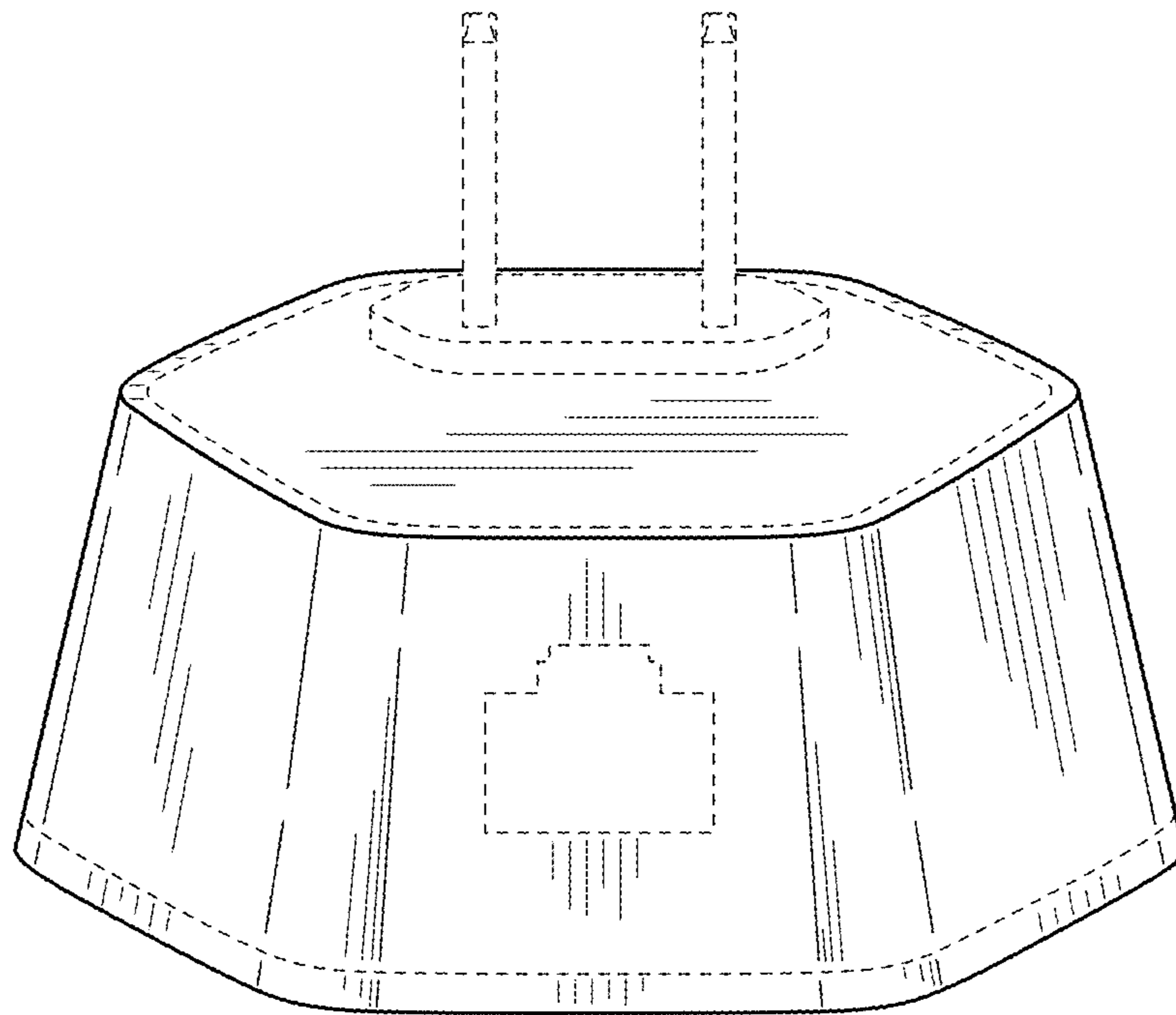


FIG. 3

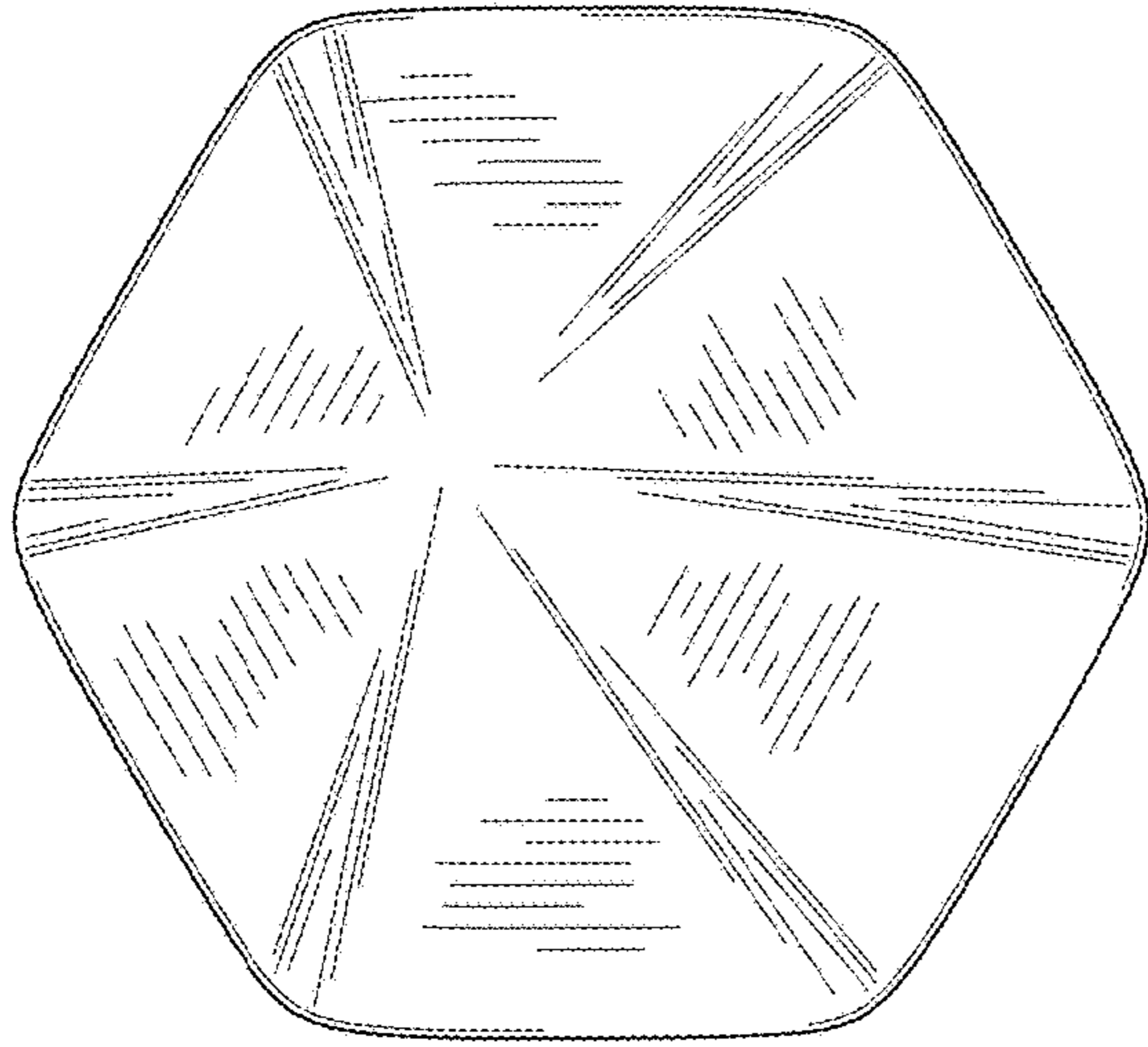


FIG. 4

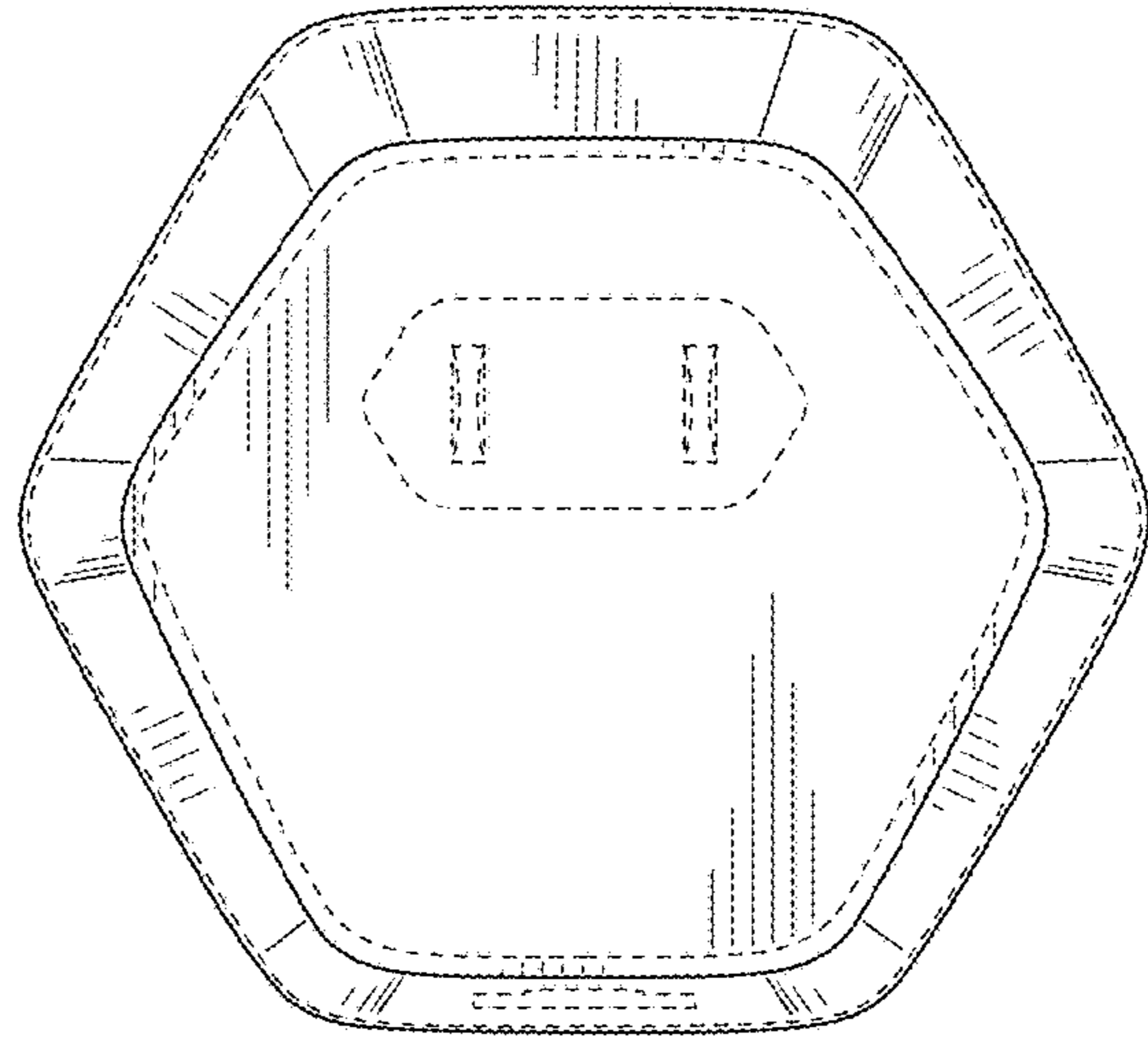


FIG. 5

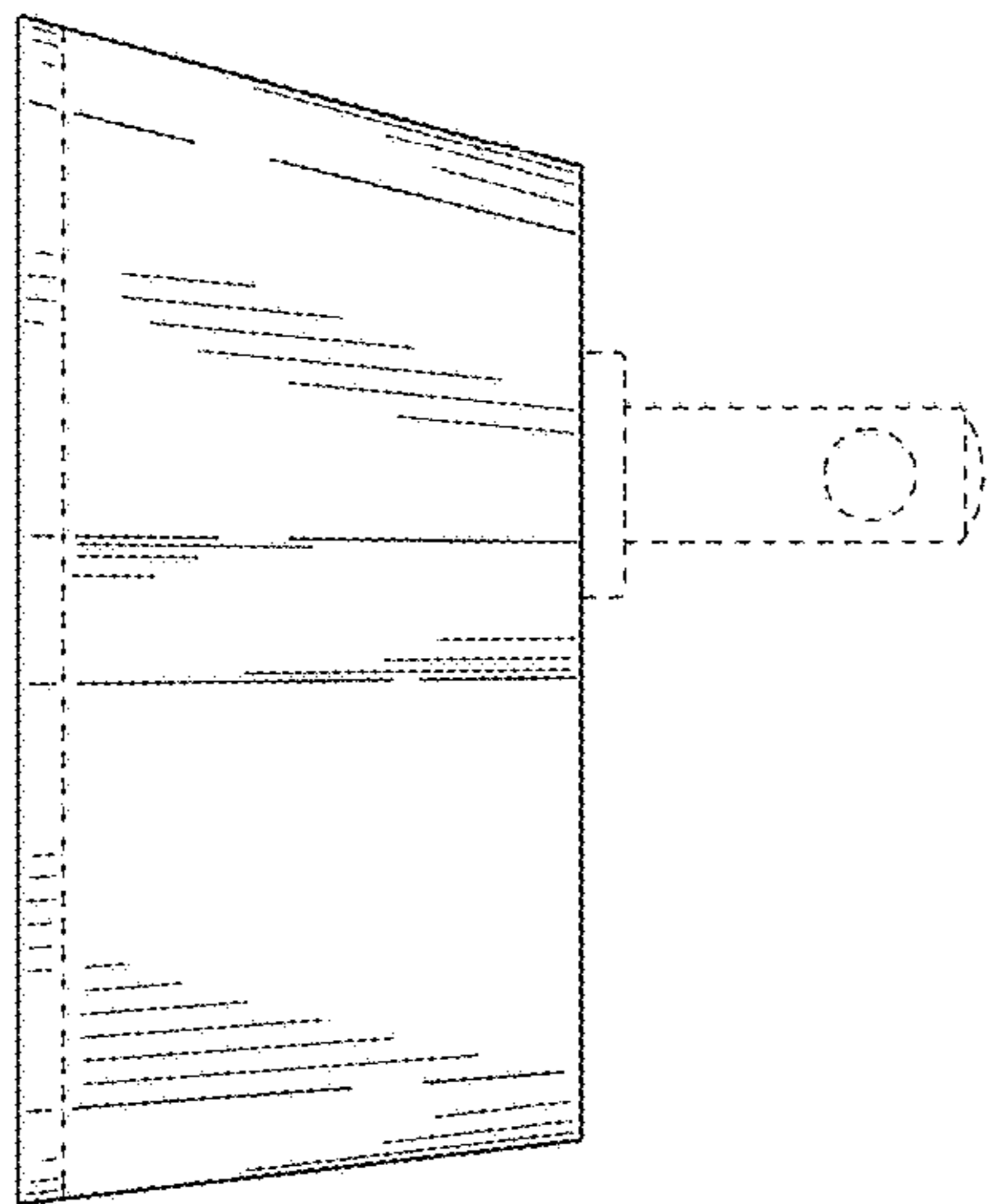


FIG. 6

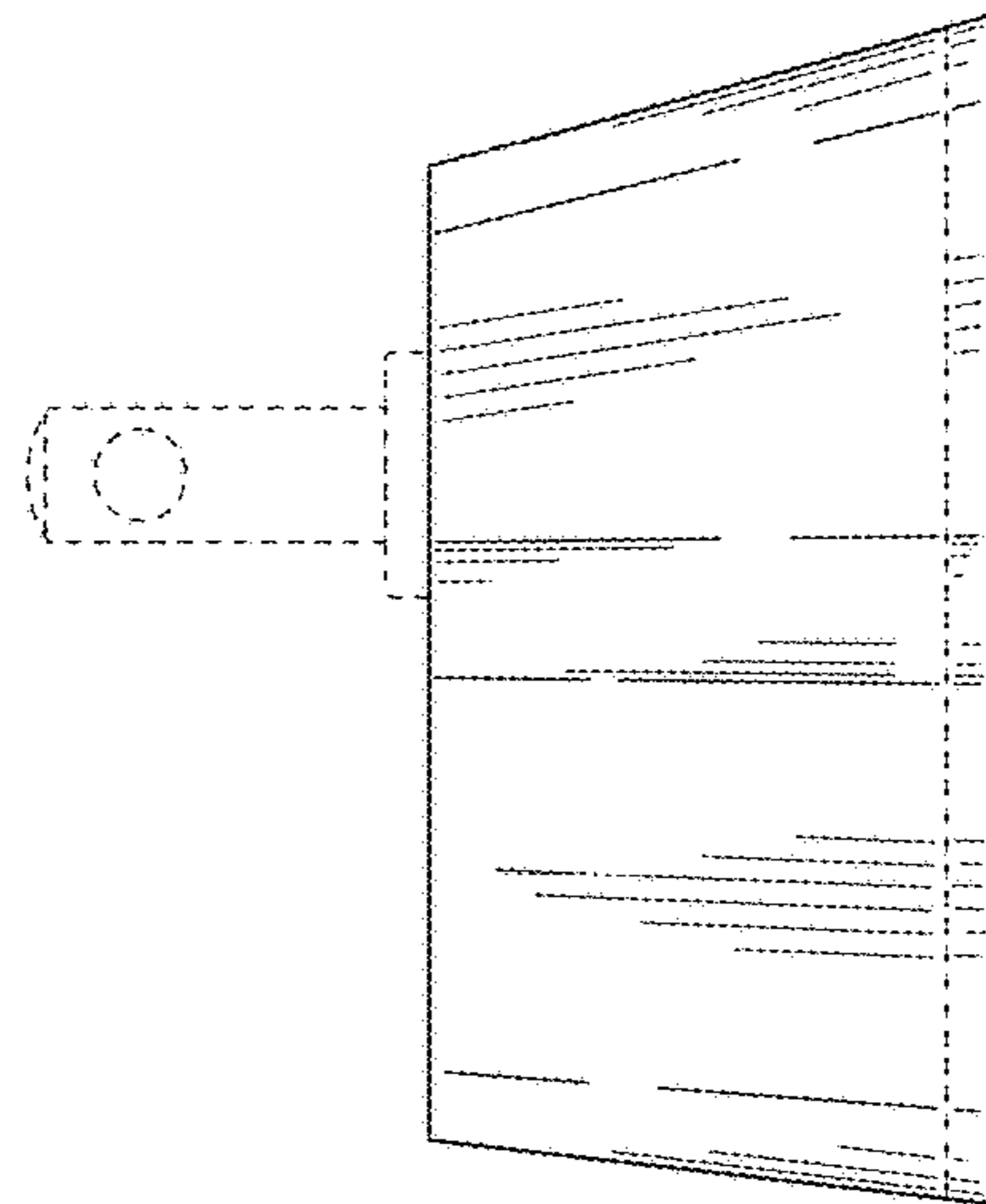


FIG. 7

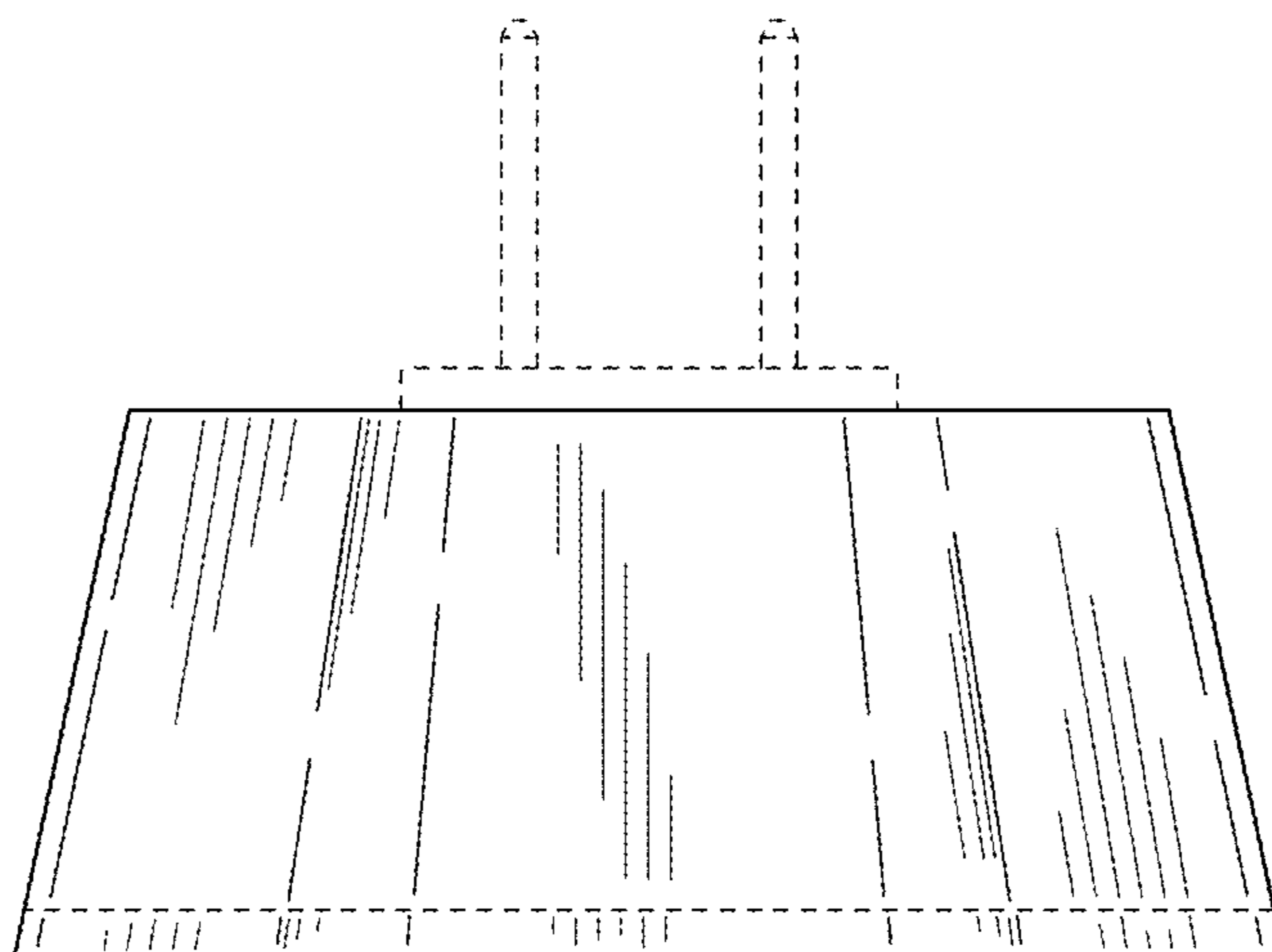


FIG. 8

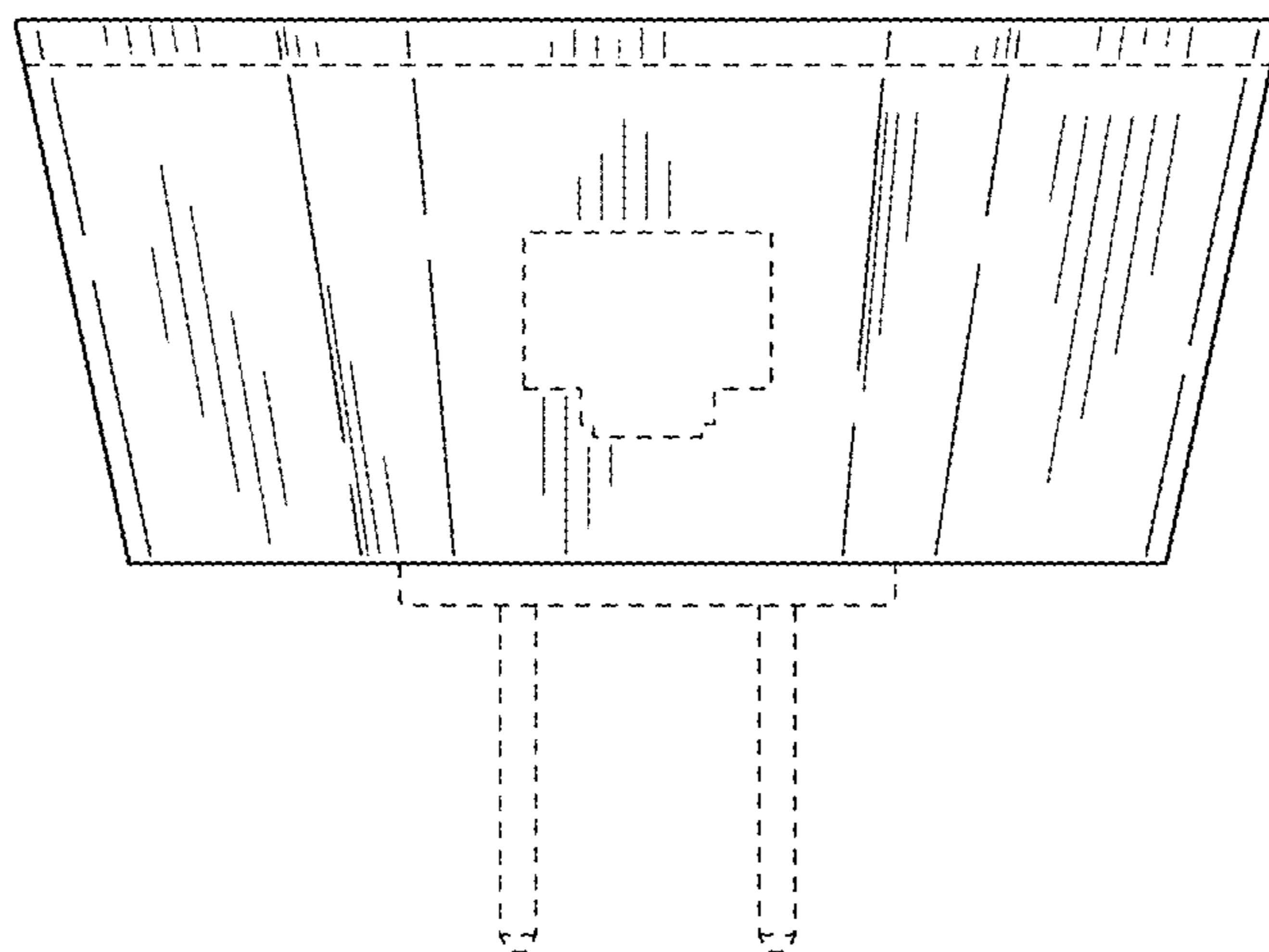


FIG. 9