



US00D790460S

(12) **United States Design Patent**  
**HibmaCronan et al.**

(10) **Patent No.:** **US D790,460 S**  
(45) **Date of Patent:** **\*\* Jun. 27, 2017**

(54) **WI-FI DEVICE**

FOREIGN PATENT DOCUMENTS

(71) Applicant: **Plume Design, Inc.**, Palo Alto, CA (US)

EM 003165448-0001 \* 6/2016

(72) Inventors: **Christopher N. HibmaCronan**, Oakland, CA (US); **Joshua Morenstein**, San Francisco, CA (US); **Willy Carteau**, Oakland, CA (US)

OTHER PUBLICATIONS

What is Plume WiFi—Episode 1. [online] Published date May 15, 2016. Retrieved on Oct. 17, 2016 from <URL: [https://www.youtube.com/watch?v=gti5Gbrn\\_Sc](https://www.youtube.com/watch?v=gti5Gbrn_Sc)>.\*

(73) Assignee: **Plume Design, Inc.**, Palo Alto, CA (US)

(Continued)

(\*\*) Term: **15 Years**

*Primary Examiner* — Vy Koenig

*Assistant Examiner* — Omeed Agilee

(21) Appl. No.: **29/548,785**

(74) *Attorney, Agent, or Firm* — Clements Bernard

(22) Filed: **Dec. 16, 2015**

Walker PLLC; Lawrence A. Baratta, Jr.; Christopher L. Bernard

(51) **LOC (10) Cl.** ..... **13-02**

(52) **U.S. Cl.**  
USPC ..... **D13/110**

(58) **Field of Classification Search**  
USPC .... D13/102–108, 110, 117–119, 133, 138.1, D13/184; D11/40–41; D9/430; D14/349, 351, 353–355  
CPC ... H01M 2/02; Y02E 60/12; H02J 7/02; H02J 2007/0096  
See application file for complete search history.

(57) **CLAIM**

We claim the ornamental design for a Wi-Fi device, as shown and described.

(56) **References Cited**

**DESCRIPTION**

U.S. PATENT DOCUMENTS

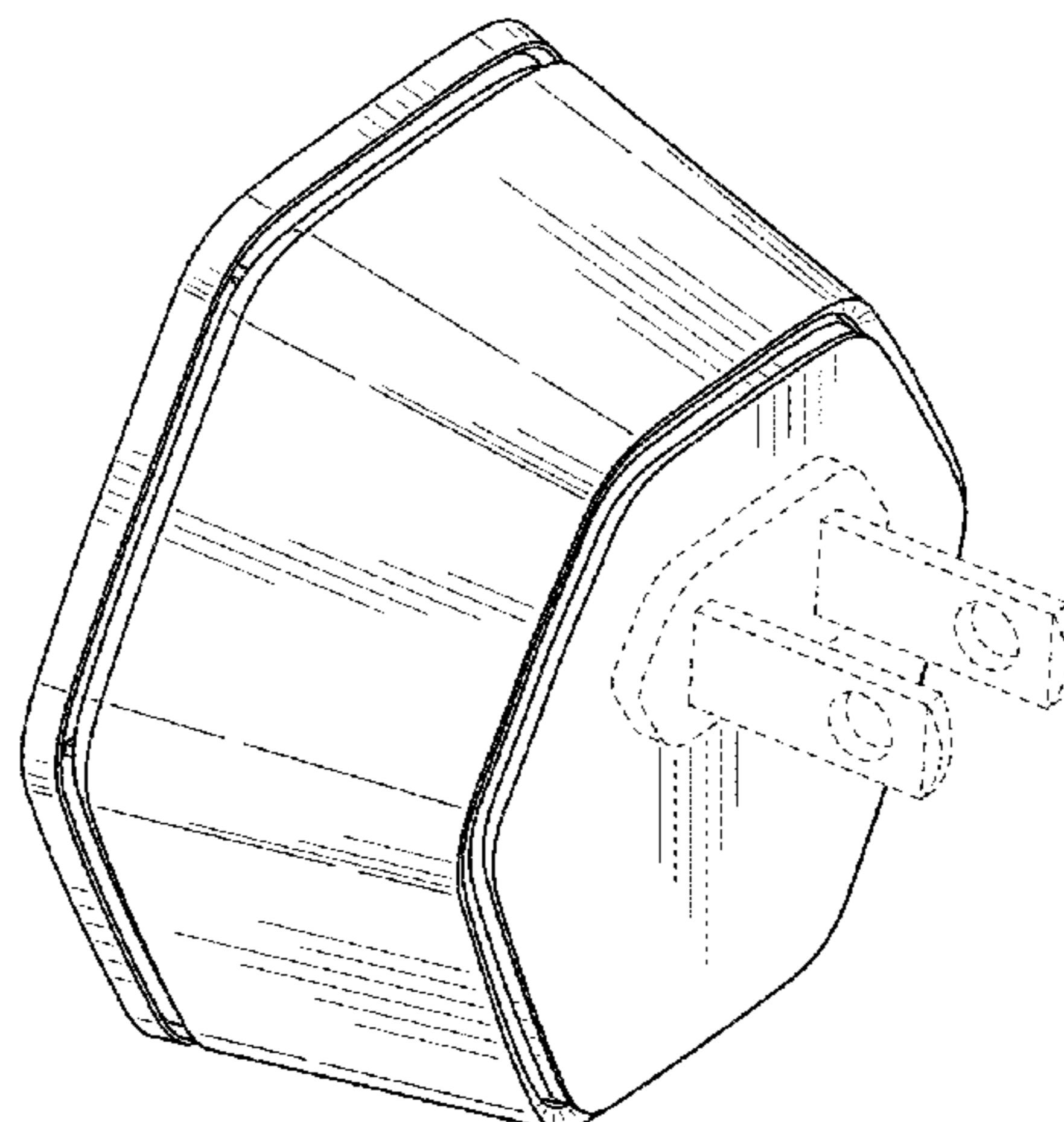
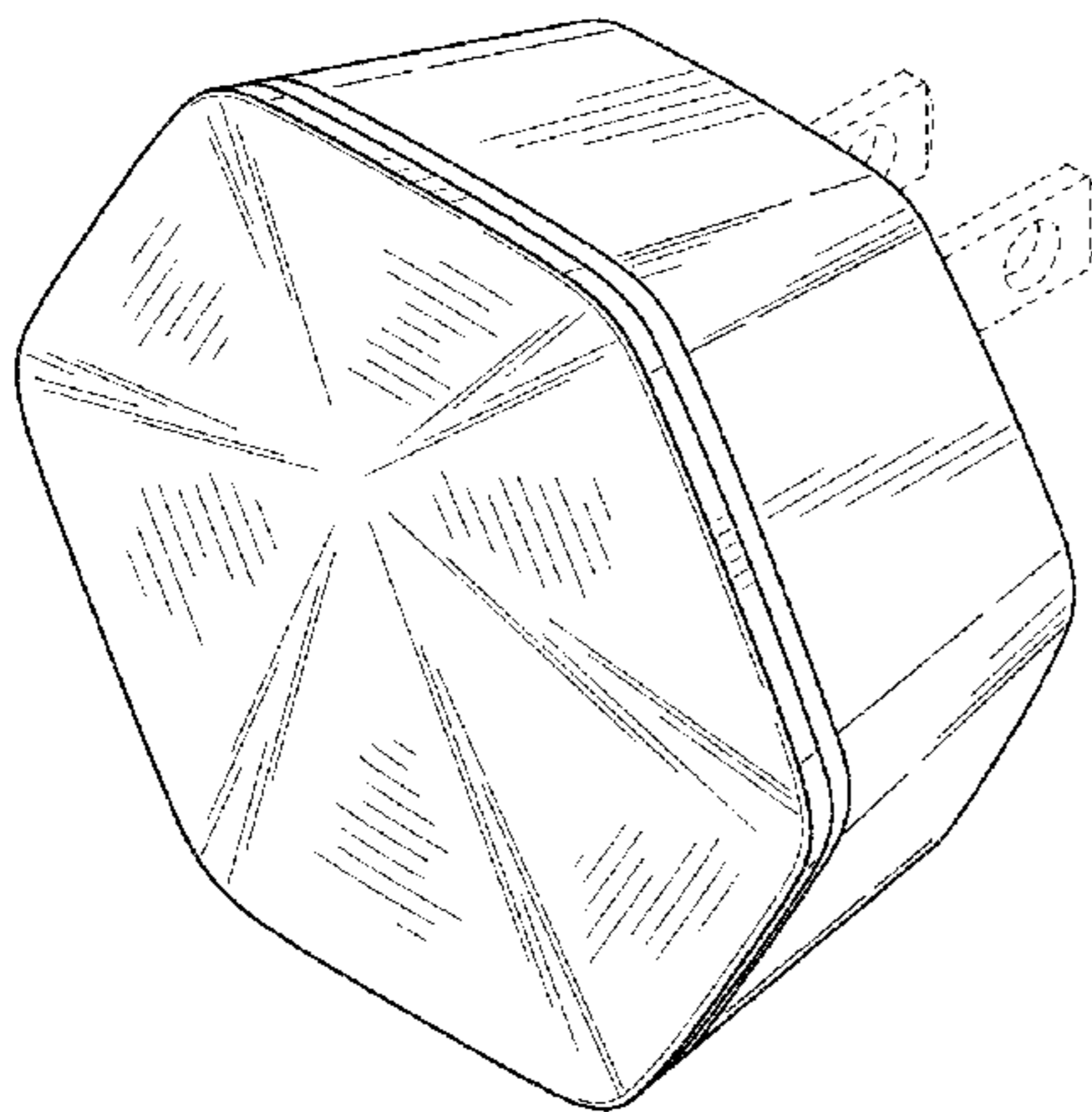
2,342,623	A	*	2/1944	Aquino	.....	B65D 5/02
						229/108
D243,979	S	*	4/1977	Carter	.....	D6/669
D429,429	S	*	8/2000	Murphy	.....	D6/678
D436,919	S		1/2001	Wakefield et al.		
D495,247	S	*	8/2004	Keberlein	.....	D9/418
D610,992	S	*	3/2010	Fahrendorff	.....	D13/138.1
D617,275	S	*	6/2010	Fahrendorff	.....	D13/138.1
D651,169	S	*	12/2011	Zhuan	.....	D13/108
D653,208	S	*	1/2012	Au	.....	D13/108
D665,354	S	*	8/2012	Chen	.....	D13/138.1
D677,223	S		3/2013	Cho		
D717,163	S	*	11/2014	Paulsen	.....	D9/431
D724,583	S		3/2015	Ge		

FIG. 1 is a front, left, and top perspective view of a Wi-Fi device showing our new design;  
FIG. 2 is a rear, left, and top perspective view thereof;  
FIG. 3 is a bottom and rear perspective view thereof;  
FIG. 4 is a front elevational view thereof;  
FIG. 5 is a rear elevational view thereof;  
FIG. 6 is a left elevational view thereof;  
FIG. 7 is a right elevational view thereof;  
FIG. 8 is a top plan view thereof; and,  
FIG. 9 is a bottom plan view thereof.

Features shown in broken lines depict portions of the Wi-Fi device that form no part of the claimed design. The shade lines shown throughout the views are intended to indicate surface contour and are not intended to be surface ornamentation.

(Continued)

**1 Claim, 4 Drawing Sheets**



(56)

**References Cited**

## U.S. PATENT DOCUMENTS

D727,722 S \* 4/2015 Beland ..... D9/430  
D732,472 S \* 6/2015 Laffon ..... D13/110  
D737,523 S \* 8/2015 Strbik, III ..... D29/101.3  
D741,257 S \* 10/2015 Sumida ..... D13/108  
D742,309 S \* 11/2015 Sumida ..... D13/108  
D745,460 S \* 12/2015 Zaslavsky ..... D13/138.1  
D764,909 S \* 8/2016 Tulin ..... D9/430  
D765,082 S \* 8/2016 Allen, Sr. .... D14/433  
D769,070 S \* 10/2016 Heimsoth ..... D7/509

## OTHER PUBLICATIONS

Brand Assets. [online] Published date unknown. Retrieved on Oct. 17, 2016 from <URL: <https://www.plumewifi.com/press>>.\*

“EW-7438RPn Air Overview” Edimax Website, Accessed on Nov. 17, 2015 at [http://www.edimax.com/edimax/merchandise/merchandise\\_detail/data/edimax/global/wi-fi\\_range\\_extenders\\_n300/ew-7438rpn\\_air/](http://www.edimax.com/edimax/merchandise/merchandise_detail/data/edimax/global/wi-fi_range_extenders_n300/ew-7438rpn_air/).

“N600 WiFi Range Extender” Netgear Website, Accessed on Nov. 17, 2015 at <http://www.netgear.com/home/products/networking/wifi-range-extenders/WN3500RP.aspx>.

“300Mbps Wi-Fi Range Extender, AV500 Powerline Edition” TP-LINK Website, Accessed on Nov. 17, 2015 at [http://www.tp-link.us/products/details/cat-5034\\_TL-WPA4220KIT.html](http://www.tp-link.us/products/details/cat-5034_TL-WPA4220KIT.html).

\* cited by examiner

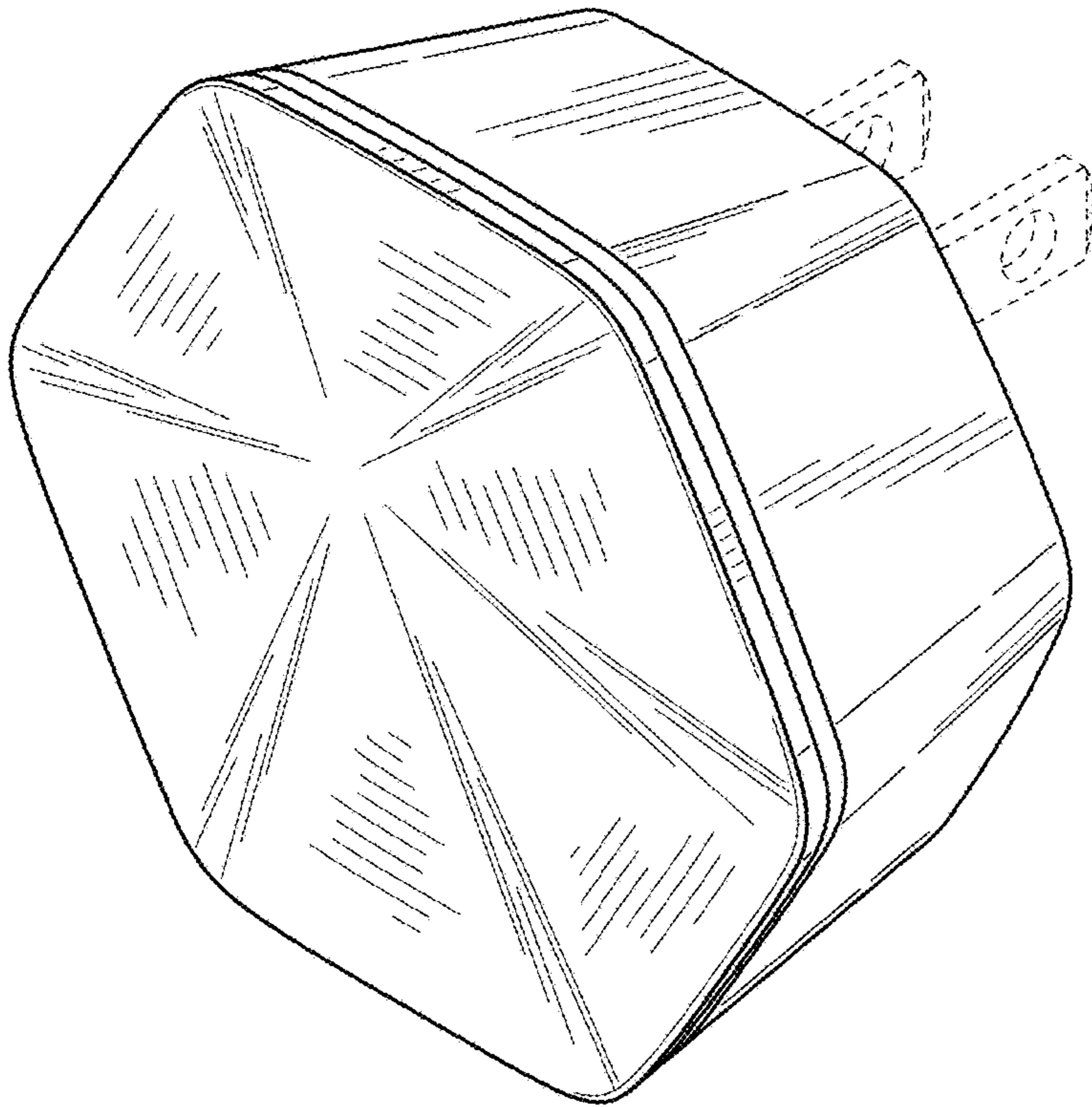


FIG. 1

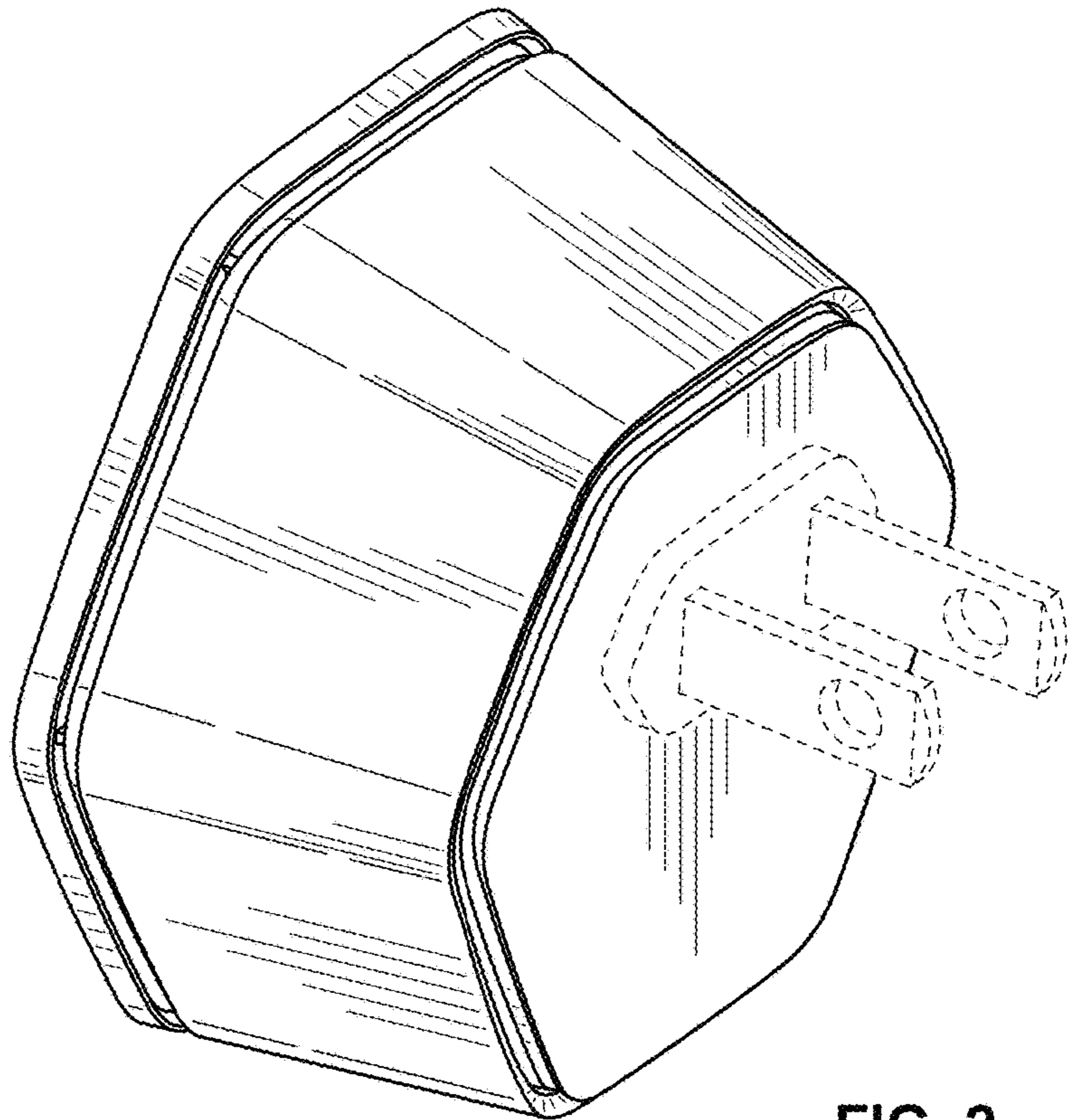


FIG. 2

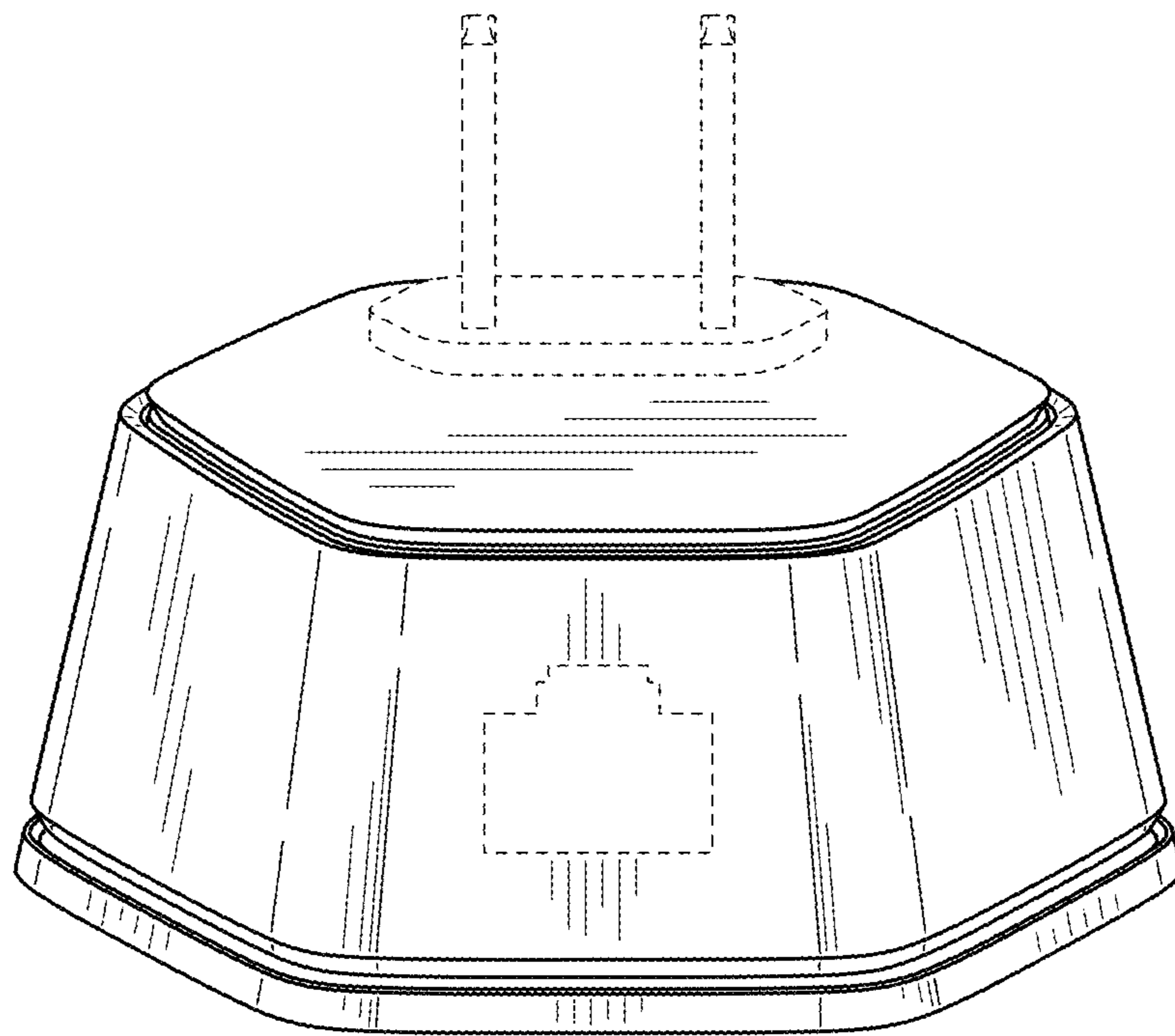


FIG. 3

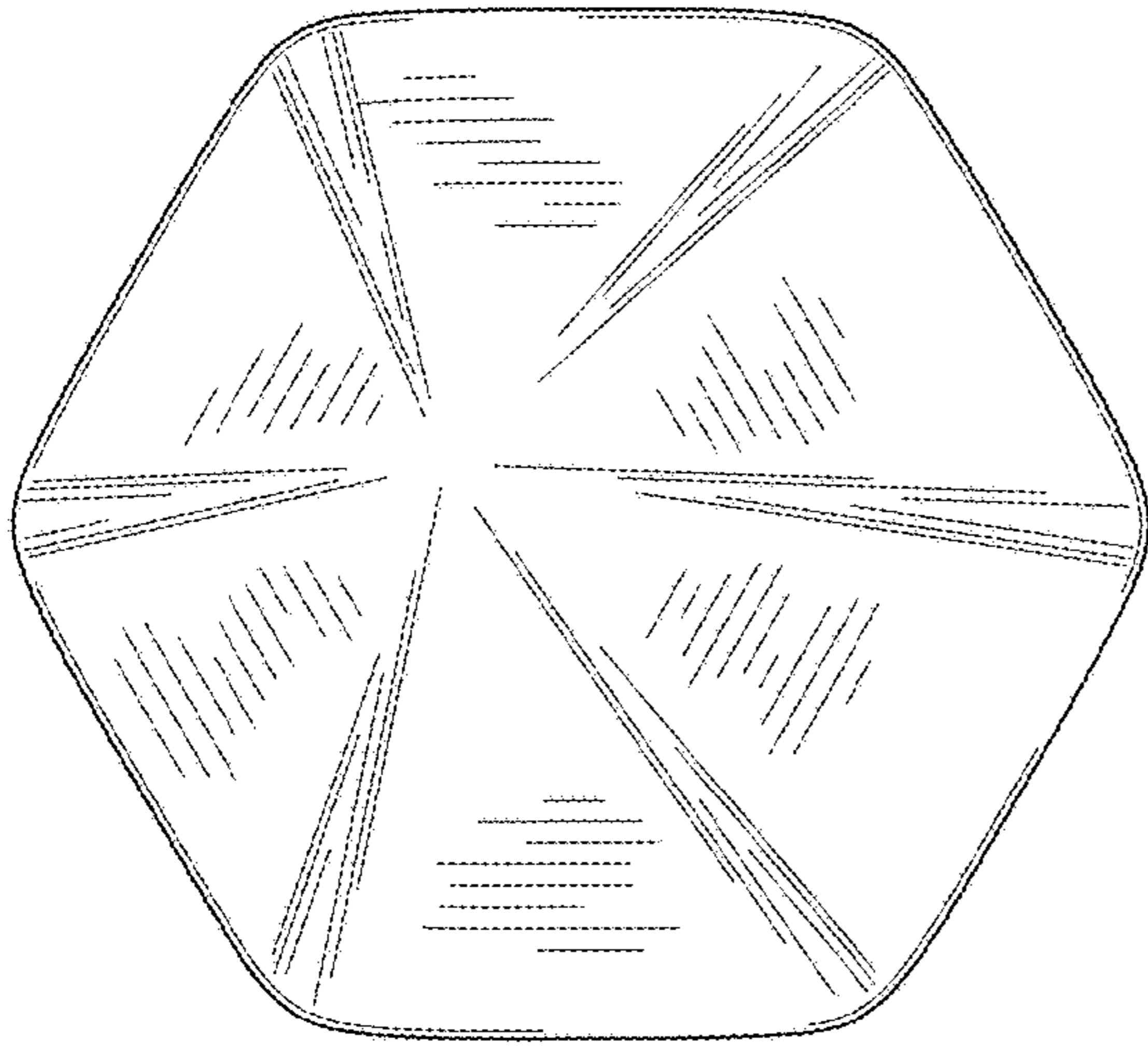


FIG. 4

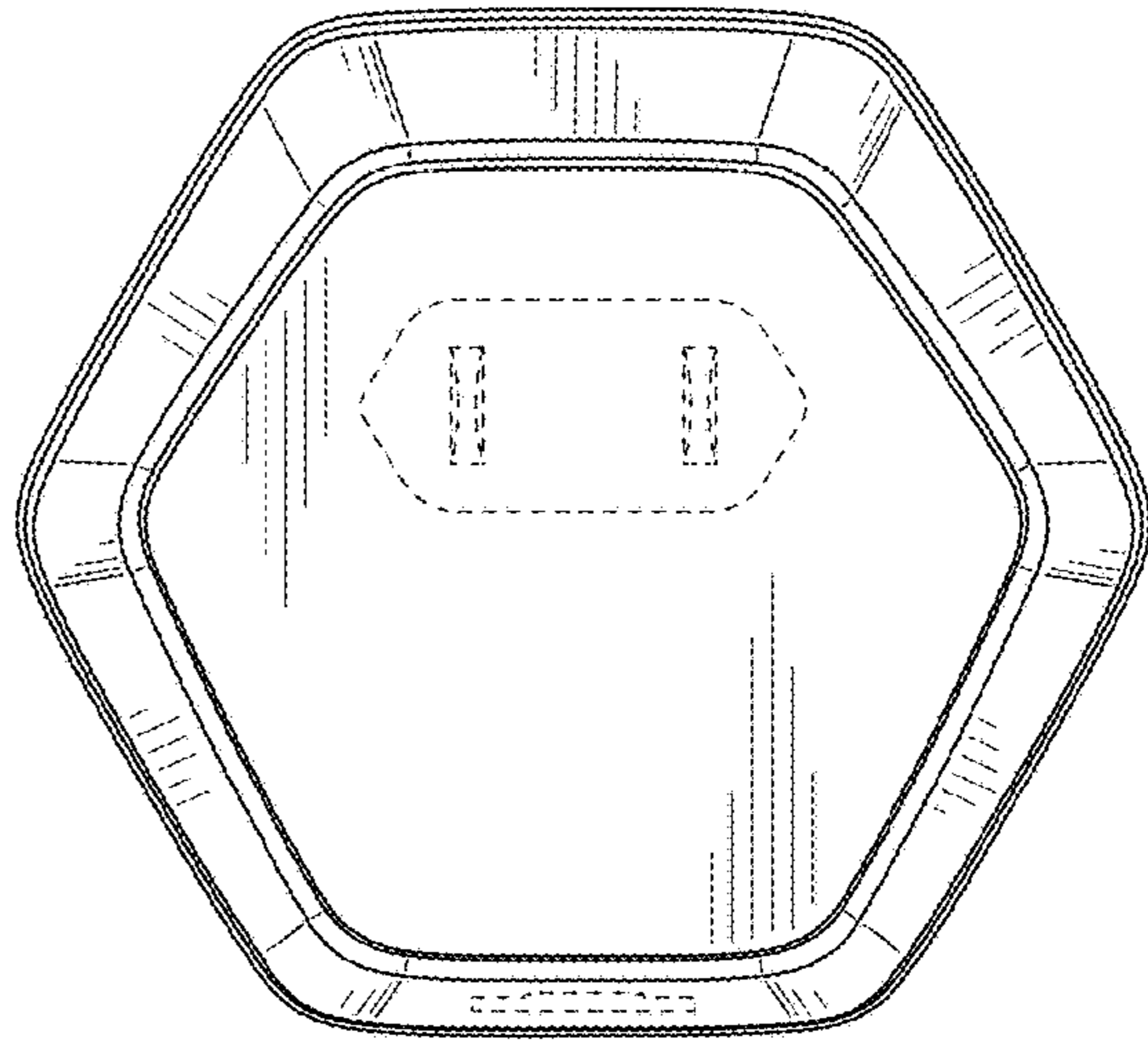


FIG. 5

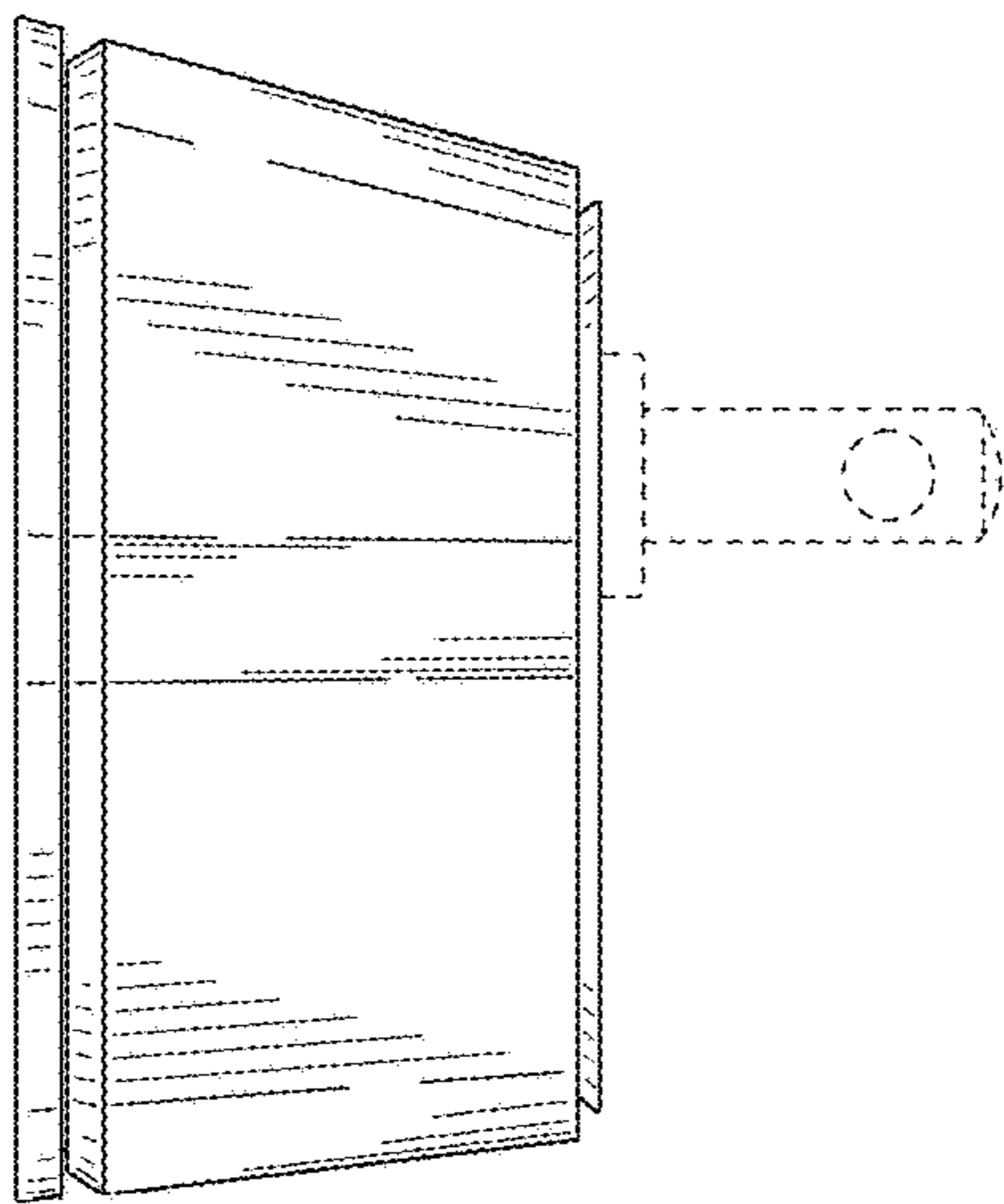


FIG. 6

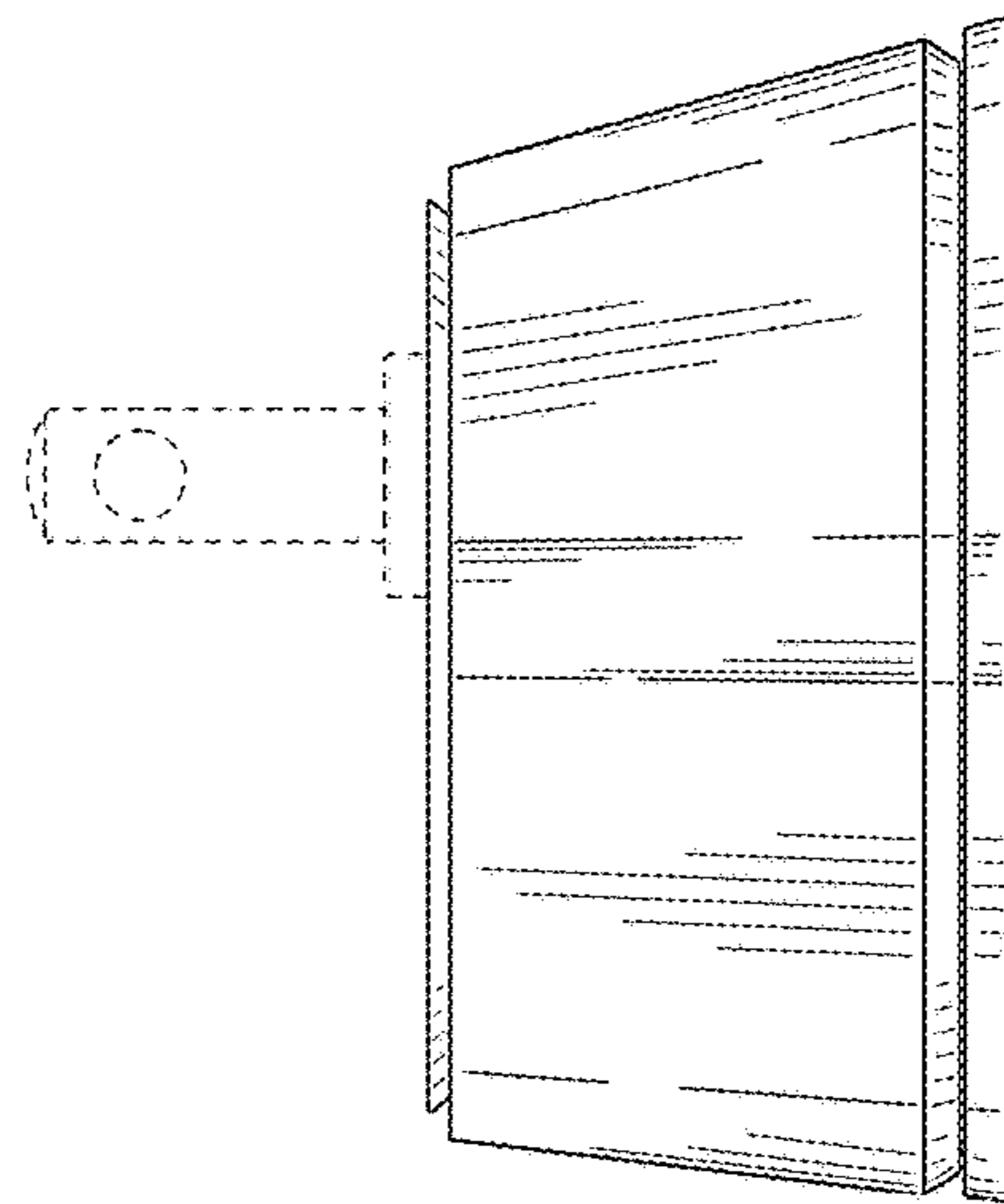


FIG. 7

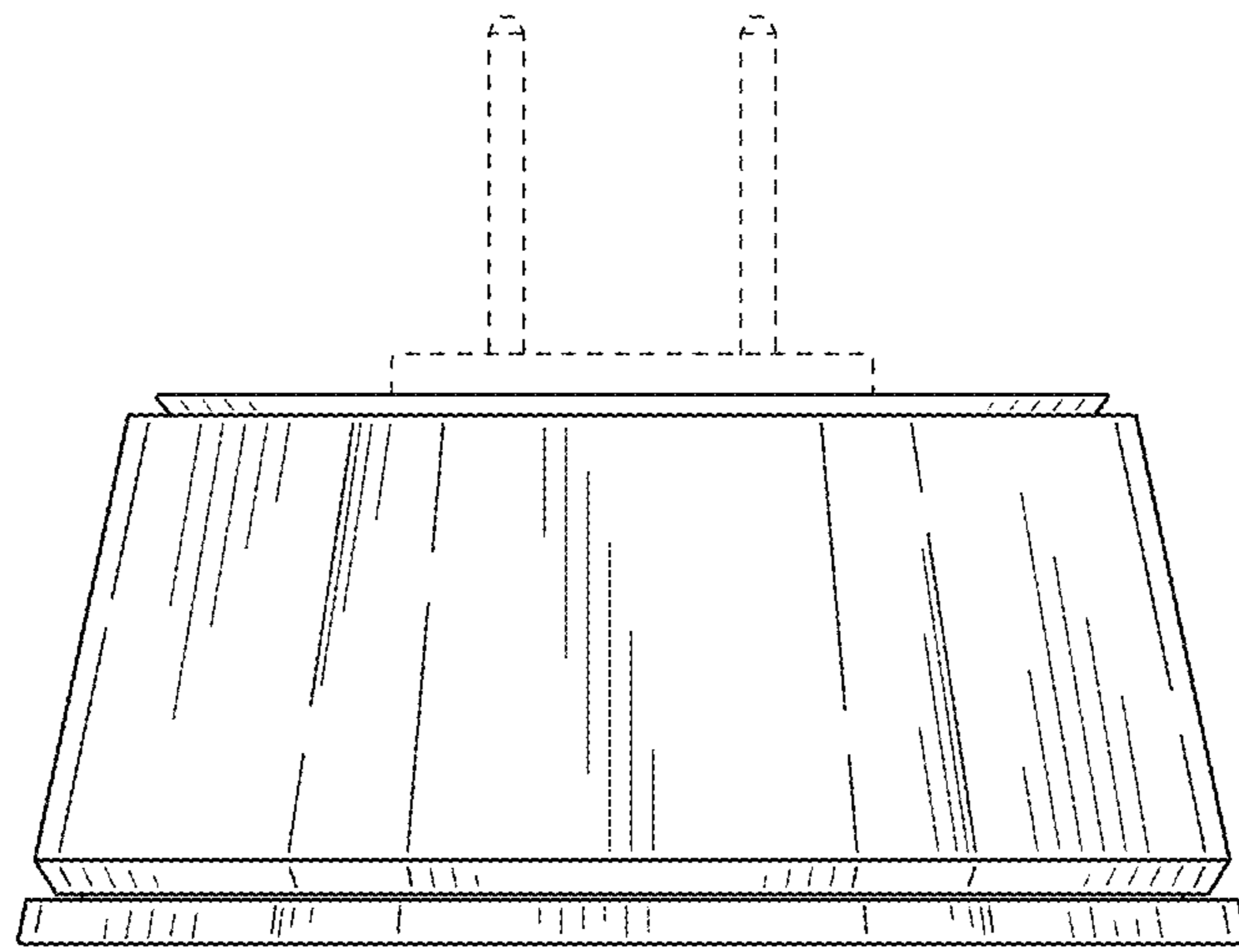


FIG. 8

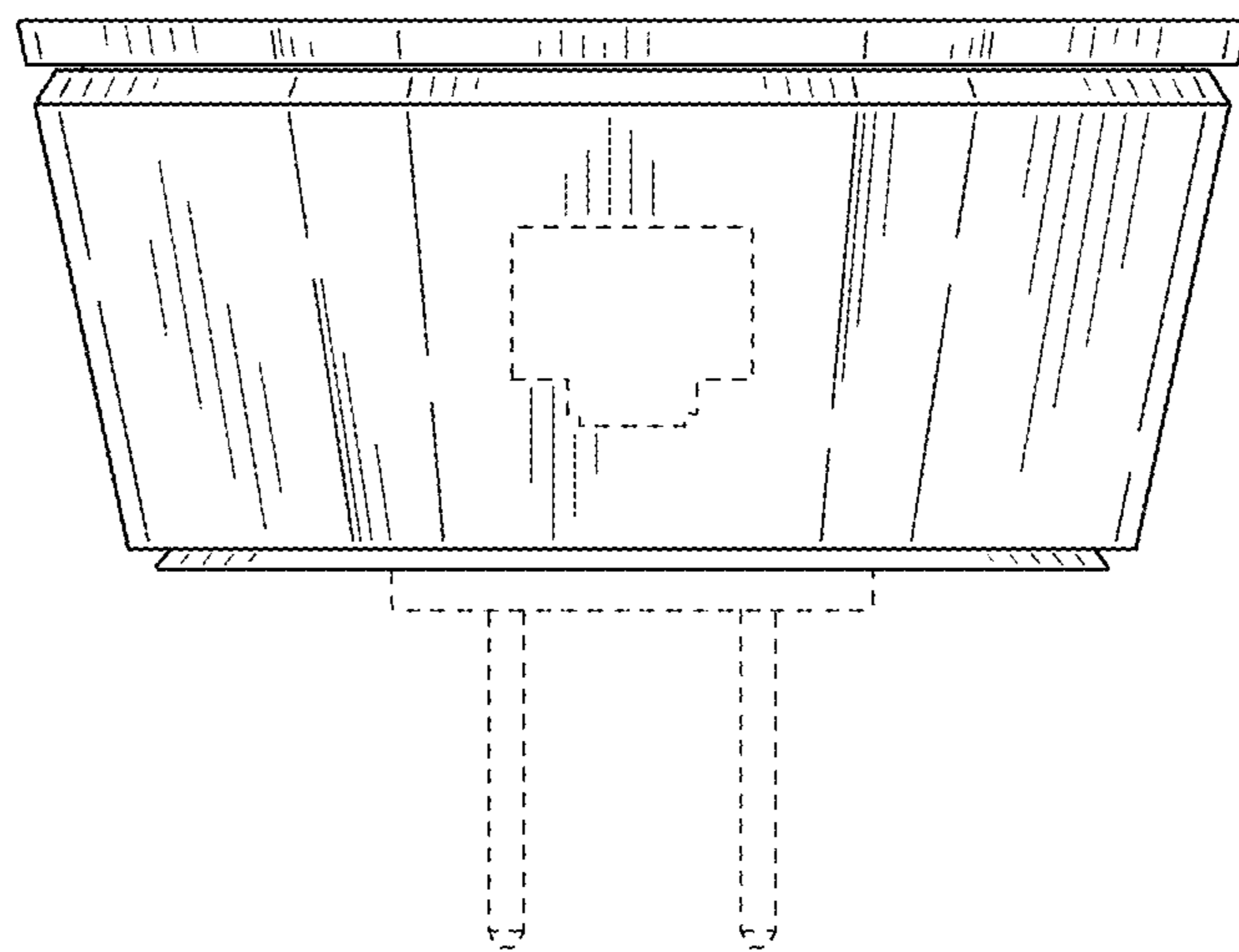


FIG. 9