



US00D790454S

(12) **United States Design Patent**  
**Lee**

(10) **Patent No.:** **US D790,454 S**  
(45) **Date of Patent:** **\*\* Jun. 27, 2017**

(54) **BATTERY**

(71) Applicant: **GoPro, Inc.**, San Mateo, CA (US)

(72) Inventor: **Seung Heon Lee**, Cupertino, CA (US)

(73) Assignee: **Go Pro, Inc.**, San Mateo, CA (US)

(\*\*) Term: **15 Years**

(21) Appl. No.: **29/591,557**

(22) Filed: **Jan. 20, 2017**

(51) **LOC (10) Cl.** ..... **13-02**

(52) **U.S. Cl.**  
USPC ..... **D13/103**

(58) **Field of Classification Search**  
USPC ..... D13/102–106, 110, 118–119, 184  
CPC ..... Y02E 60/12; Y02E 60/122; Y02E 60/124;  
Y02E 60/50; H01M 2/02; H01M 2/022;  
H01M 2/0202; H01M 2/0207; H01M  
2/0212; H01M 2/1061; H01M 2/1022;  
H01M 2/1055; H01M 2/1066; H01M  
2/105; H01M 2/204; H01M 10/4257;  
H01M 10/0436; H01M 10/48

See application file for complete search history.

(56) **References Cited**

**U.S. PATENT DOCUMENTS**

D328,888 S *	8/1992	Zhu	.....	D13/103
D329,040 S *	9/1992	Seki	.....	D13/103
D372,896 S	8/1996	Nagele et al.		
D385,283 S *	10/1997	Snyder	.....	D13/108
D386,147 S *	11/1997	Siddoway	.....	D13/103
D402,955 S	12/1998	Smith et al.		
D439,218 S	3/2001	Yu		
D460,411 S	7/2002	Wang		
D490,370 S *	5/2004	Picardo	.....	D13/103
D492,248 S	6/2004	Gregory et al.		
D521,445 S	5/2006	Liu		
D521,446 S	5/2006	Liu		

D523,808 S *	6/2006	Thor	.....	D13/103
D546,277 S *	7/2007	Andre	.....	D13/103
D561,092 S	2/2008	Kim		
D654,853 S	2/2012	Bacon et al.		
D660,788 S	5/2012	Ziring et al.		
D667,003 S	9/2012	Richter		
D668,247 S	10/2012	Kim et al.		
D681,550 S *	5/2013	Corbin	.....	D13/103
D687,426 S	8/2013	Requa		
D699,672 S	2/2014	Kosugi et al.		
D709,439 S	7/2014	Ferber et al.		
D712,347 S	9/2014	Awiszus et al.		
D712,391 S	9/2014	Kim et al.		
D715,789 S	10/2014	Yoon		
D722,043 S	2/2015	Requa		
D726,648 S *	4/2015	Zealer	.....	D13/103
9,077,013 B2	7/2015	Huang et al.		
D742,818 S	11/2015	Lin et al.		

(Continued)

*Primary Examiner* — Rosemary K Tarcza  
*Assistant Examiner* — Nathaniel D Buckner  
(74) *Attorney, Agent, or Firm* — Saidman DesignLaw Group, LLC

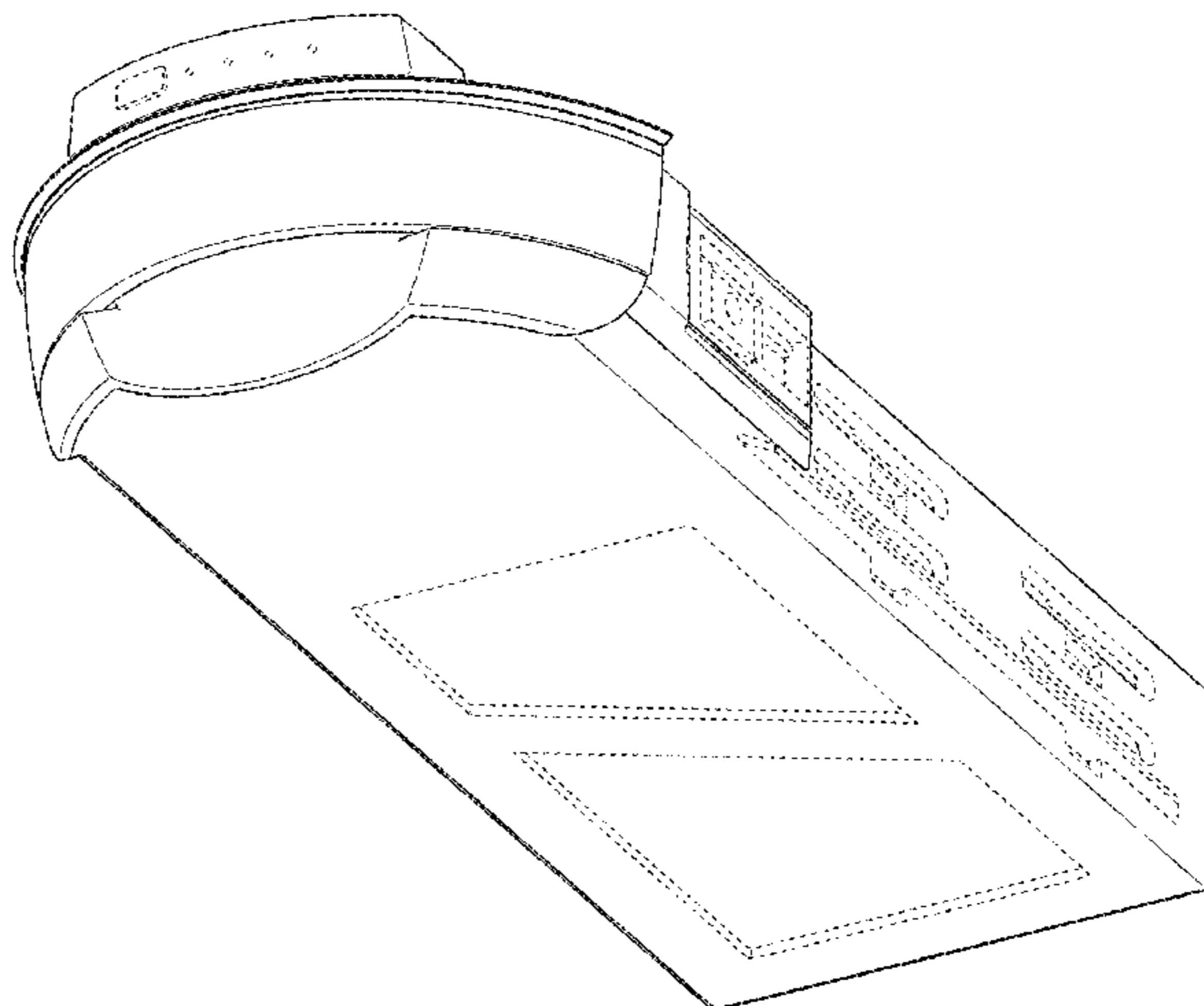
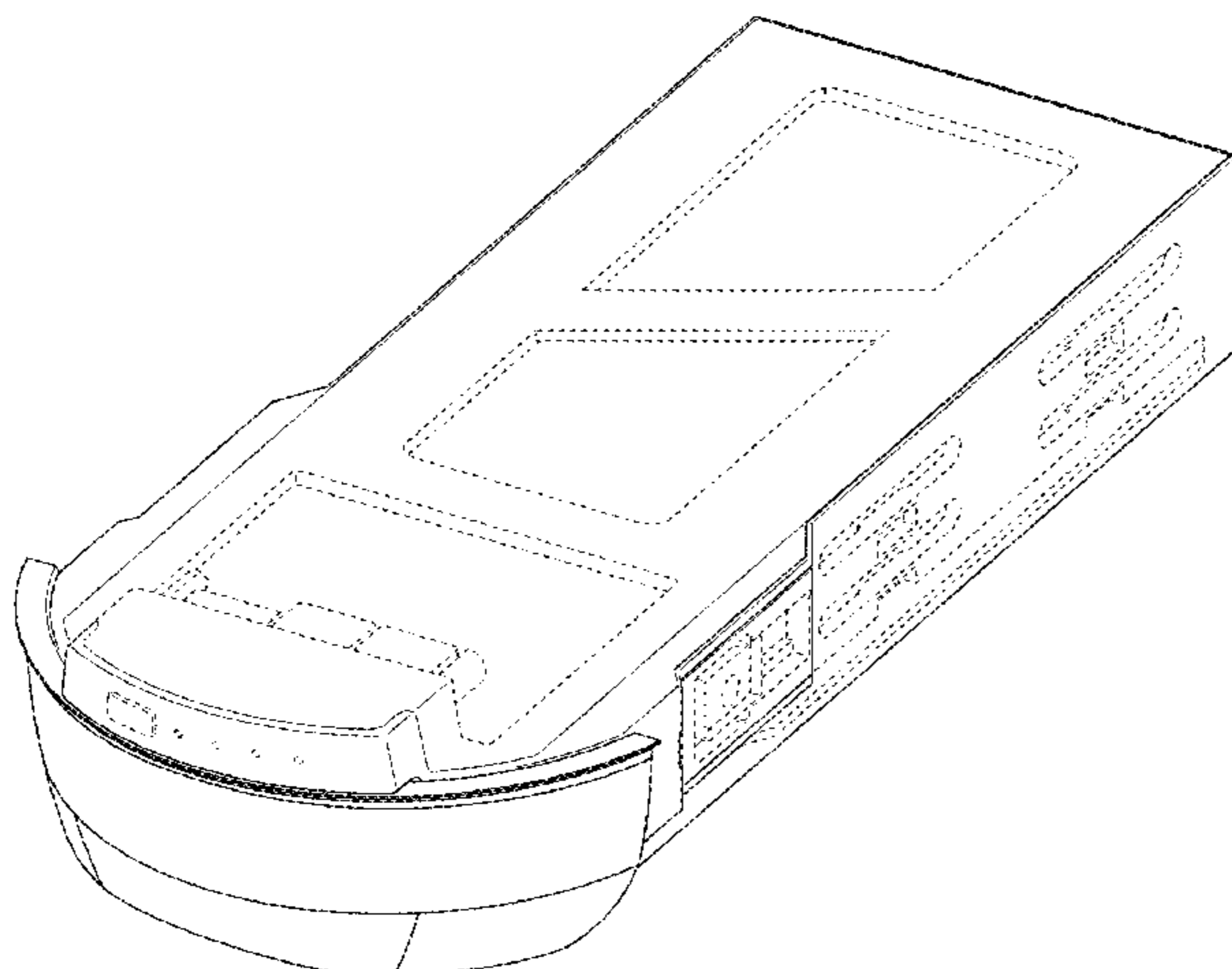
(57) **CLAIM**

The ornamental design for a battery, as shown and described.

**DESCRIPTION**

FIG. 1 is a perspective view of a battery showing my new design;  
FIG. 2 is another perspective view thereof;  
FIG. 3 is a front view thereof;  
FIG. 4 is a rear view thereof;  
FIG. 5 is a right side view thereof;  
FIG. 6 is a left side view thereof;  
FIG. 7 is a top view thereof; and,  
FIG. 8 is a bottom view thereof.  
The broken lines illustrate portions of the battery which form no part of the claimed design.

**1 Claim, 6 Drawing Sheets**



(56)

**References Cited**

U.S. PATENT DOCUMENTS

D759,585 S	6/2016	Herbst et al.	
D776,610 S *	1/2017	Nommensen .....	D13/103
D776,612 S *	1/2017	Chen .....	D13/103
D777,125 S *	1/2017	Eder .....	D13/184

\* cited by examiner

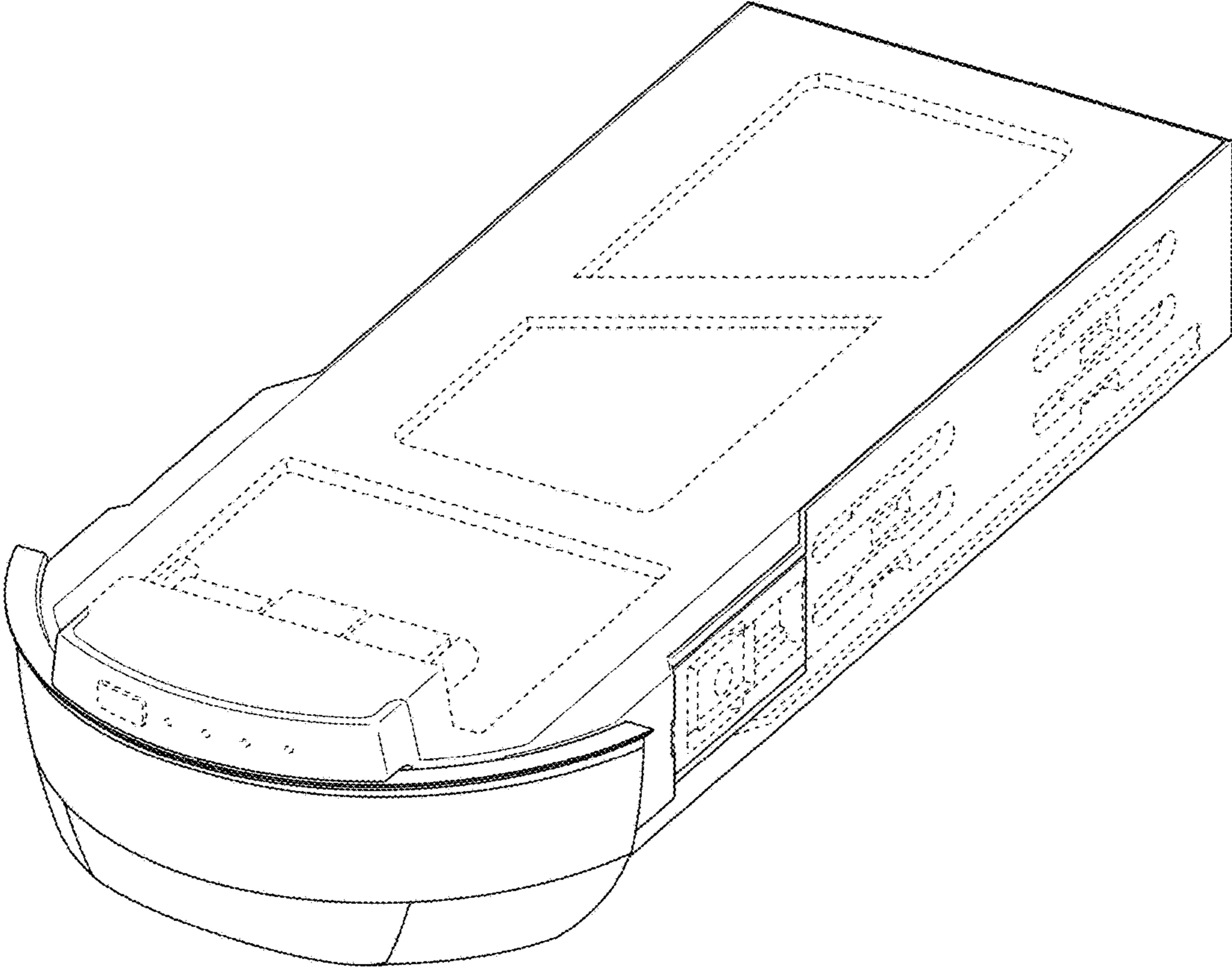


Fig. 1

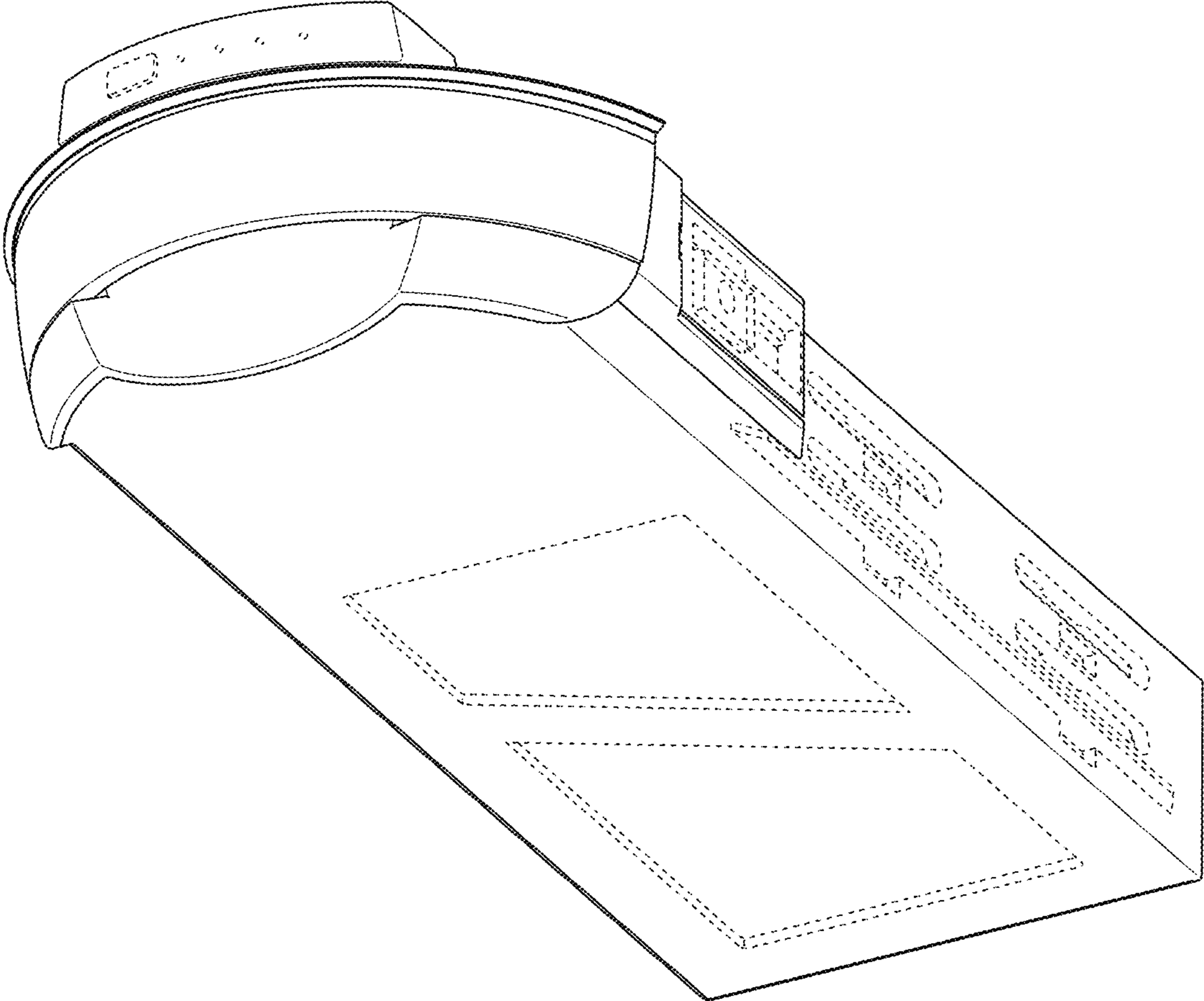
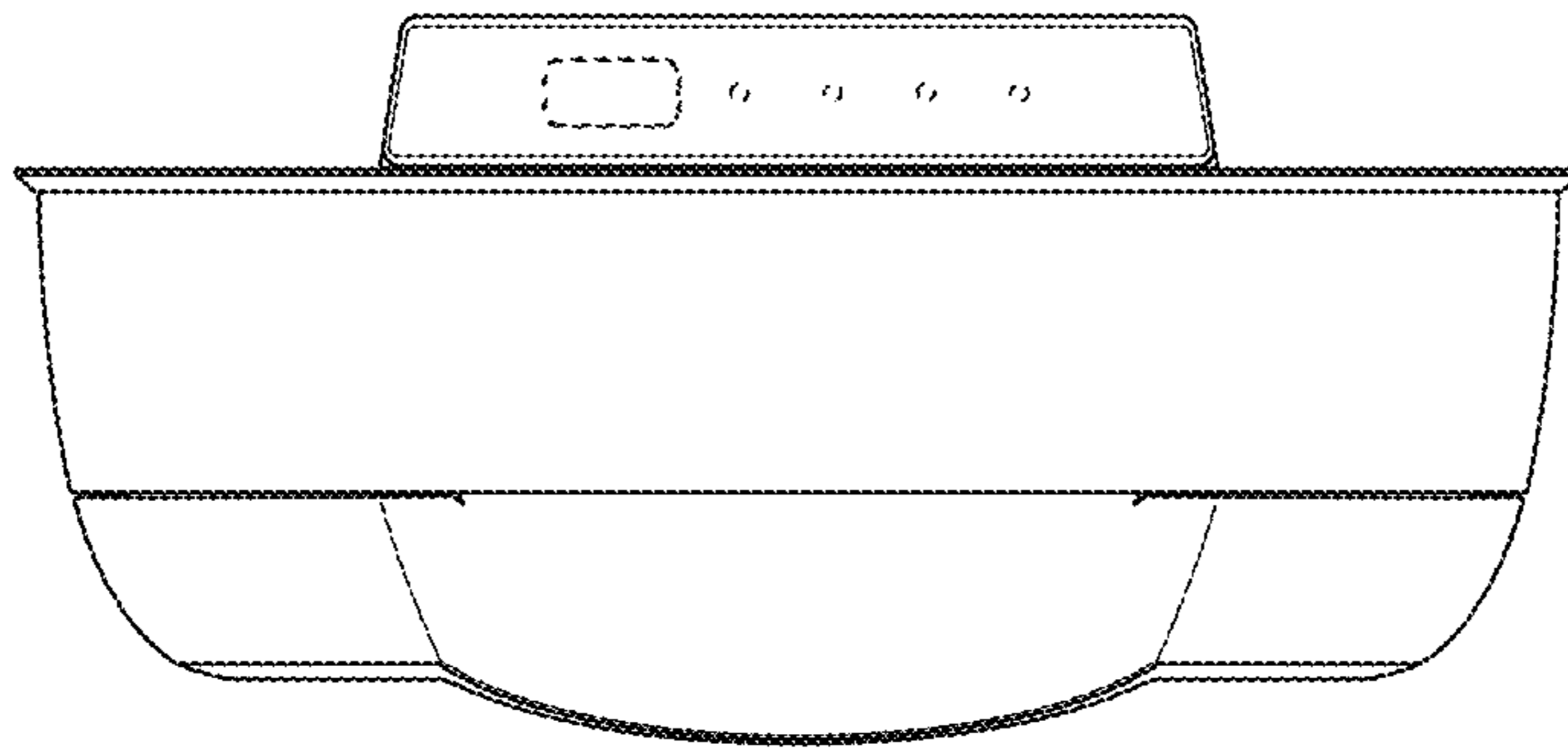
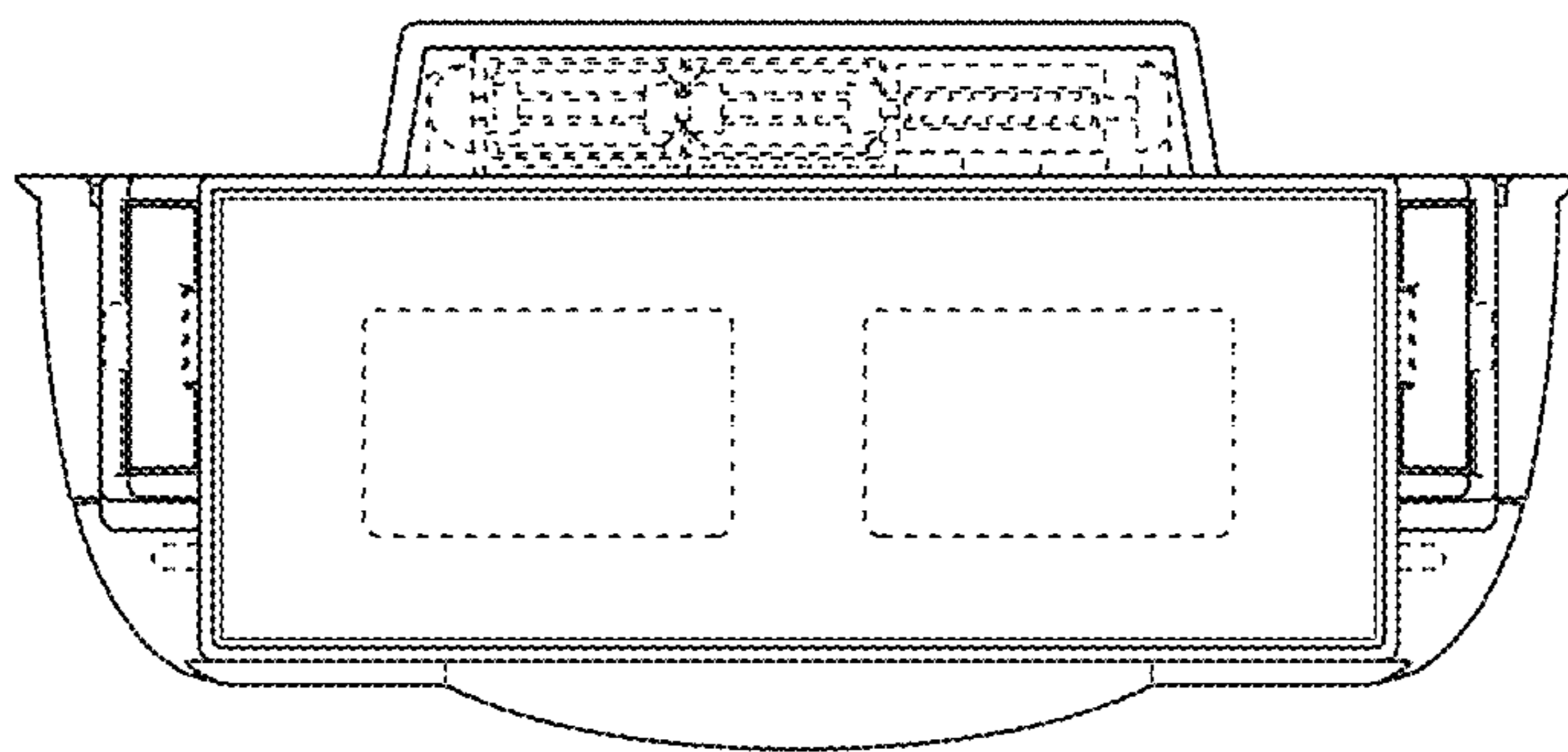


Fig. 2



*Fig. 3*



*Fig. 4*



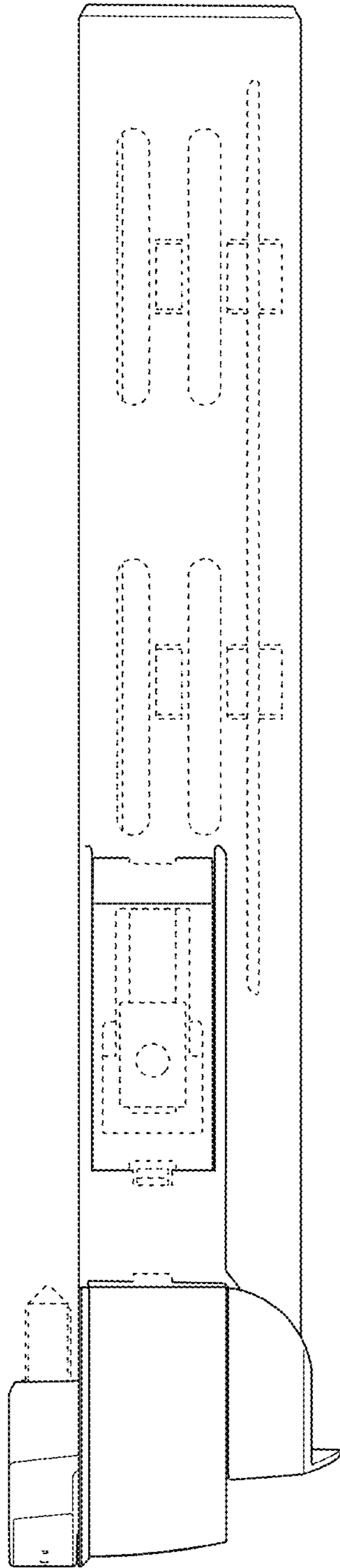


Fig. 5

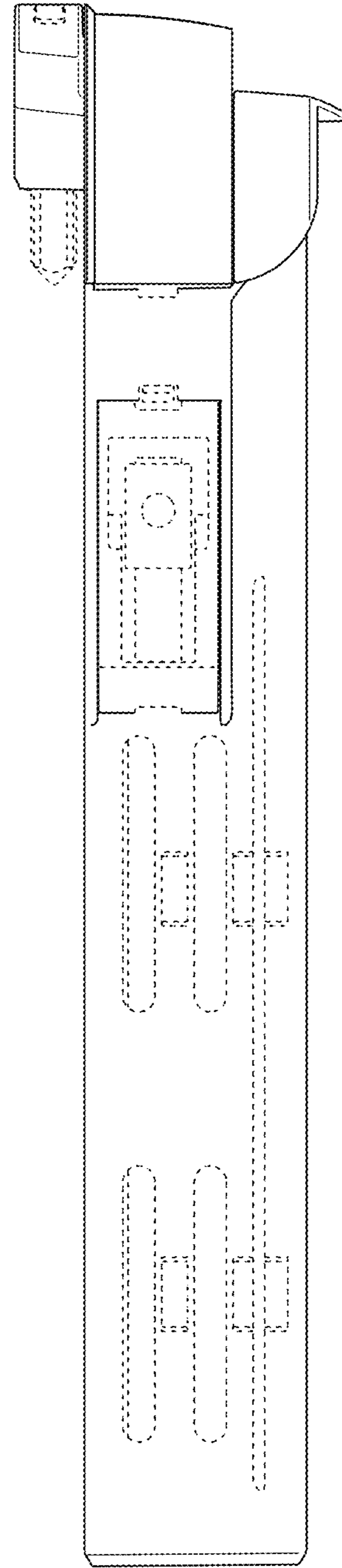
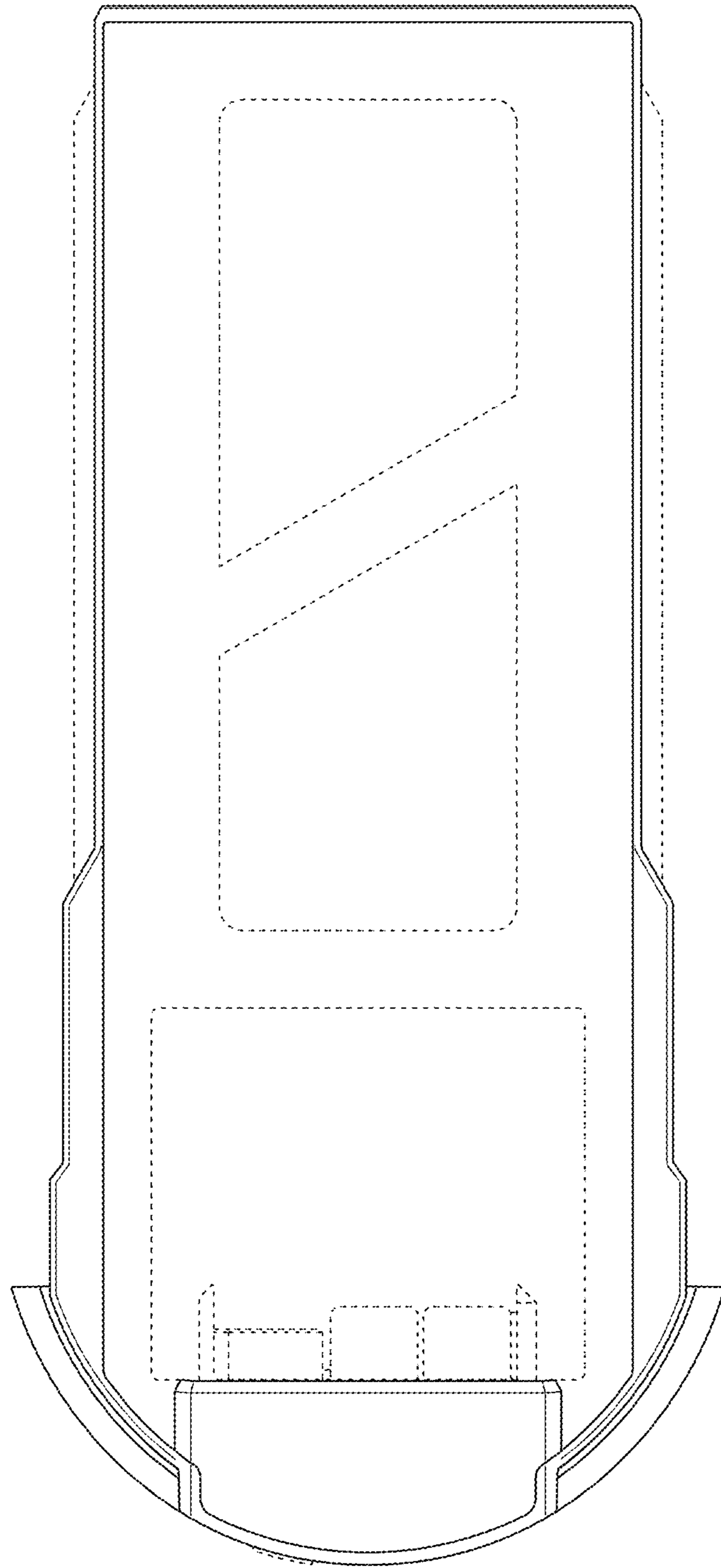
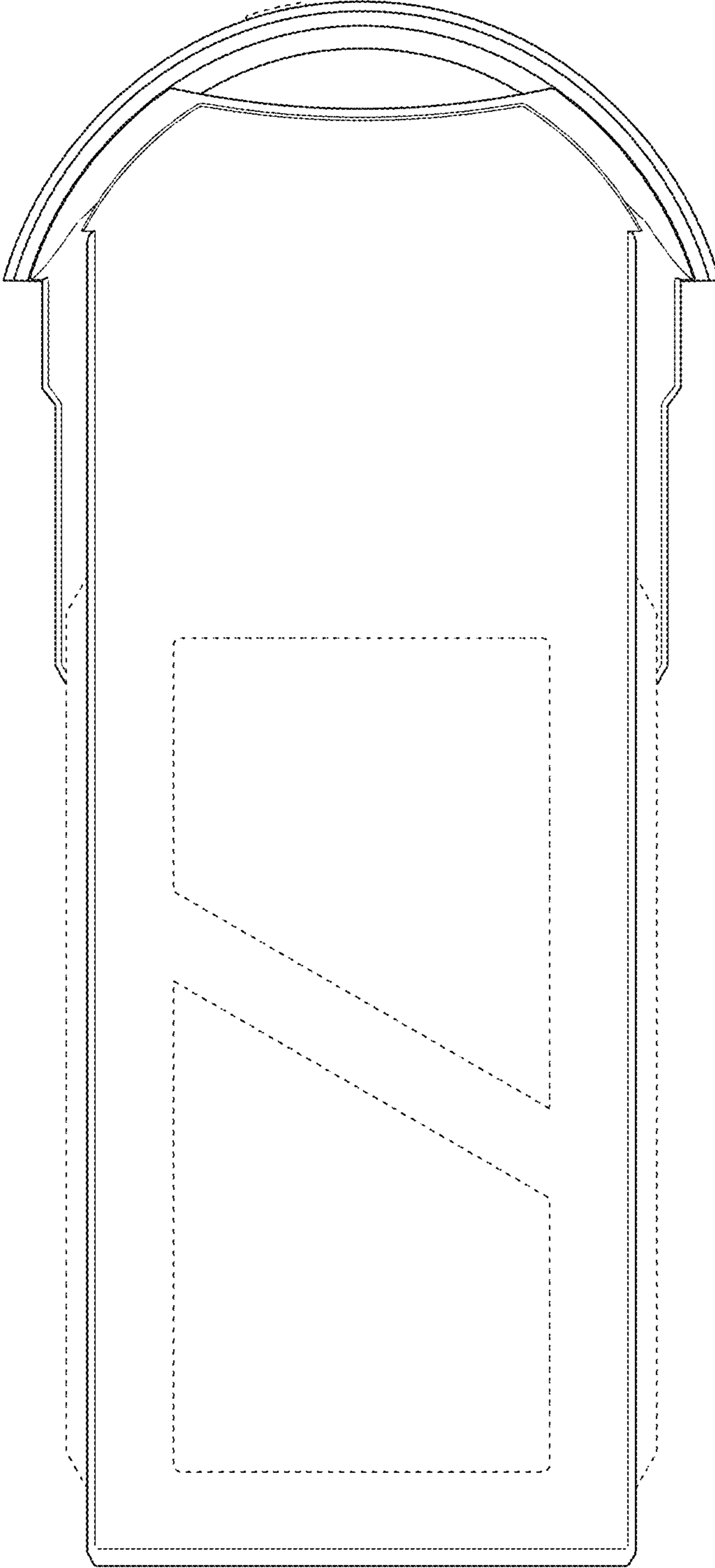


Fig. 6



**Fig. 7**



*Fig. 8*