



US00D790453S

(12) **United States Design Patent**
Tinius

(10) **Patent No.:** **US D790,453 S**

(45) **Date of Patent:** **** Jun. 27, 2017**

(54) **BATTERY PACK**

(71) Applicant: **Andreas Stihl AG & Co. KG**,
Waiblingen (DE)

(72) Inventor: **Michael Tinius**, Ulm (DE)

(73) Assignee: **Andreas Stihl AG & Co., KG**,
Waiblingen (DE)

(**) Term: **15 Years**

(21) Appl. No.: **29/548,399**

(22) Filed: **Dec. 14, 2015**

(30) **Foreign Application Priority Data**

Aug. 6, 2015 (EM) 002750372-0002

(51) **LOC (10) Cl.** **13-02**

(52) **U.S. Cl.**
USPC **D13/103**

(58) **Field of Classification Search**

USPC D13/102-106, 110, 118-119, 184, 199,
D13/107-109; 429/170, 176, 163,
429/96-100; D14/372, 356, 432
CPC Y02E 60/12; Y02E 60/122; Y02E 60/124;
Y02E 60/50; H02J 2007/0062; H02J
7/00; H02J 7/0003; H02J 7/0011; H02J
7/0013; H02J 7/0054; H02J 7/0055; H02J
7/0057; H01M 2200/30; H01M 2250/30;
H01M 2250/40; H01M 10/44; H01M
10/46; H01M 10/465; H01M 10/482;
H01M 10/4257; H01M 10/0436; H01M
10/48; H01M 2/20; H01M 2/202; H01M
2/206; H01M 2/02; H01M 2/022; H01M
2/0202; H01M 2/0207; H01M 2/0212;
H01M 2/1061; H01M 2/1022; H01M
2/1055; H01M 2/1066; H01M 2/105;
H01M 2/204

See application file for complete search history.

(56) **References Cited**

U.S. PATENT DOCUMENTS

3,973,179 A 8/1976 Weber et al.
D289,576 S 4/1987 Okada et al.
D301,228 S 5/1989 Culbertson et al.
D320,379 S 10/1991 Culbertson
D323,642 S 2/1992 Liao
D334,560 S 4/1993 Wilson
5,220,269 A 6/1993 Chen et al.
D346,584 S 5/1994 Taniguchi
D354,729 S 1/1995 Poon
D365,974 S 1/1996 Matuschek
5,510,205 A 4/1996 Ozer

(Continued)

Primary Examiner — Rosemary K Tarcza

Assistant Examiner — Christy Nemeth

(74) *Attorney, Agent, or Firm* — McGuireWoods LLP

(57) **CLAIM**

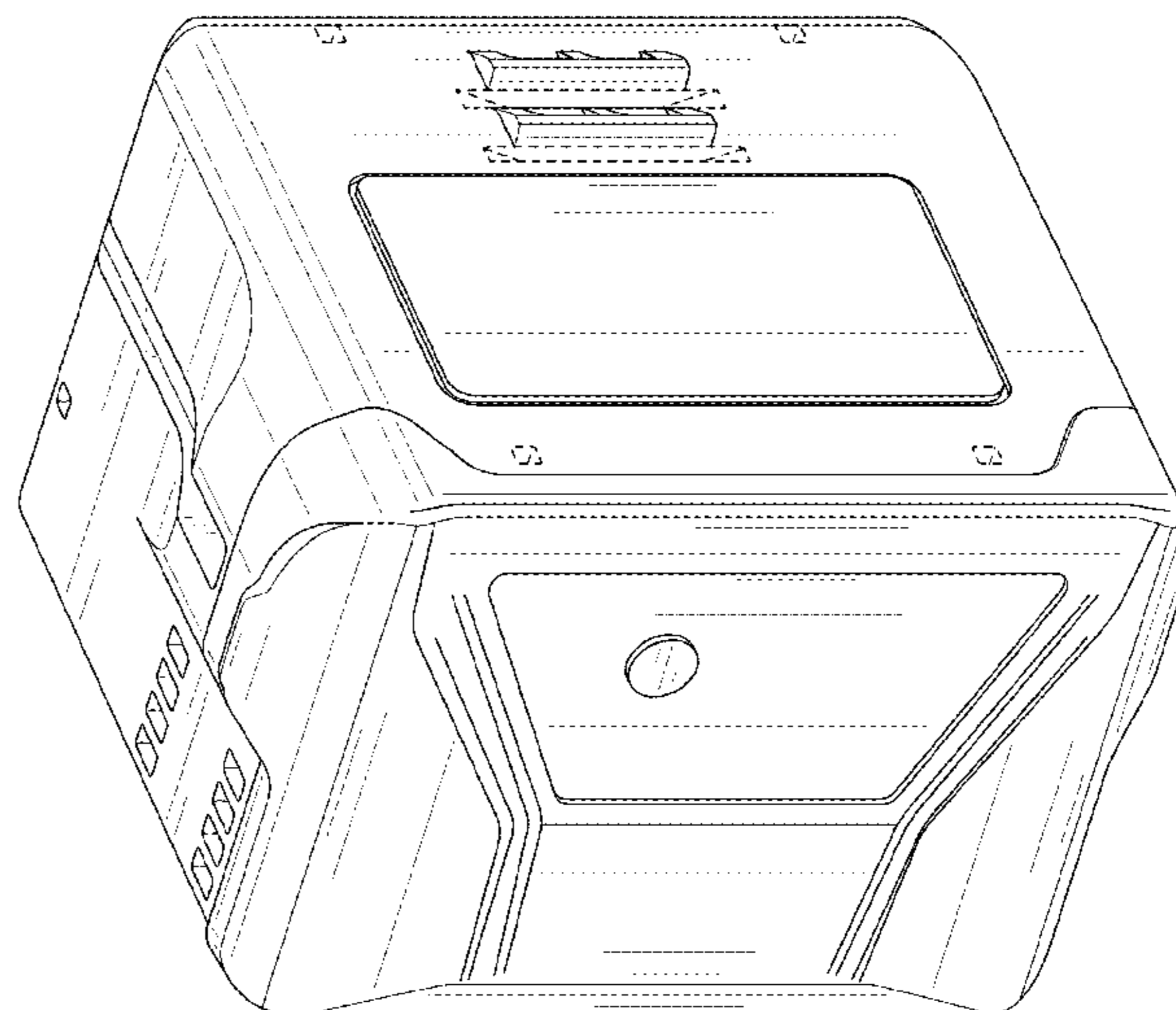
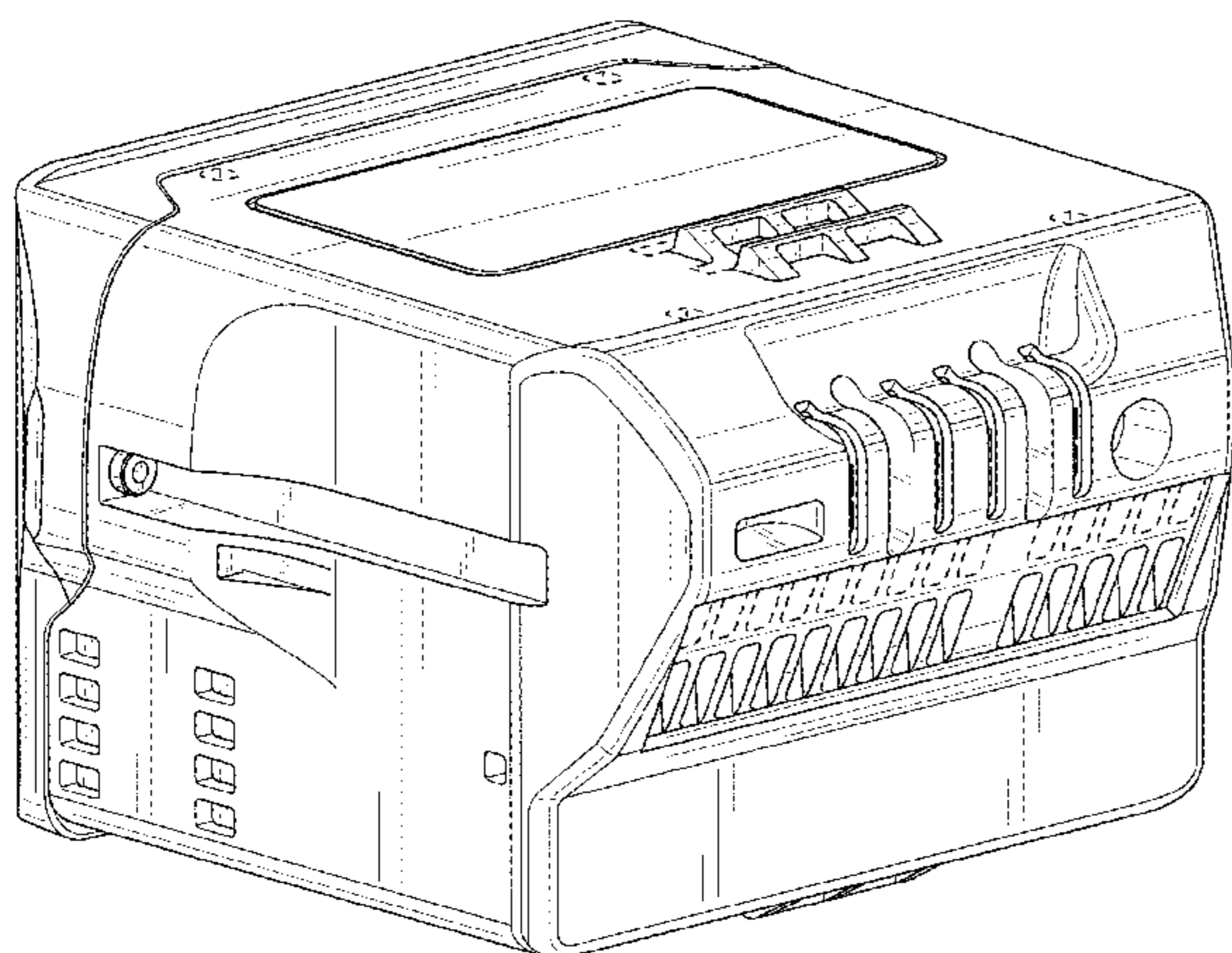
I claim the ornamental design for a battery pack, as shown and described.

DESCRIPTION

FIG. 1 is a front perspective view of the battery pack;
FIG. 2 is a rear perspective view of the battery pack shown in FIG. 1;
FIG. 3 is a rear view of the battery pack shown in FIG. 1;
FIG. 4 is a front view of the battery pack shown in FIG. 1;
FIG. 5 is a left side view of the battery pack shown in FIG. 1;
FIG. 6 is a right side view of the battery pack shown in FIG. 1;
FIG. 7 is a top view of the battery pack shown in FIG. 1; and,
FIG. 8 is a bottom view of the battery pack shown in FIG. 1.

The broken lines in the drawings illustrate portions of the battery pack that form no part of the claimed design.

1 Claim, 8 Drawing Sheets



(56)

References Cited

U.S. PATENT DOCUMENTS

D382,778 S 8/1997 Meisner et al.
 5,689,171 A * 11/1997 Ludewig H02J 7/0042
 320/110
 D387,328 S 12/1997 Ueda
 D409,468 S 5/1999 Uchida et al.
 D414,388 S 9/1999 Wright
 D417,429 S 12/1999 Brezovar et al.
 D435,827 S 1/2001 Rausch et al.
 D436,917 S * 1/2001 Hayakawa D13/103
 D437,580 S 2/2001 Marshall et al.
 D444,125 S 6/2001 Shy
 6,521,370 B1 2/2003 Takeshita et al.
 D475,679 S * 6/2003 Cooper D13/103
 D482,582 S 11/2003 Chunn et al.
 D504,396 S 4/2005 Hussaini et al.
 D514,532 S 2/2006 Paoli
 D522,451 S 6/2006 Hayes et al.
 D524,728 S * 7/2006 Watson D13/103
 D529,671 S 10/2006 Yung
 D530,464 S 10/2006 Tai
 D537,408 S * 2/2007 Aglassinger D13/103
 D545,759 S * 7/2007 Ino D13/103
 D556,680 S * 12/2007 Matsumoto D13/103
 D564,312 S 3/2008 Palermo et al.
 D565,812 S 4/2008 Fjellman
 D569,058 S 5/2008 Crawley
 D579,870 S 11/2008 Dunbar et al.
 D580,351 S * 11/2008 Elsmark D13/103
 D582,735 S 12/2008 Bochmann et al.
 RE40,681 E 3/2009 Pitzen et al.
 D589,439 S * 3/2009 Van Wambeke D13/103
 D589,440 S * 3/2009 Van Wambeke D13/103
 D589,441 S * 3/2009 Van Wambeke D13/103
 D591,130 S 4/2009 Palermo et al.
 D594,403 S * 6/2009 Yang D13/103
 D597,931 S * 8/2009 Aglassinger D13/103
 D597,933 S * 8/2009 Aglassinger D13/103
 D597,934 S * 8/2009 Aglassinger D13/103
 D597,935 S * 8/2009 Aglassinger D13/103
 D598,373 S * 8/2009 Aglassinger D13/103
 D601,088 S * 9/2009 Scheucher D13/103
 D604,694 S * 11/2009 Aglassinger D13/103

D604,695 S * 11/2009 Aglassinger D13/103
 D614,125 S 4/2010 Tinius
 D624,371 S 9/2010 Tinius
 D624,877 S 10/2010 Daniels et al.
 D625,972 S 10/2010 Sweeney
 D634,709 S 3/2011 Ichio
 D635,507 S 4/2011 Ueda et al.
 D640,190 S * 6/2011 Aglassinger D13/103
 D650,643 S 12/2011 Aoki et al.
 D654,863 S 2/2012 Whiting et al.
 D656,370 S 3/2012 Tinius
 D657,211 S 4/2012 Kosugi et al.
 D660,528 S 5/2012 Okuda et al.
 D661,557 S 6/2012 Sweeney
 D668,513 S 10/2012 Okuda et al.
 D675,074 S 1/2013 Baxter
 D675,562 S * 2/2013 Qualls D13/106
 D678,737 S 3/2013 Yamamoto et al.
 D686,985 S 7/2013 Henderson et al.
 D697,472 S 1/2014 Lai
 D702,630 S 4/2014 Tinius
 D706,218 S * 6/2014 Lampe D13/110
 D725,031 S 3/2015 Tinius
 D729,728 S * 5/2015 Inskeep D13/107
 D737,765 S * 9/2015 Sekine D13/110
 D745,847 S * 12/2015 Ho D13/110
 D758,960 S * 6/2016 Johansson D13/103
 D765,592 S * 9/2016 Friend D13/103
 2012/0045671 A1 * 2/2012 Miller H01M 2/105
 429/82
 2013/0136965 A1 * 5/2013 Nakano H01M 10/48
 429/92
 2013/0164587 A1 6/2013 Smith et al.
 2013/0224539 A1 * 8/2013 Hayashi H01M 2/1055
 429/82
 2014/0302369 A1 * 10/2014 Naito H01M 2/1055
 429/100
 2014/0302376 A1 * 10/2014 Naito H01M 2/1055
 429/156
 2014/0302377 A1 * 10/2014 Naito H01M 2/105
 429/156
 2016/0172722 A1 * 6/2016 Rejman H01M 10/488
 362/119

* cited by examiner

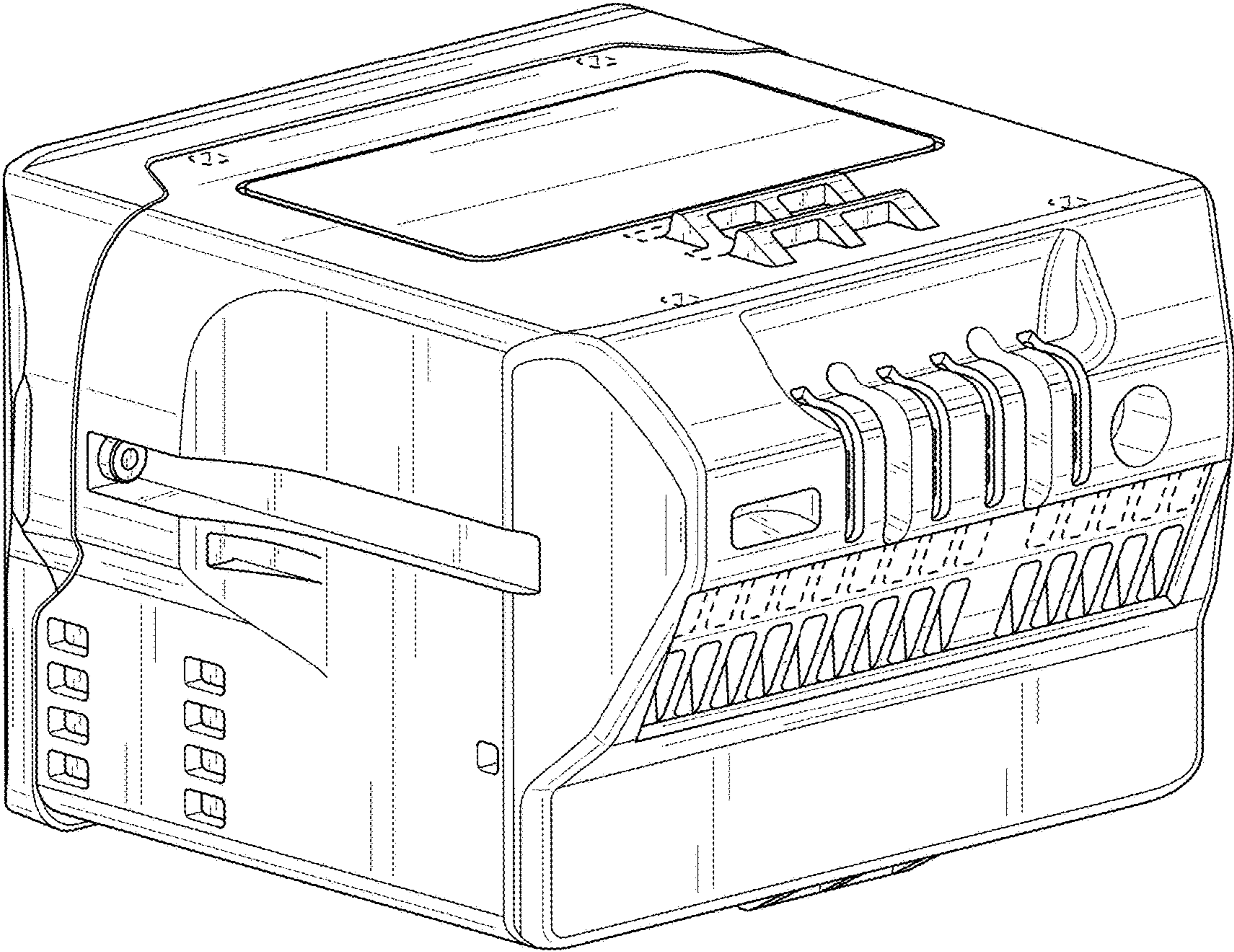


FIG. 1

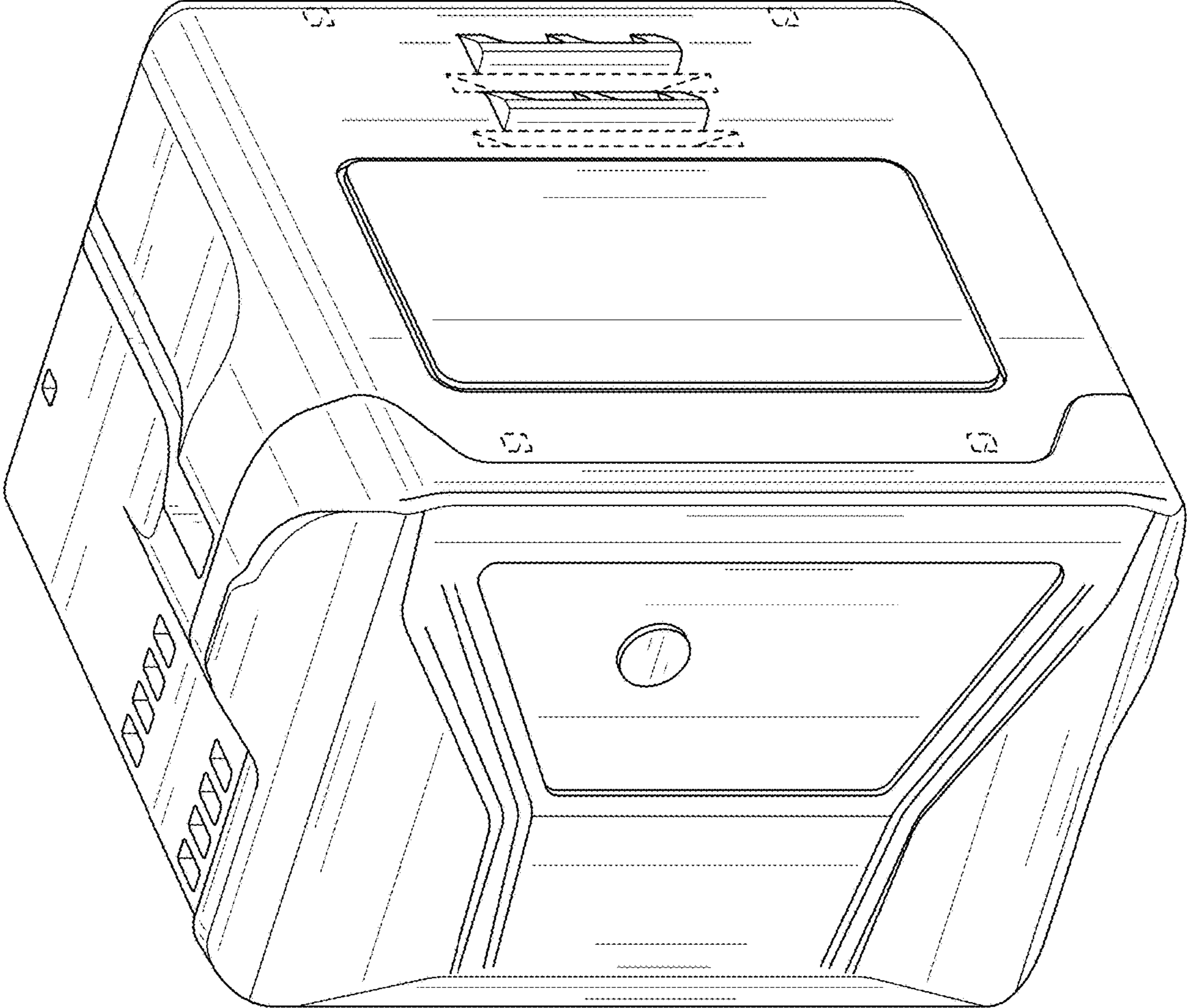


FIG. 2

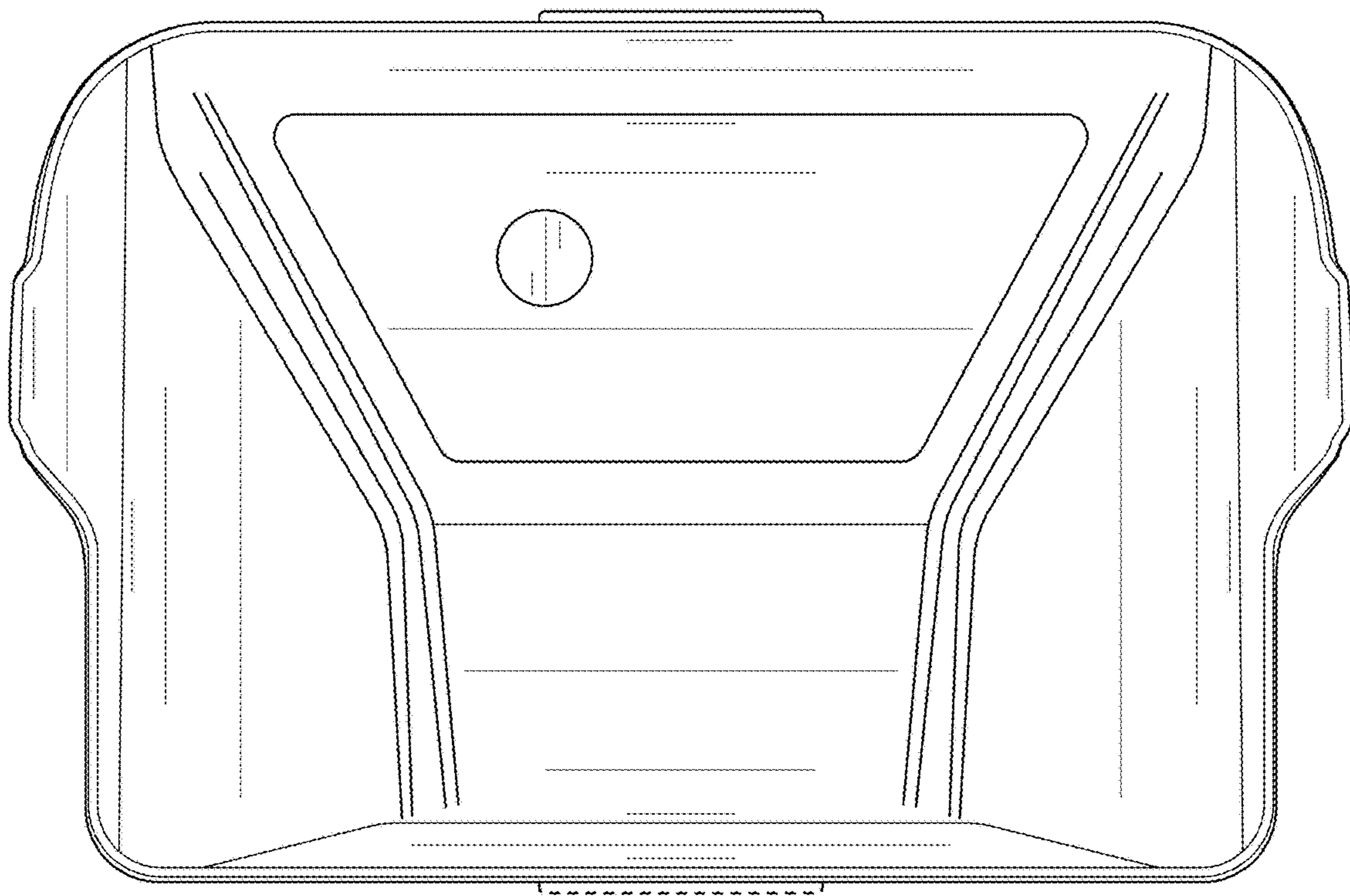


FIG. 3

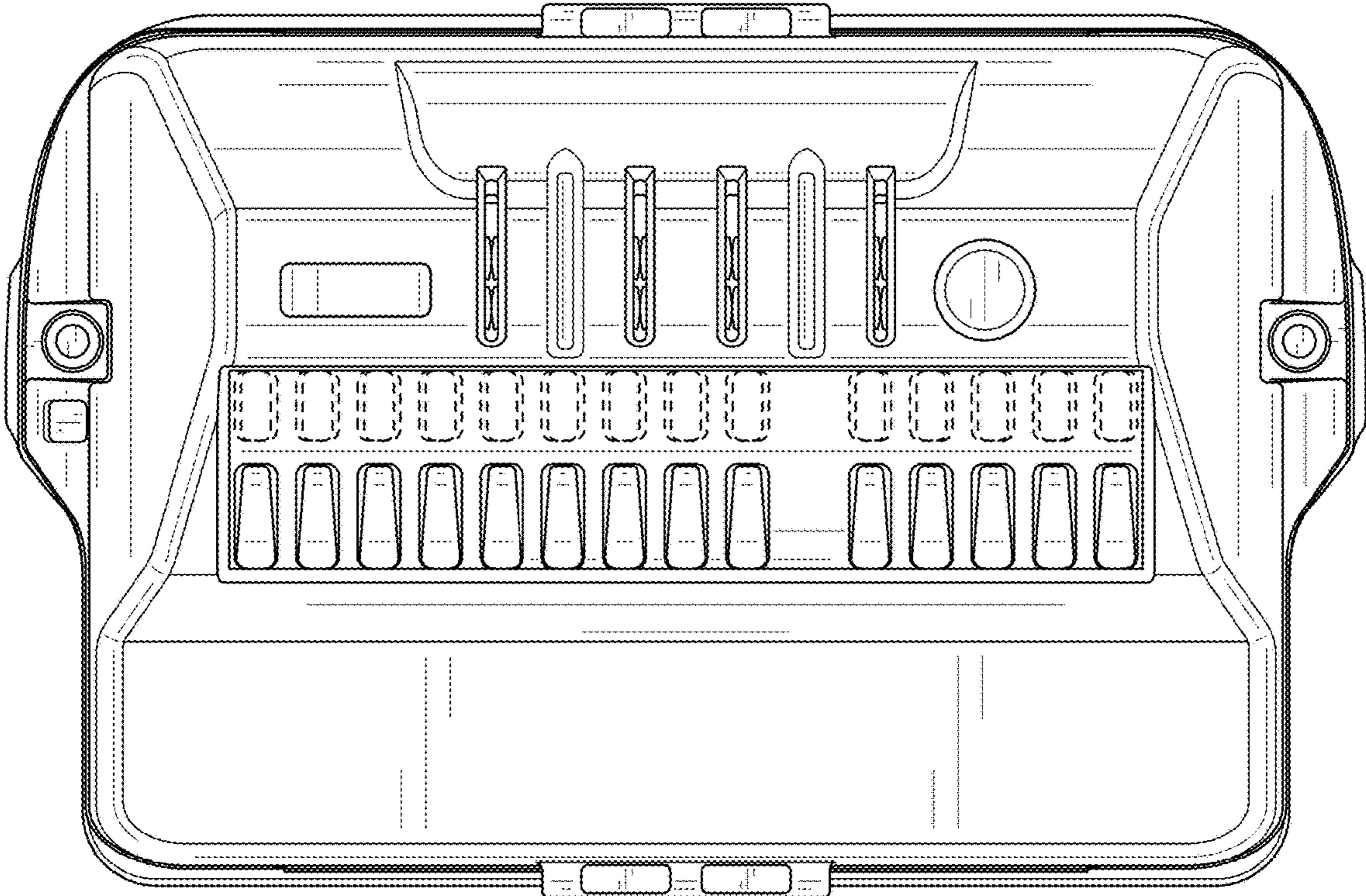


FIG. 4

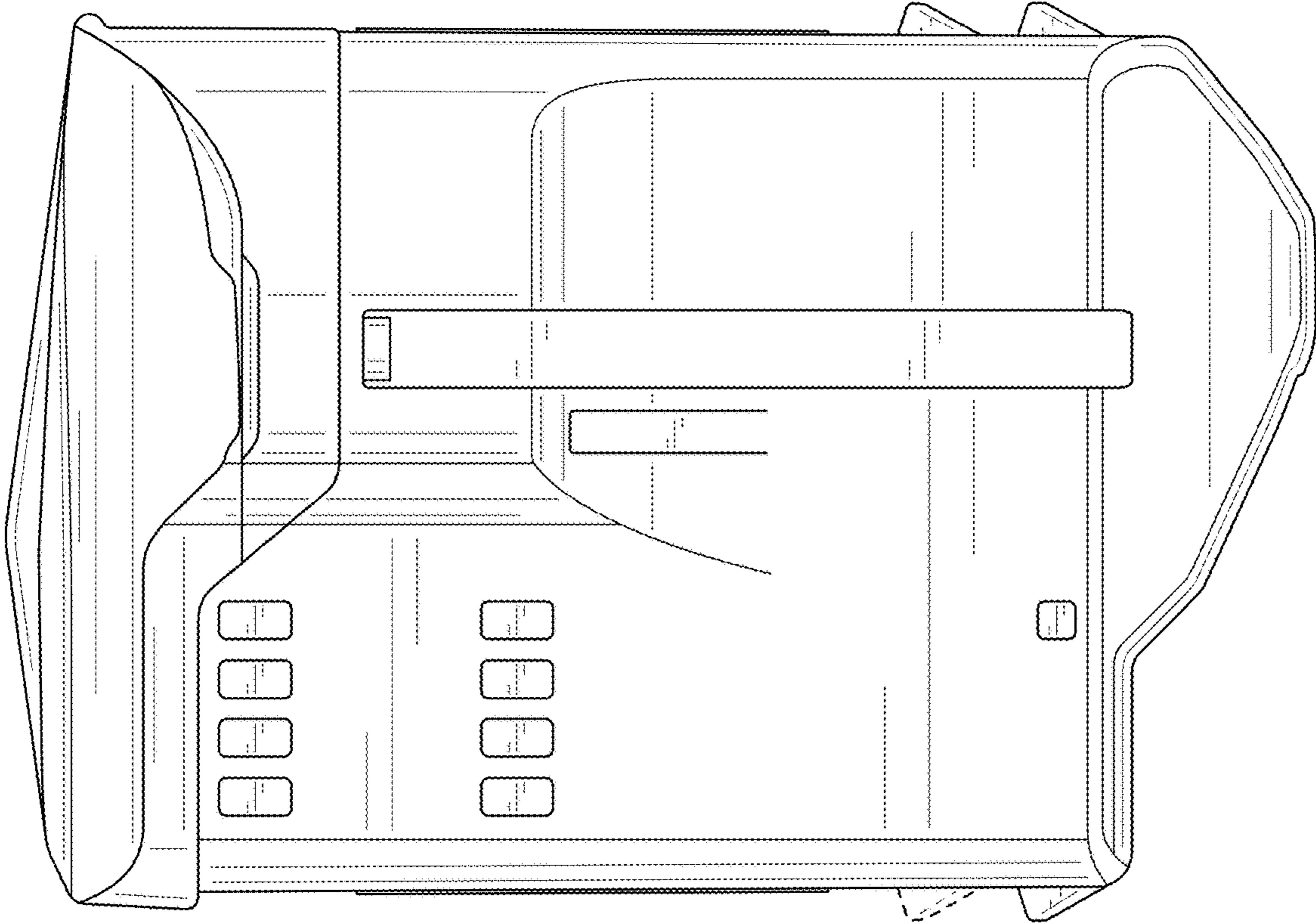


FIG. 5

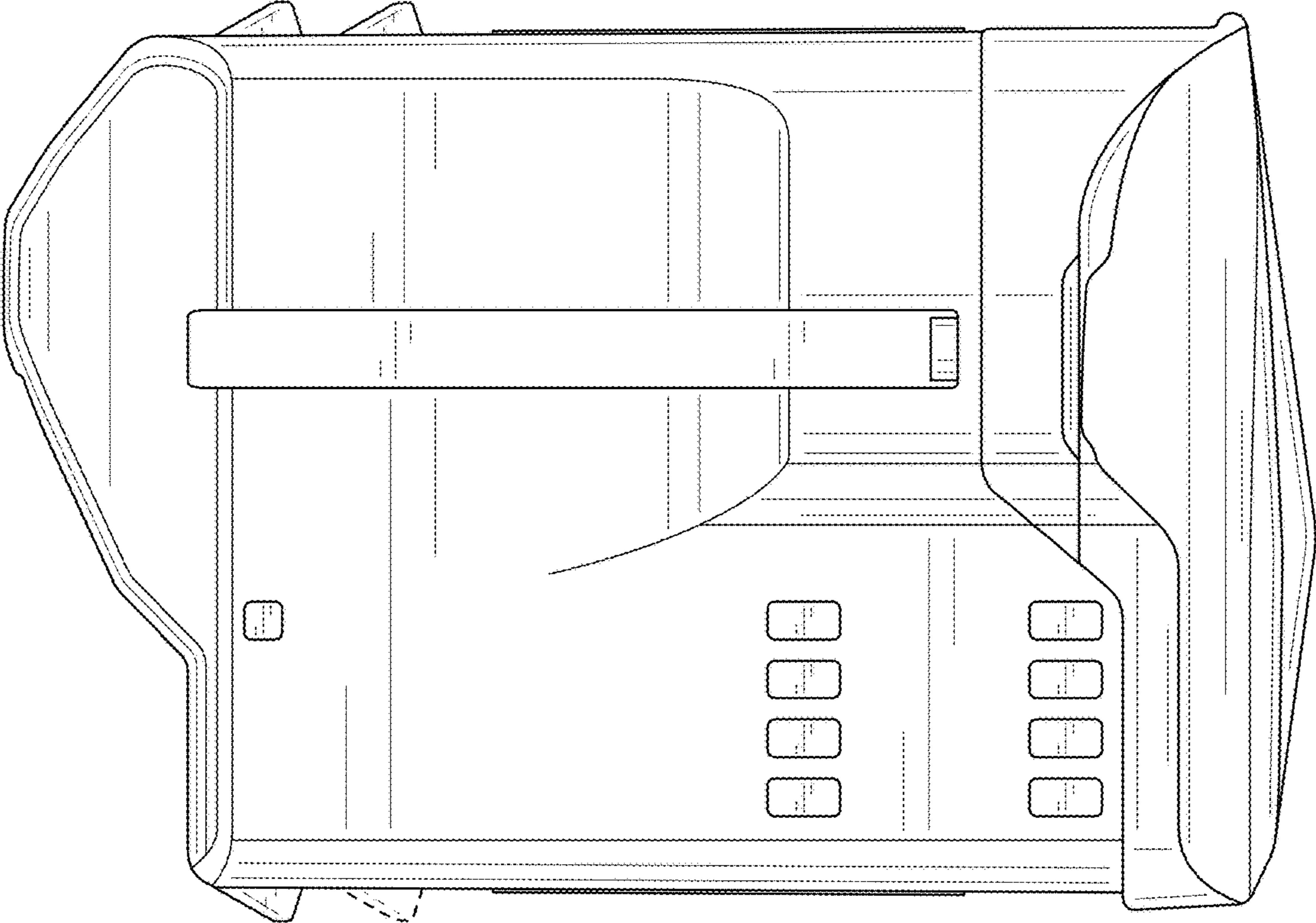


FIG. 6

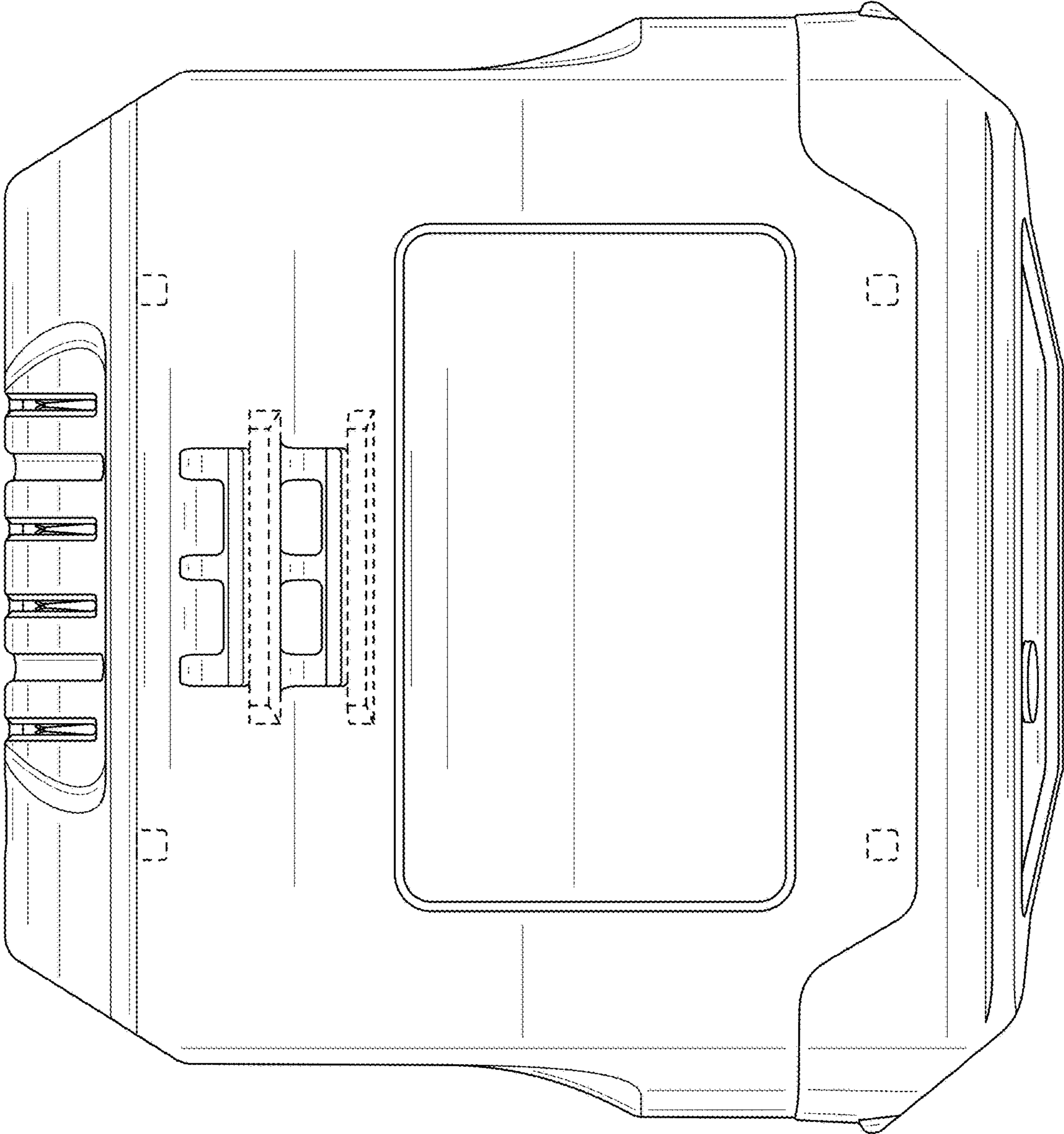


FIG. 7

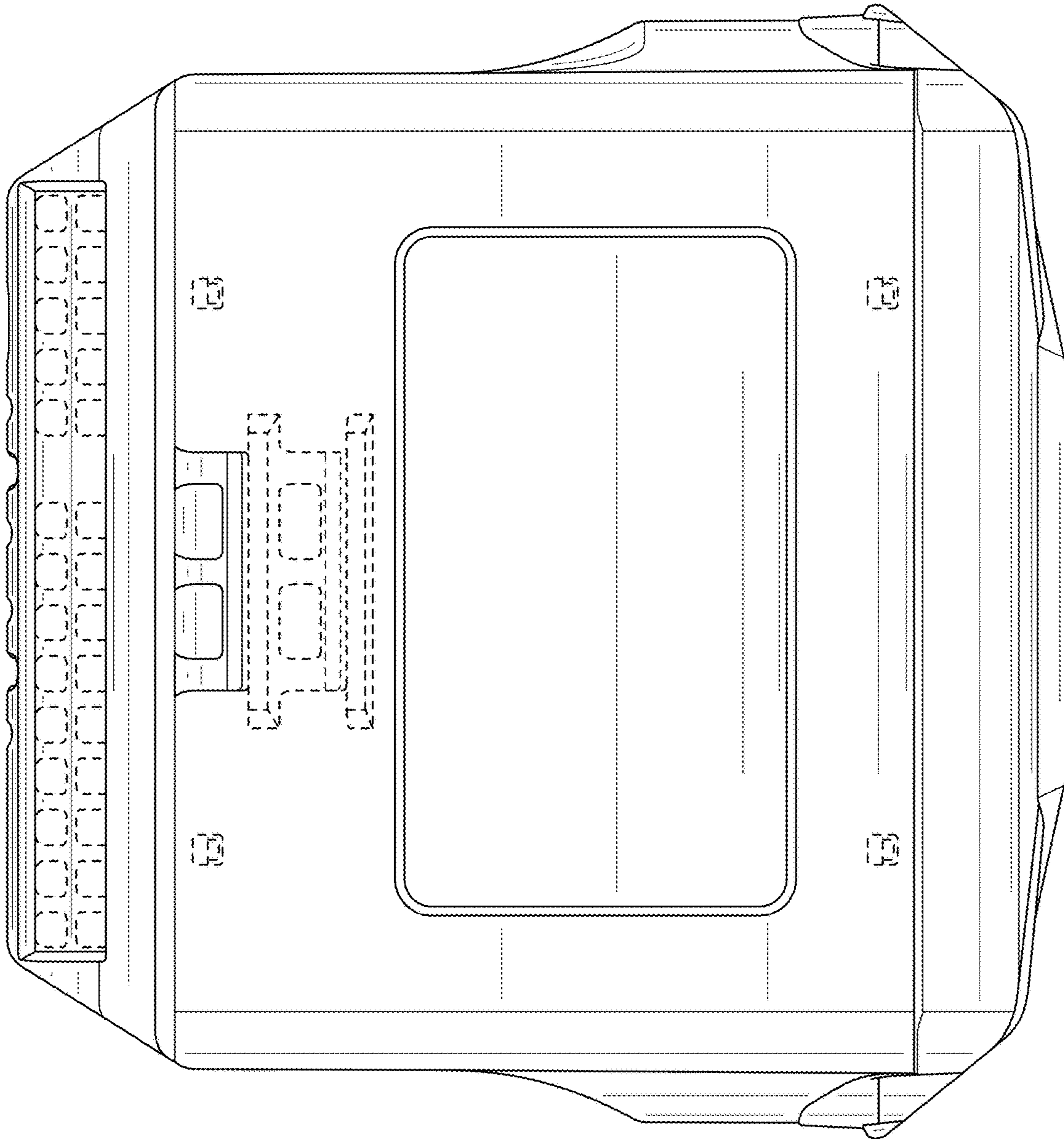


FIG. 8