

US00D790452S

(12) **United States Design Patent**
Kojima et al.

(10) **Patent No.:** **US D790,452 S**
(45) **Date of Patent:** **** Jun. 27, 2017**

- (54) **FOLDABLE SOLAR PANEL**
- (71) Applicant: **ZEON CORPORATION**, Chiyoda-ku, Tokyo (JP)
- (72) Inventors: **Kiyoshige Kojima**, Tokyo (JP); **Yuki Hayashi**, Tokyo (JP)
- (73) Assignee: **ZEON CORPORATION**, Chiyoda-ku, Tokyo (JP)

JP 177573-1 S 12/1989
JP 1511339 S 11/2014

* cited by examiner

Primary Examiner — Cynthia Ramirez
Assistant Examiner — Andrew Kerr
(74) *Attorney, Agent, or Firm* — Kenja IP Law PC

(**) Term: **15 Years**

(21) Appl. No.: **29/549,035**

(22) Filed: **Dec. 18, 2015**

(51) **LOC (10) Cl.** **13-02**

(52) **U.S. Cl.**
USPC **D13/102**

(58) **Field of Classification Search**
USPC D13/101, 102, 107, 118; 136/206, 244,
136/251, 252; 160/113; 438/72, 80
CPC H01L 31/0224; H01L 31/25; H01L 31/02167
See application file for complete search history.

(56) **References Cited**

U.S. PATENT DOCUMENTS

5,522,943 A *	6/1996	Spencer	H01L 31/042
				136/245
D625,251 S *	10/2010	Workman	D13/102
D663,261 S *	7/2012	Cheung	D13/102
D663,262 S *	7/2012	Cheung	D13/102
D755,118 S *	5/2016	Munshi	D13/102
D755,119 S *	5/2016	Munshi	D13/102
2005/0162121 A1 *	7/2005	Chan	H02J 7/355
				320/101

FOREIGN PATENT DOCUMENTS

CN 3500998 1/2006

(57) **CLAIM**

The ornamental design for a foldable solar panel, as shown and described.

DESCRIPTION

FIG. 1 is a perspective view of a first embodiment of a foldable solar panel in a folded state showing our new design;

FIG. 2 is a front view thereof;

FIG. 3 is a top view thereof;

FIG. 4 is a right side view thereof;

FIG. 5 is a left side view thereof;

FIG. 6 is a rear view thereof;

FIG. 7 is a bottom view thereof;

FIG. 8 is a perspective view of a second embodiment of the foldable solar panel in a folded state showing our new design;

FIG. 9 is a front view thereof;

FIG. 10 is a top view thereof;

FIG. 11 is a right side view thereof;

FIG. 12 is a left side view thereof;

FIG. 13 is a rear view thereof; and,

FIG. 14 is a bottom view thereof.

The broken lines in the drawings are intended to show portions of the panel that are not being claimed, and thus form no part of the claimed design. The dot-dash lines shown in the drawings define the boundary between the claimed design and the non-claimed design.

1 Claim, 14 Drawing Sheets

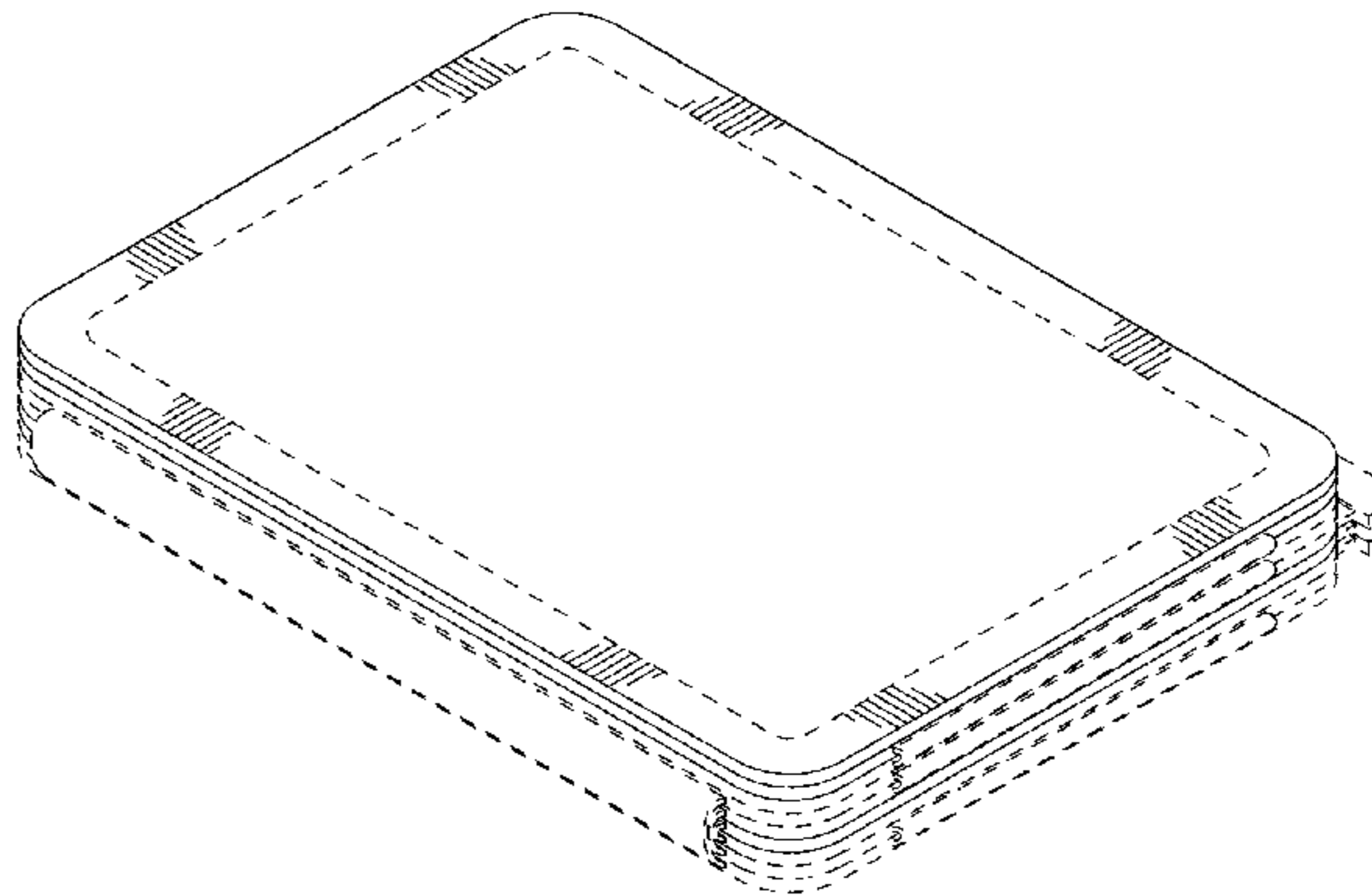
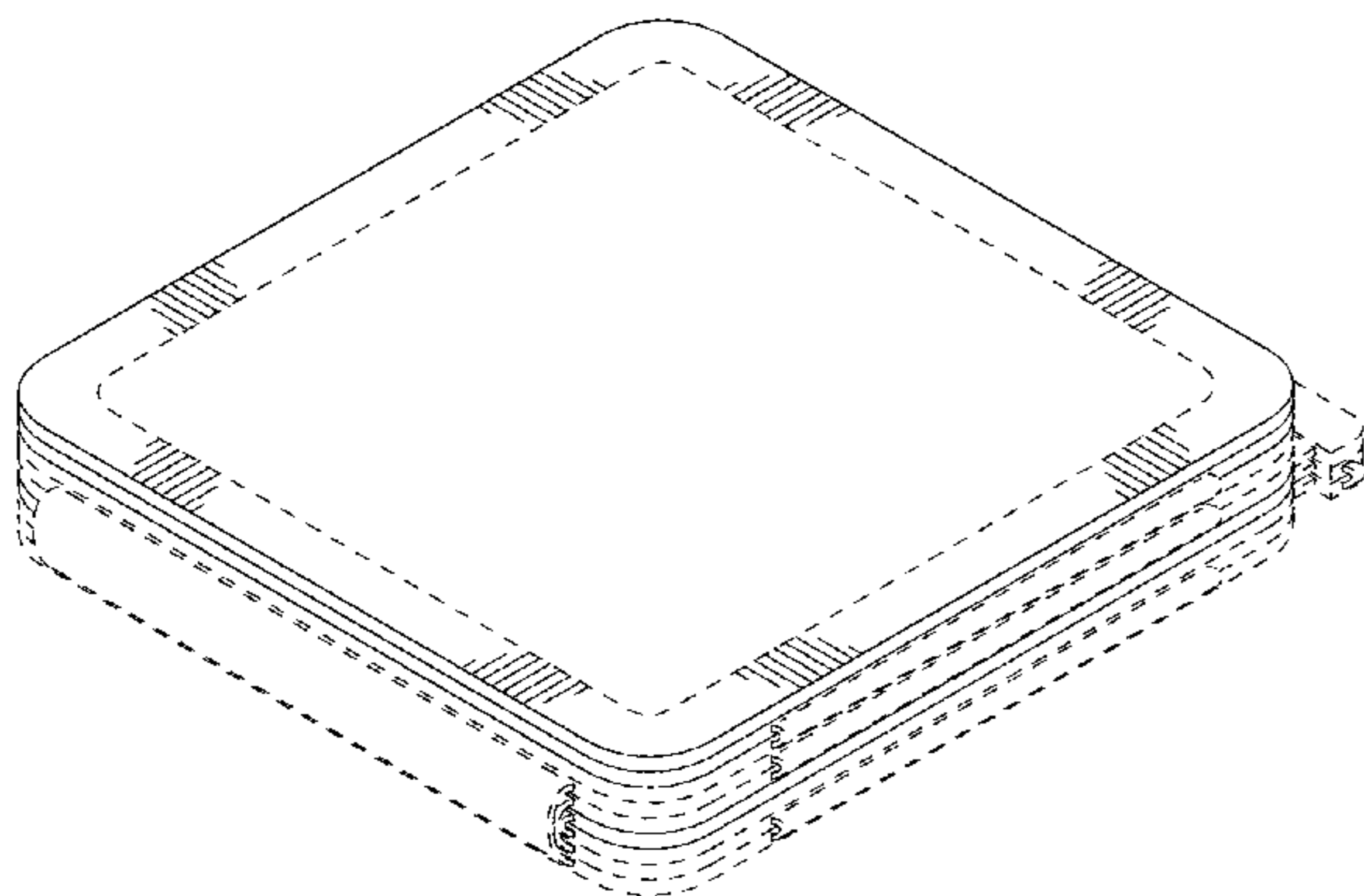


FIG. 1

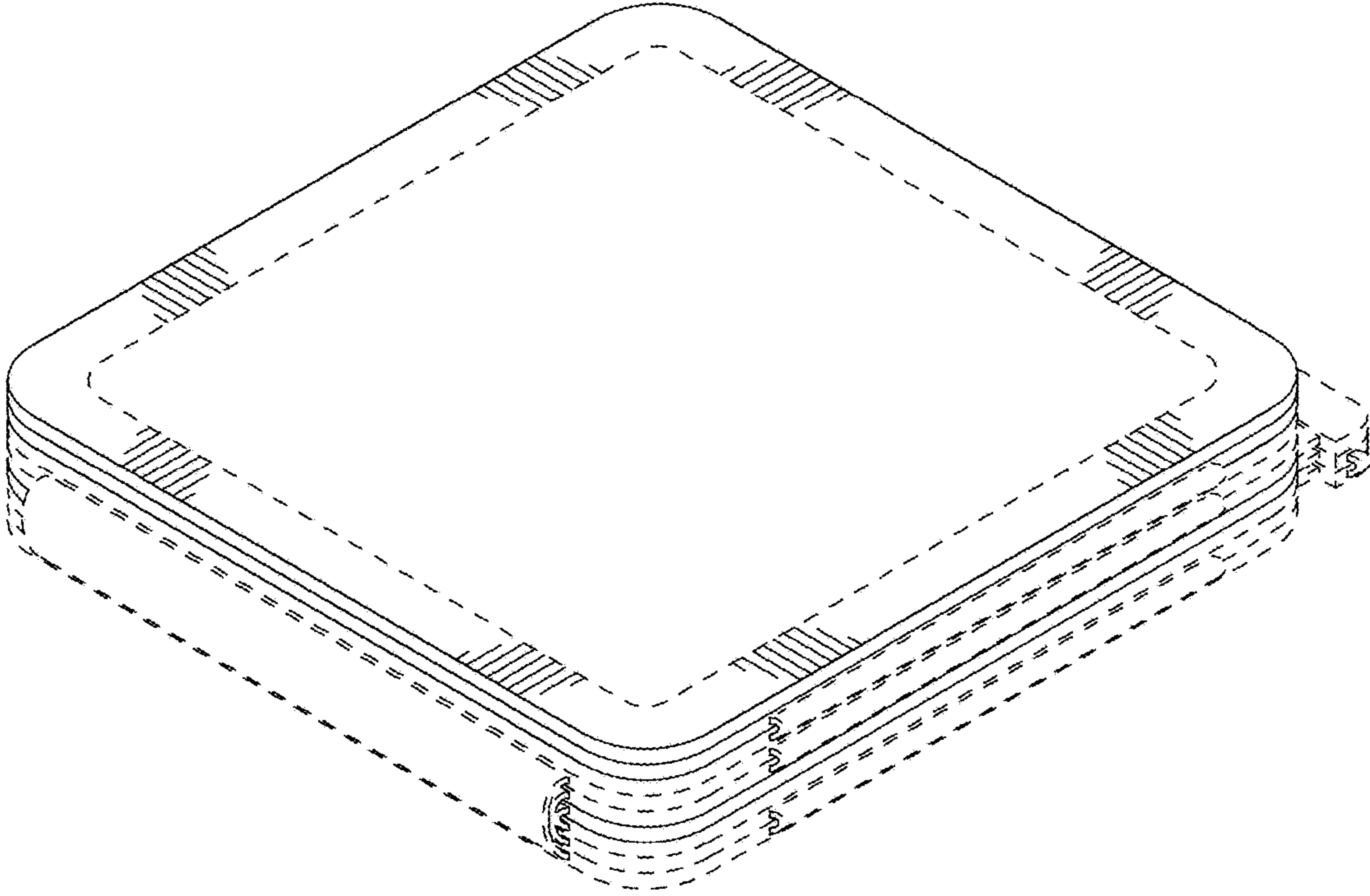


FIG. 2

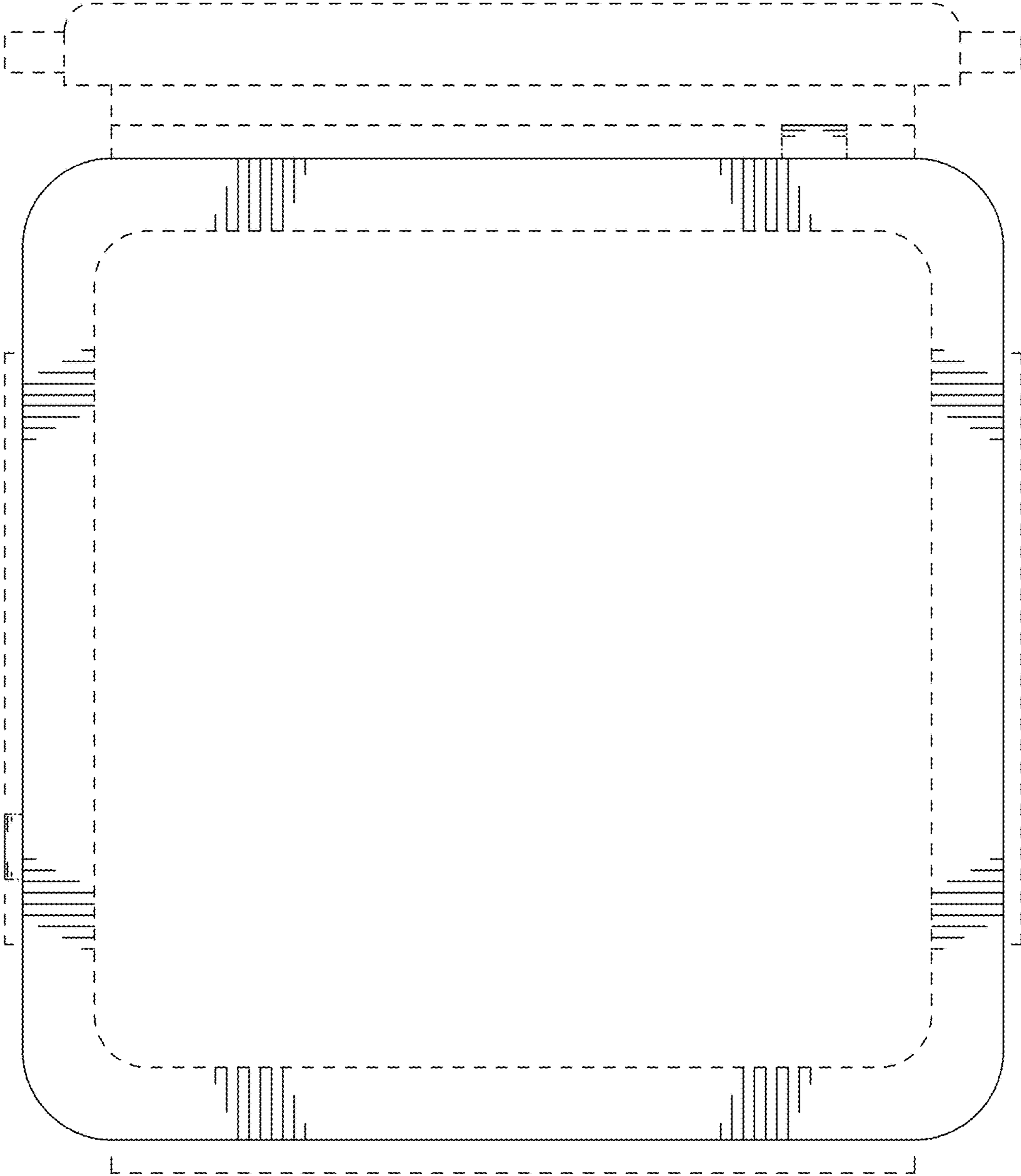


FIG. 3

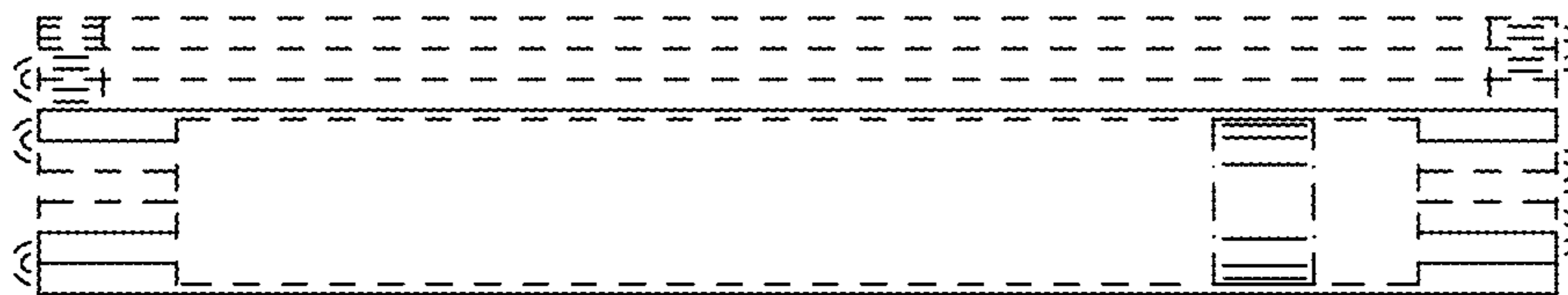


FIG. 4

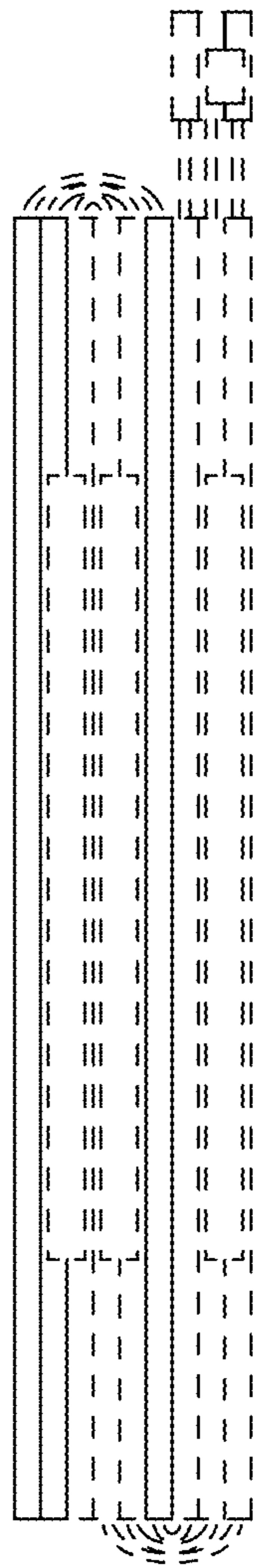


FIG. 5

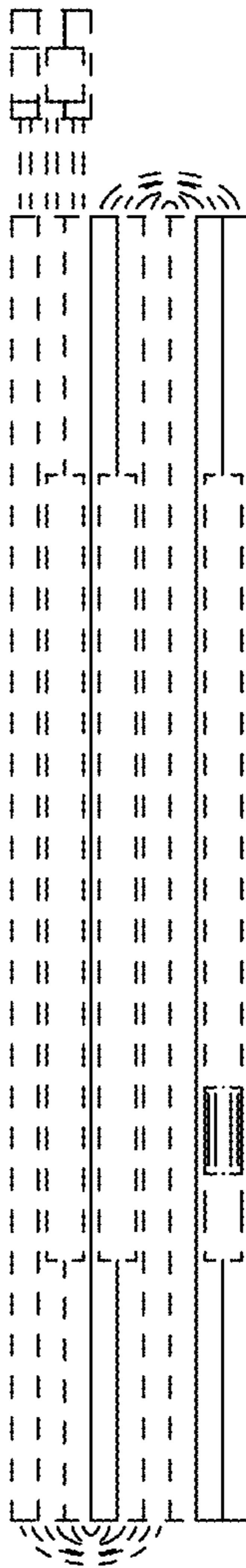


FIG. 6

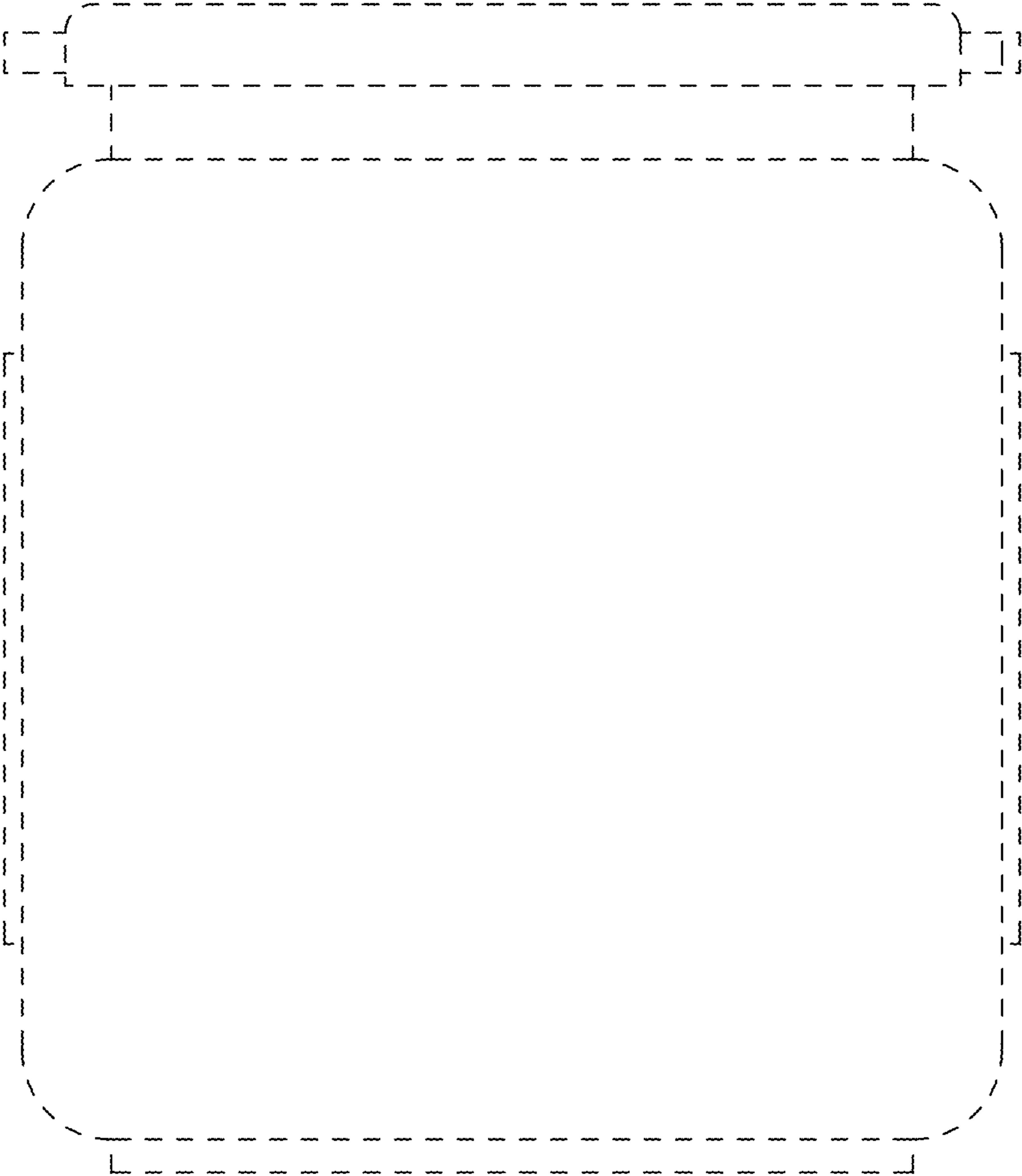


FIG. 7

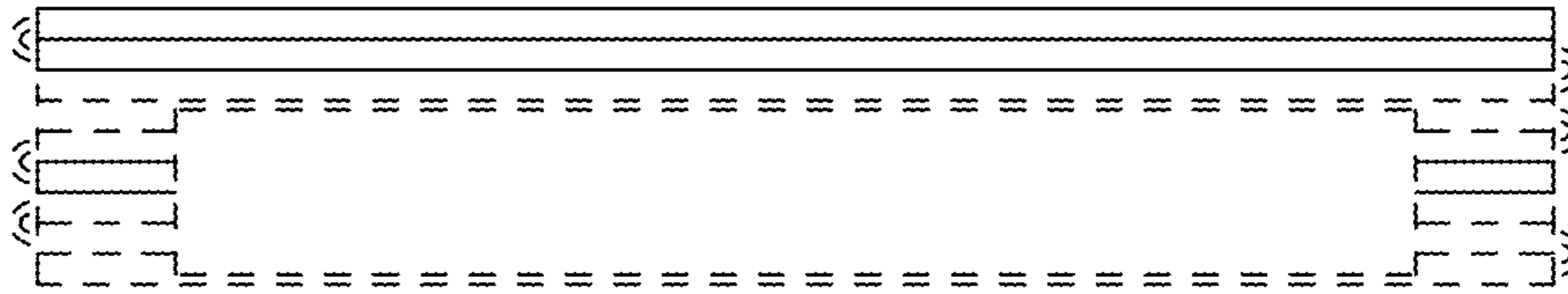


FIG. 8

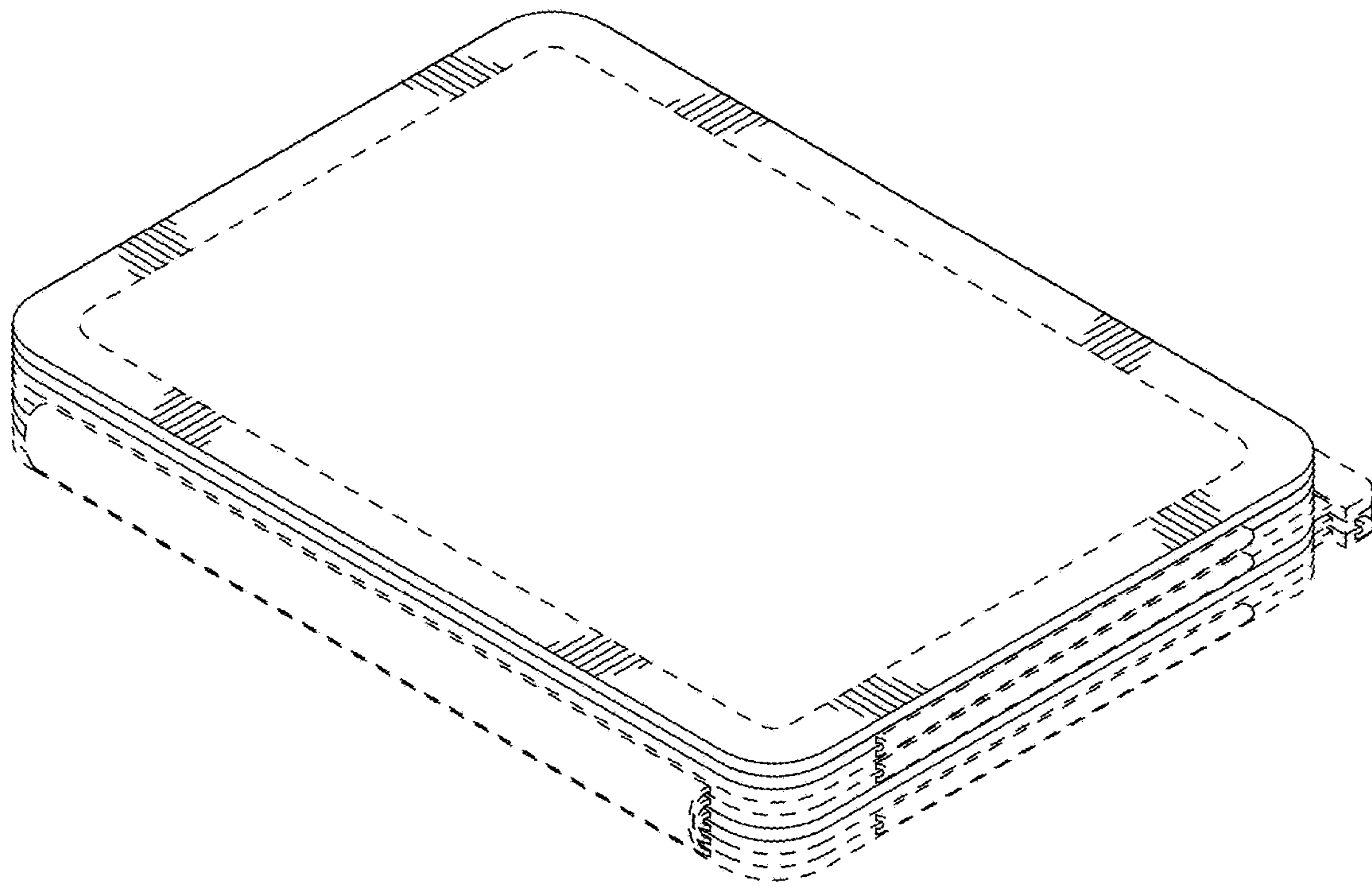


FIG. 9

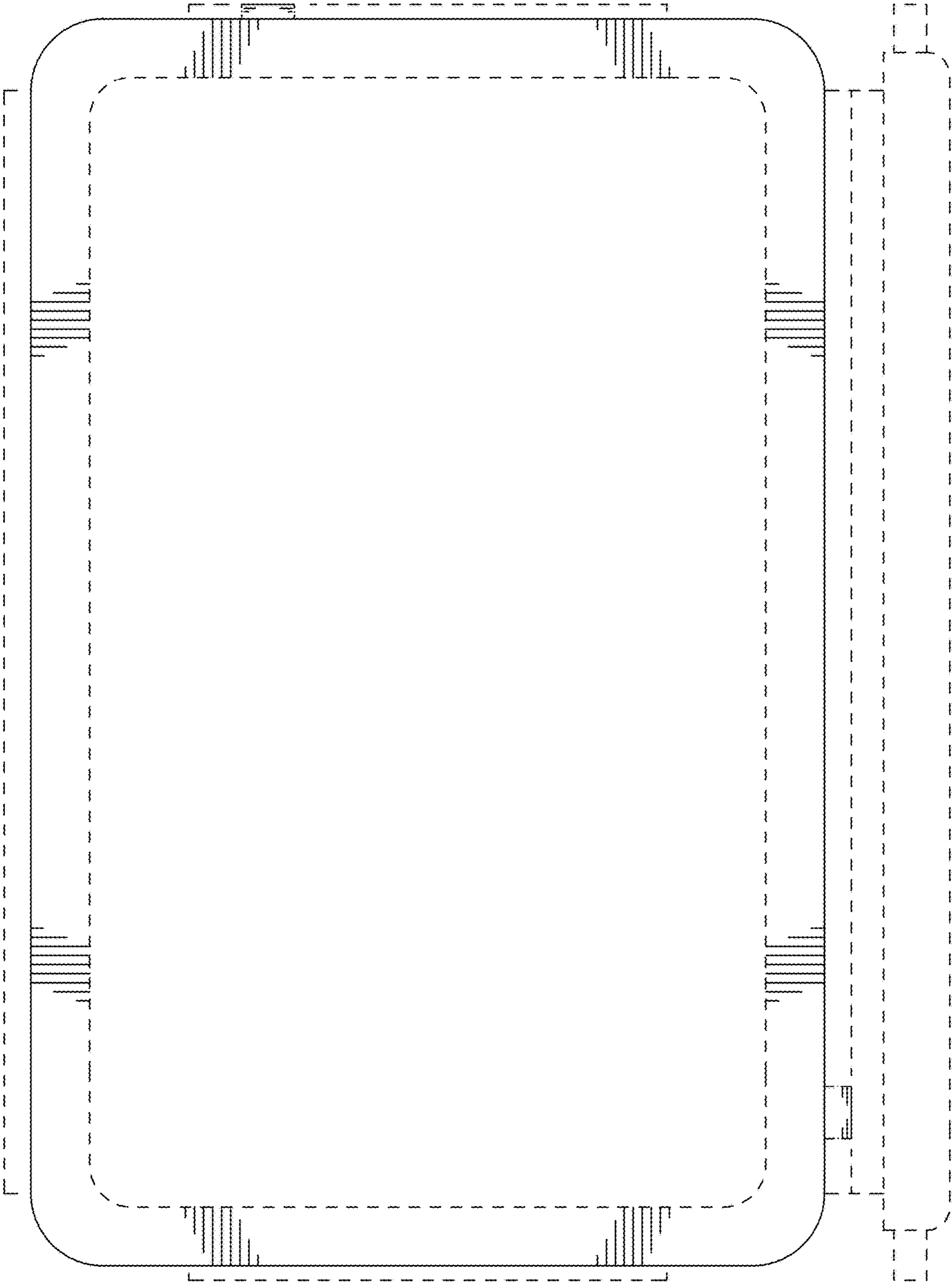


FIG. 10

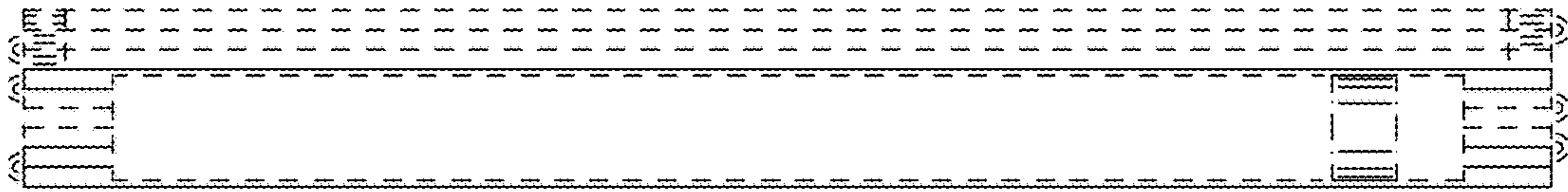


FIG. 11

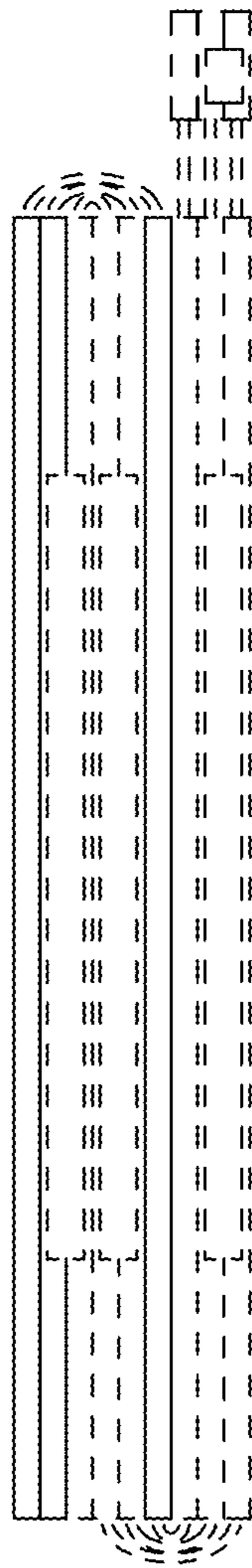


FIG. 12

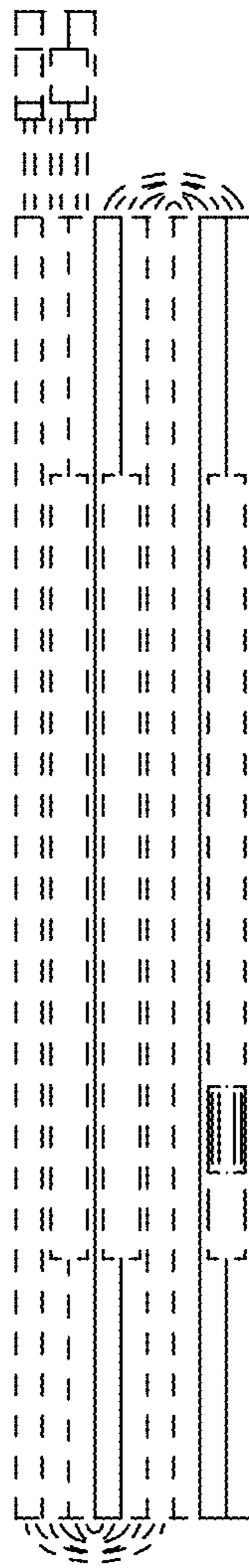


FIG. 13

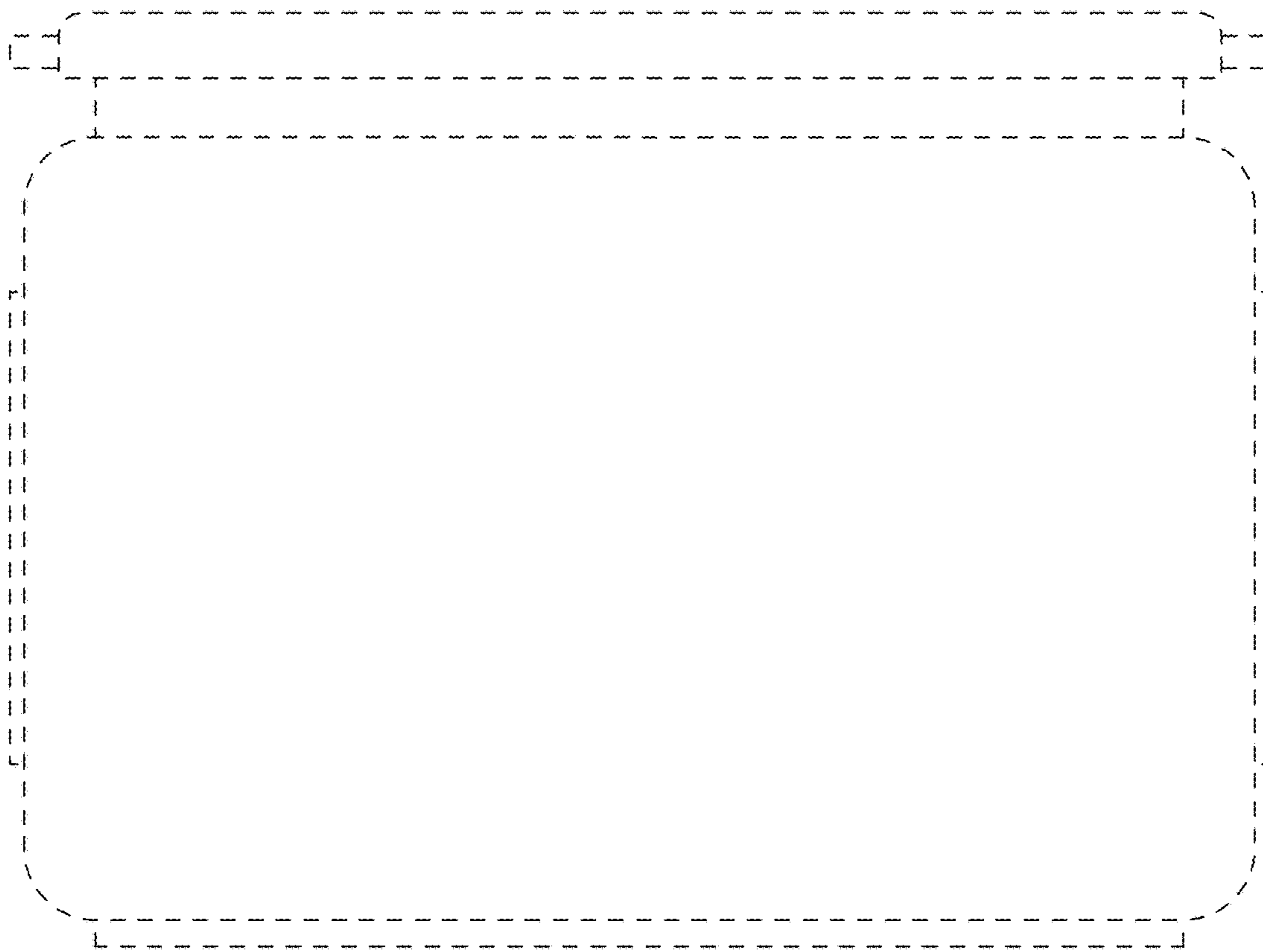


FIG. 14

