



US00D790444S

(12) **United States Design Patent**  
**Zhu et al.**

(10) **Patent No.:** **US D790,444 S**

(45) **Date of Patent:** **\*\* Jun. 27, 2017**

(54) **TIRE TREAD**

(71) Applicants: **COMPAGNIE GENERALE DES ETABLISSEMENTS MICHELIN**, Clermont-Ferrand (FR); **MICHELIN RECHERCHE et TECHNIQUE S.A.**, Granges-Paccot (CH)

(72) Inventors: **Fang Zhu**, Greer, SC (US); **Terence Wallace**, Fountain Inn, SC (US); **Kai Chun Yang**, McLean, VA (US); **Lee Montgomery**, Piedmont, SC (US); **Stefan Voss**, Greer, SC (US)

(73) Assignees: **MICHELIN RECHERCHE et TECHNIQUE S.A.**, Granges-Paccot (CH); **COMPAGNIE GENERALE DES ETABLISSEMENTS MICHELIN**, Clermont-Ferrand (FR)

(\*\*) Term: **14 Years**

(21) Appl. No.: **29/525,397**

(22) Filed: **Apr. 29, 2015**

(51) **LOC (10) Cl.** ..... **12-15**

(52) **U.S. Cl.**  
USPC ..... **D12/566**

(58) **Field of Classification Search**  
USPC ..... D12/533-567  
CPC ..... B60C 1/0016; B60C 11/0306; B60C 11/0302; B60C 3/06; B60C 9/17  
See application file for complete search history.

(56) **References Cited**

**U.S. PATENT DOCUMENTS**

D391,203 S *	2/1998	Gillard	.....	D12/596
D414,446 S	9/1999	Kemp, Jr.		
D454,535 S *	3/2002	Kemp, Jr.	.....	D12/583
D472,202 S *	3/2003	Gillard	.....	D12/583
D555,078 S	11/2007	Radulescu et al.		
D612,323 S *	3/2010	Parmentier	.....	D12/548

D612,325 S *	3/2010	Haga	.....	D12/566
D613,676 S *	4/2010	Nicolas	.....	D12/567
D666,965 S *	9/2012	Aoki	.....	D12/553
D668,206 S	10/2012	Moore et al.		
D712,342 S	9/2014	Zhu et al.		
D721,643 S	1/2015	Barrett et al.		

(Continued)

**FOREIGN PATENT DOCUMENTS**

EP 2 570 272 3/2013

**OTHER PUBLICATIONS**

X Multi Energy D, Michelin Tire, www.michelinman.com, at least as early as Jan. 20, 2015, 2 pages.

(Continued)

*Primary Examiner* — Robert M Spear

*Assistant Examiner* — John Voytek

(74) *Attorney, Agent, or Firm* — Dority & Manning, P.A.

(57) **CLAIM**

The ornamental design for a tire tread, as shown and described.

**DESCRIPTION**

FIG. 1 is a perspective view of a tire tread showing our new design, it being understood that the tread pattern repeats uniformly throughout the outer circumference and shoulder of the tire, the opposite side perspective being identical thereto;

FIG. 2 is a front elevation view thereof;

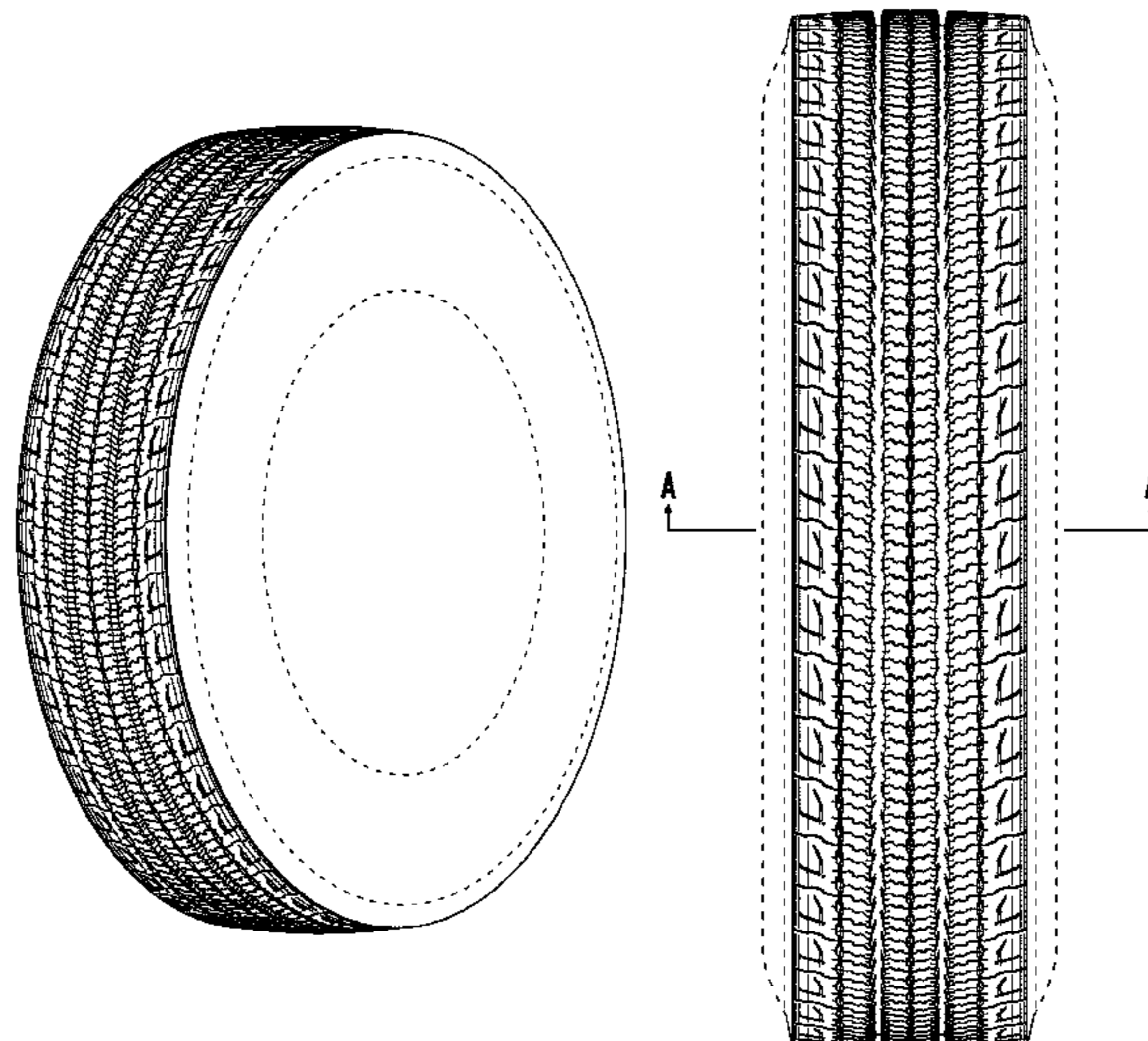
FIG. 3 is a side elevation view of the right side thereof;

FIG. 4 is a side elevation view of the left side thereof; and,

FIG. 5 is a cross-sectional view taken along line A-A of FIG. 2.

In the drawings, the broken line disclosure of the tire sidewall and inner bead depicts environmental structure and forms no part of the claimed design.

**1 Claim, 5 Drawing Sheets**



(56)

**References Cited**

U.S. PATENT DOCUMENTS

D724,007 S \* 3/2015 Belarbi ..... D12/564  
D758,287 S \* 6/2016 Zivkovic ..... D12/549  
D758,289 S \* 6/2016 Cagneaux ..... D12/564

OTHER PUBLICATIONS

Previously filed design U.S. Appl. No. 29/472,396, filed Nov. 12, 2013.

Previously filed design U.S. Appl. No. 29/472,404, filed Nov. 12, 2013.

\* cited by examiner

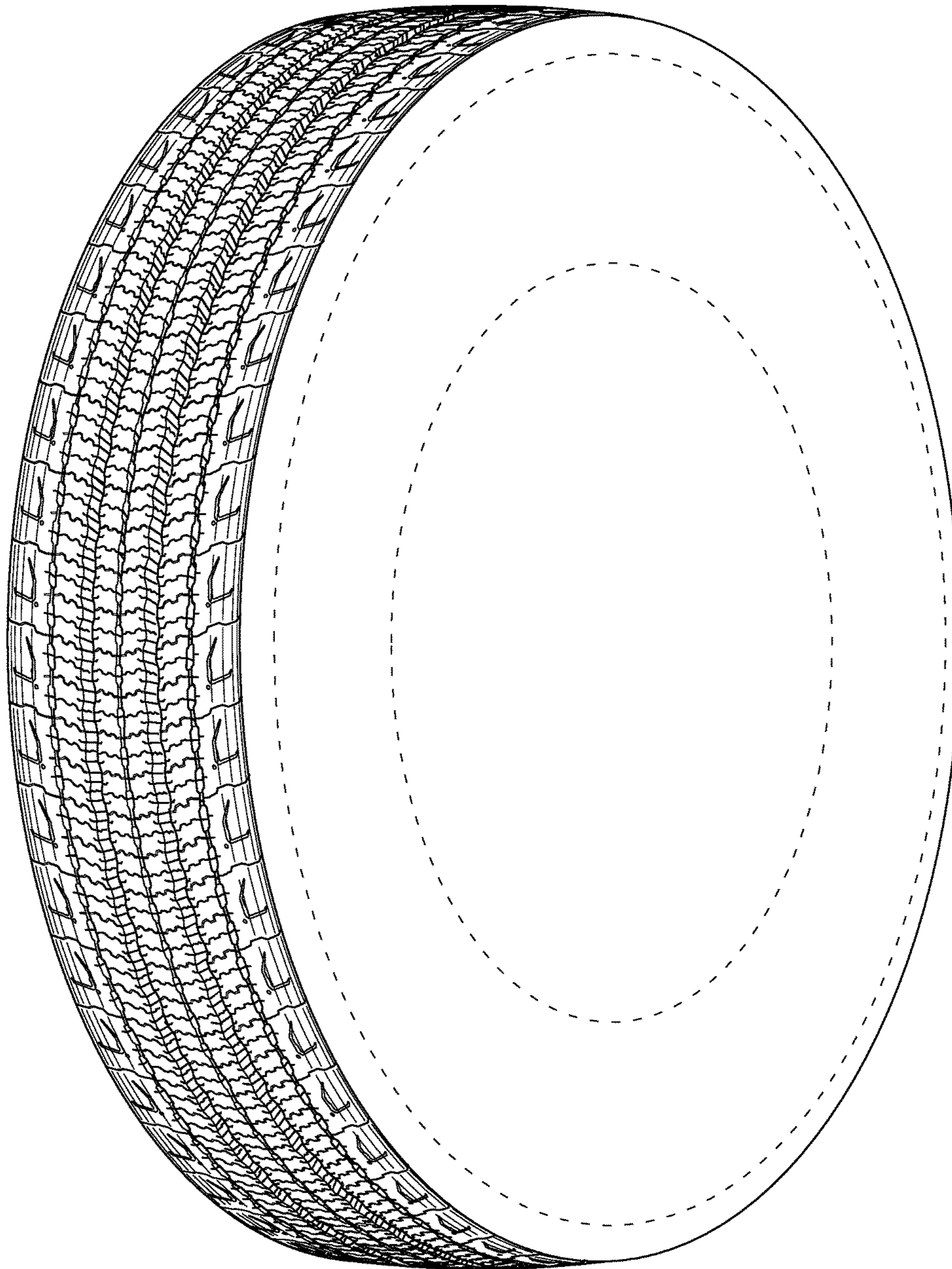


FIG. 1

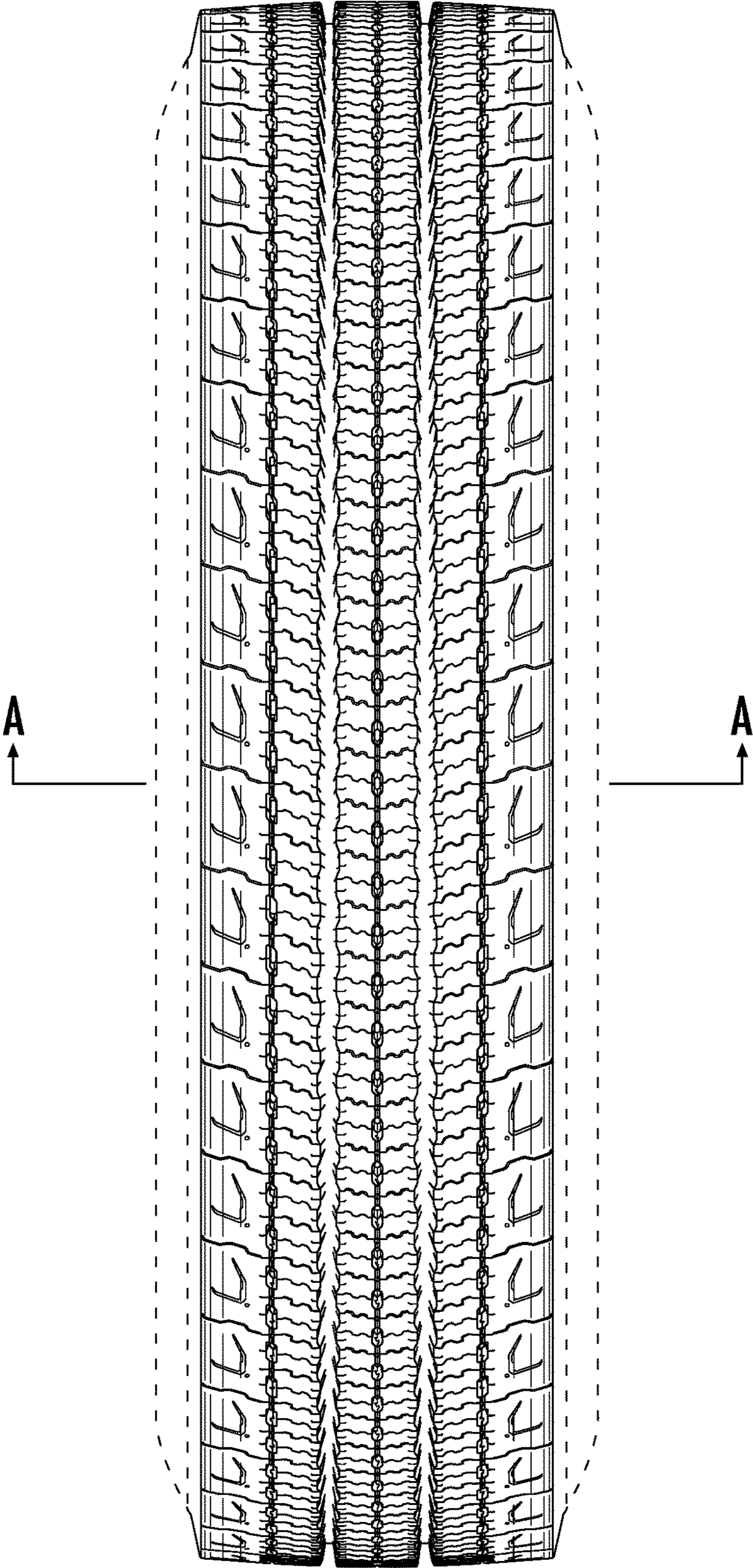


FIG. 2

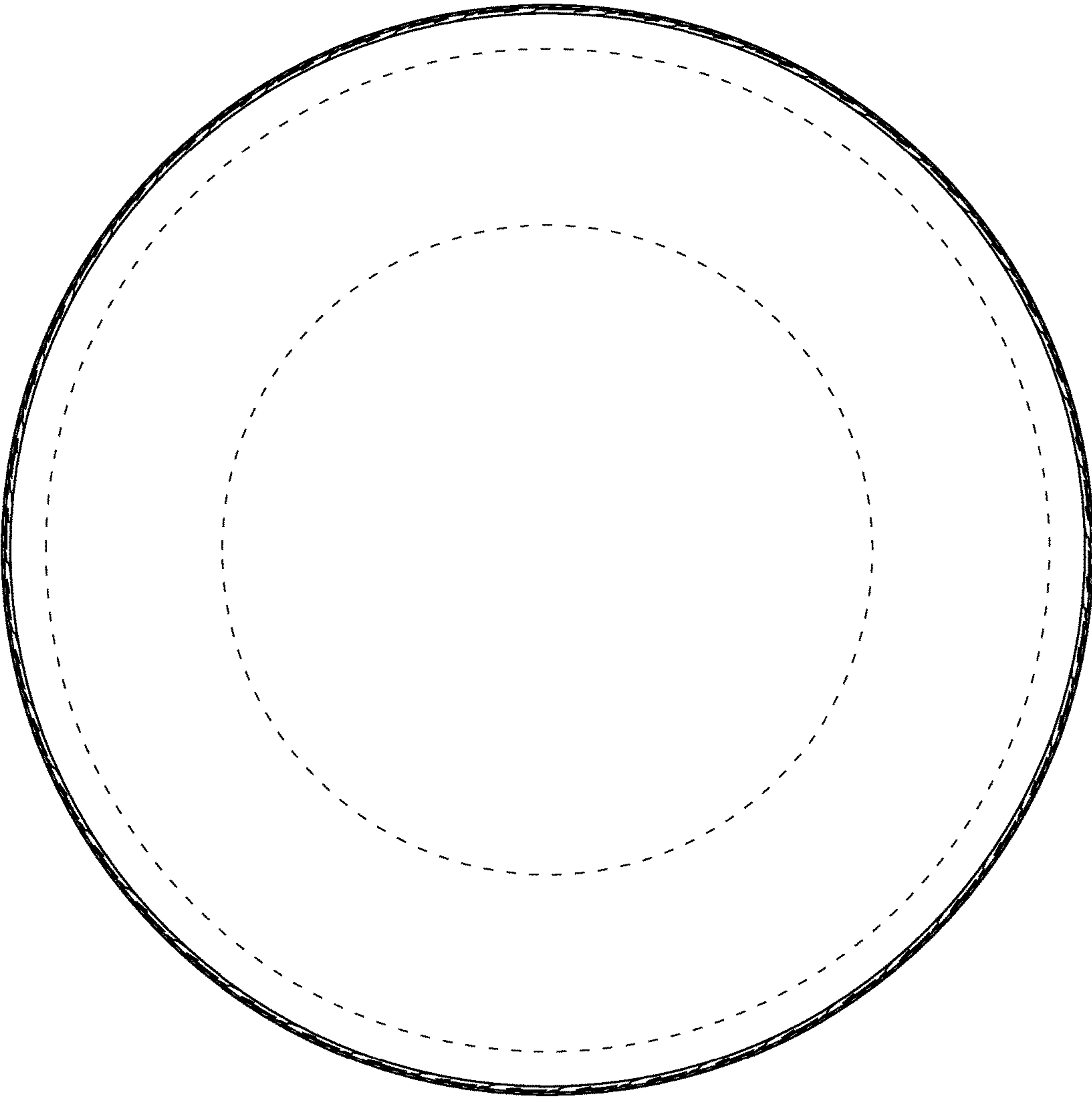
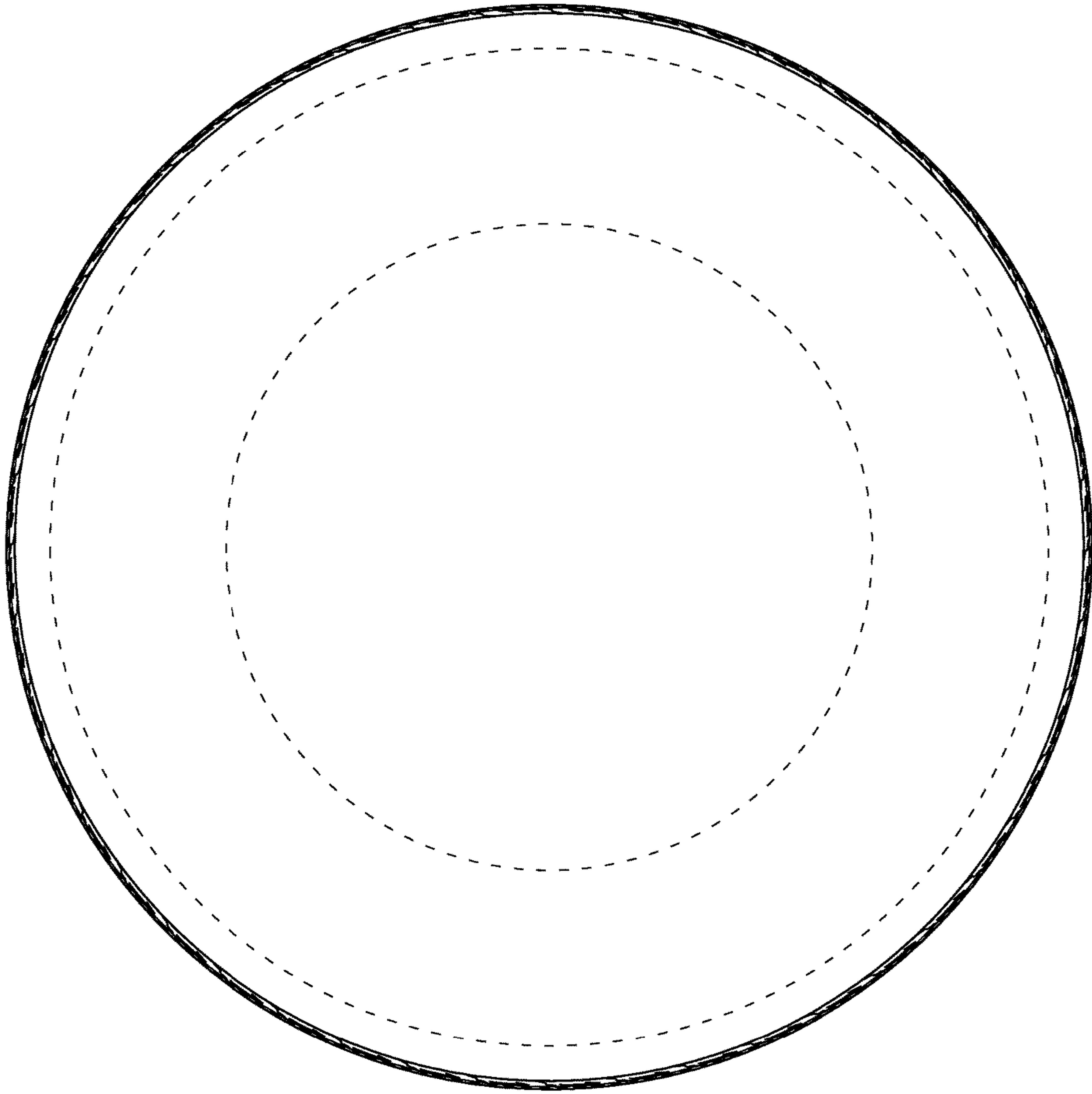


FIG. 3



**FIG. 4**

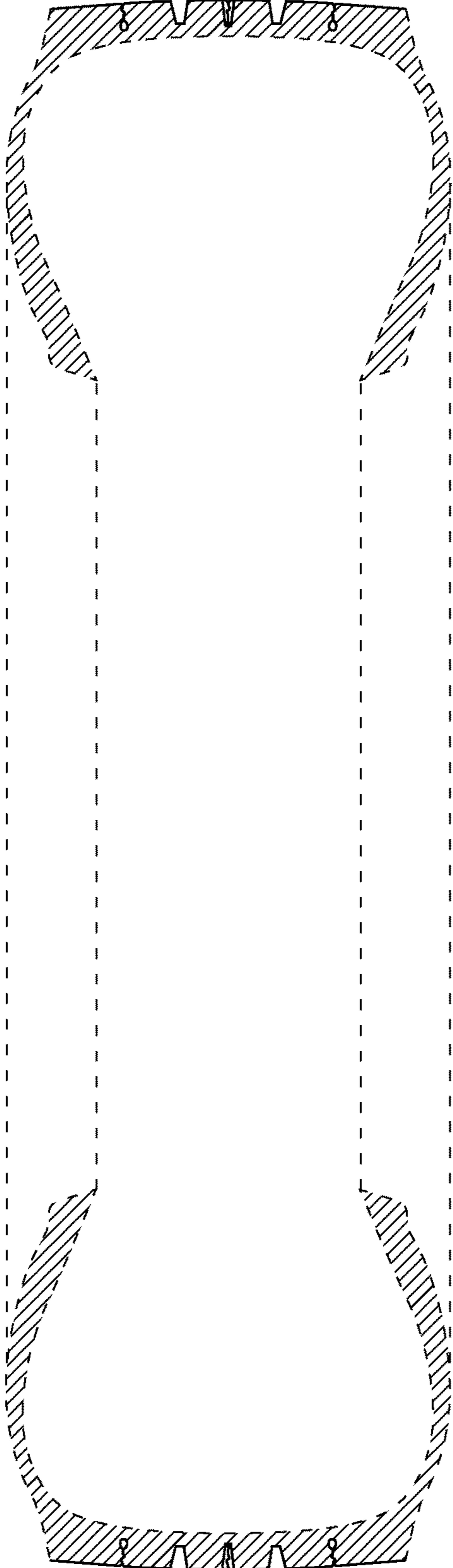


FIG. 5