



US00D790433S

(12) **United States Design Patent** (10) **Patent No.:** **US D790,433 S**
Descoteaux (45) **Date of Patent:** **** Jun. 27, 2017**

(54) **VEHICLE MOUNTED CARRYING SYSTEM**
(71) Applicant: **Timothy J. Descoteaux**, Lakeside, CT (US)
(72) Inventor: **Timothy J. Descoteaux**, Lakeside, CT (US)
(**) Term: **15 Years**
(21) Appl. No.: **29/553,577**
(22) Filed: **Feb. 3, 2016**
(51) **LOC (10) Cl.** **12-16**
(52) **U.S. Cl.**
USPC **D12/406**
(58) **Field of Classification Search**
USPC D12/412, 406, 413, 414, 414.1; D6/552; D3/304-306
CPC B60R 9/00; B60R 9/02; B60R 9/04; B60R 9/08; B60R 9/055; B60R 9/058; B60R 9/06; B60R 9/065; B60R 9/10; B60R 9/12
See application file for complete search history.

D593,927 S * 6/2009 Walton D12/406
D691,518 S * 10/2013 Monia D12/101
D713,775 S * 9/2014 Lagermann D12/406
D743,870 S * 11/2015 Galley D12/406
D754,055 S * 4/2016 Harrison D12/406

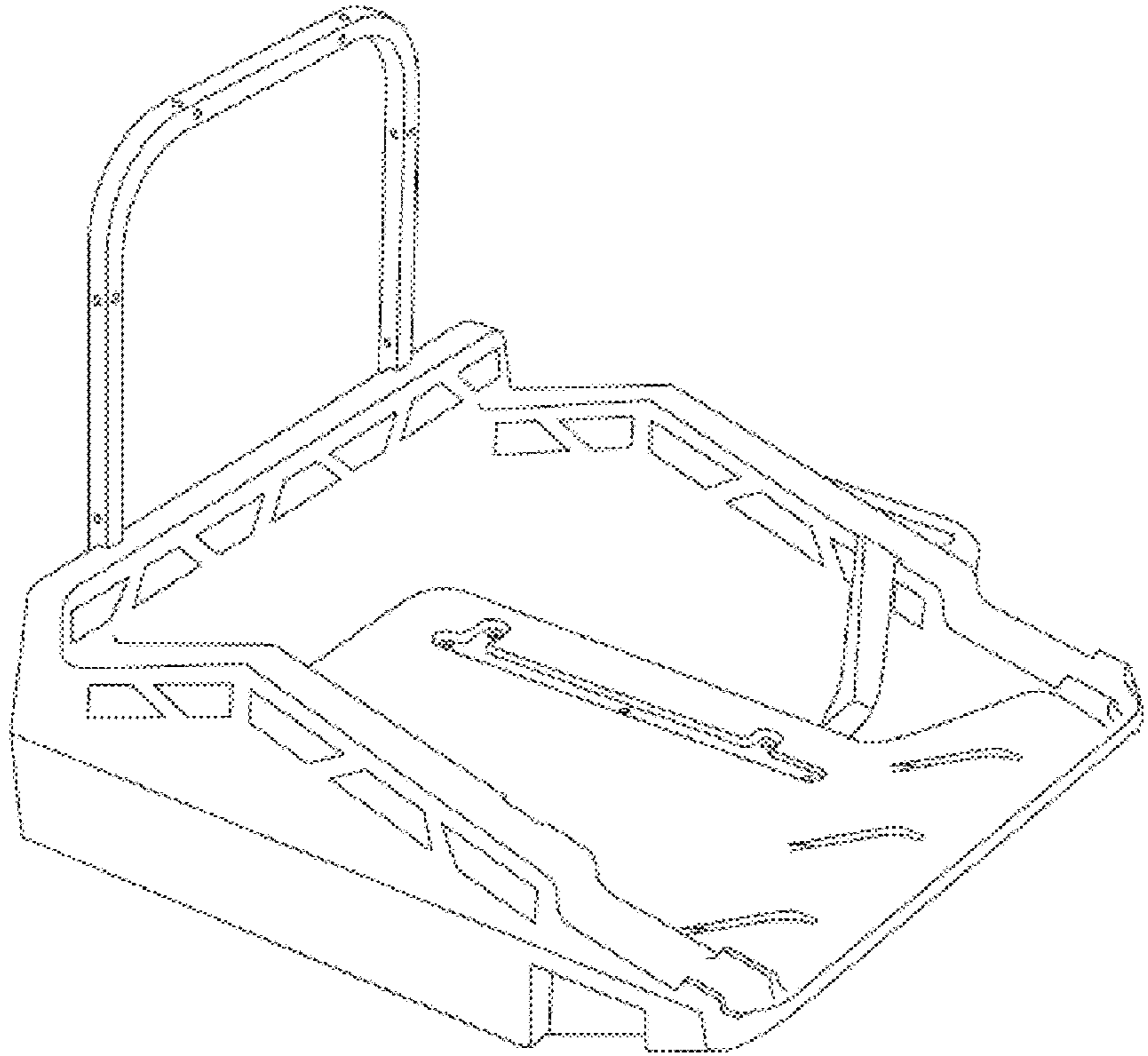
* cited by examiner
Primary Examiner — Katrina A Betton
(74) *Attorney, Agent, or Firm* — Carla Gannon Law

(57) **CLAIM**
I claim the ornamental design for a vehicle mounted carrying system, as shown and described.

DESCRIPTION
FIG. 1 is a perspective view of the carrying system; FIG. 2 is the top view of the carrying system of FIG. 1; FIG. 3 is the bottom view of the carrying system of FIG. 1; FIG. 4 is the front view of the carrying system of FIG. 1; FIG. 5 is the back view of the carrying system of FIG. 1; FIG. 6 is a side view of the carrying system of FIG. 1; FIG. 7 is the opposite side view of the carrying system of FIG. 6; and, FIG. 8 is a perspective view of the carrying system of FIG. 1 connected to an all-terrain vehicle. The broken lines showing the all-terrain vehicle of FIG. 8 are included for purposes of illustrating the vehicle mounted carrying system in use, and form no part of the claimed invention.

(56) **References Cited**
U.S. PATENT DOCUMENTS
D459,287 S * 6/2002 Beard D12/406
D528,965 S * 9/2006 Wang D12/406
D586,287 S * 2/2009 McBride D12/106

1 Claim, 8 Drawing Sheets



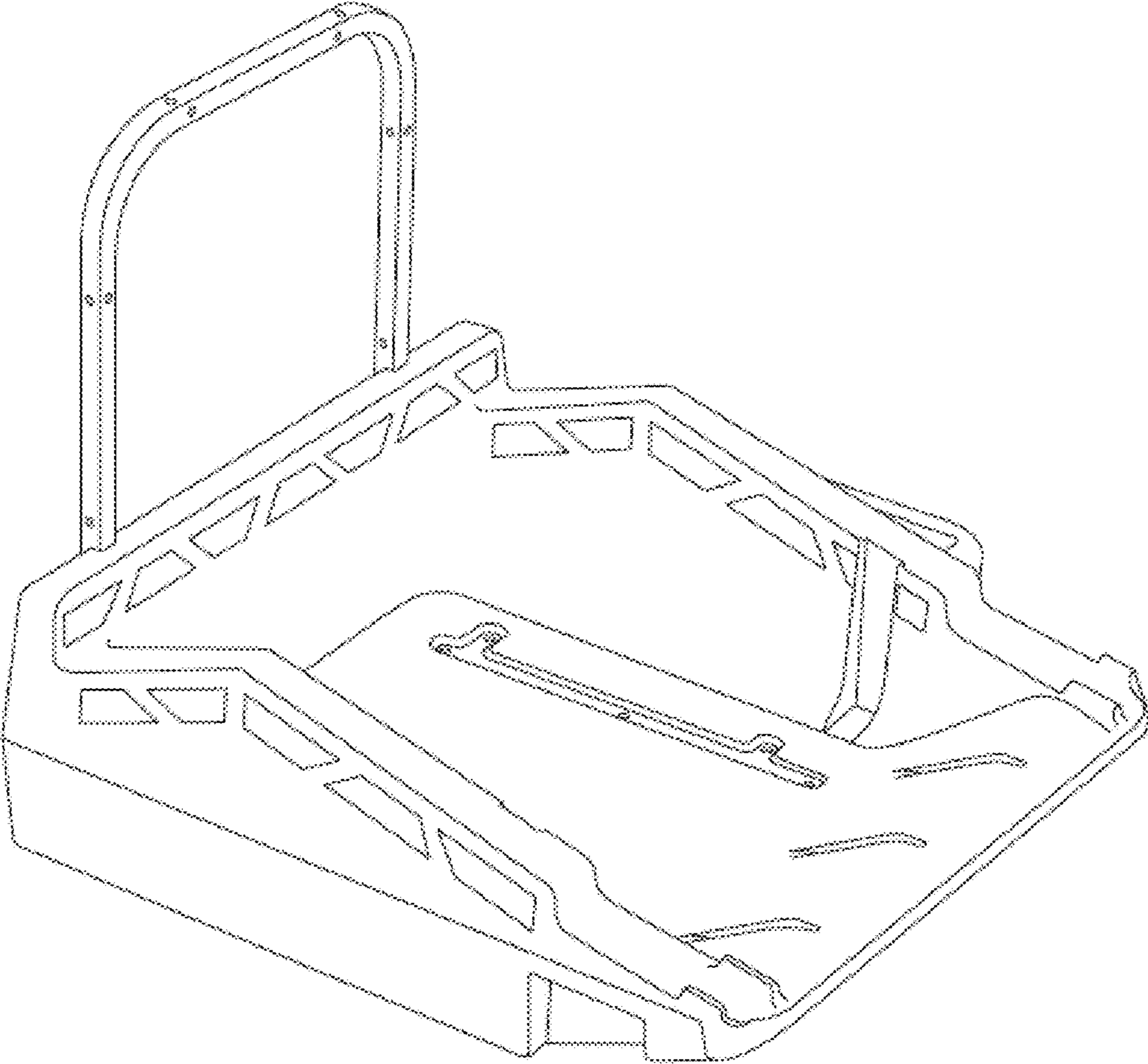


FIG. 1

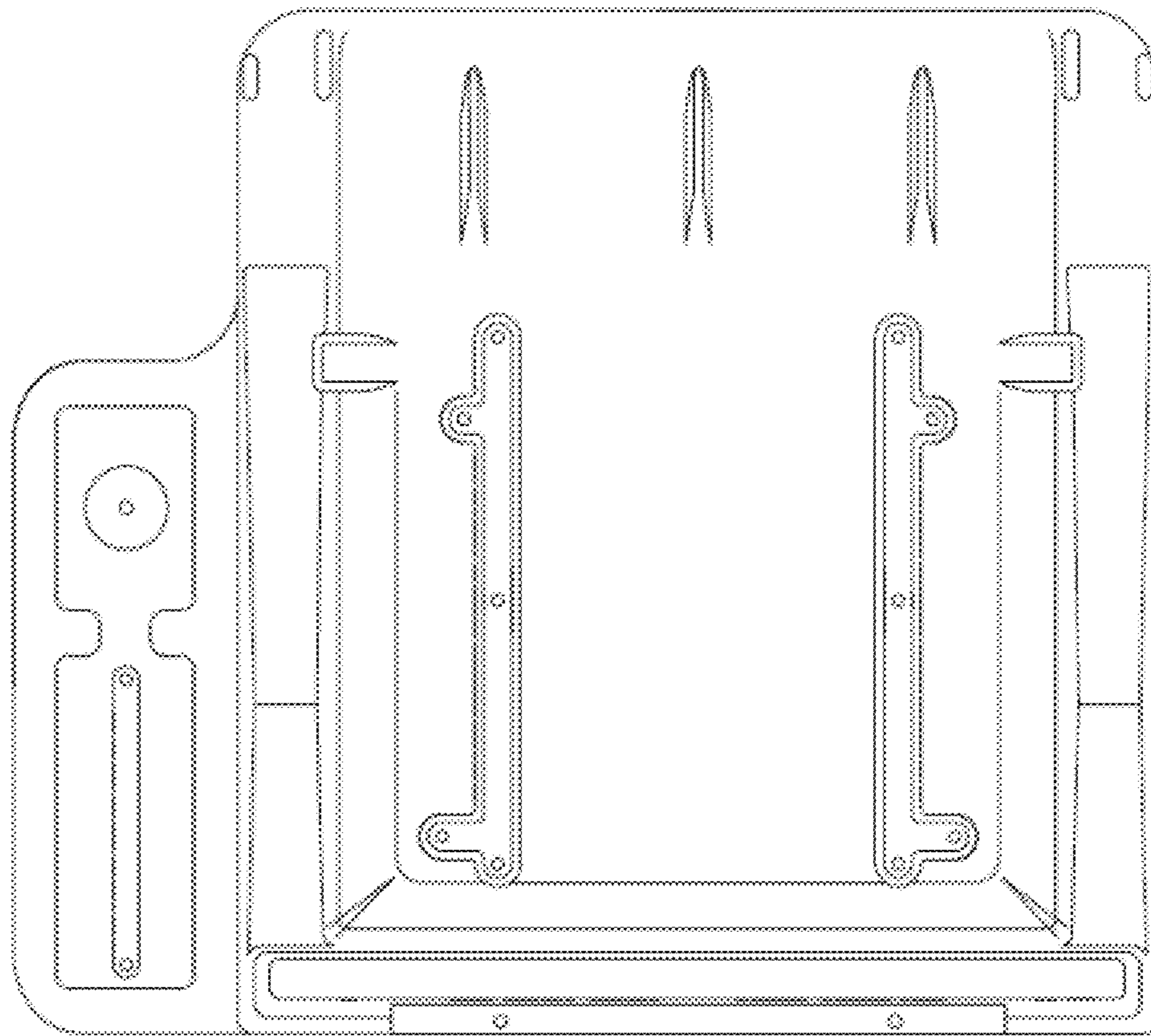


FIG. 2

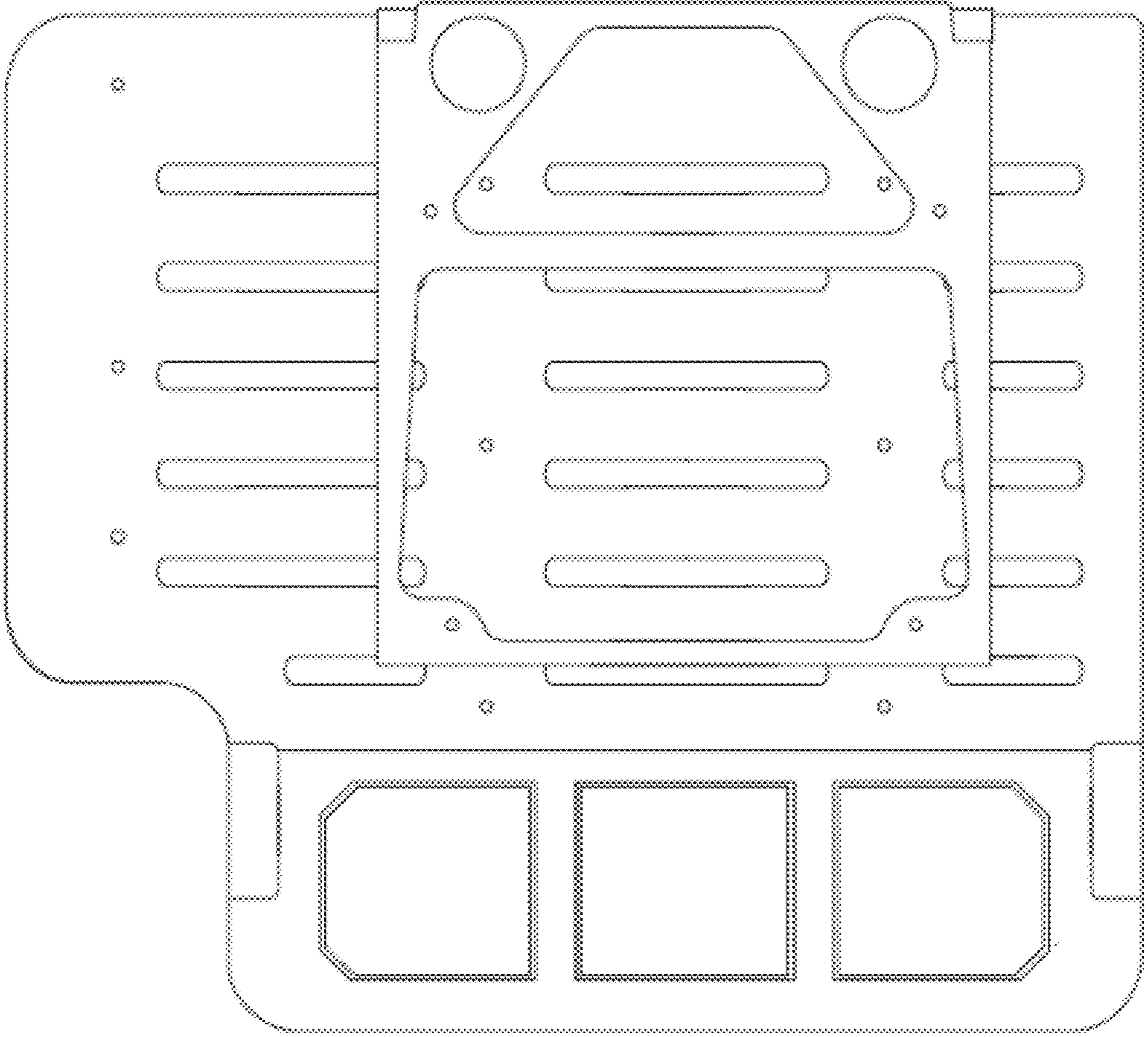


FIG. 3

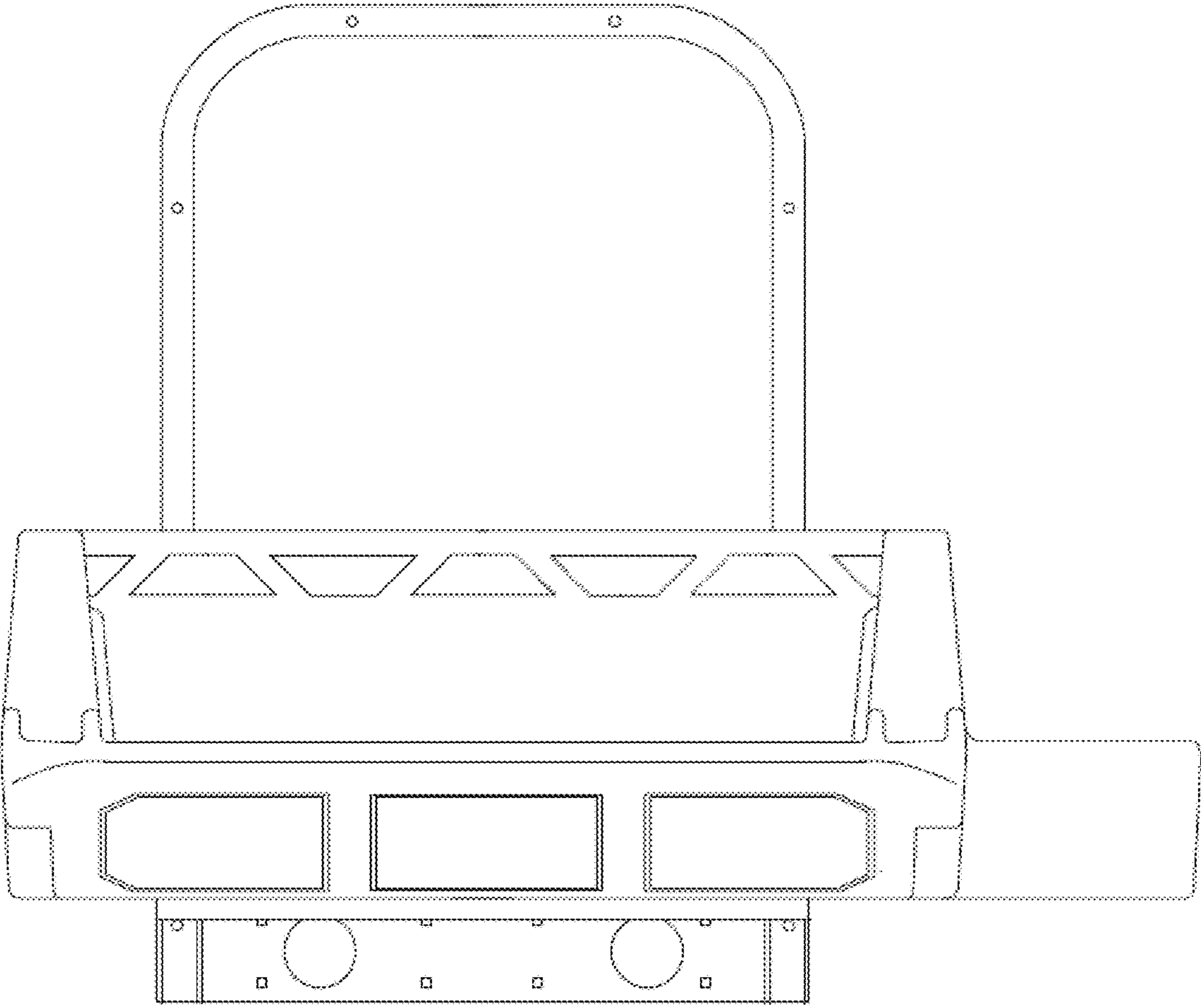


FIG. 4

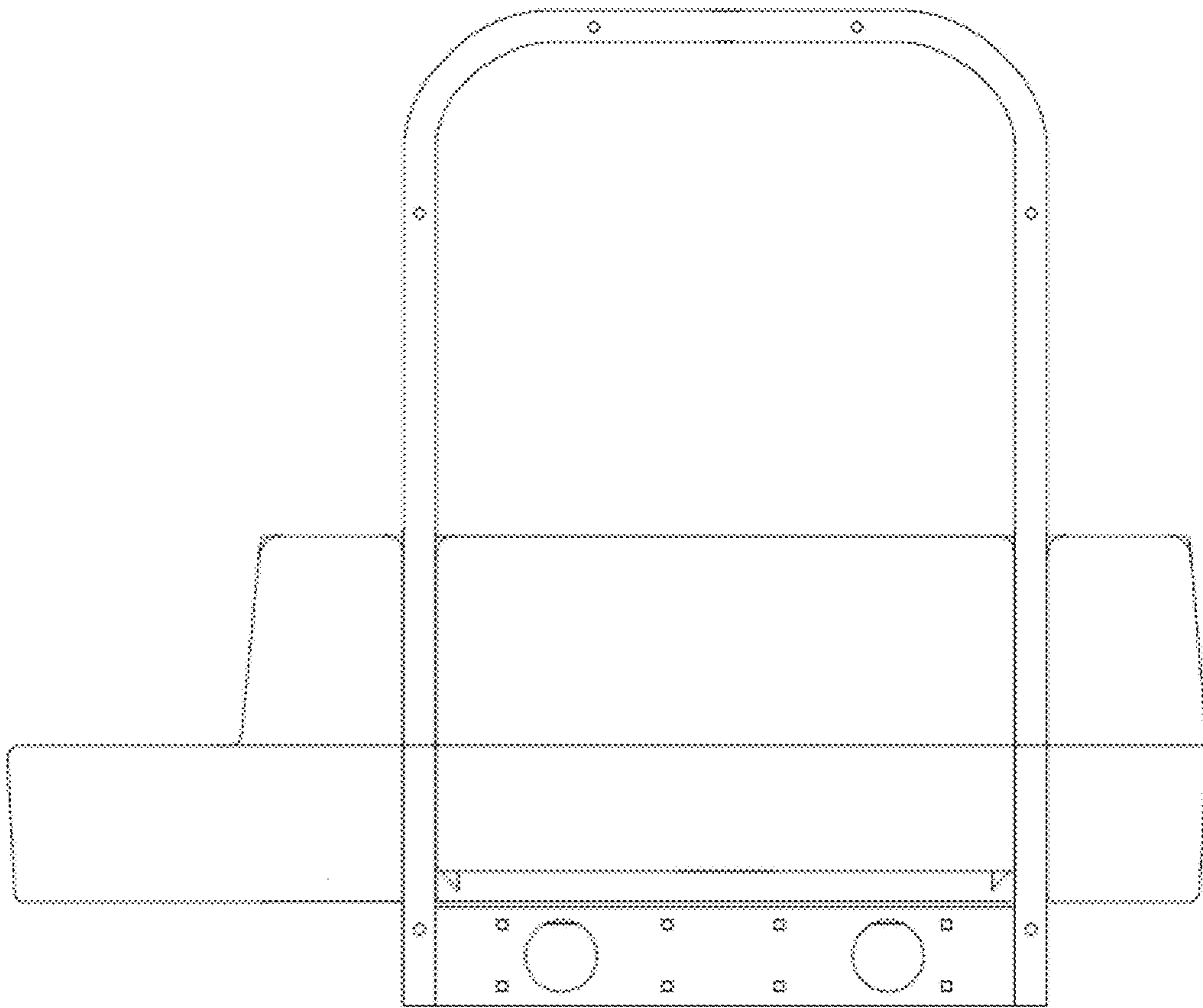


FIG. 5

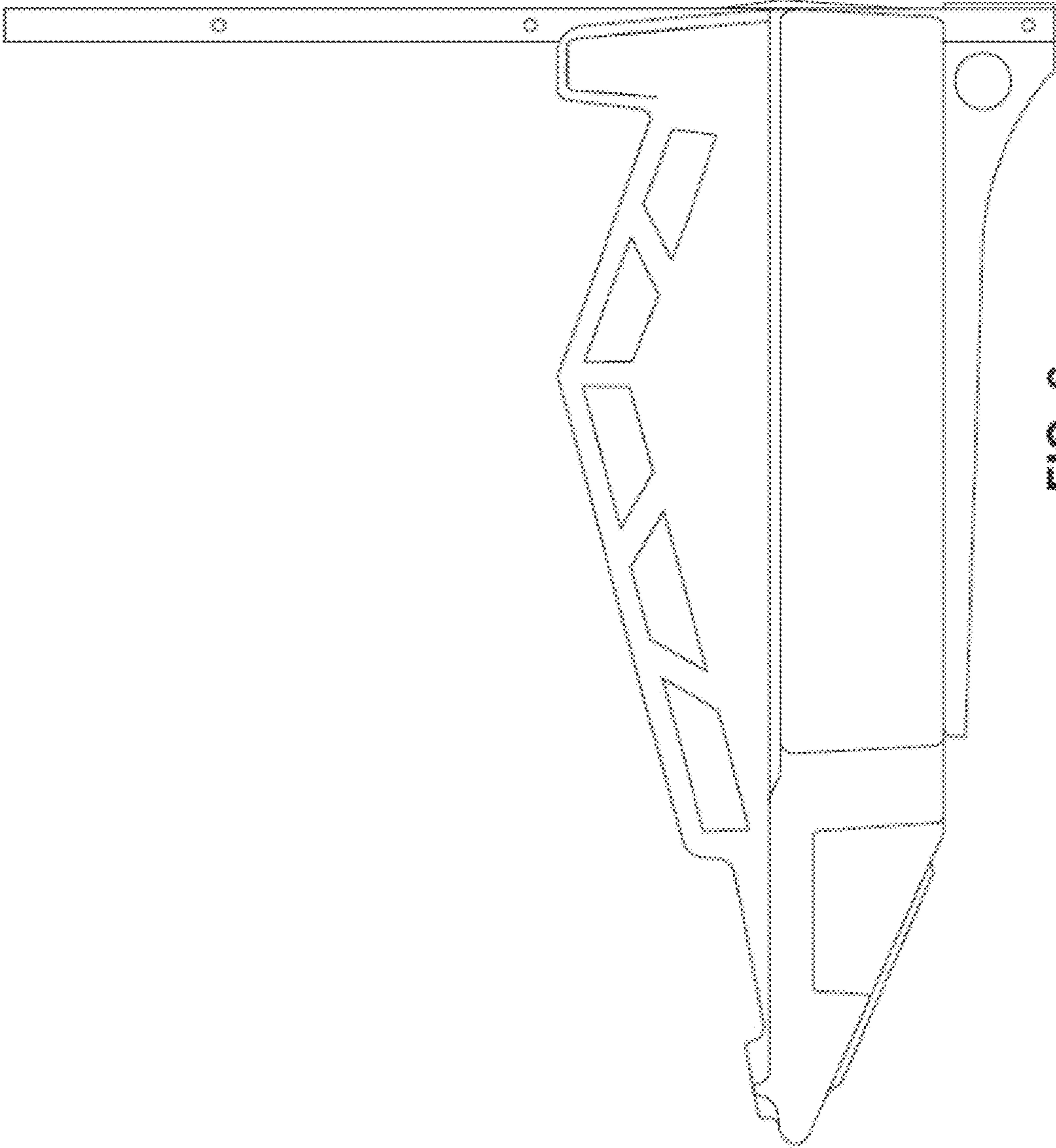


FIG. 6

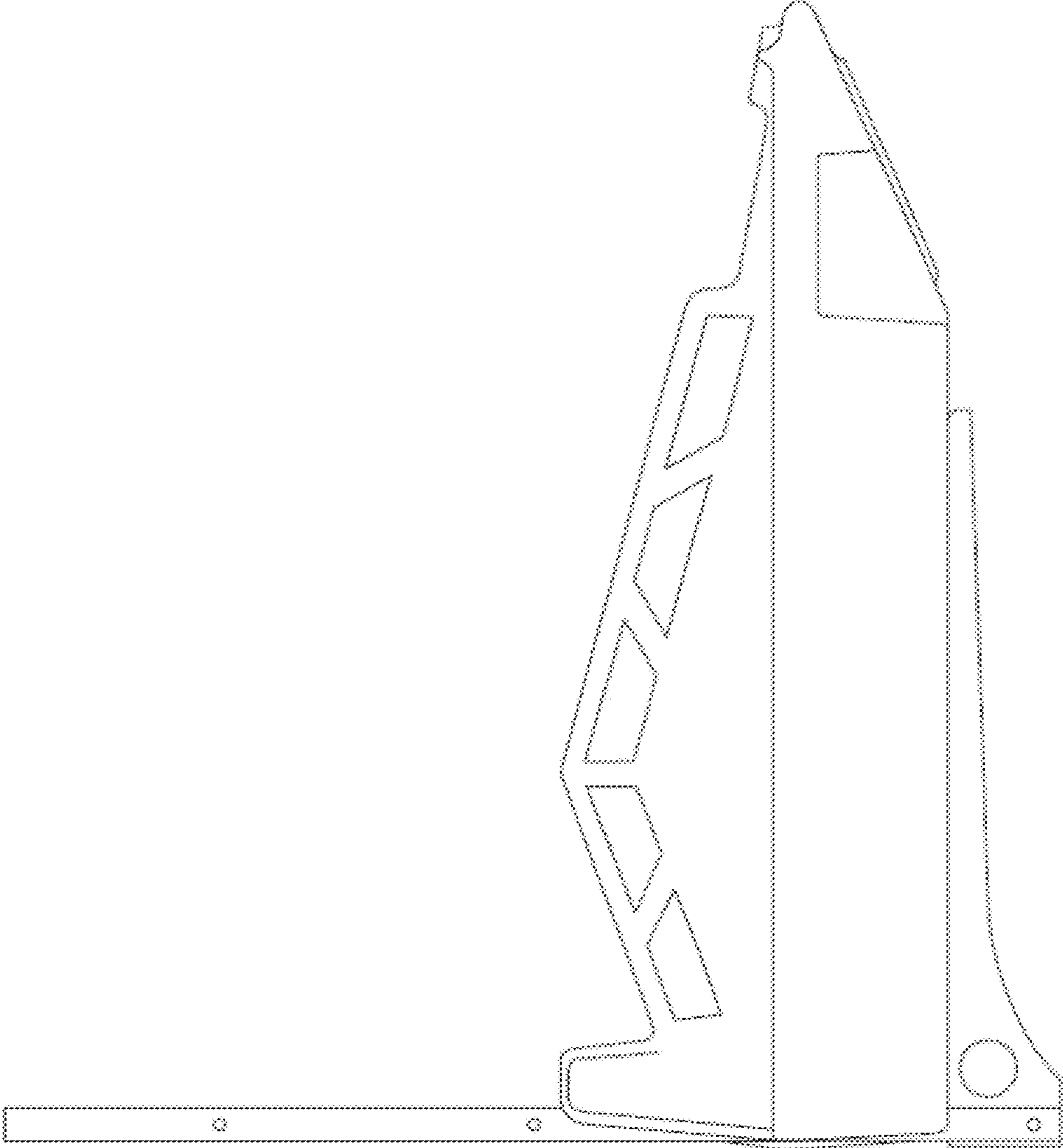


FIG. 7

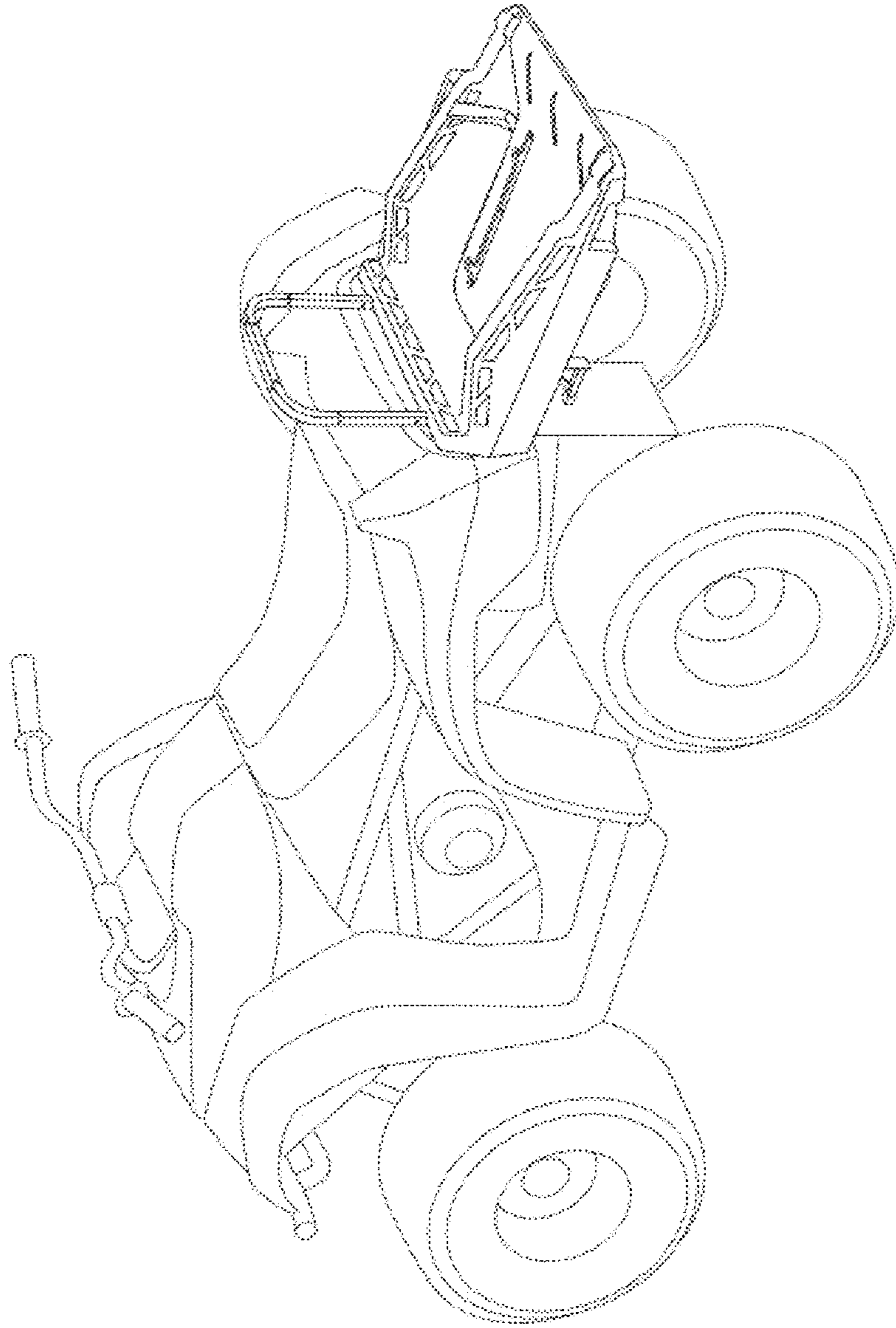


FIG. 8