



US00D790432S

(12) **United States Design Patent** (10) **Patent No.:** **US D790,432 S**  
**Jimenez et al.** (45) **Date of Patent:** **\*\* \*Jun. 27, 2017**

- (54) **SAFETY STRIP AND MOUNT**
- (71) Applicant: **Control Solutions LLC**, Aurora, IL (US)
- (72) Inventors: **Jorge Jimenez**, Downers Grove, IL (US); **Nick Scholtes**, Shorewood, IL (US); **Robert C. Signagio**, Lemont, IL (US)
- (73) Assignee: **Control Solutions LLC**, Aurora, IL (US)
- (\*) Notice: This patent is subject to a terminal disclaimer.
- (\*\*) Term: **14 Years**
- (21) Appl. No.: **29/432,543**
- (22) Filed: **Sep. 17, 2012**
- (51) **LOC (10) Cl.** ..... **12-16**
- (52) **U.S. Cl.**  
USPC ..... **D12/400**
- (58) **Field of Classification Search**  
USPC ..... D12/84, 89, 96, 97, 100, 190, 196, 203, D12/219, 220, 223, 304, 314, 400; D28/36, 92; 280/5.3, 163, 164.2, 166, 280/169, 291; 296/156, 164, 166; D6/325, 547, 572, 682.3; D8/349, 354, D8/364, 372, 381, 395  
See application file for complete search history.

- 3,632,070 A 1/1972 Thayer
- 3,913,876 A 10/1975 McSherry
- 3,971,105 A 7/1976 Caveney
- D250,876 S 1/1979 Lindblom
- 4,397,435 A 8/1983 Fisher et al.
- (Continued)

**OTHER PUBLICATIONS**

U.S. Appl. No. 29/335,224, filed Apr. 10, 2009.  
(Continued)

*Primary Examiner* — George D Kirschbaum  
*Assistant Examiner* — Natasha Vujcic  
(74) *Attorney, Agent, or Firm* — Locke Lord LLP; Christopher J. Capelli

(57) **CLAIM**

The ornamental design for a safety strip and mount, as shown and described above.

**DESCRIPTION**

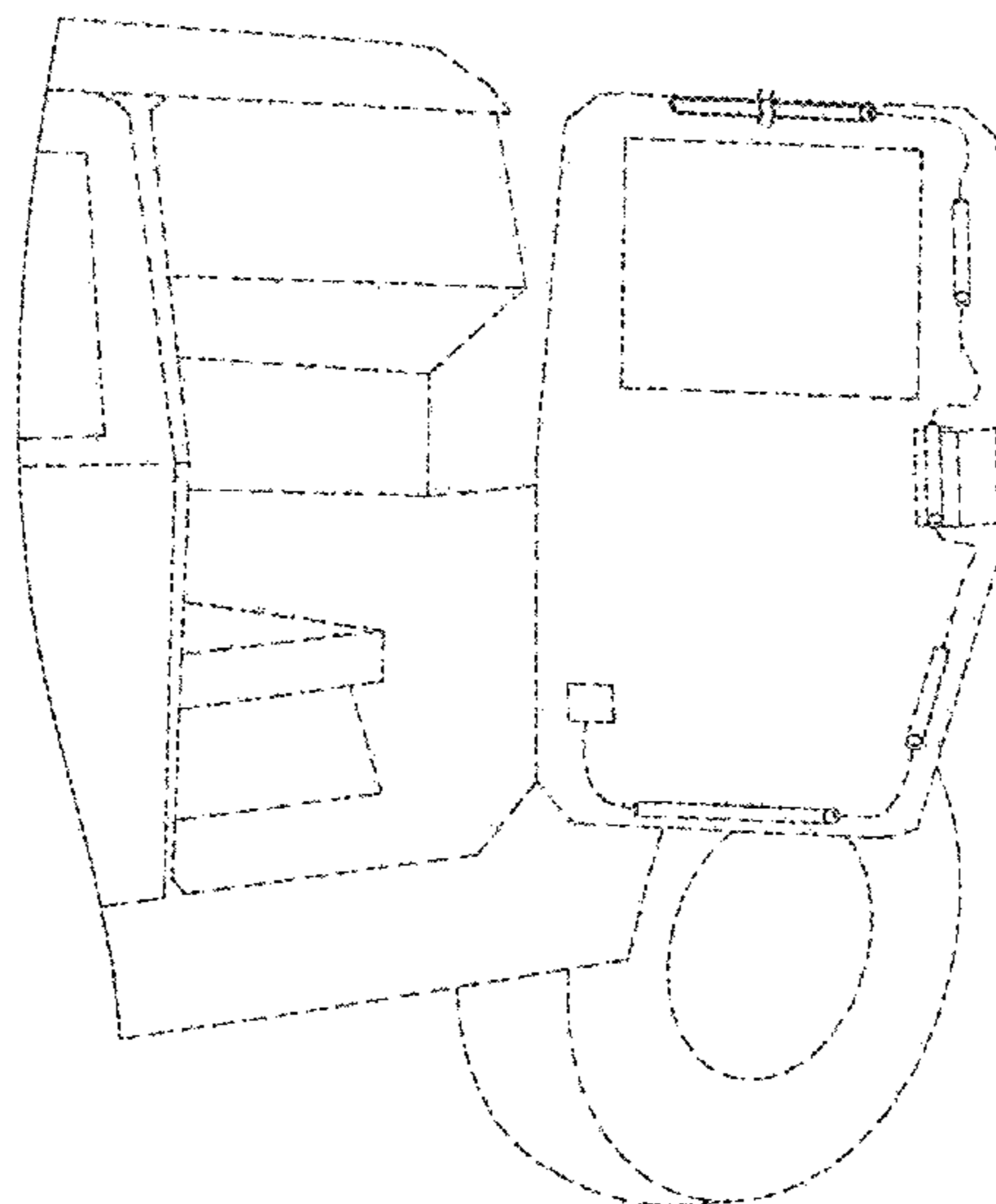
FIG. 1 is a front view of a safety strip and mount in a position of use;  
FIG. 2 is a front perspective view thereof;  
FIG. 3 is a top view of thereof;  
FIG. 4 is a front elevational view thereof;  
FIG. 5 is a bottom view thereof;  
FIG. 6 is a rear elevational view thereof; and,  
FIG. 7 is a left side elevational view; the other side being the mirror image thereof.  
A left side elevational view is provided for each drawing of which the right side elevational view is identical.  
The broken lines in the drawings illustrate portions of the safety strip and mount, as well as environment, which form no part of the claimed design.  
The break lines in the drawings indicate that the appearance of any portion of the safety strip and mount between the break lines forms no part of the claimed design.

**1 Claim, 3 Drawing Sheets**

(56) **References Cited**

**U.S. PATENT DOCUMENTS**

- 1,313,191 A 8/1919 Karitzky
- 1,808,328 A 6/1931 Thomson
- 3,154,275 A 10/1964 Stewart
- 3,454,249 A 7/1969 Geisinger
- 3,556,008 A \* 1/1971 Branfield et al. .... 222/327
- 3,581,349 A 6/1971 Verspieren



(56)

References Cited

U.S. PATENT DOCUMENTS

D297,465 S \* 8/1988 Nally et al. .... D25/119  
 4,766,651 A 8/1988 Kobayashi et al.  
 4,805,856 A 2/1989 Nicoll et al.  
 D305,977 S 2/1990 Ono  
 5,313,908 A \* 5/1994 Kunz ..... D12/304  
 5,330,140 A 7/1994 Cseri  
 5,332,179 A 7/1994 Kuffel et al.  
 5,362,018 A 11/1994 Darr et al.  
 5,725,185 A 3/1998 Auclair  
 D399,725 S \* 10/1998 Baker ..... D8/354  
 6,079,674 A 6/2000 Snyder  
 D428,285 S \* 7/2000 Hughes et al. .... D6/510  
 6,129,317 A 10/2000 Rodrigues et al.  
 6,149,109 A 11/2000 Stankowski  
 D470,689 S \* 2/2003 High ..... D6/492  
 D520,498 S \* 5/2006 Lin et al. .... D14/230  
 7,083,152 B2 8/2006 Cerullo et al.  
 7,150,437 B1 12/2006 Teeters

7,221,832 B2 5/2007 Tinucci  
 7,306,755 B2 12/2007 Morello  
 7,440,669 B2 10/2008 Tinucci  
 D603,781 S \* 11/2009 Jimenez ..... D12/223  
 D606,849 S \* 12/2009 Jimenez ..... D8/395  
 D617,255 S \* 6/2010 Tezak et al. .... D12/400  
 D621,338 S \* 8/2010 Jimenez et al. .... D12/400  
 D624,391 S \* 9/2010 Arendt et al. .... D8/349  
 D628,459 S \* 12/2010 Minkley et al. .... D8/349  
 D666,075 S \* 8/2012 Muratore et al. .... D8/349  
 D666,076 S \* 8/2012 Muratore et al. .... D8/349  
 D669,837 S \* 10/2012 Jimenez et al. .... D12/400  
 2008/0098571 A1 \* 5/2008 Morris ..... 24/16 R  
 2011/0163209 A1 \* 7/2011 Jimenez et al. .... 248/74.2

OTHER PUBLICATIONS

U.S. Appl. No. 29/335,227, filed Apr. 10, 2009.  
 U.S. Appl. No. 29/335,226, filed Apr. 10, 2009.  
 U.S. Appl. No. 29/335,225, filed Apr. 10, 2009.

\* cited by examiner

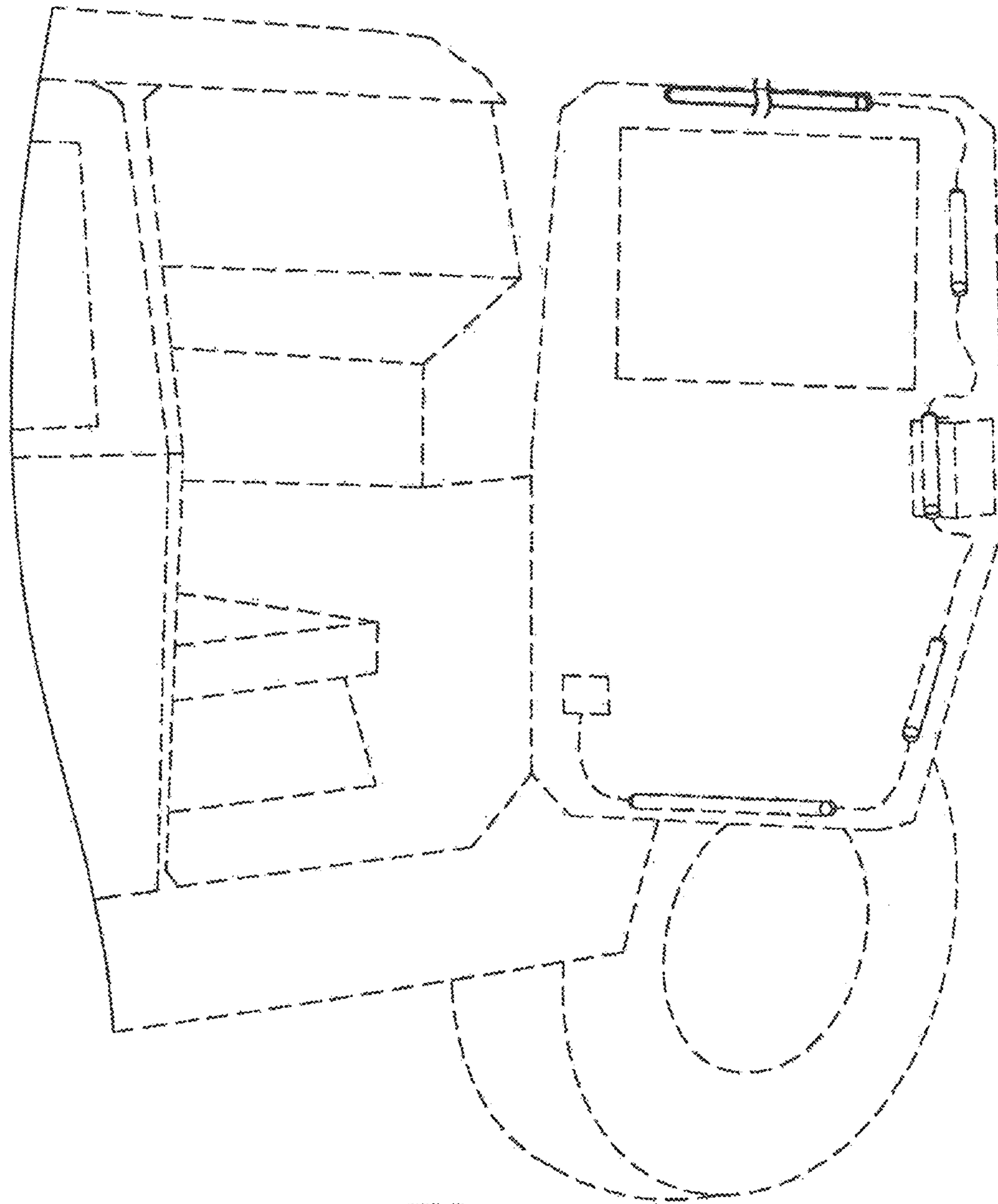


FIG. 1

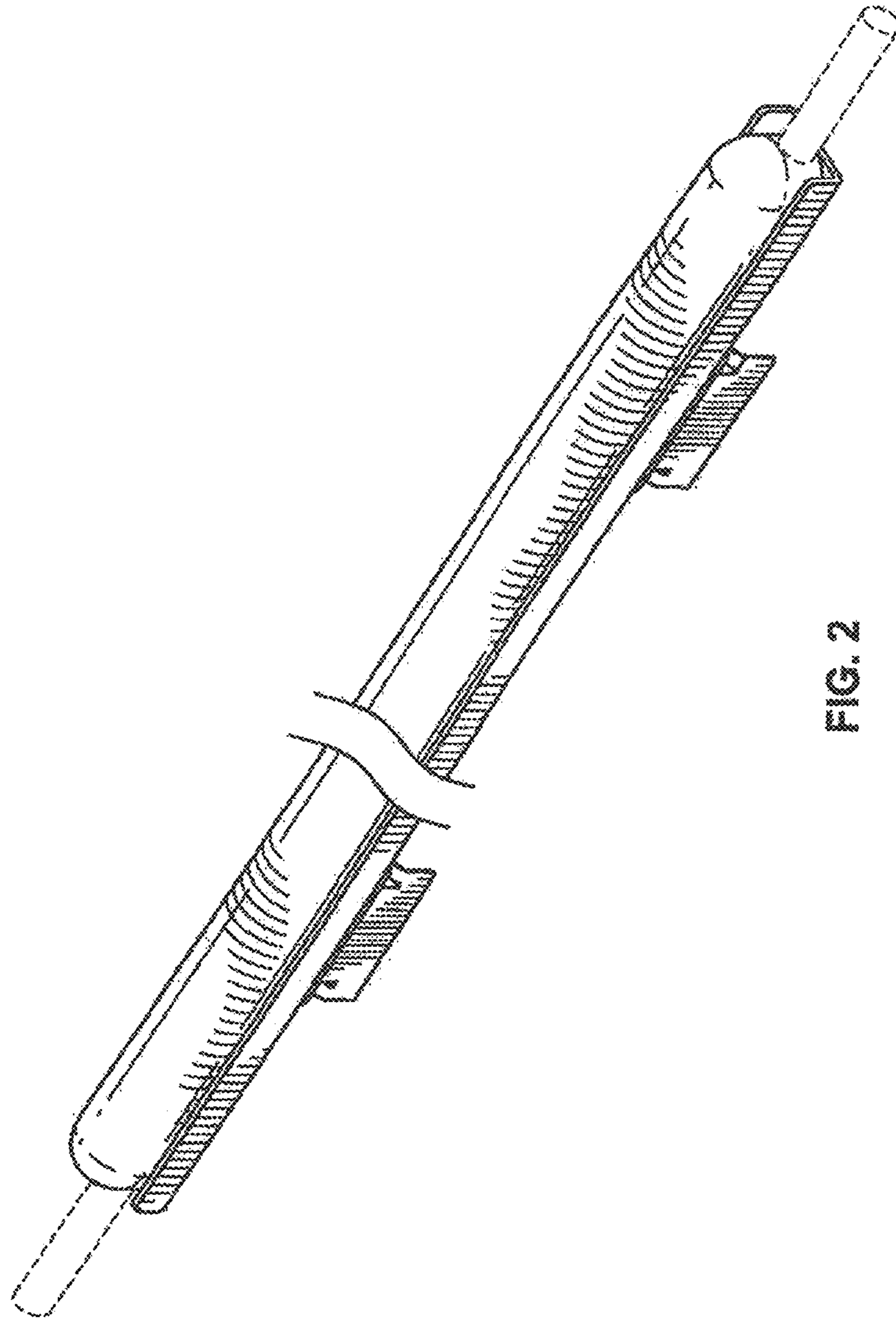


FIG. 2

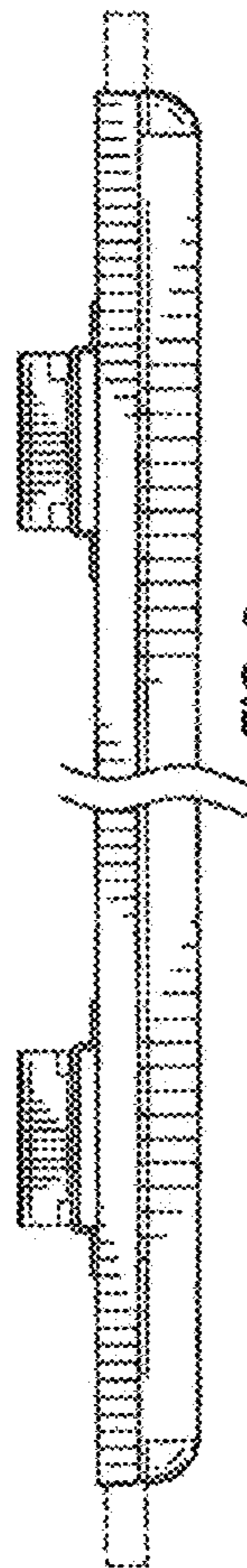


FIG. 3



FIG. 4

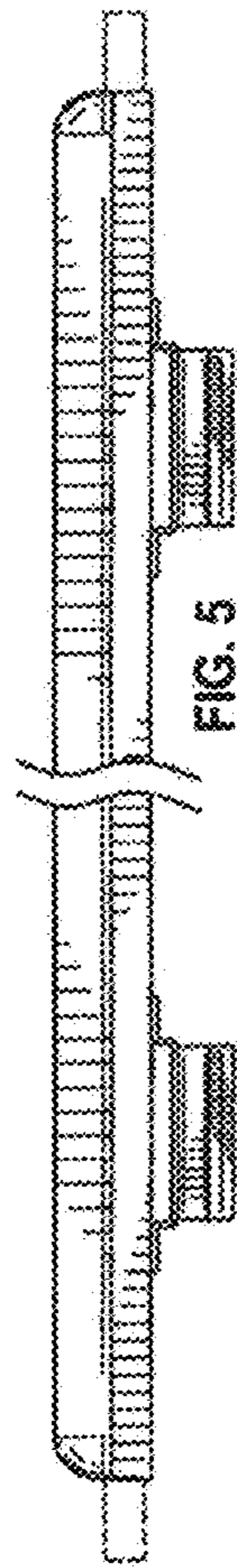


FIG. 5



FIG. 7

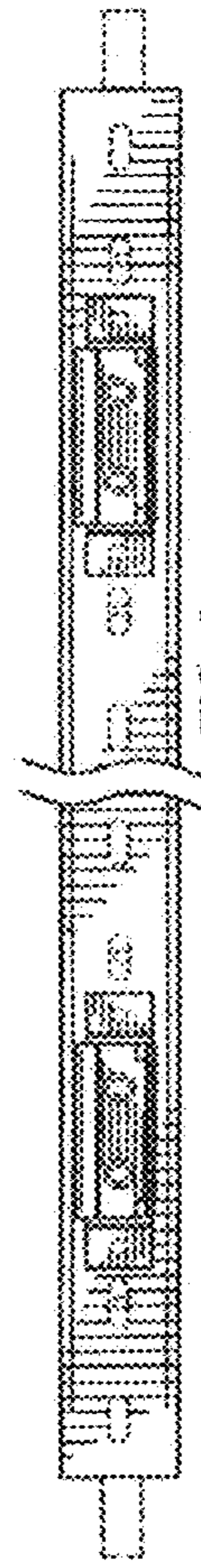


FIG. 6