



US00D790431S

(12) **United States Design Patent** (10) **Patent No.:** **US D790,431 S**
Akvan (45) **Date of Patent:** **** Jun. 27, 2017**

(54) **NOVELTY WINDSHIELD WIPER ATTACHMENT**
(71) Applicant: **Shahram Akvan**, New Port Richey, FL (US)
(72) Inventor: **Shahram Akvan**, New Port Richey, FL (US)

(**) Term: **15 Years**

(21) Appl. No.: **29/547,326**

(22) Filed: **Dec. 2, 2015**

(51) **LOC (10) Cl.** **12-16**

(52) **U.S. Cl.**
USPC **D12/220**

(58) **Field of Classification Search**
USPC D12/220, 219
CPC B60S 2001/3815; B60S 1/4003; B60S 1/3801
See application file for complete search history.

(56) **References Cited**

U.S. PATENT DOCUMENTS

D318,896 S * 8/1991 Crain D22/117
5,294,130 A * 3/1994 Woods F41B 15/00
273/348.4
D357,204 S * 4/1995 Meissner D10/109.1
D364,742 S * 12/1995 Wells D4/138

D365,910 S * 1/1996 King D99/43
D404,299 S * 1/1999 Midgett D21/567
D673,221 S * 12/2012 Bengyak D20/29
D688,348 S * 8/2013 Christenson D22/117
D718,407 S * 11/2014 Lloyd D22/117
D748,964 S * 2/2016 Bloch D8/76
D752,407 S * 3/2016 Johnson D8/76
D766,060 S * 9/2016 Seeds D8/76
D767,965 S * 10/2016 Seeds D8/76

* cited by examiner

Primary Examiner — Katrina A Betton

(74) *Attorney, Agent, or Firm* — Gulf Coast Intellectual Property Group

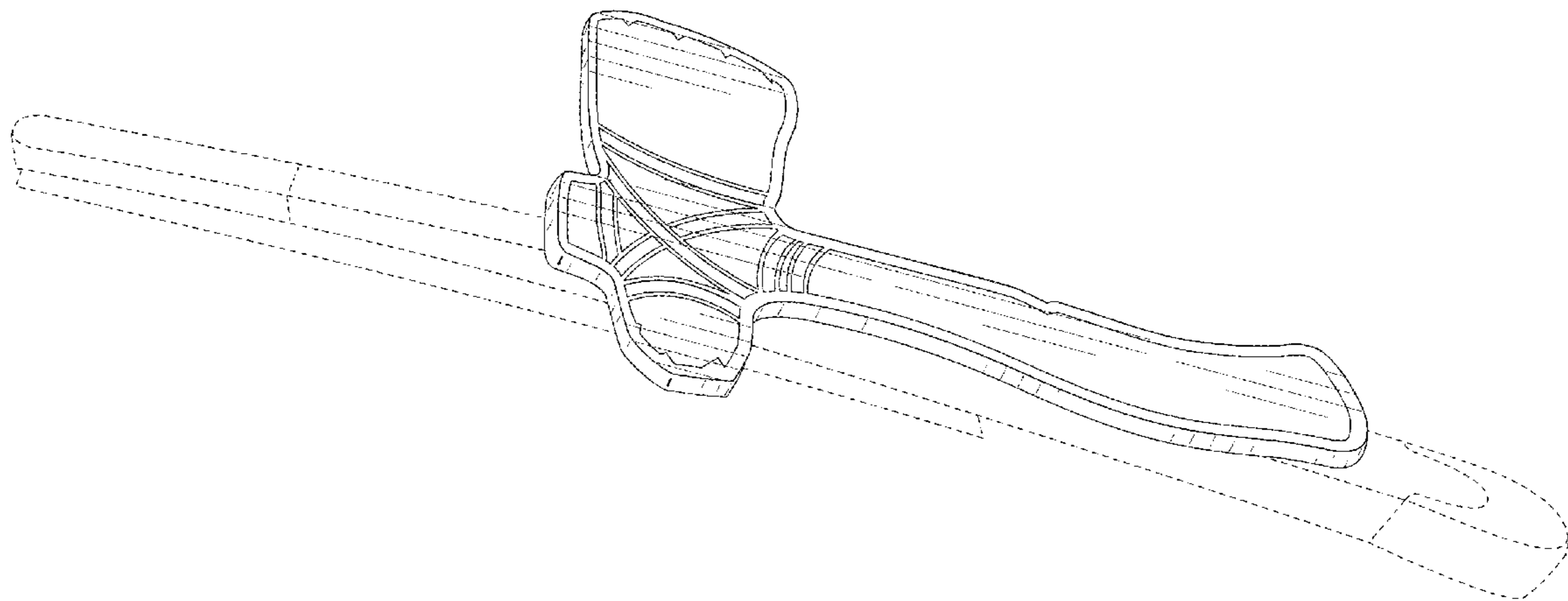
(57) **CLAIM**

The ornamental design for a novelty windshield wiper attachment, as shown and described.

DESCRIPTION

FIG. 1 is a perspective view of the present invention illustrated on an exemplary windshield wiper blade; and FIG. 2 is a front plan view of the present invention; and FIG. 3 is a rear plan view of the present invention; and FIG. 4 is a bottom end view of the present invention; and FIG. 5 is a top end view of the present invention; and FIG. 6 is a right side view of the present invention; and, FIG. 7 is a left side view of the present invention. In the drawings, the broken lines depict a windshield wiper blade and form no part of the claimed design.

1 Claim, 3 Drawing Sheets



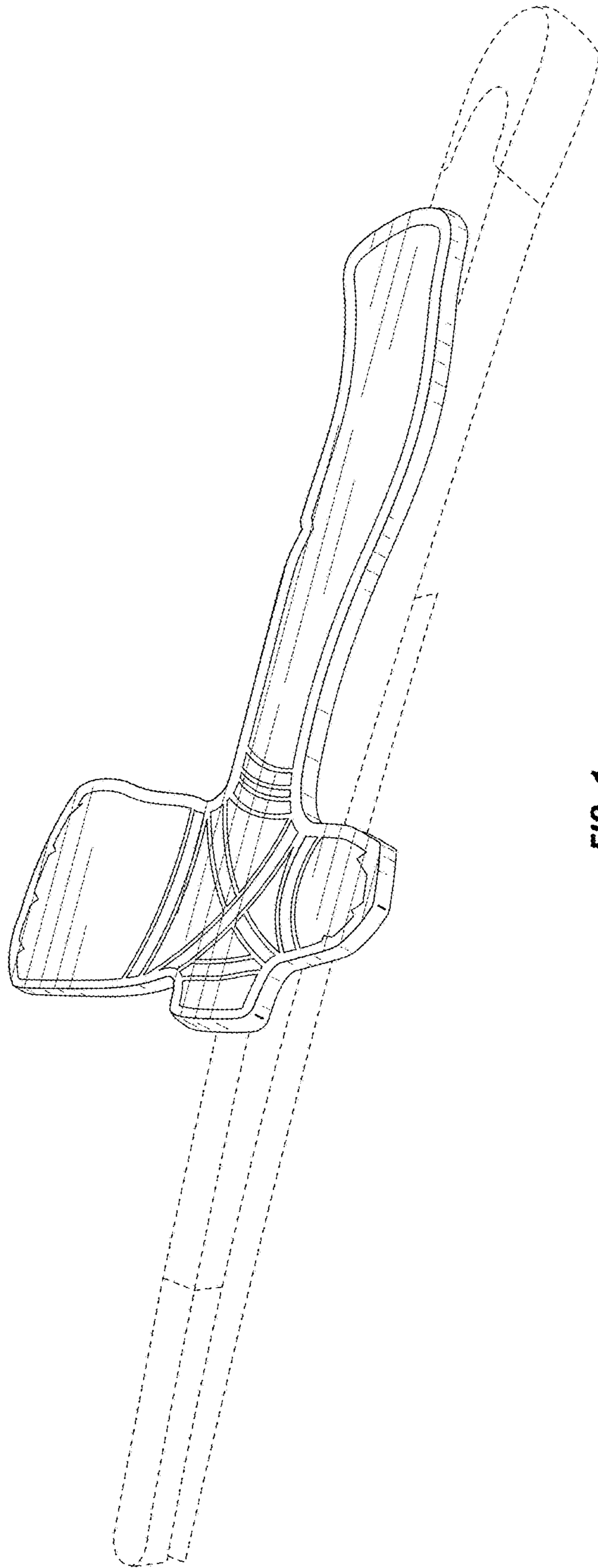


FIG. 1

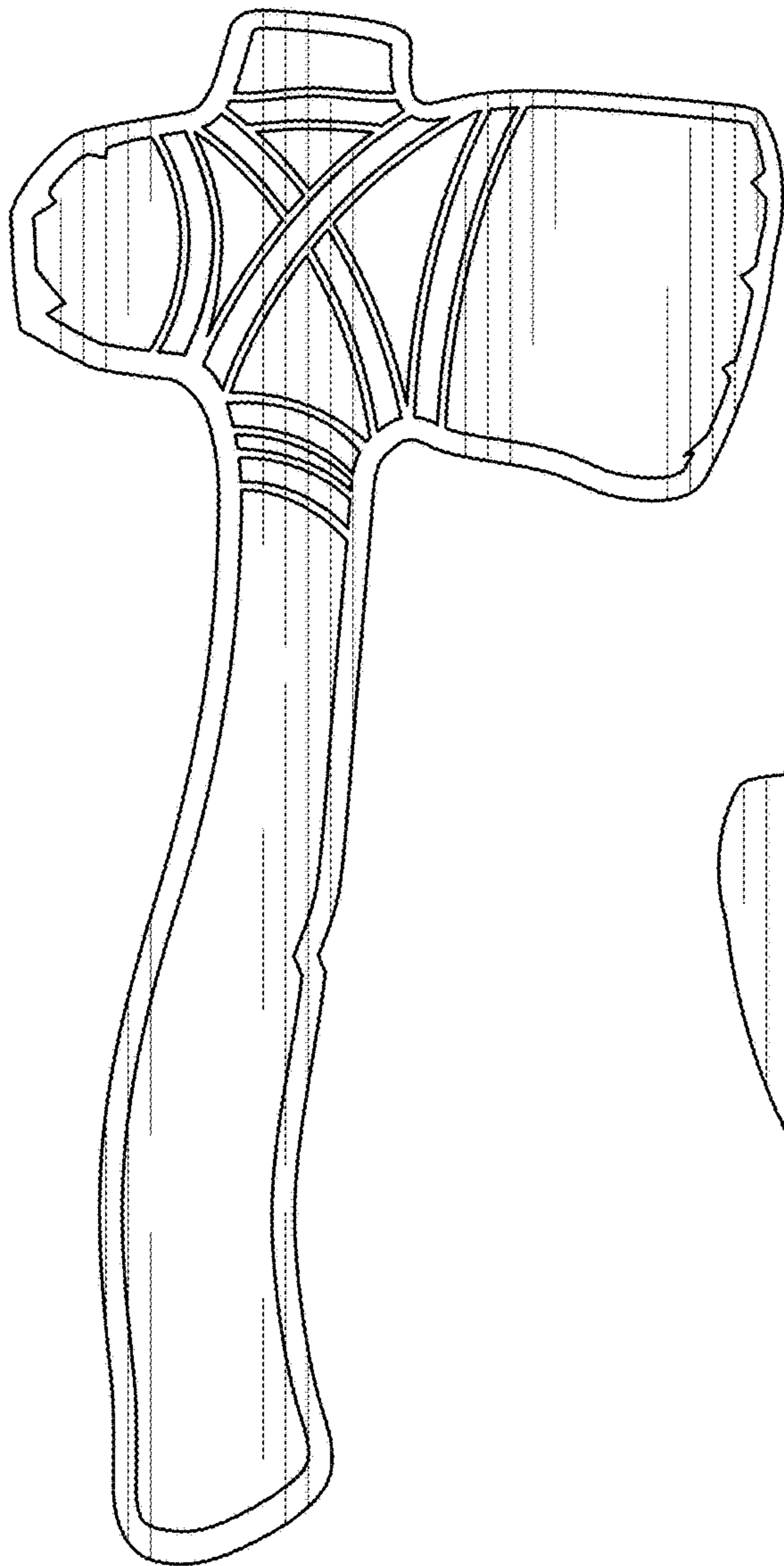


FIG. 2

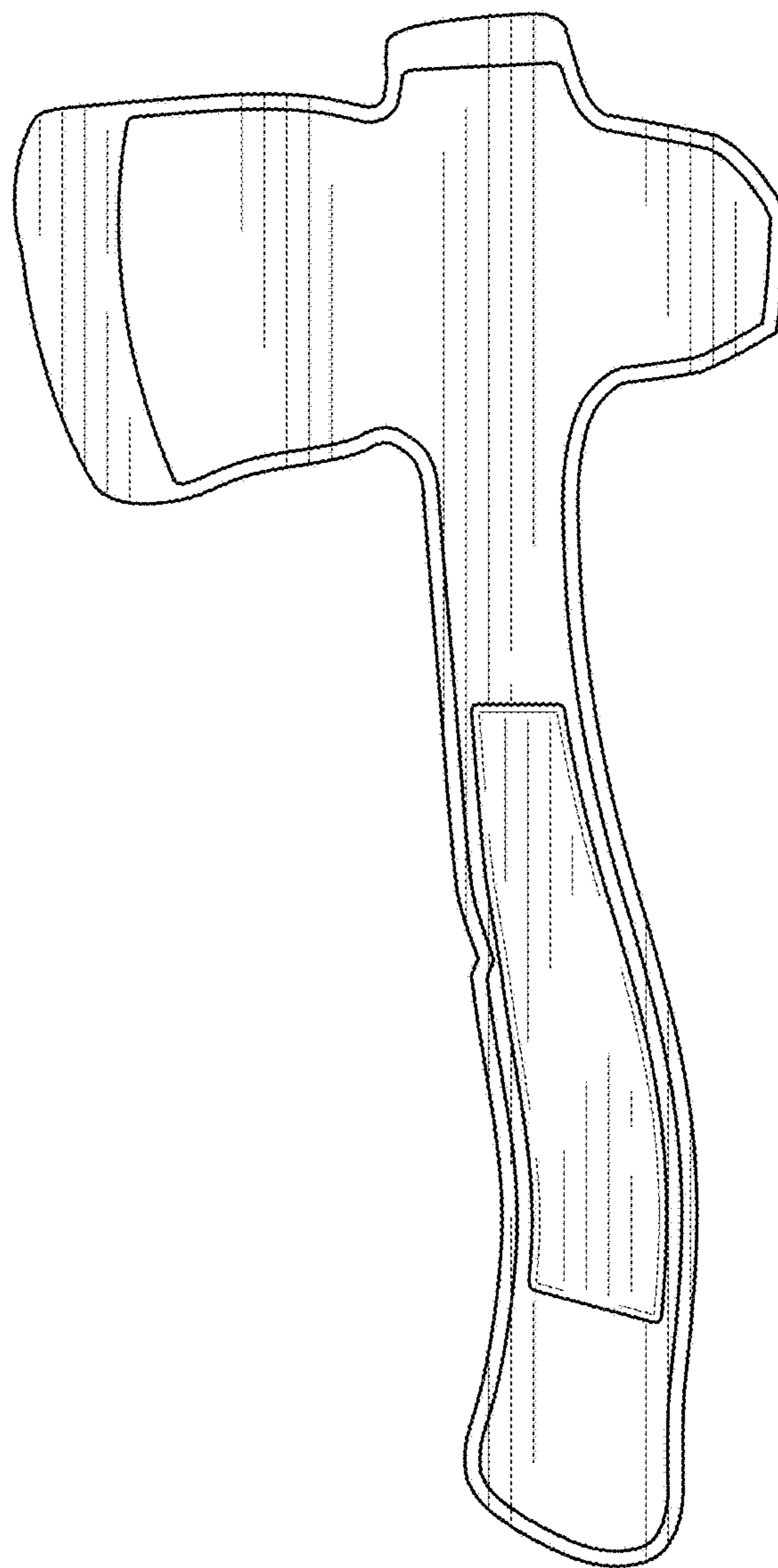


FIG. 3

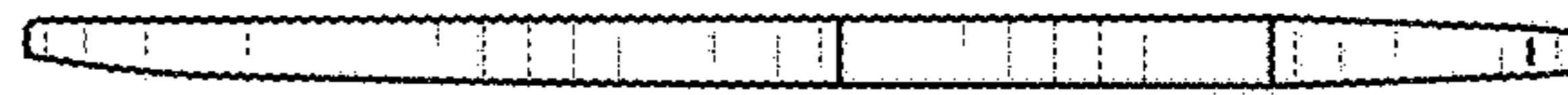


FIG. 4

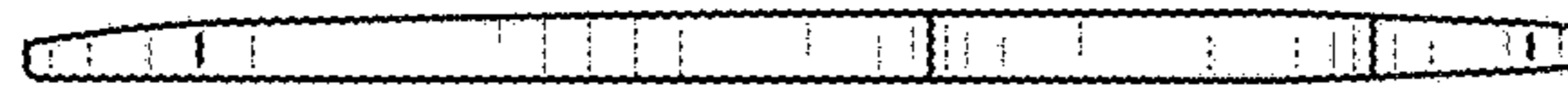


FIG. 5



FIG. 6



FIG. 7