



US00D790427S

(12) **United States Design Patent**
Palana

(10) **Patent No.:** **US D790,427 S**

(45) **Date of Patent:** **** Jun. 27, 2017**

(54) **AUTOMOTIVE WHEEL**

(71) Applicant: **Design Infini, Inc.**

(72) Inventor: **Morris Calzado Palana**, Los Angeles, CA (US)

(73) Assignee: **DESIGN INFINI, INC.**, Corona, CA (US)

(**) Term: **15 Years**

(21) Appl. No.: **29/544,122**

(22) Filed: **Oct. 30, 2015**

(51) **LOC (10) Cl.** **12-16**

(52) **U.S. Cl.**

USPC **D12/211**

(58) **Field of Classification Search**

USPC D12/204–213

CPC B60B 7/00; B60B 7/01; B60B 7/02; B60B 7/04; B60B 7/06; B60B 3/02; B60B 3/04; B60B 3/06; B60B 3/10; B60B 1/00; B60B 1/08; B60B 1/10; B60B 1/12

See application file for complete search history.

(56) **References Cited**

U.S. PATENT DOCUMENTS

5,988,762 A * 11/1999 Asada B60B 7/02
264/266
D582,829 S * 12/2008 Musser D12/211

D590,315 S * 4/2009 Chung D12/209
D633,028 S * 2/2011 Kim D12/211
D704,124 S * 5/2014 Hale, Jr. D12/211
D711,807 S * 8/2014 Hale D12/209
D726,630 S * 4/2015 Kong D12/211
D727,829 S * 4/2015 Chung D12/211
D737,191 S * 8/2015 Chung D12/211
D741,770 S * 10/2015 Kim D12/209
D751,489 S * 3/2016 Chung D12/213
D758,941 S * 6/2016 Zhao D12/208
D763,163 S * 8/2016 Chung D12/211
2016/0159142 A1* 6/2016 Whitten B60B 7/066
301/108.1

* cited by examiner

Primary Examiner — Sandra Snapp

Assistant Examiner — Katherine Glennon

(57) **CLAIM**

The ornamental design for an automotive wheel, as shown and described.

DESCRIPTION

FIG. 1 is a perspective view of a first embodiment of an automotive wheel, showing my new design;

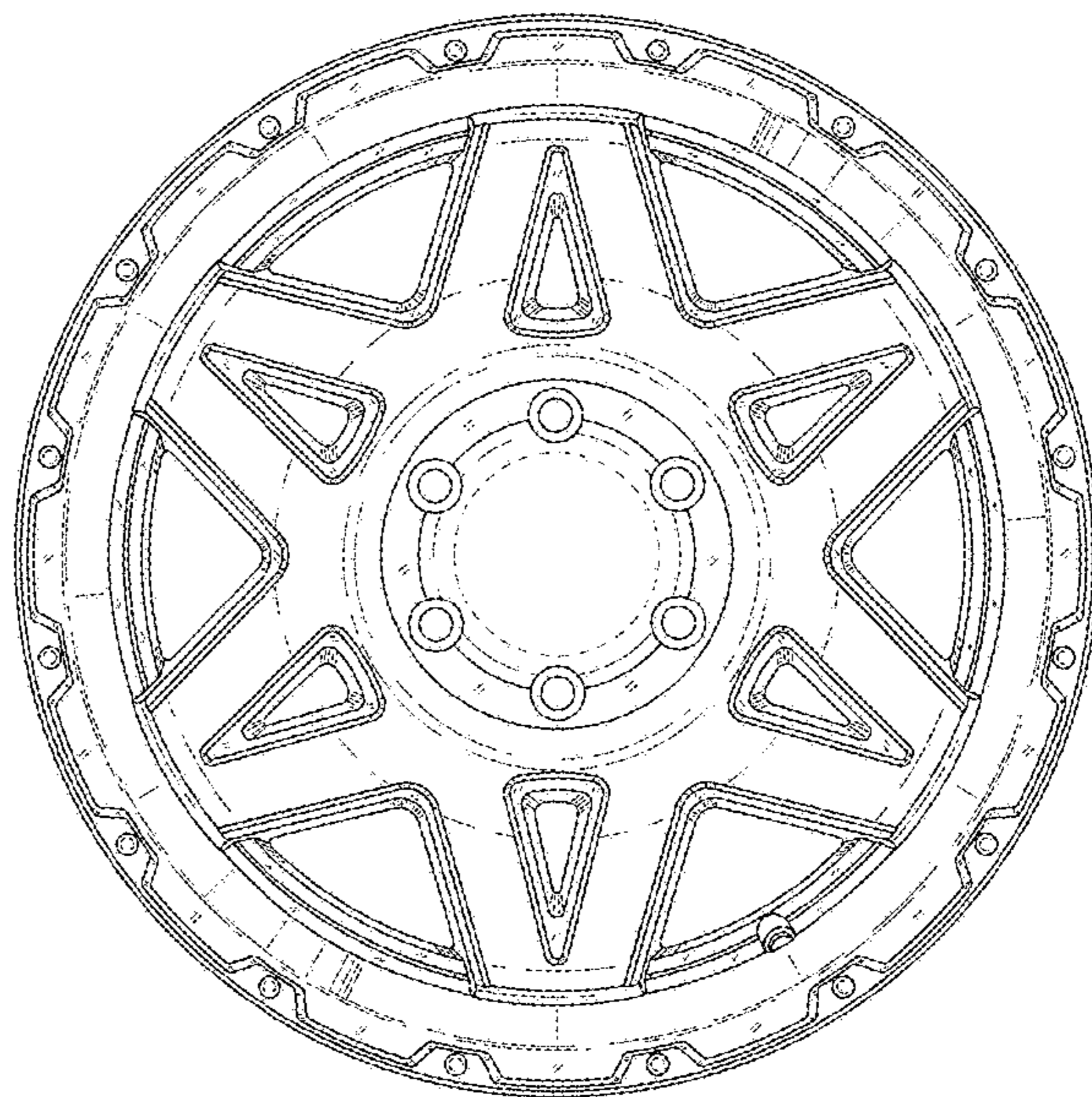
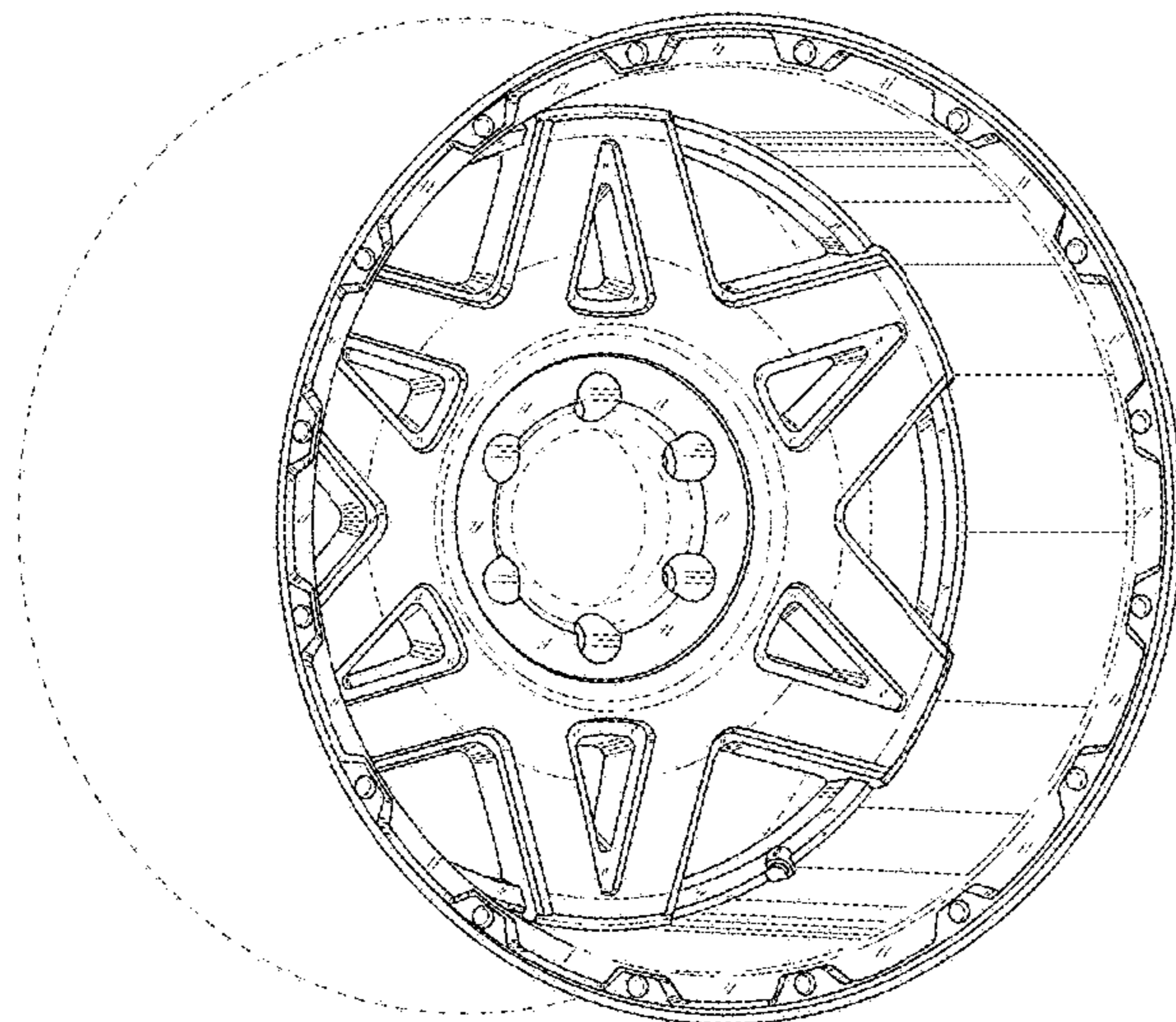
FIG. 2 is a front view thereof;

FIG. 3 is a perspective view of a second embodiment of an automotive wheel, showing my new design; and,

FIG. 4 is a front view thereof.

The broken line showing of the rear portion of the wheel is included for the purpose of illustrating environment and forms no part of the the claimed design.

1 Claim, 4 Drawing Sheets



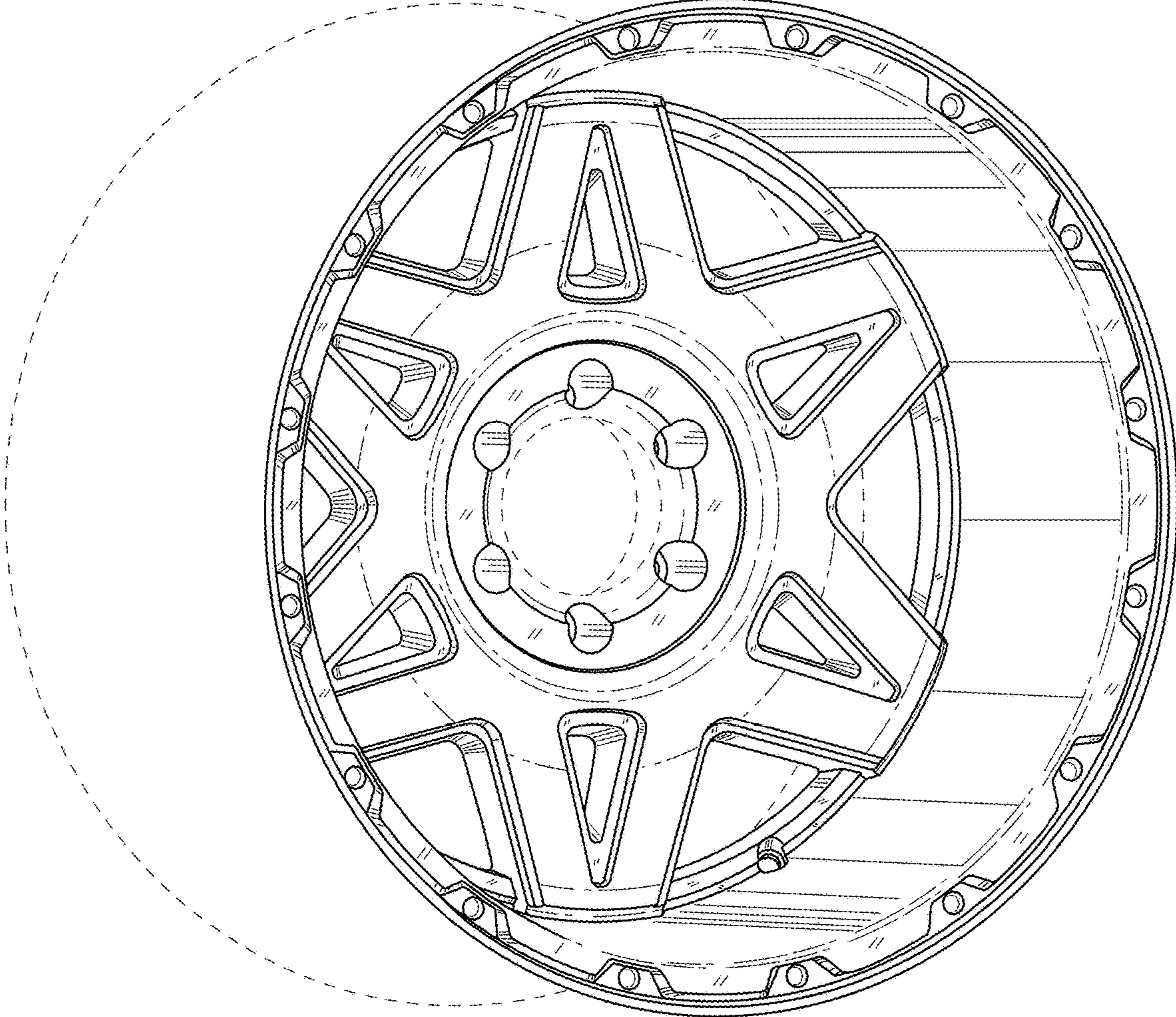


FIGURE 1

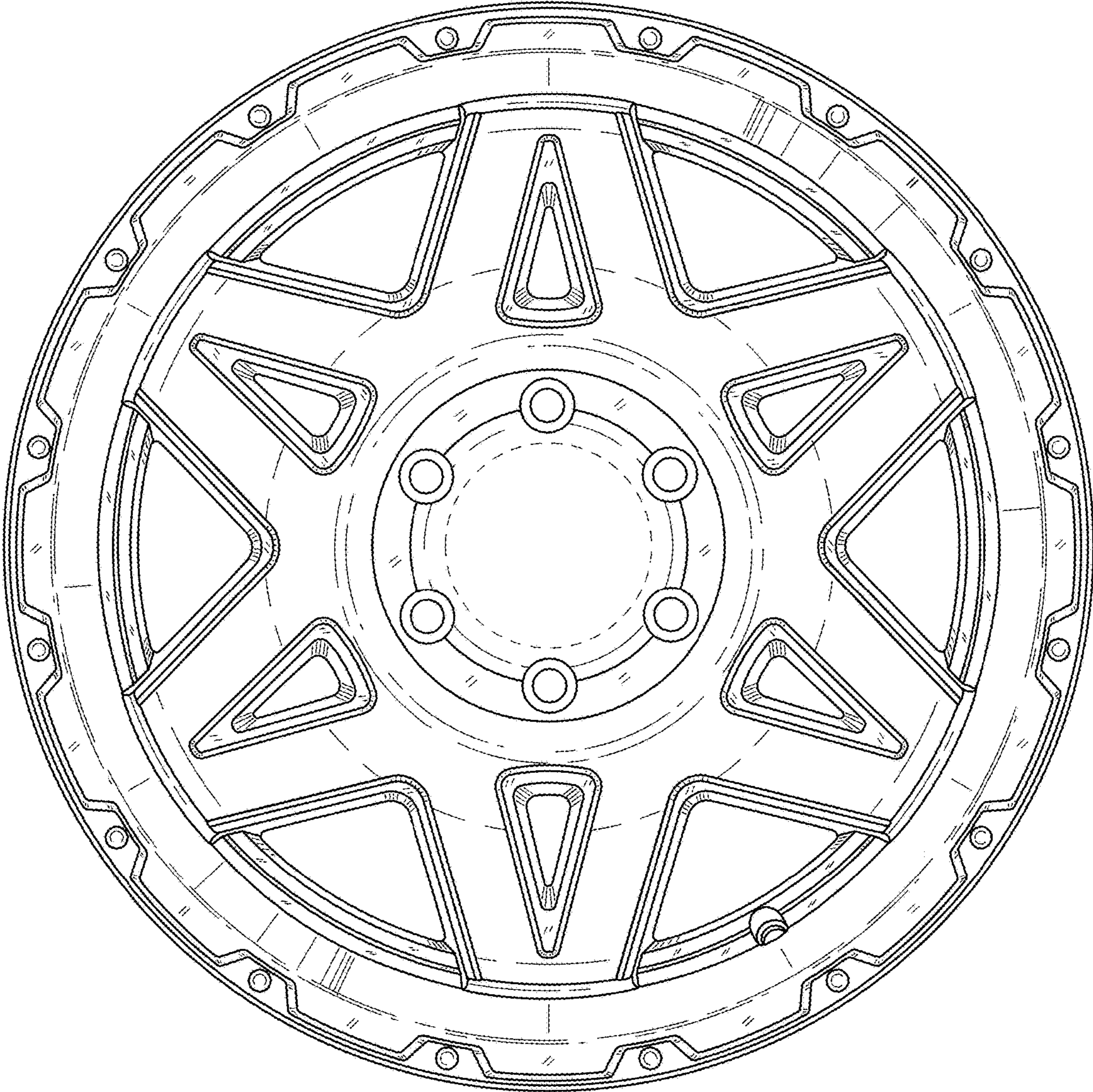


FIGURE 2

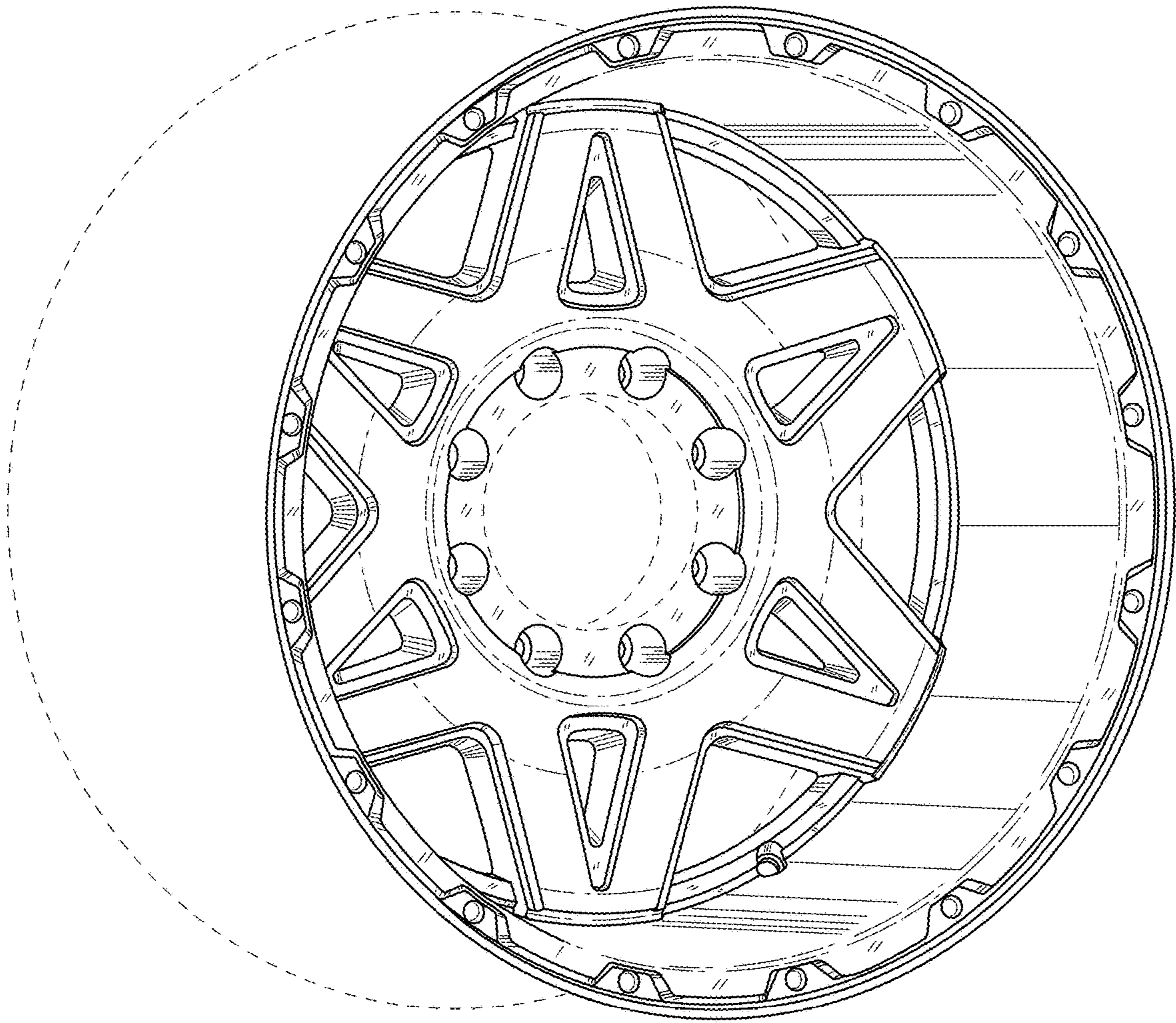


FIGURE 3

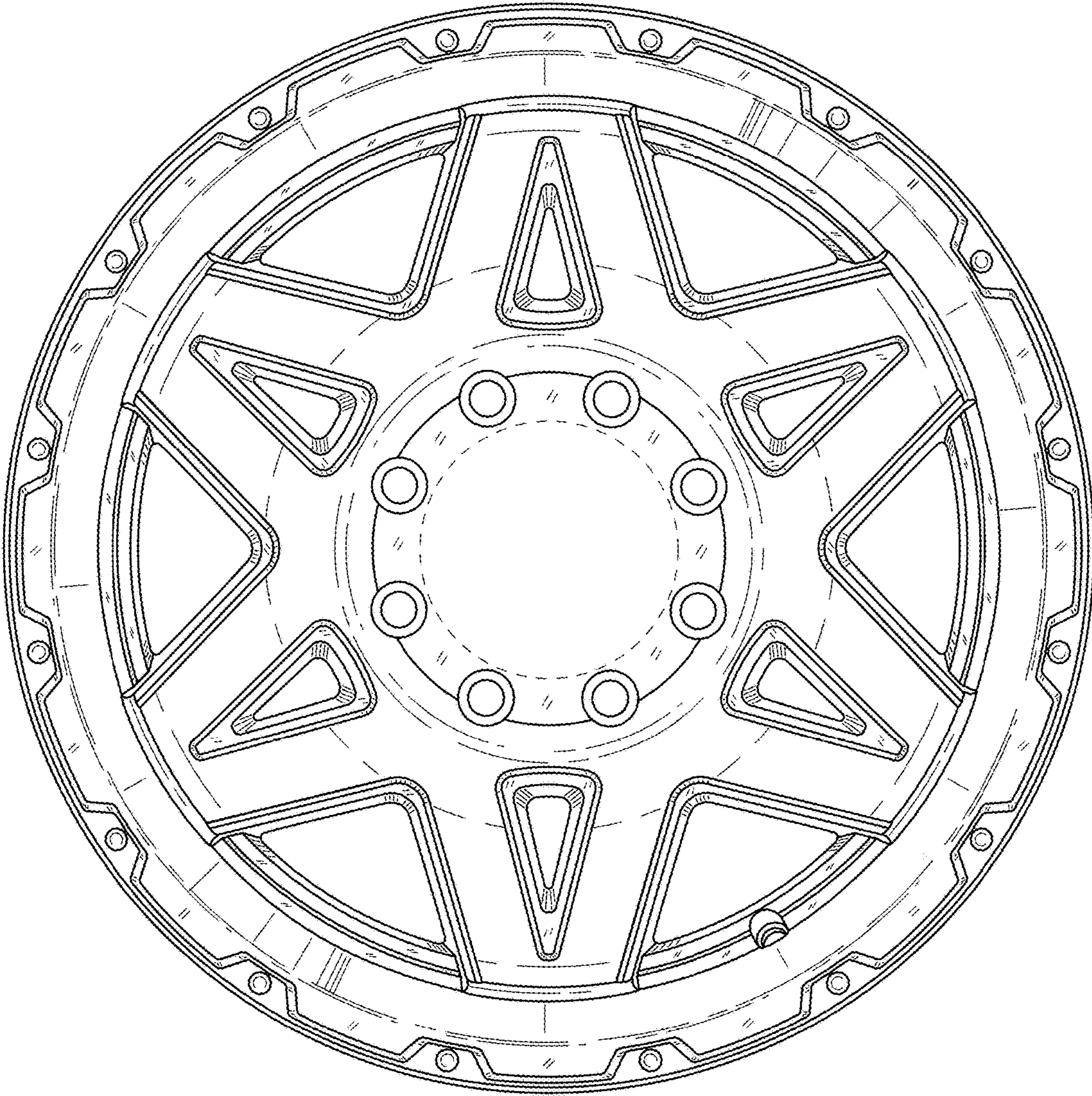


FIGURE 4