



US00D790425S

(12) **United States Design Patent**
Johnson

(10) **Patent No.:** **US D790,425 S**

(45) **Date of Patent:** **** Jun. 27, 2017**

(54) **AUTOMOTIVE WHEEL**

(71) Applicant: **Kelly R. Johnson**, City of Industry, CA (US)

(72) Inventor: **Kelly R. Johnson**, City of Industry, CA (US)

(73) Assignee: **WHEEL GROUP HOLDINGS, LLC**, Ontario, CA (US)

(**) Term: **15 Years**

(21) Appl. No.: **29/577,190**

(22) Filed: **Sep. 9, 2016**

(51) **LOC (10) Cl.** **12-16**

(52) **U.S. Cl.**
USPC **D12/209**

(58) **Field of Classification Search**
USPC D12/204-213
CPC B60B 7/00; B60B 7/02; B60B 7/04; B60B 7/01; B60B 7/06; B60B 3/02; B60B 3/04; B60B 3/06; B60B 3/10; B60B 1/00; B60B 1/08; B60B 1/10; B60B 1/12
See application file for complete search history.

(56) **References Cited**

U.S. PATENT DOCUMENTS

D445,078 S	*	7/2001	Chung	D12/209
D527,699 S	*	9/2006	Kiesel	D12/209
D567,732 S	*	4/2008	Chung	D12/209

D629,347 S	*	12/2010	Kim	D12/211
D639,221 S	*	6/2011	Johnson	D12/209
D659,064 S	*	5/2012	Johnson	D12/209
D659,067 S	*	5/2012	Lee	D12/209
D670,222 S	*	11/2012	Chung	D12/209
D675,970 S	*	2/2013	Lee	D12/209
D695,181 S	*	12/2013	Kong	D12/209
D698,300 S	*	1/2014	Chung	D12/211
D701,480 S	*	3/2014	Kong	D12/209
D706,193 S	*	6/2014	Lee	D12/209
D707,168 S	*	6/2014	Chan	D12/209
D718,204 S	*	11/2014	Johnson	D12/209
D719,890 S	*	12/2014	Johnson	D12/209
D747,674 S	*	1/2016	Johnson	D12/209
D748,557 S	*	2/2016	Johnson	D12/209
D763,769 S	*	8/2016	Johnson	D12/211
D766,805 S	*	9/2016	Chung	D12/211

* cited by examiner

Primary Examiner — Stacia Cadmus

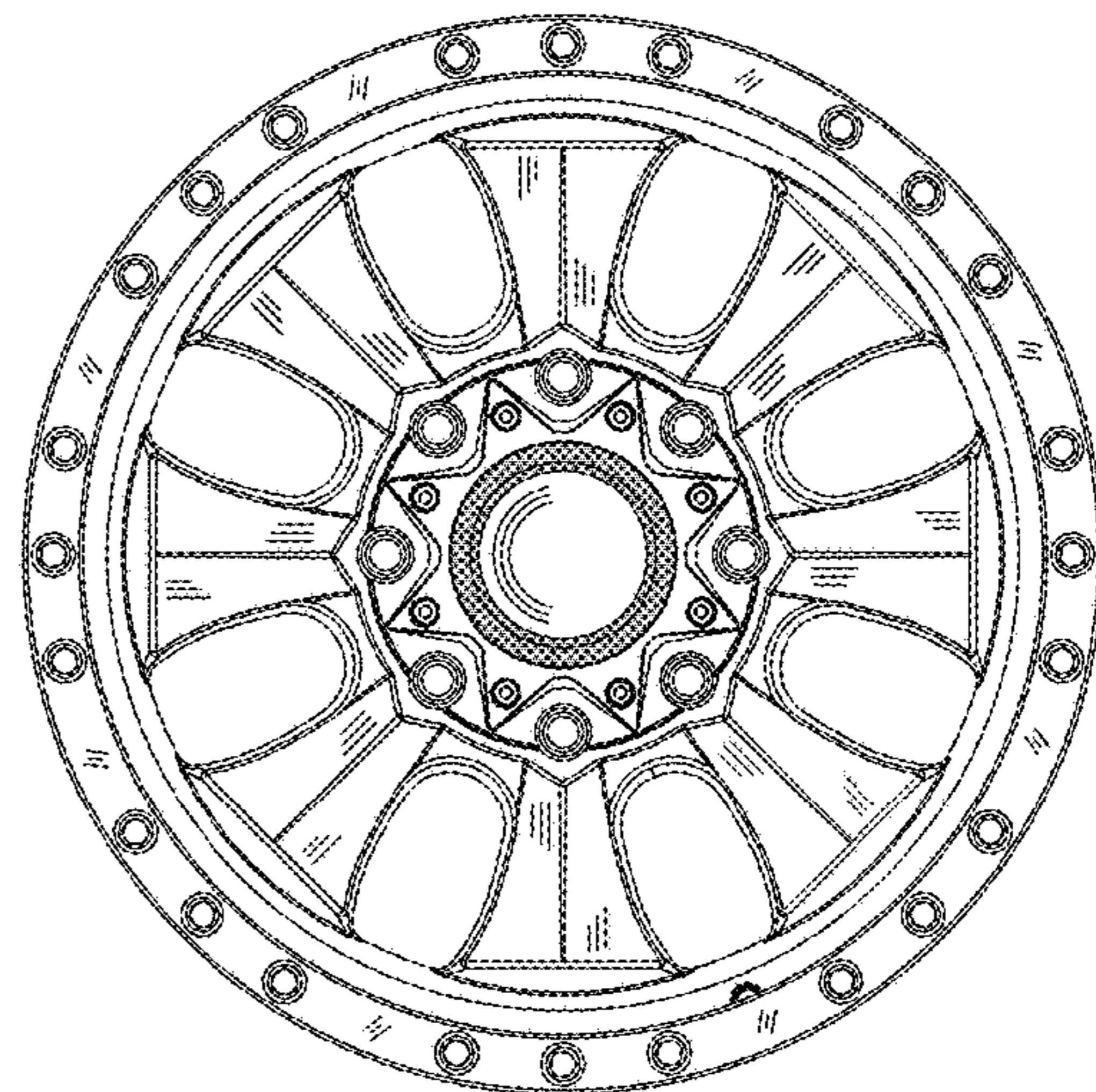
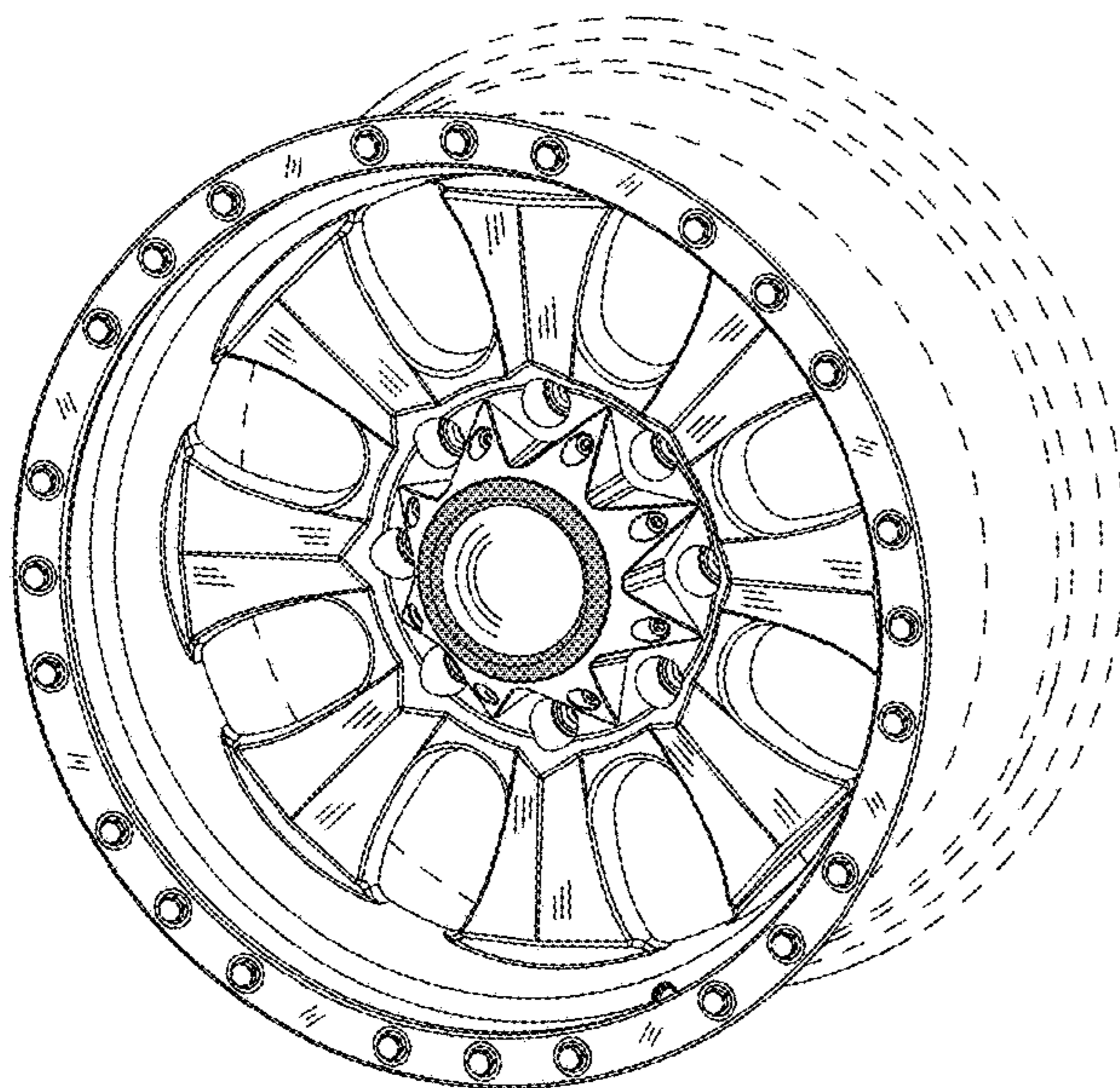
(57) **CLAIM**

The ornamental design for an automotive wheel, as show and described.

DESCRIPTION

FIG. 1 is a perspective view of an automotive wheel showing my new design; and, FIG. 2 is a front elevational view thereof. The broken line showing of the rear portion of the rim is included for the purpose of illustrating environment and forms no part of the claimed design.

1 Claim, 2 Drawing Sheets



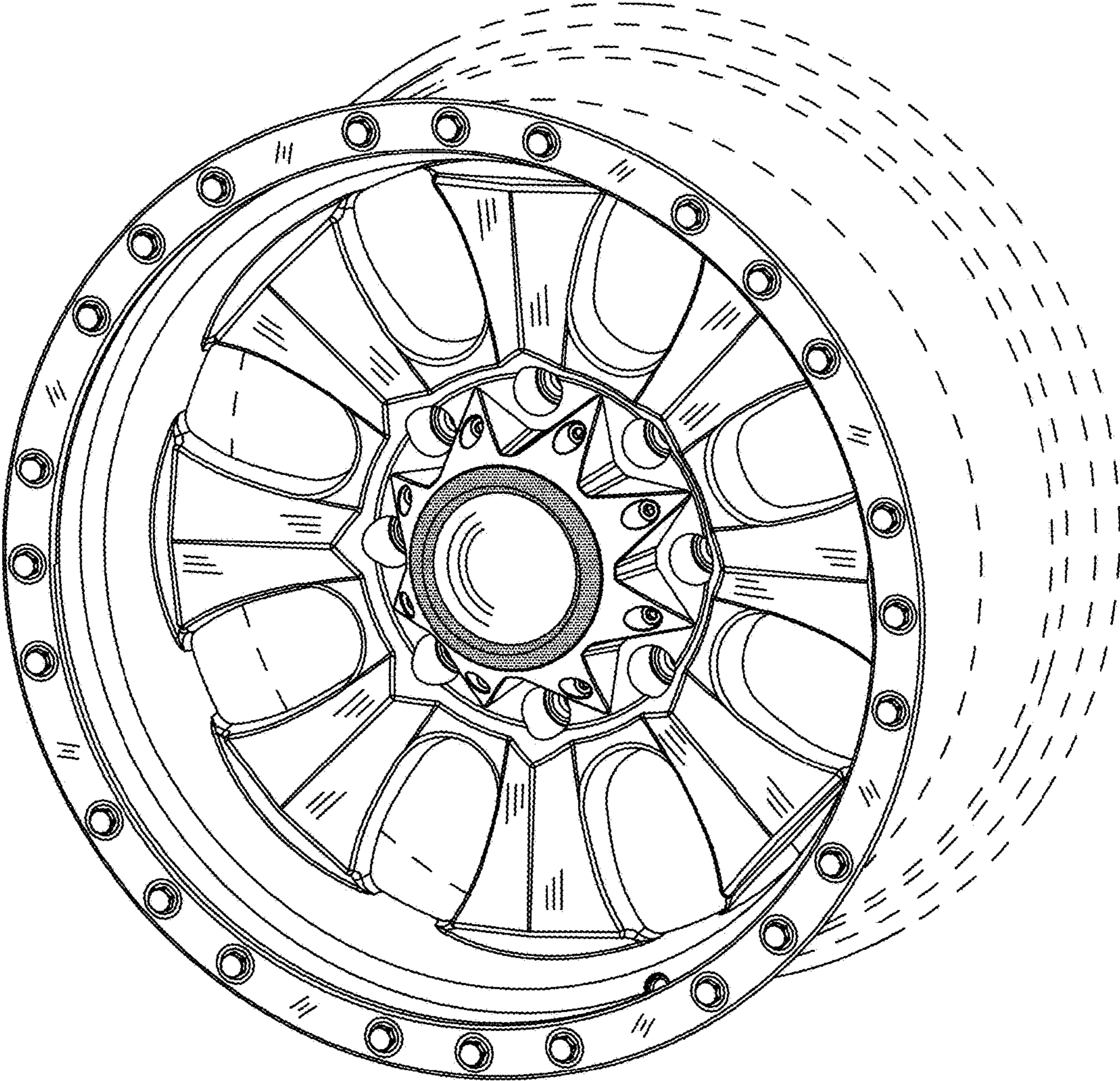


FIG.1

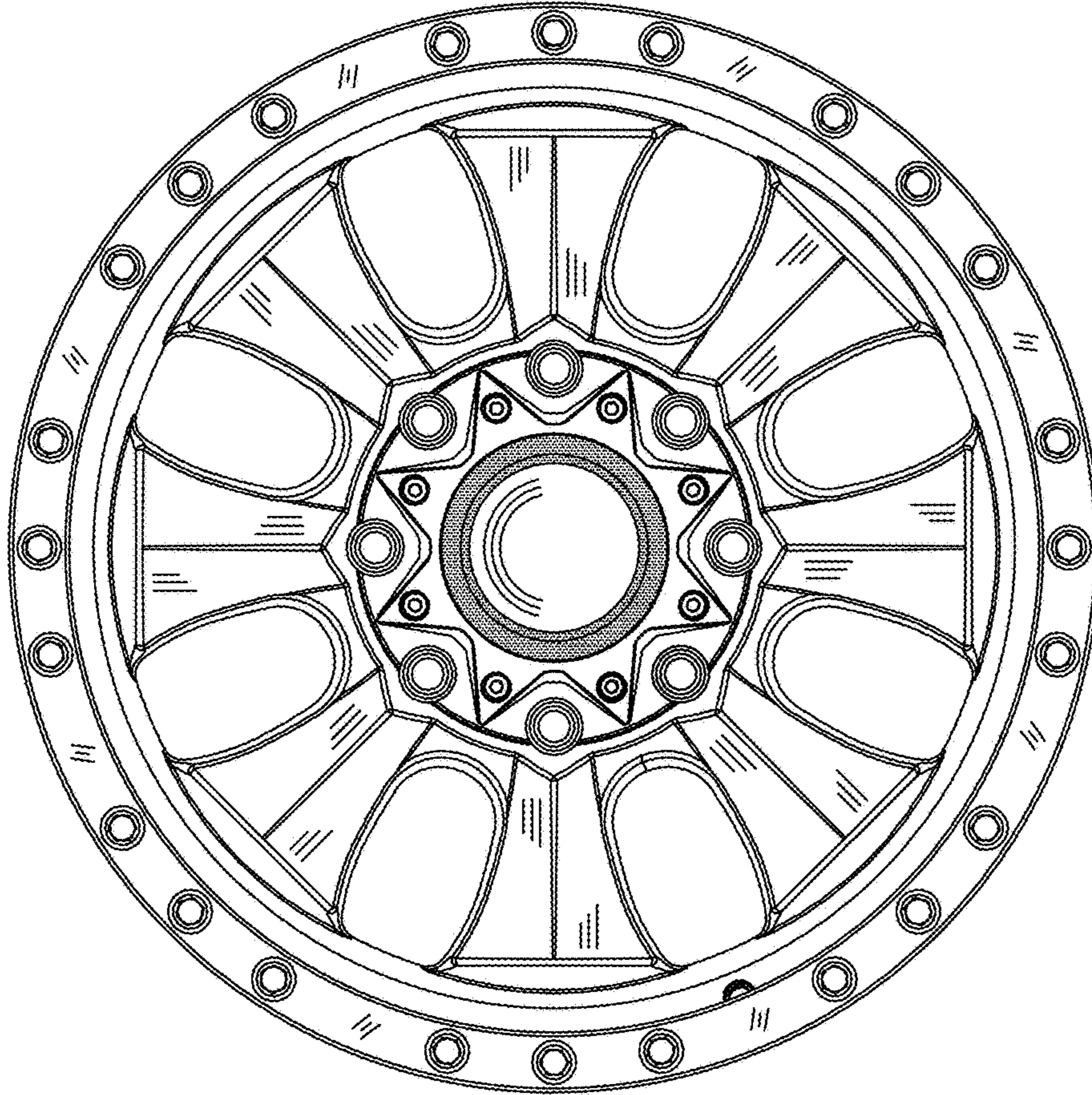


FIG.2