



US00D790422S

(12) **United States Design Patent**
Hodges

(10) **Patent No.:** **US D790,422 S**

(45) **Date of Patent:** **** Jun. 27, 2017**

(54) **WHEEL**

(71) Applicant: **Frank J. Hodges**, Corona, CA (US)

(72) Inventor: **Frank J. Hodges**, Corona, CA (US)

(**) Term: **15 Years**

(21) Appl. No.: **29/568,441**

(22) Filed: **Jun. 17, 2016**

(51) **LOC (10) Cl.** **12-16**

(52) **U.S. Cl.**
USPC **D12/209**

(58) **Field of Classification Search**
USPC D12/204–213

CPC B60B 7/00; B60B 7/02; B60B 7/04; B60B 7/01;
B60B 7/06; B60B 3/02; B60B 3/04; B60B 3/06;
B60B 3/10; B60B 1/00; B60B 1/08; B60B 1/10; B60B 1/12

See application file for complete search history.

(56) **References Cited**

U.S. PATENT DOCUMENTS

D578,947 S * 10/2008 Arora D12/209
D588,517 S * 3/2009 Aroney D12/211

D616,799 S * 6/2010 Zhao D12/209
D655,657 S * 3/2012 Juergens D12/209
D660,767 S * 5/2012 von Holzhausen D12/209
D686,132 S * 7/2013 Truebsbach D12/209
D719,892 S * 12/2014 Hodges D12/209
D723,445 S * 3/2015 Hodges D12/209
D725,568 S * 3/2015 Hodges D12/209
D730,799 S * 6/2015 Hans D12/209
D744,928 S * 12/2015 Valencia Pollex D12/209
D746,212 S * 12/2015 Valencia Pollex D12/211
D756,878 S * 5/2016 Valencia Pollex D12/209
D769,172 S * 10/2016 Ishii D12/211

* cited by examiner

Primary Examiner — Stacia Cadmus

(74) *Attorney, Agent, or Firm* — Eric B. Alspaugh

(57) **CLAIM**

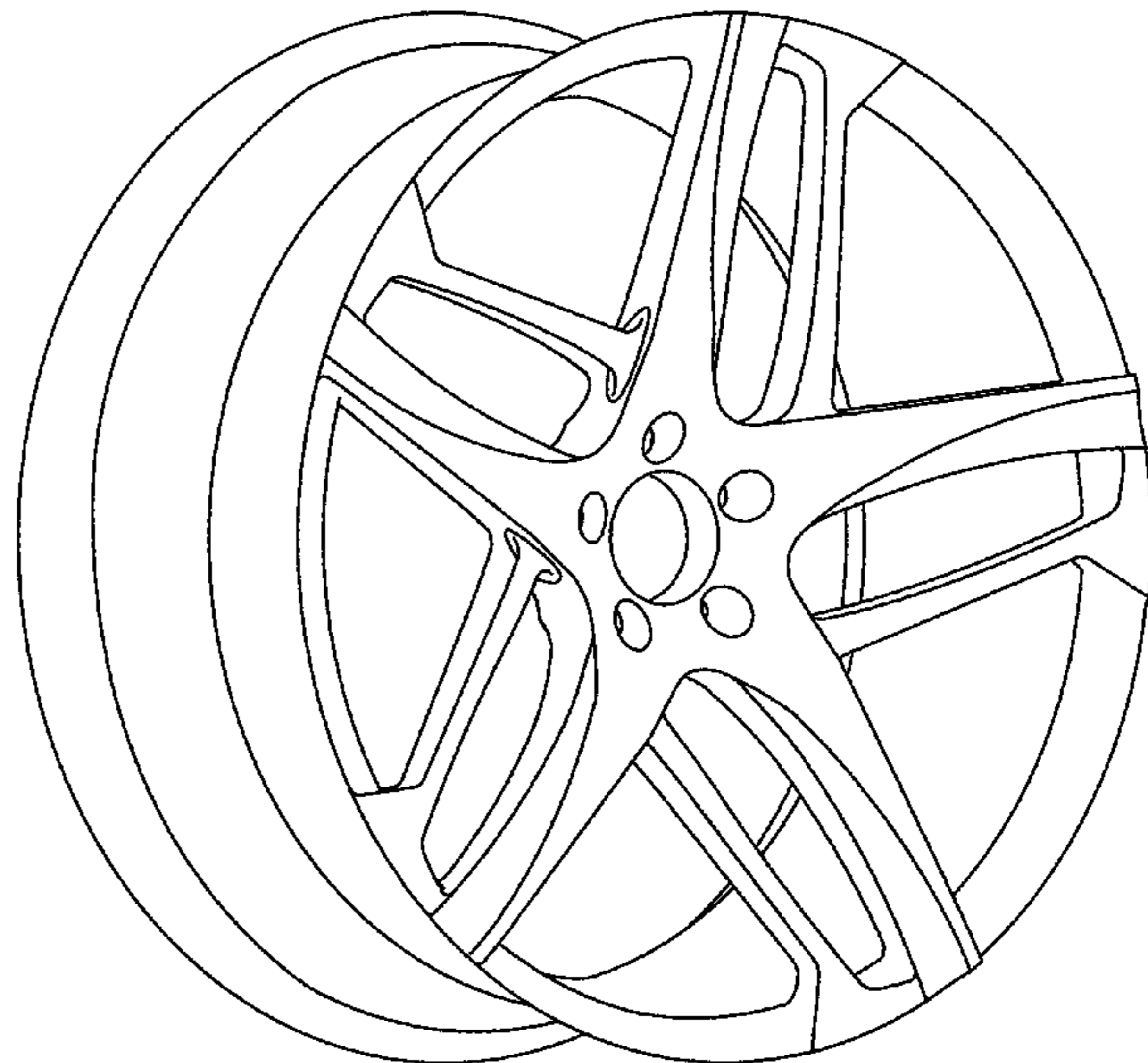
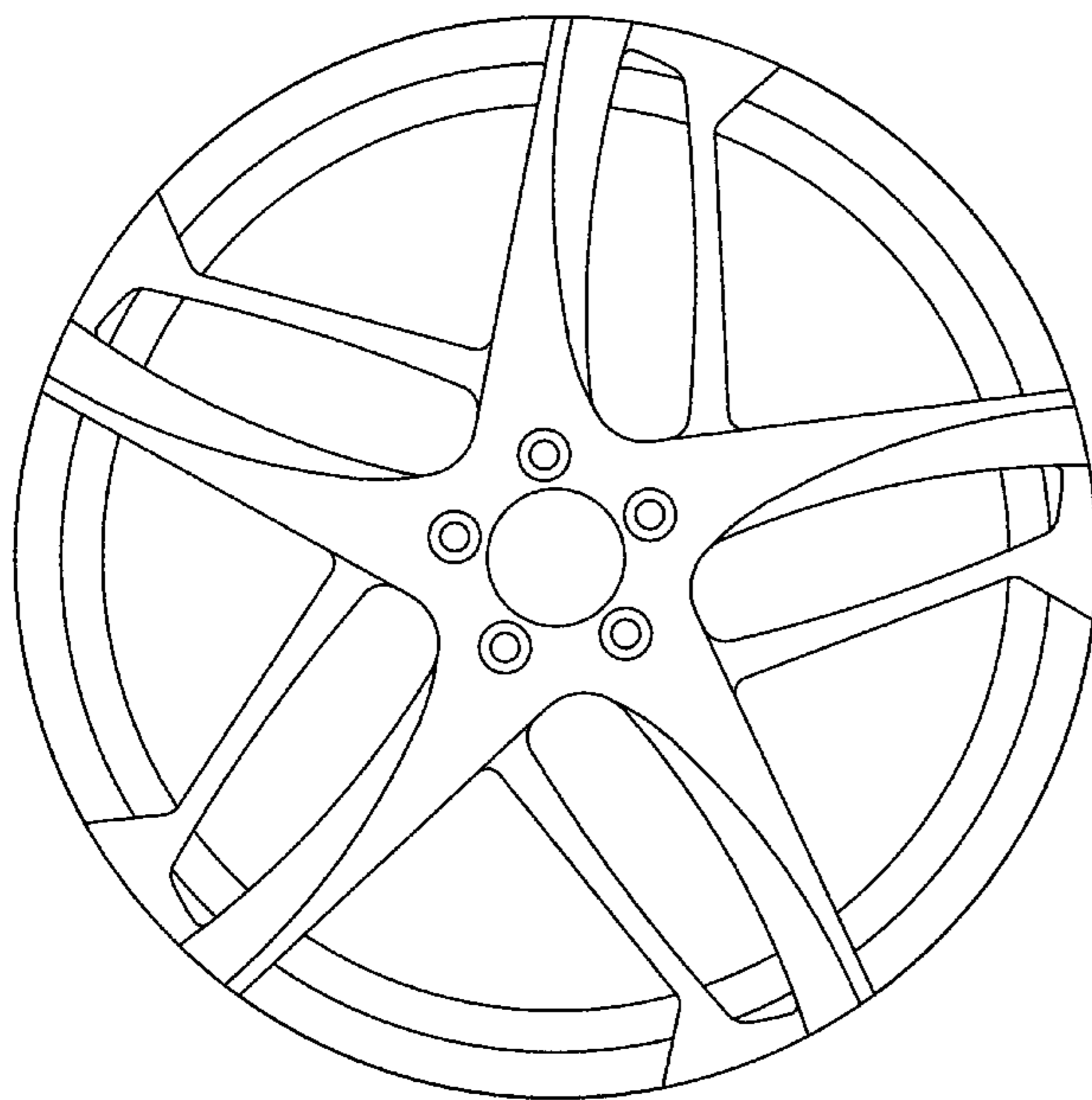
The ornamental design for a wheel, as shown and described.

DESCRIPTION

FIG. 1 is a front view of a wheel showing my new design; and,

FIG. 2 is a perspective view thereof.

1 Claim, 2 Drawing Sheets



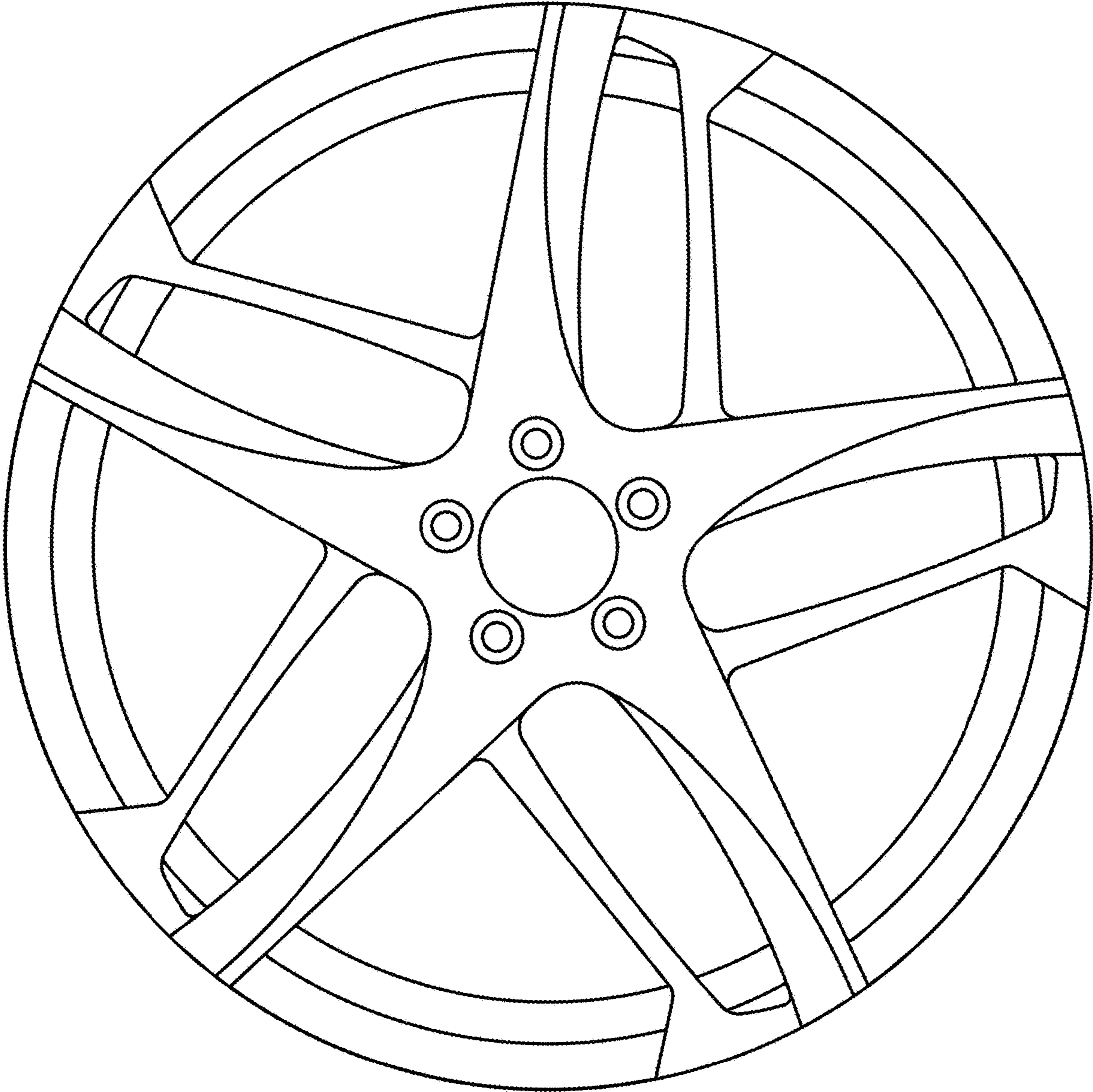


Fig. 1

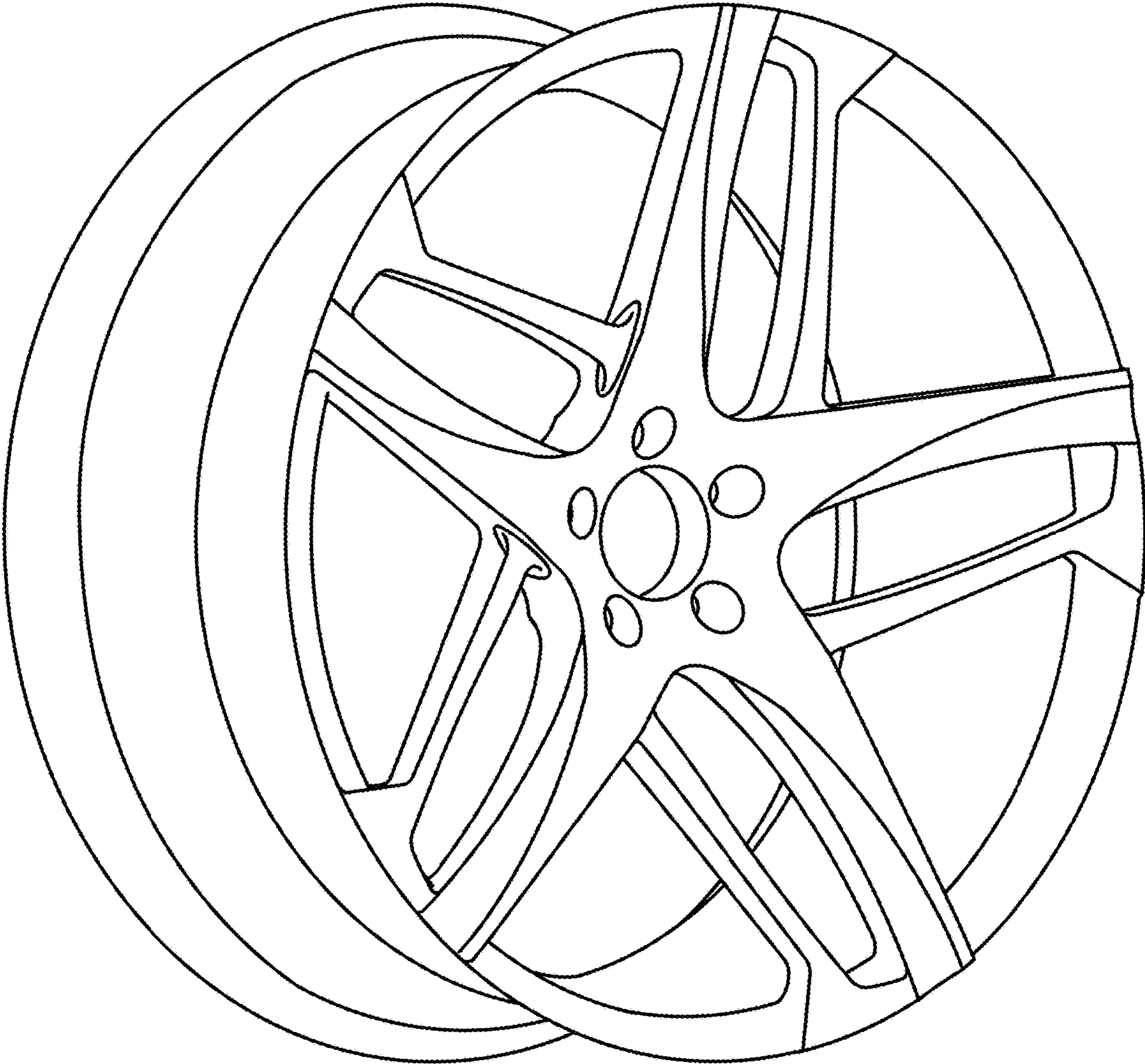


Fig. 2