



US00D790421S

(12) **United States Design Patent**
Grewer

(10) **Patent No.:** **US D790,421 S**

(45) **Date of Patent:** **** Jun. 27, 2017**

(54) **WHEEL**

(71) Applicant: **Jaguar Land Rover Limited**, Whitley,
Coventry (GB)

(72) Inventor: **Dale Grewer**, Coventry (GB)

(73) Assignee: **Jaguar Land Rover Limited**, Whitley,
Coventry (GB)

(**) Term: **15 Years**

(21) Appl. No.: **29/556,429**

(22) Filed: **Mar. 1, 2016**

(30) **Foreign Application Priority Data**

Sep. 4, 2015 (EM) 002766766

(51) **LOC (10) Cl.** **12-16**

(52) **U.S. Cl.**
USPC **D12/209**

(58) **Field of Classification Search**

USPC D12/204–213
CPC B60B 7/00; B60B 7/02; B60B 7/04; B60B
7/06; B60B 3/02; B60B 3/04; B60B 3/06;
B60B 3/10; B60B 1/00; B60B 1/08;
B60B 1/10; B60B 1/12

See application file for complete search history.

(56) **References Cited**

U.S. PATENT DOCUMENTS

D390,822 S * 2/1998 Neeper D12/209
D669,833 S * 10/2012 Pollmann D12/209
D671,475 S * 11/2012 Juergens D12/209
D682,761 S * 5/2013 Pollmann D12/209
D683,681 S * 6/2013 Juergens D12/209
D685,709 S * 7/2013 Hanaoka D12/209

D695,187 S * 12/2013 Mielke D12/209
D709,427 S * 7/2014 Clottu D12/209
D710,286 S * 8/2014 Yamaguchi D12/209
D715,209 S * 10/2014 Tovey D12/209
D725,569 S * 3/2015 Komukai D12/209
D726,086 S * 4/2015 Muntada Roura D12/209
D727,235 S * 4/2015 Hans D12/211
D729,138 S * 5/2015 Davidson D12/209
D748,553 S * 2/2016 Miyazawa D12/209
D754,047 S * 4/2016 Frascella D12/209
D762,543 S * 8/2016 Hara D12/209
D774,434 S * 12/2016 Nakahara D12/209

* cited by examiner

Primary Examiner — Stacia Cadmus

(74) *Attorney, Agent, or Firm* — Wood Herron & Evans
LLP

(57) **CLAIM**

The ornamental design for a wheel, as shown and described.

DESCRIPTION

FIG. 1 is a front left perspective view of a wheel for a vehicle according to the present invention.

FIG. 2 is a front view of the wheel shown in FIG. 1.

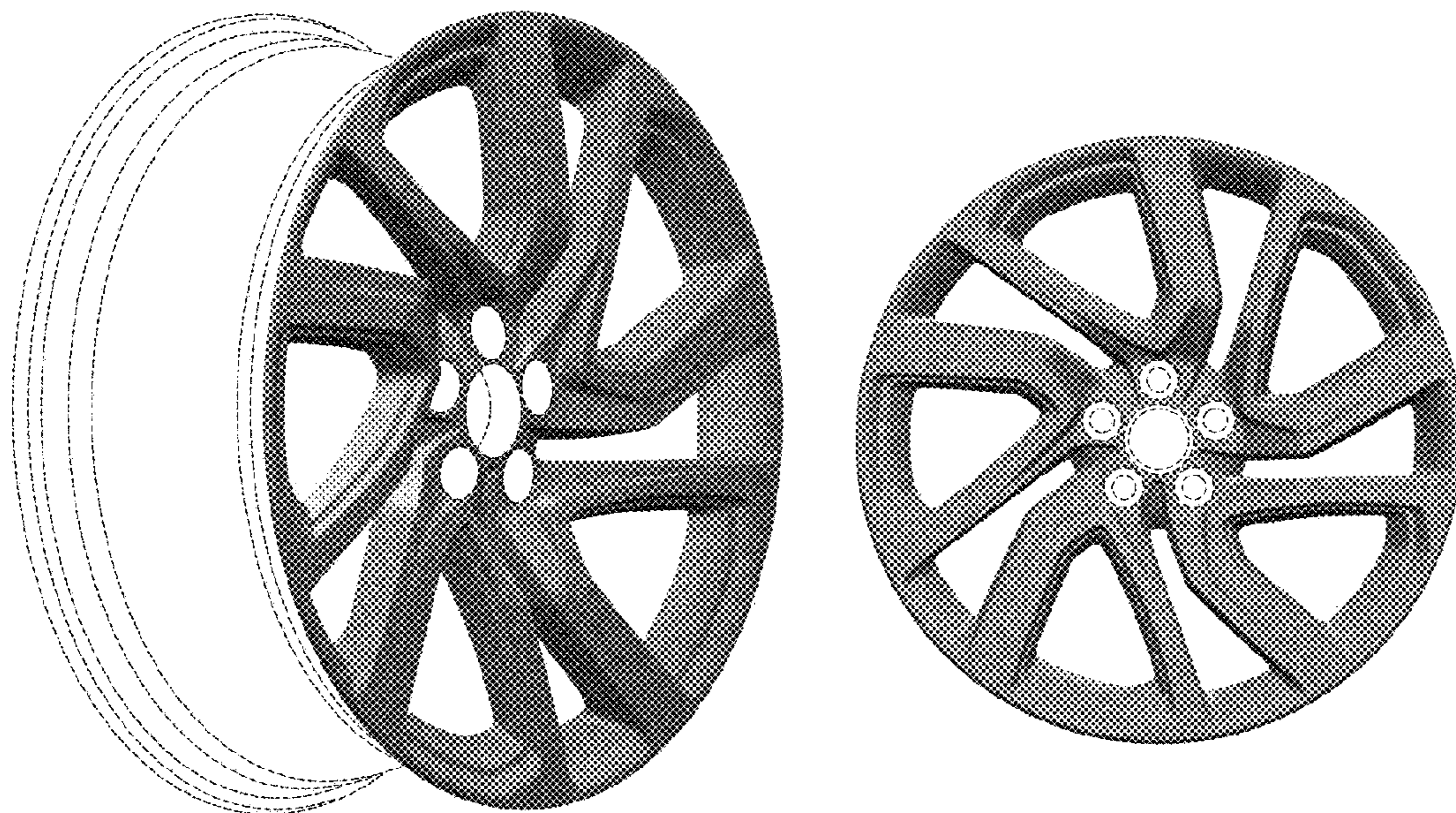
FIG. 3 is a left side view thereof, the right side view being a mirror image thereof.

FIG. 4 is a front left perspective view of a wheel for a vehicle according to a second embodiment of the present invention.

FIG. 5 is a front view of the wheel shown in FIG. 4; and, FIG. 6 is a left side view thereof, the right side view being a mirror image thereof.

The broken line showing of the rear of the rim, the valve stem hole, the bolt holes and the center hole in the central hub area is included for the purpose of illustrating environment and forms no part of the claimed design.

1 Claim, 4 Drawing Sheets



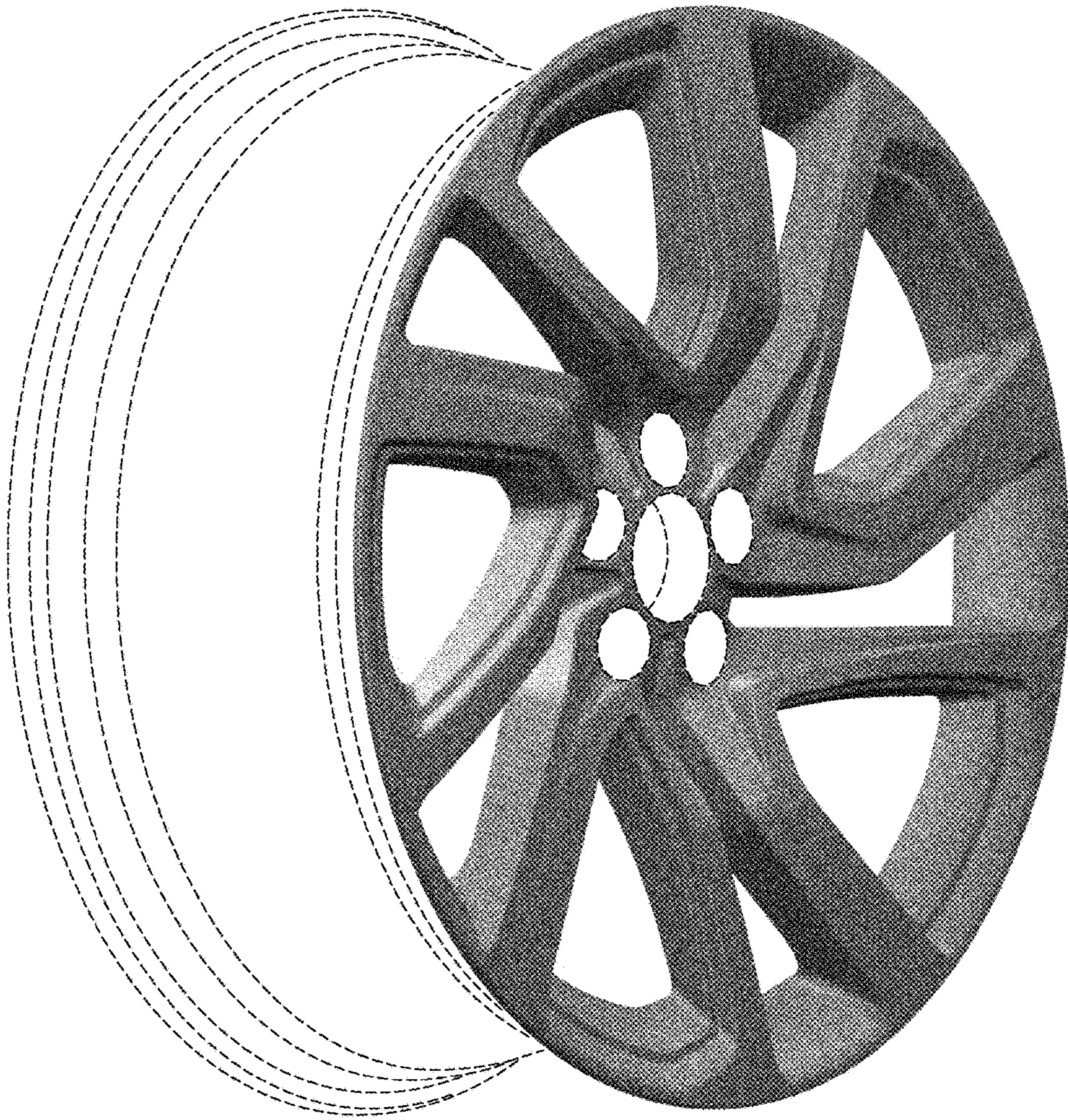


FIG. 1

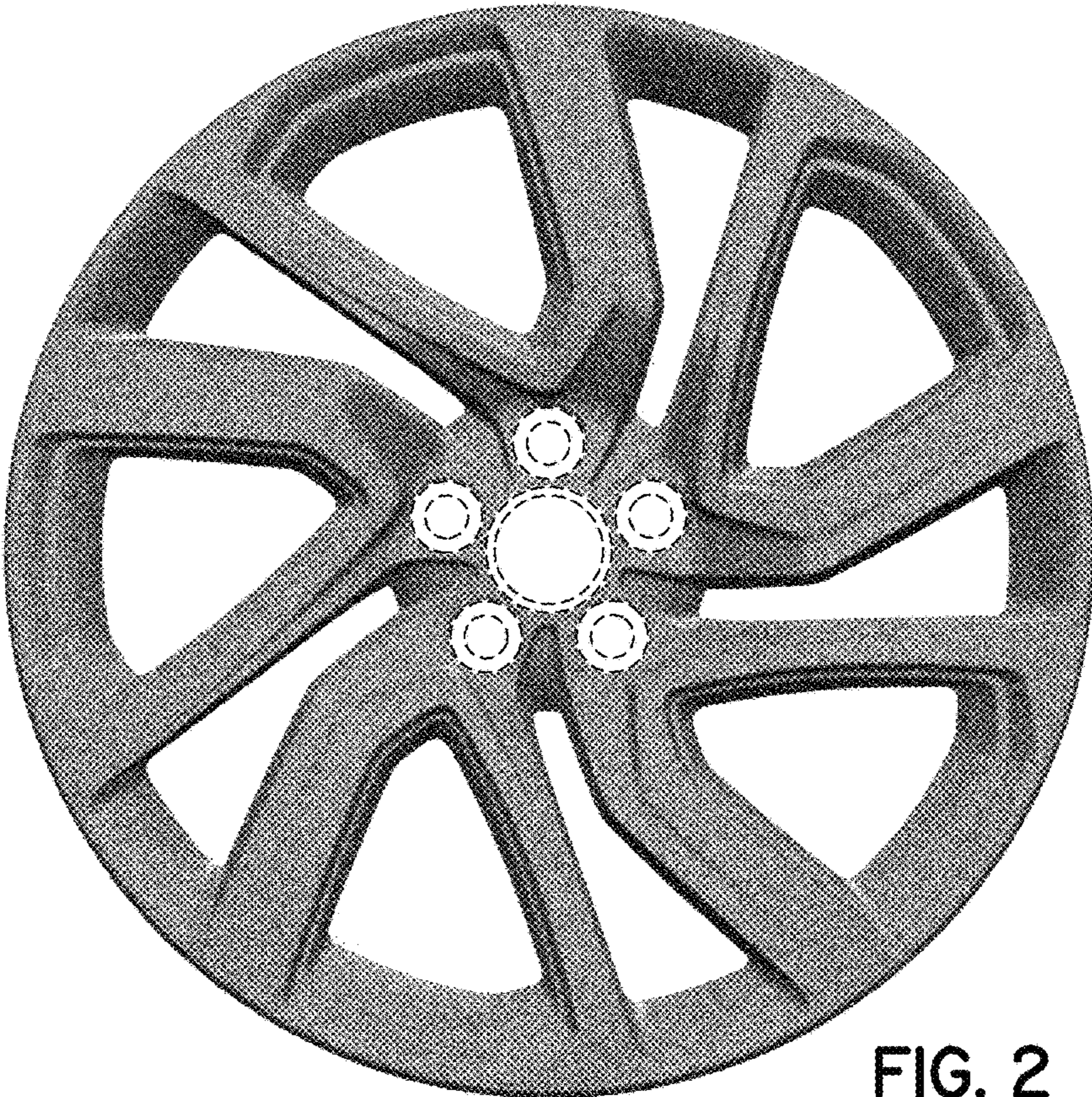


FIG. 2

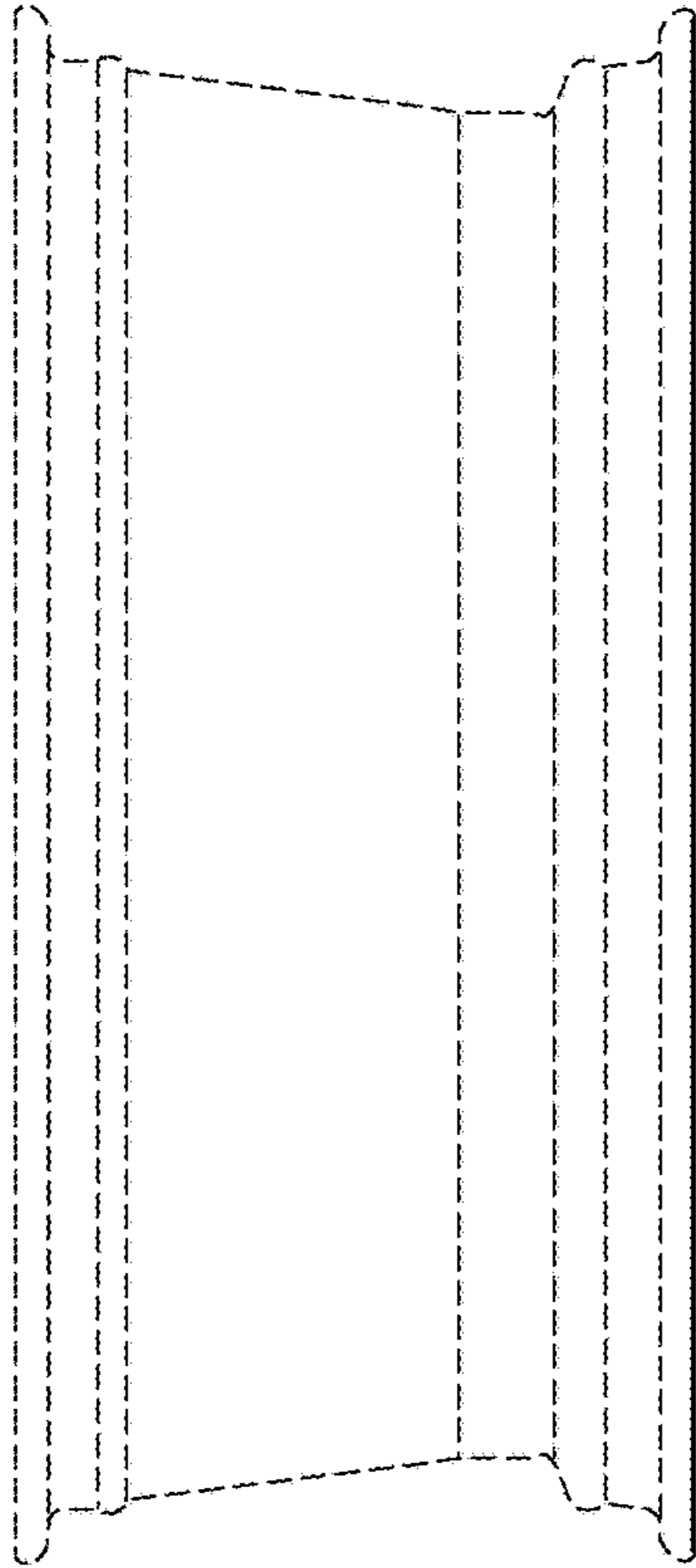


FIG. 3

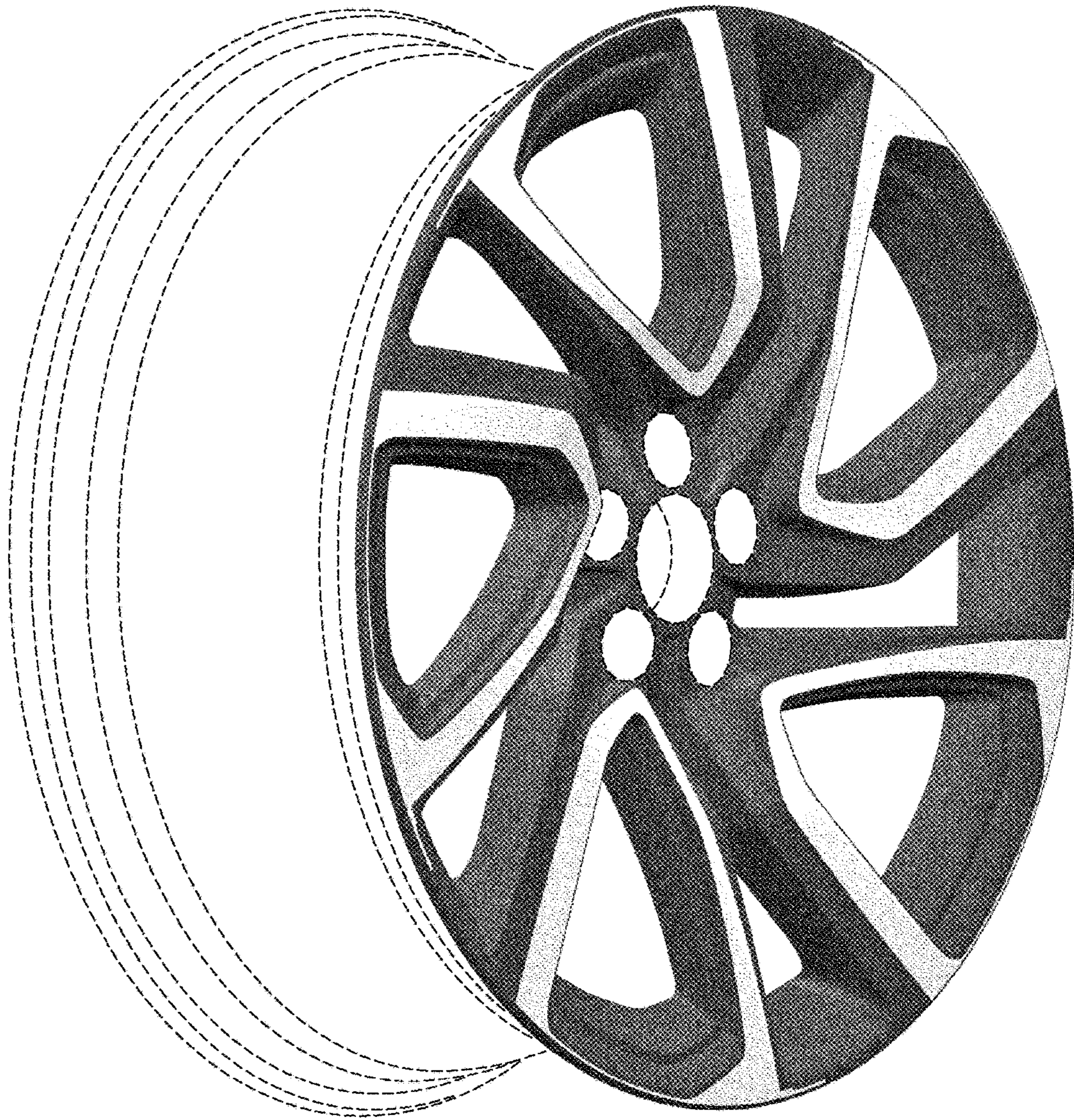


FIG. 4

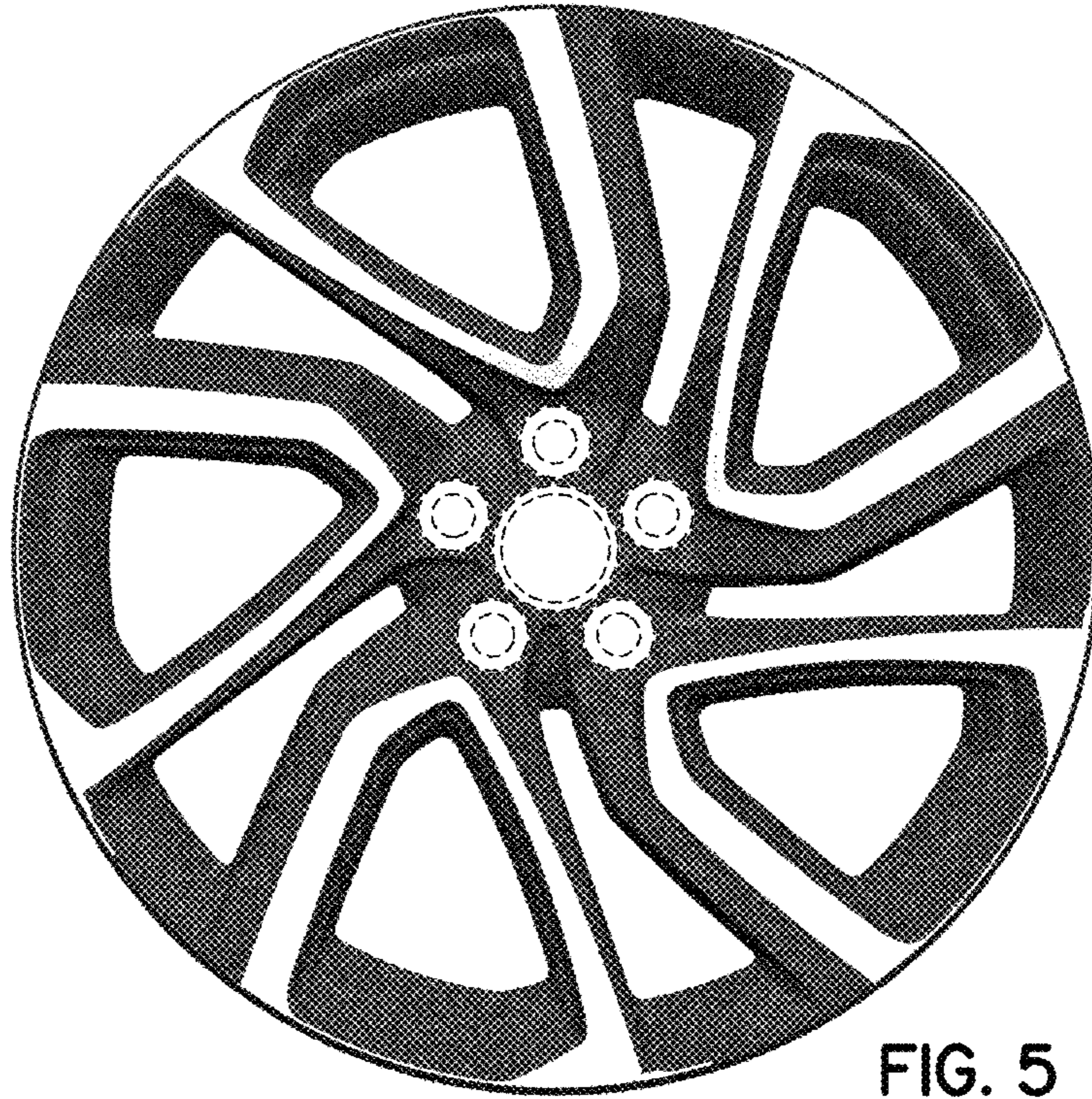


FIG. 5

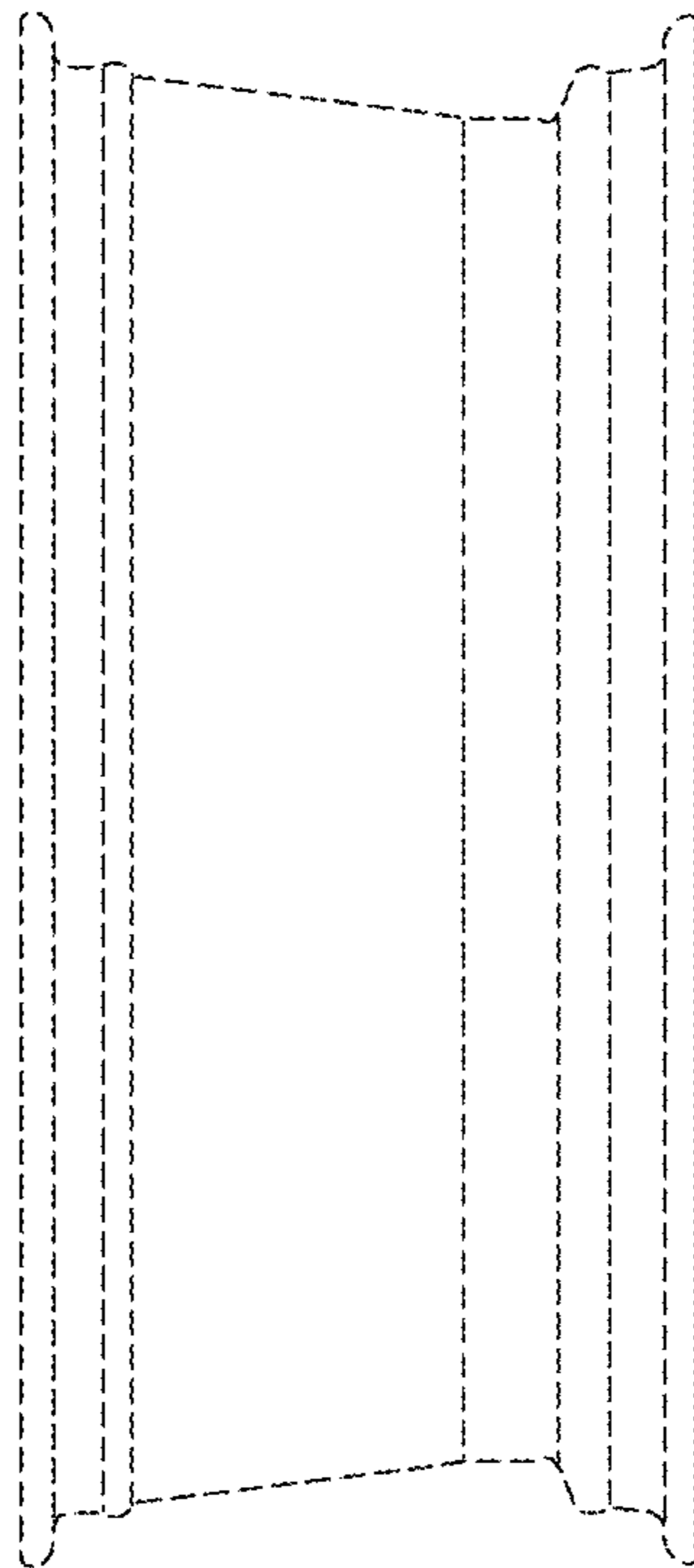


FIG. 6