

US00D790418S

(12) **United States Design Patent**
McMath

(10) **Patent No.:** **US D790,418 S**

(45) **Date of Patent:** **** Jun. 27, 2017**

(54) **PAIR OF REAR INSIDE FENDERS**

D524,203 S * 7/2006 Ichikawa D12/184

* cited by examiner

(71) Applicant: **Robert Roy McMath**, Riverside, CA
(US)

Primary Examiner — Daniel Bui

Assistant Examiner — Andrew Kerr

(72) Inventor: **Robert Roy McMath**, Riverside, CA
(US)

(74) *Attorney, Agent, or Firm* — Curtis L. Harrington;
Harrington & Harrington

(**) Term: **15 Years**

(57) **CLAIM**

(21) Appl. No.: **29/553,699**

The ornamental design for a pair of rear inside fenders, as shown and described.

(22) Filed: **Feb. 3, 2016**

DESCRIPTION

(51) **LOC (10) Cl.** **12-08**

(52) **U.S. Cl.**
USPC **D12/181**

(58) **Field of Classification Search**
USPC D12/181, 184; 280/847, 849, 727
CPC B62D 25/184; B62D 25/14; B62D 25/182;
B62D 25/18

FIG. 1 is a front side perspective view of a pair of rear inside fenders, in use condition showing my new design; FIG. 2 is a top, front side view thereof; FIG. 3 is a front side elevation view thereof; FIG. 4 is a rear side elevation view thereof; FIG. 5 is left side elevation view thereof; FIG. 6 is a right side elevation view thereof; FIG. 7 is a top plan view thereof; and, FIG. 8 is a bottom plan view thereof.

See application file for complete search history.

The dash-dash even broken lines illustrate and surround portions of the pair of rear inside fenders that form no part of the claimed design. The dash-dot-dot broken lines shown in the drawings illustrate vehicle environmental subject matter which forms no part of the claimed design.

(56) **References Cited**

U.S. PATENT DOCUMENTS

D252,458 S * 7/1979 Laine D12/184
D252,459 S * 7/1979 Laine D12/184
D286,867 S * 11/1986 Envall D12/184
D286,868 S * 11/1986 Envall D12/184

1 Claim, 3 Drawing Sheets

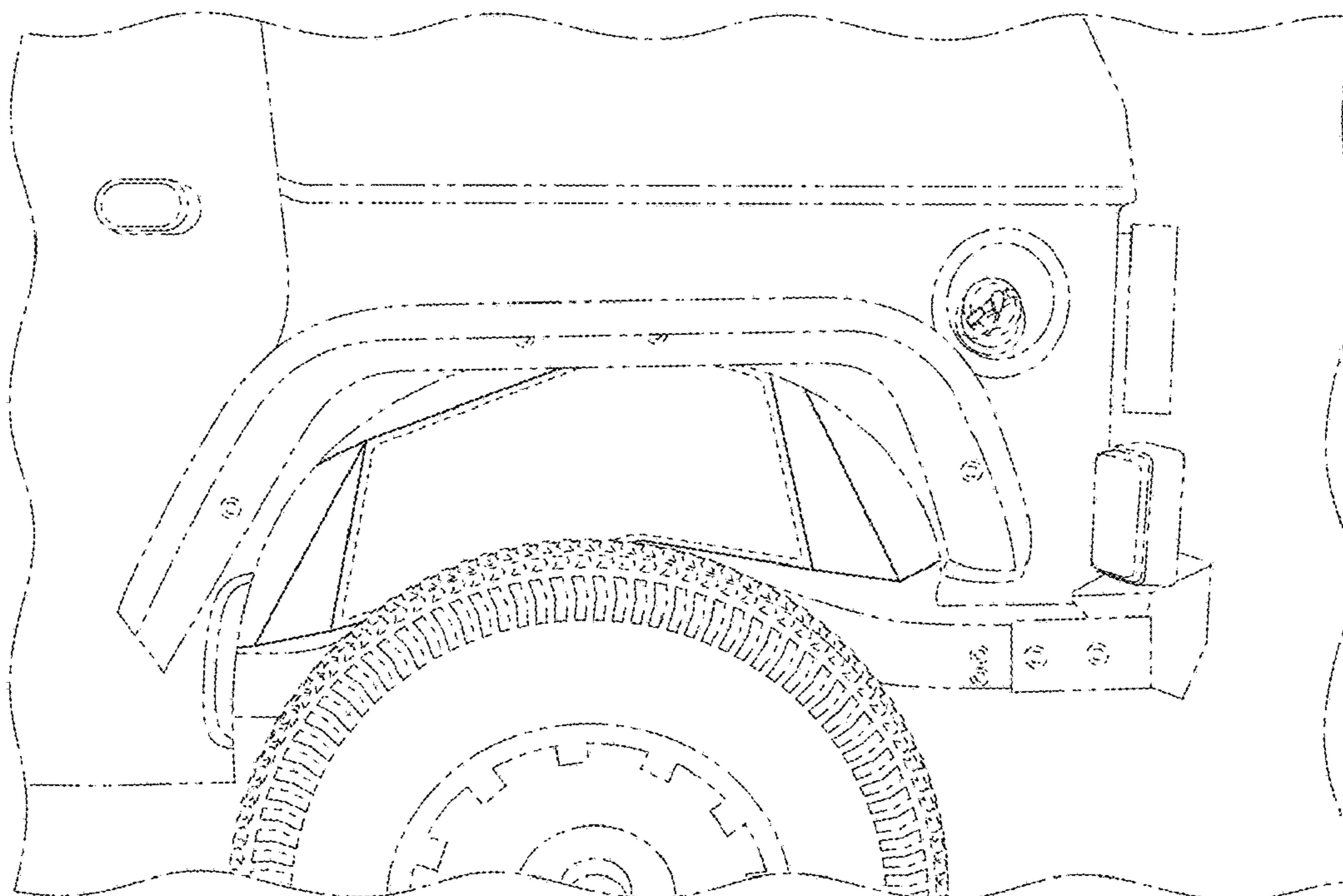


Fig. 1

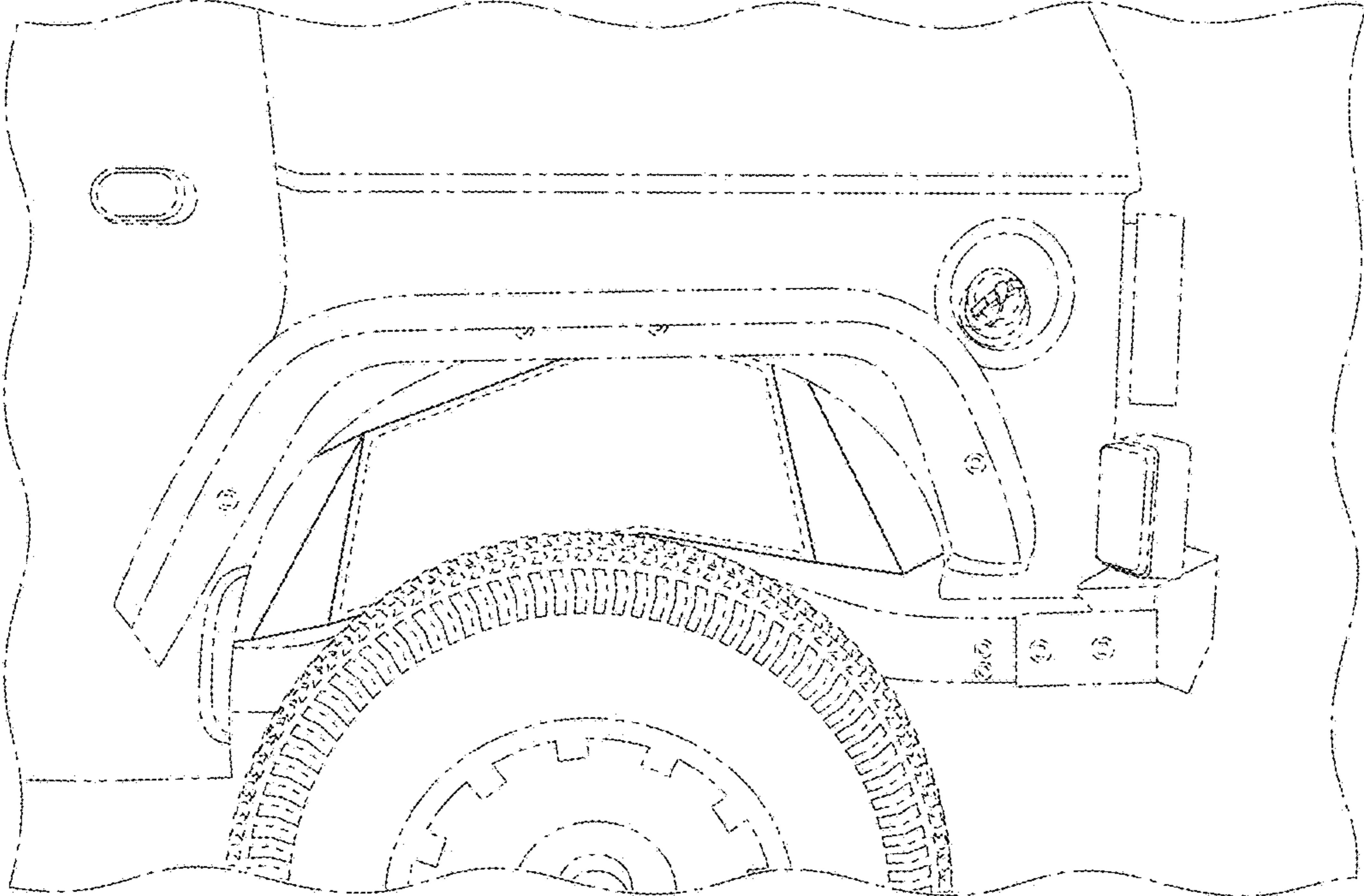


Fig. 2

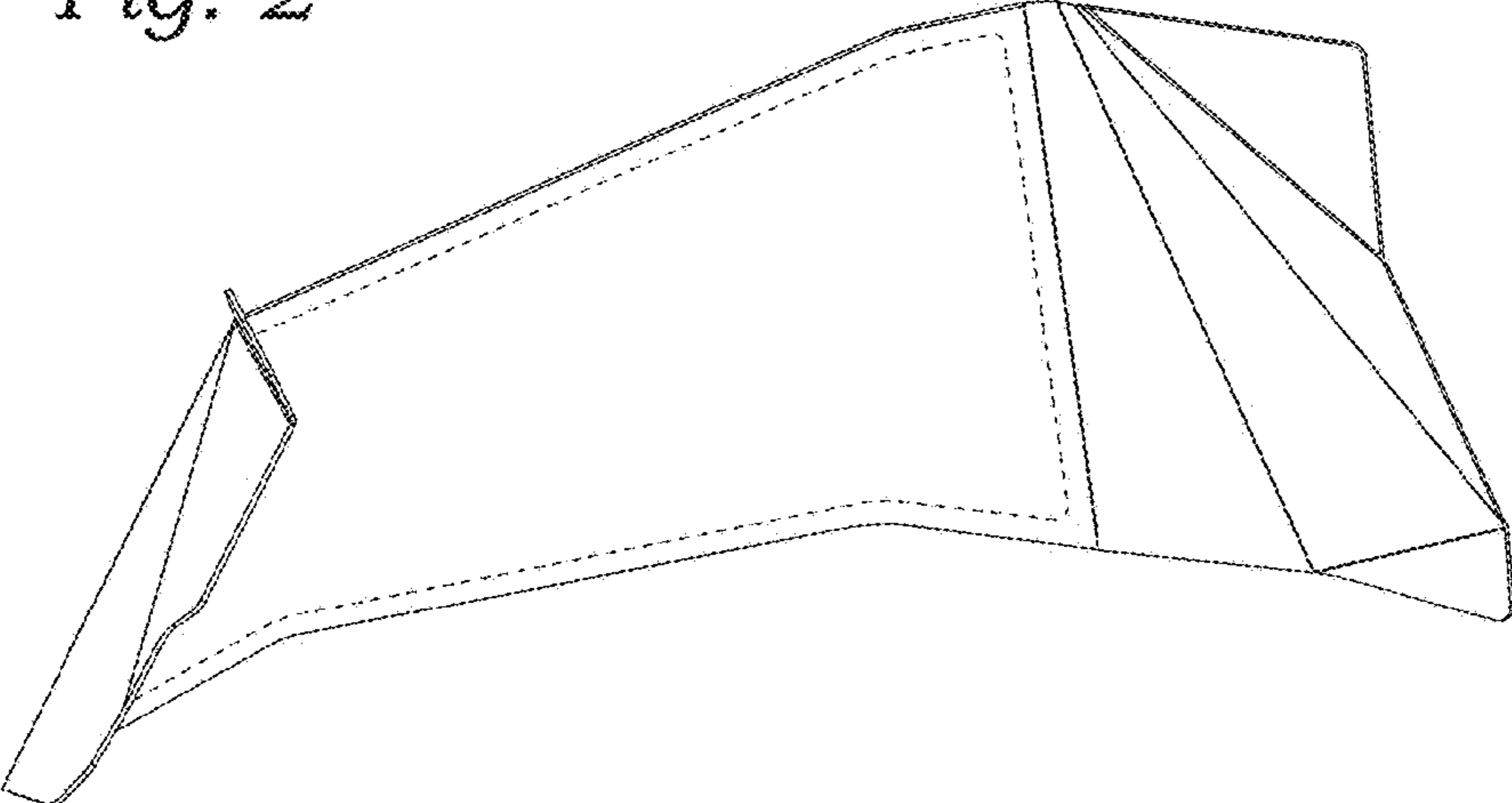


Fig. 3

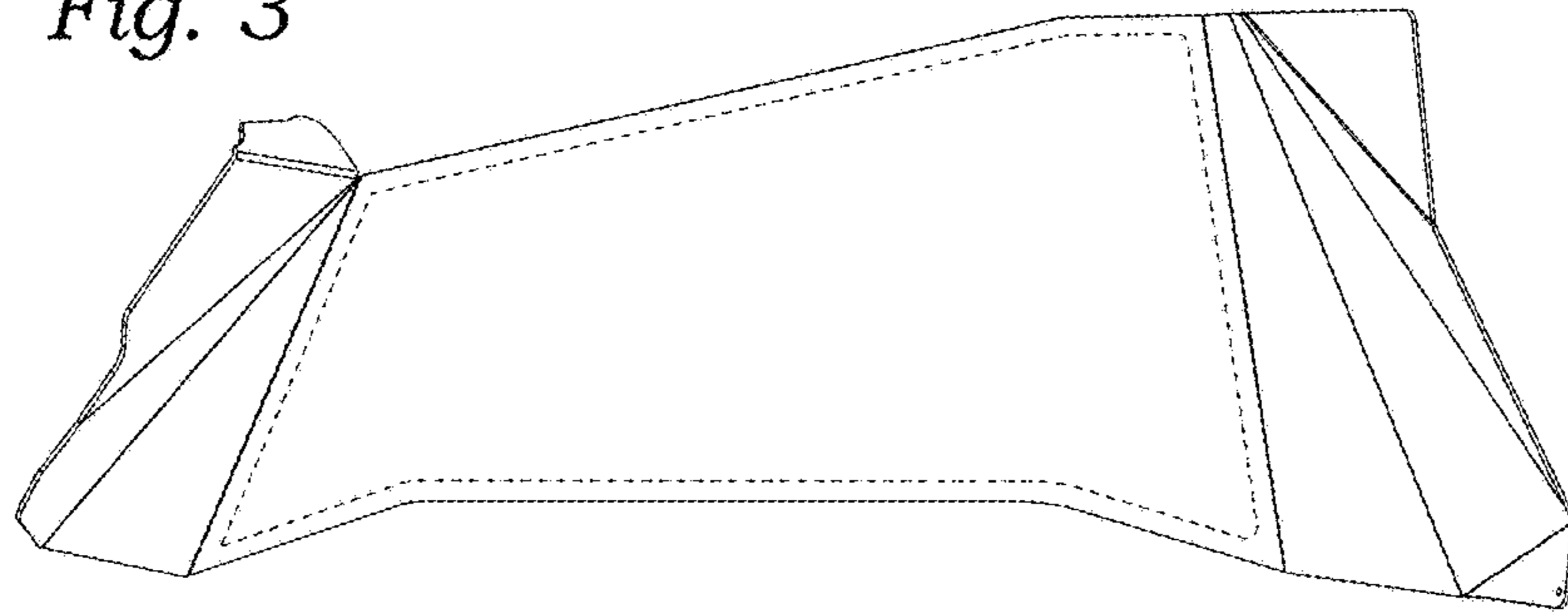


Fig. 4

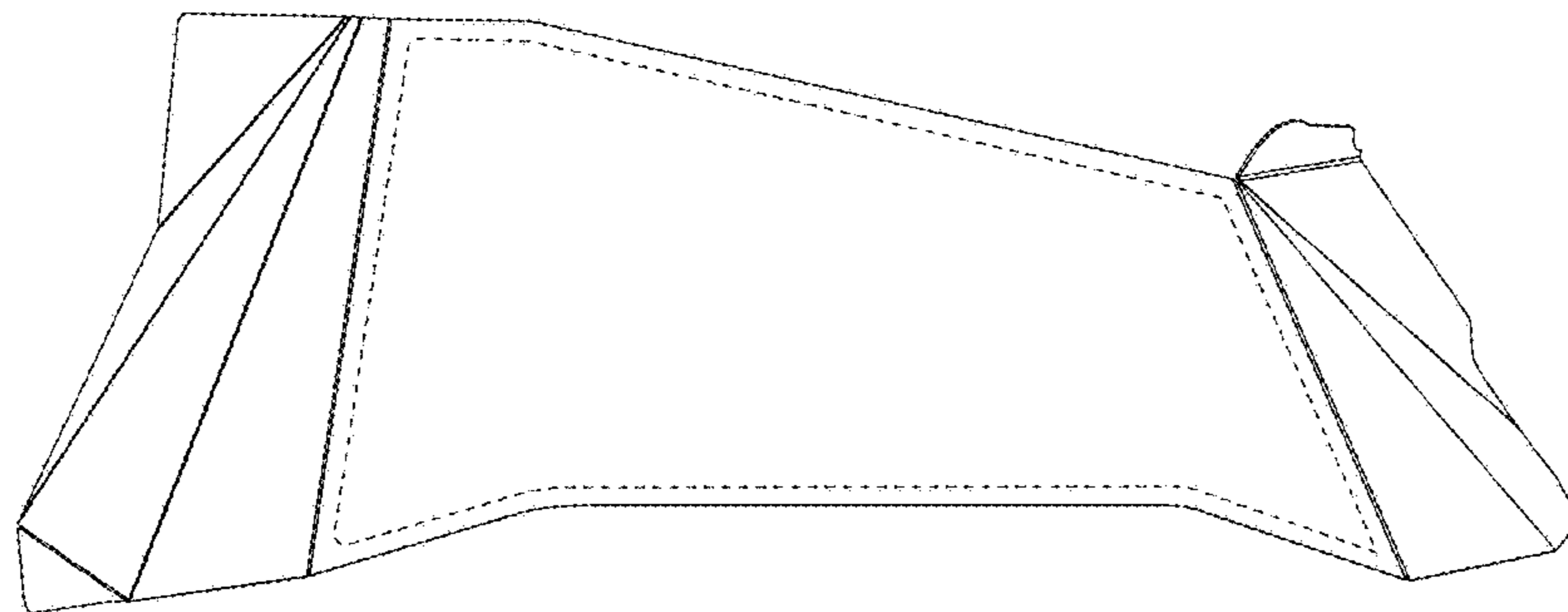


Fig. 5

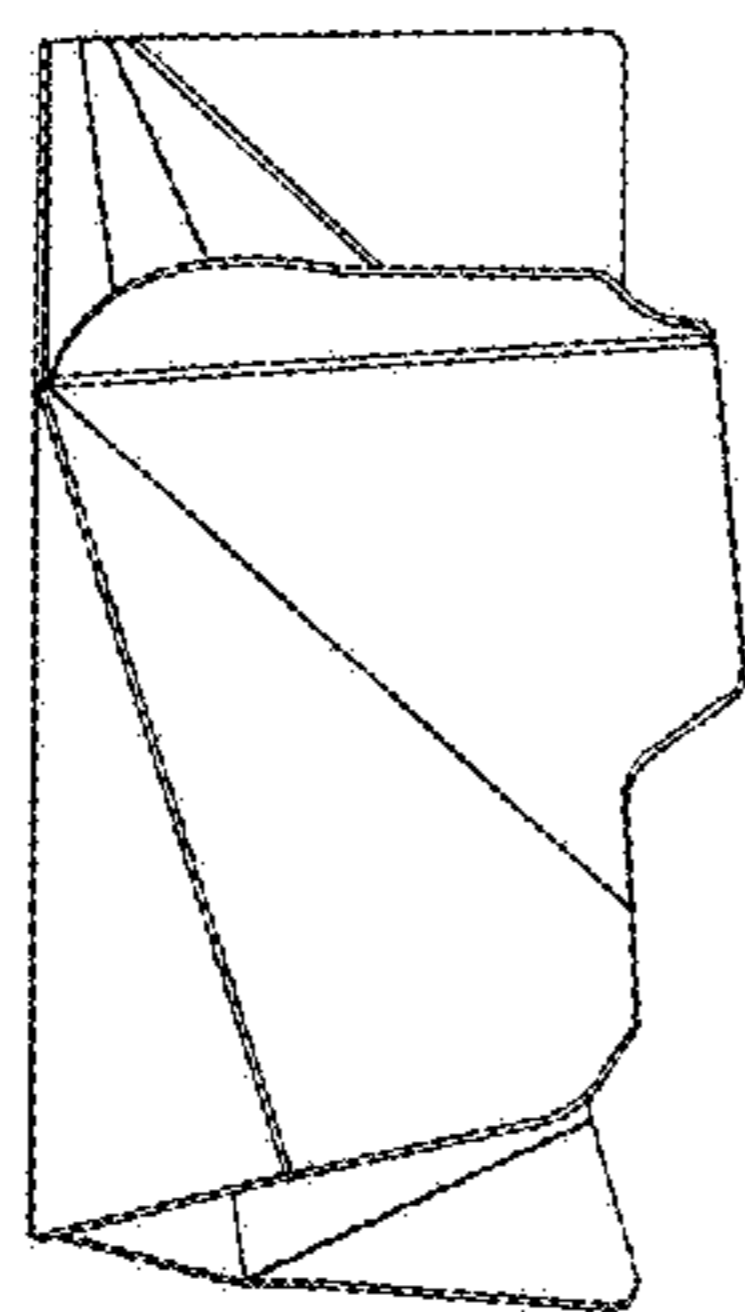


Fig. 6

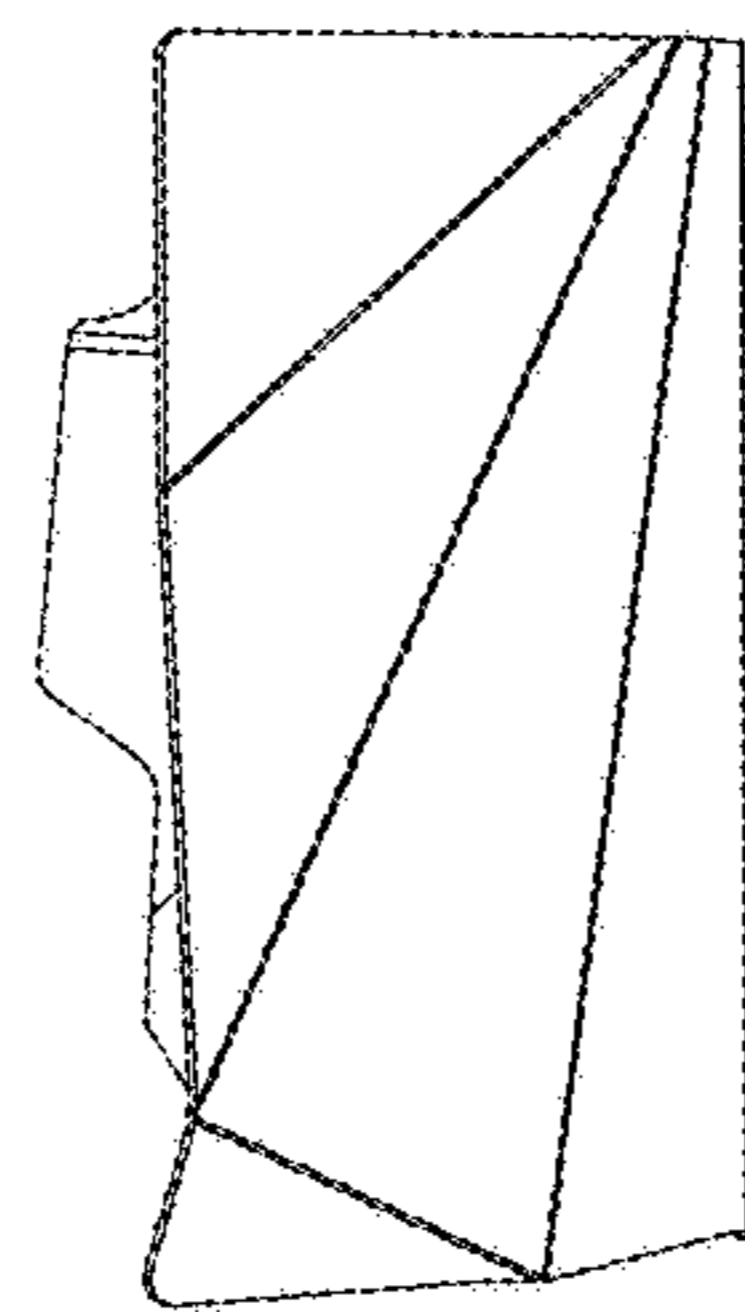


Fig. 7

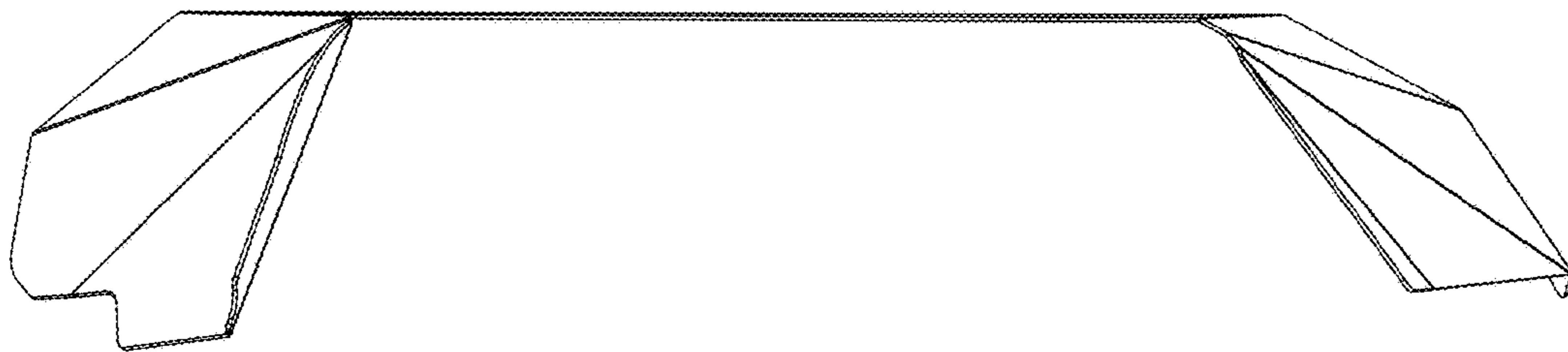


Fig. 8

