



US00D790417S

(12) **United States Design Patent**
Bertone et al.

(10) **Patent No.: US D790,417 S**
(45) **Date of Patent: ** Jun. 27, 2017**

(54) **DISC BRAKE CALLIPER BODY**

(71) Applicant: **FRENI BREMBO S.p.A.**, Curno
(Bergamo) (IT)

(72) Inventors: **Riccardo Bertone**, Curno (IT);
Fabrizio Bonetti, Curno (IT)

(73) Assignee: **FRENI BREMBO S.p.A.**, Curno
(Bergamo) (IT)

(**) Term: **14 Years**

(21) Appl. No.: **29/516,706**

(22) Filed: **Feb. 5, 2015**

(30) **Foreign Application Priority Data**

Aug. 5, 2014 (IT) BG2014O0010

(51) **LOC (10) Cl.** **12-16**

(52) **U.S. Cl.**
USPC **D12/180**

(58) **Field of Classification Search**
USPC D12/14, 106, 114, 118, 122, 161, 162,
D12/179, 180, 207, 217, 400
CPC ... B60T 1/06; B60T 7/00; B60T 8/265; B60T
11/00; B60T 11/103; B60T 13/00; B60T
13/66; B60T 17/223; B60T 83/255; B60T
2201/00; B60T 2201/03; B60T 2260/00;
B60T 2270/00; B60T 2270/82; B60T
2270/83; B60T 2270/84; B62K 23/06;
B62L 1/02; B62L 3/02; B62D 13/025;
B62D 21/18; B62D 53/045; B62D 63/04;
B62D 65/02; B62D 65/18; F16D 55/00;
F16D 55/226; F16D 65/00; F16D 65/092;

F16D 65/095; F16D 65/097; F16D 65/18;
F16D 65/38; F16D 65/847; B32B 3/06
See application file for complete search history.

(56) **References Cited**

U.S. PATENT DOCUMENTS

5,259,484 A * 11/1993 Idesawa F16D 55/227
188/73.39
5,558,183 A * 9/1996 Way F16D 65/853
188/264 CC
D442,900 S * 5/2001 Separautzki D12/180
6,302,243 B1 * 10/2001 Ruiz F16D 55/228
188/73.1

(Continued)

OTHER PUBLICATIONS

B-M8 Calipers, image post date Nov. 3, 2015, site visited Dec. 9,
2016, (online), <<http://www.brembo.com/en/company/news/brembo-all-new-b-m8-calipers-unveiled-at-sema>>.*

Primary Examiner — Kevin Rudzinski

Assistant Examiner — Sean D Lough

(74) *Attorney, Agent, or Firm* — Thomas | Horstemeyer,
LLP

(57) **CLAIM**

The ornamental design for a disc brake calliper body, as
shown and described.

DESCRIPTION

FIG. 1 is a perspective view of our new disc brake calliper
body;
FIG. 2 is a perspective view of our new disc brake calliper
body from the side opposite that of FIG. 1;
FIG. 3 is a side elevational view of our new disc brake
calliper body of FIG. 1;
FIG. 4 is a side elevational view of our new disc brake
calliper body, from a side opposite that of FIG. 3;
FIG. 5 is an end elevational view of our new disc brake
calliper body taken from the right side of FIG. 1;

(Continued)

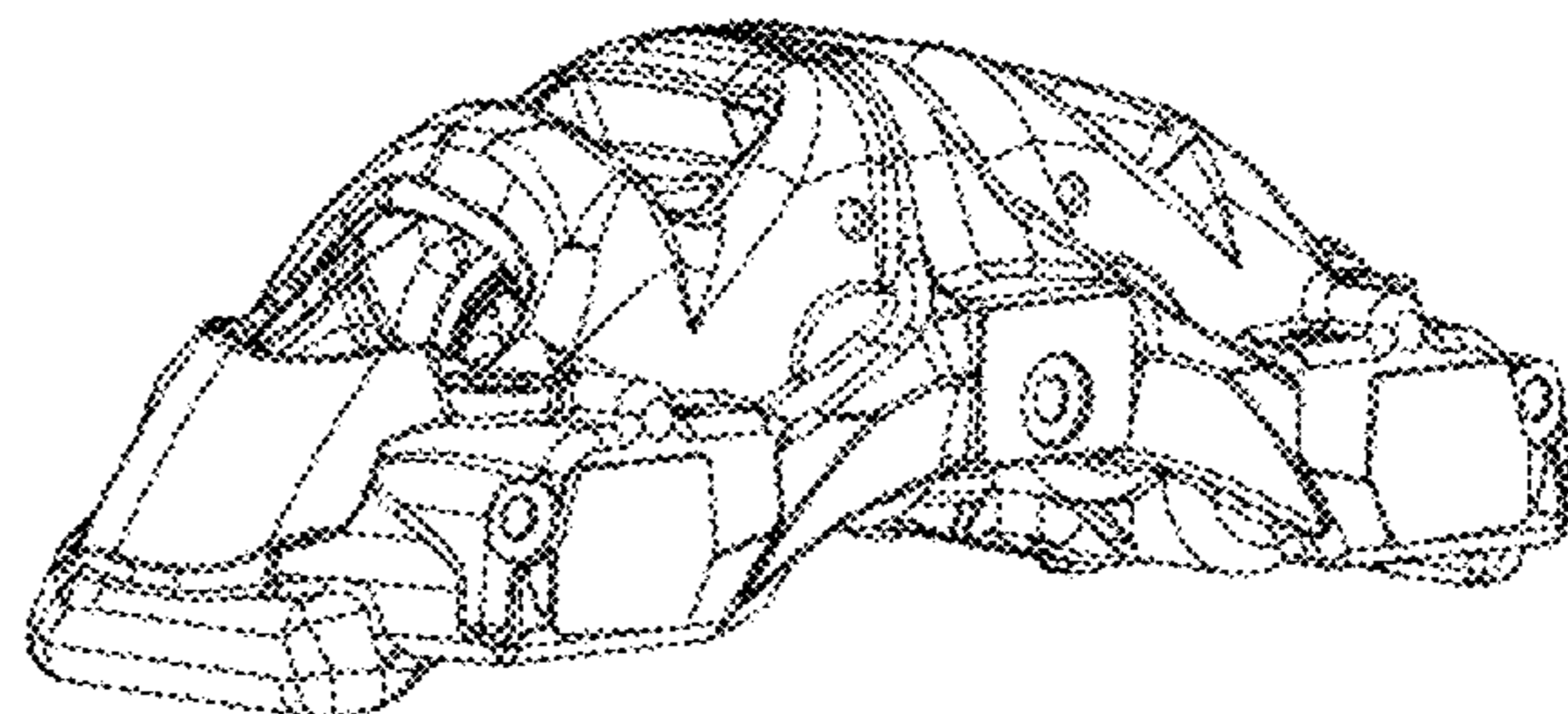
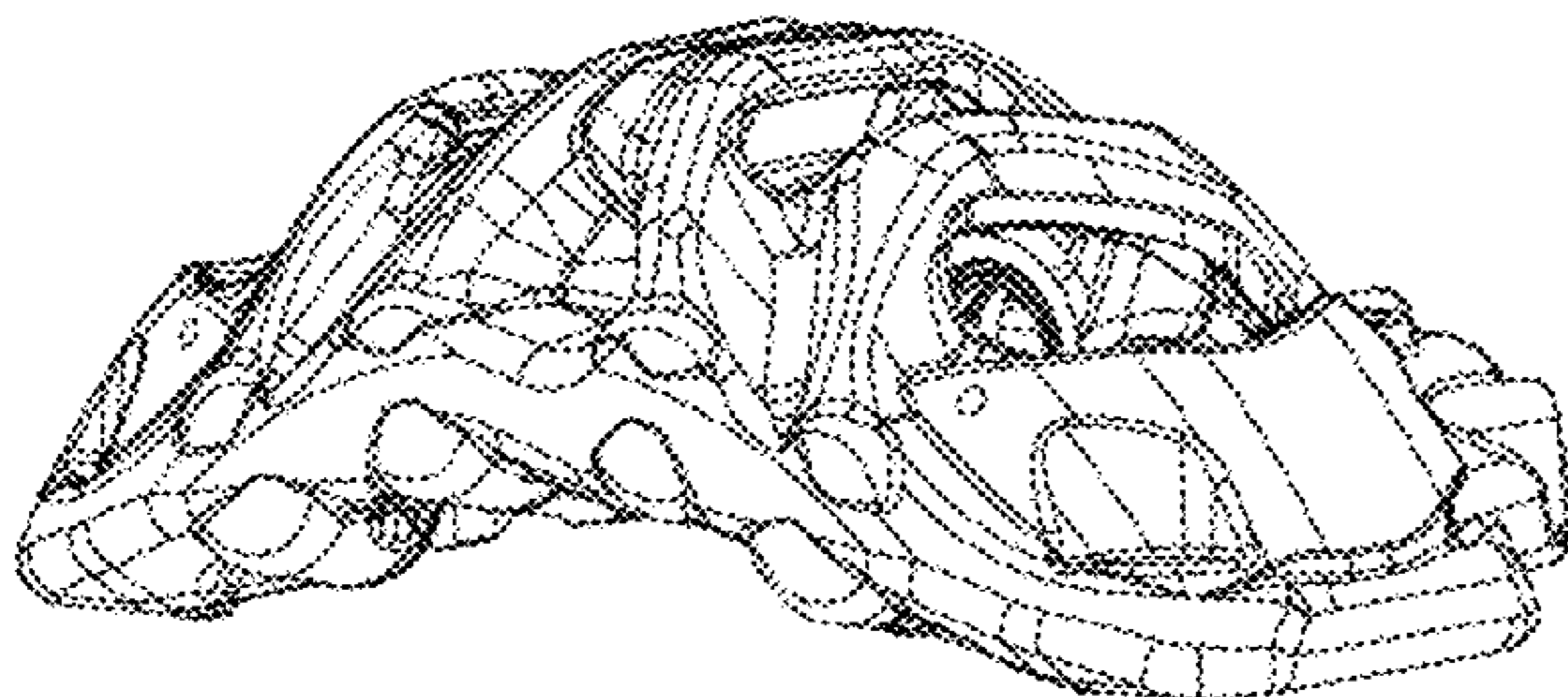


FIG. 6 is an end elevational view of our new disc brake calliper body from an end opposite that of FIG. 5;
 FIG. 7 is a top plan view of our new disc brake calliper body;
 and,
 FIG. 8 is a bottom plan view of our new disc brake calliper body.

1 Claim, 8 Drawing Sheets

(56)

References Cited

U.S. PATENT DOCUMENTS

6,708,802 B2 * 3/2004 Stahl F16D 55/227
 188/71.1
 6,722,476 B1 * 4/2004 Cornolti F16D 55/228
 188/264 CC
 D512,352 S * 12/2005 Veneziano D12/180
 D522,420 S * 6/2006 Crippa D12/180
 D522,421 S * 6/2006 Crippa D12/180
 D523,794 S * 6/2006 Strumbo D12/180
 D555,555 S * 11/2007 Ikuzawa D12/180
 D556,103 S * 11/2007 Morimoto D12/180
 D588,513 S * 3/2009 Crippa D12/180
 D607,793 S * 1/2010 Maroni D12/180
 D610,059 S * 2/2010 Azimonti D12/180
 D610,507 S * 2/2010 Azimonti D12/180
 D619,063 S * 7/2010 Veneziano D12/180
 7,766,132 B2 * 8/2010 Veneziano F16D 55/22
 188/73.39
 D623,102 S * 9/2010 Gherardi D12/180
 D630,141 S * 1/2011 Chen D12/180
 D642,100 S * 7/2011 Crippa D12/180
 8,196,716 B2 * 6/2012 Schorn F16D 55/228
 188/370
 8,205,726 B2 * 6/2012 Schorn F16D 65/095
 188/250 B
 8,469,159 B2 * 6/2013 Lowe F16D 55/227
 188/71.1
 D692,356 S * 10/2013 Owen D12/180
 8,544,613 B2 * 10/2013 Cantoni F16D 55/2262
 188/73.31
 8,701,841 B2 * 4/2014 Crippa F16D 55/228
 188/370
 8,887,875 B2 * 11/2014 Gherardi F16D 55/224
 188/71.1

9,046,141 B2 * 6/2015 Bass F16D 55/228
 D739,319 S * 9/2015 Montgomery D12/180
 9,212,713 B2 * 12/2015 Preda F16D 55/228
 9,278,498 B2 * 3/2016 Collura B32B 3/06
 9,285,003 B2 * 3/2016 Cornolti F16D 65/14
 9,291,224 B2 * 3/2016 Crippa F16D 55/228
 9,388,870 B2 * 7/2016 Cesani F16D 65/18
 9,422,991 B2 * 8/2016 Nessi F16D 55/228
 9,464,678 B2 * 10/2016 Cerutti F16D 55/228
 9,500,241 B2 * 11/2016 Shimamura F16D 55/228
 2004/0216967 A1 * 11/2004 Veneziano F16D 55/228
 188/72.5
 2005/0161290 A1 * 7/2005 Donadoni F16D 66/021
 188/1.11 L
 2007/0272502 A1 * 11/2007 Kobayashi F16D 55/228
 188/73.45
 2007/0278049 A1 * 12/2007 Kobayashi F16D 55/228
 188/73.39
 2012/0145492 A1 * 6/2012 Gherardi F16D 55/224
 188/73.31
 2013/0020155 A1 * 1/2013 Crippa F16D 55/228
 188/73.31
 2013/0092481 A1 * 4/2013 Crippa F16D 55/228
 188/73.31
 2013/0213747 A1 * 8/2013 Scotti F16D 55/228
 188/73.31
 2014/0158483 A1 * 6/2014 Miyahara F16D 55/228
 188/73.47
 2014/0251737 A1 * 9/2014 Nanri B60T 1/065
 188/72.5
 2014/0299424 A1 * 10/2014 Arakane F16D 65/095
 188/73.32
 2015/0021124 A1 * 1/2015 Preda F16D 55/228
 188/71.6
 2015/0021125 A1 * 1/2015 Nessi F16D 55/228
 188/72.5
 2015/0027821 A1 * 1/2015 Nessi F16D 55/224
 188/72.3
 2015/0027822 A1 * 1/2015 Cerutti F16D 55/228
 188/73.47
 2015/0122597 A1 * 5/2015 Shimamura F16D 55/228
 188/72.4
 2016/0116009 A1 * 4/2016 Falter F16D 55/22
 188/73.38
 2016/0208872 A1 * 7/2016 Morio F16D 65/18

* cited by examiner

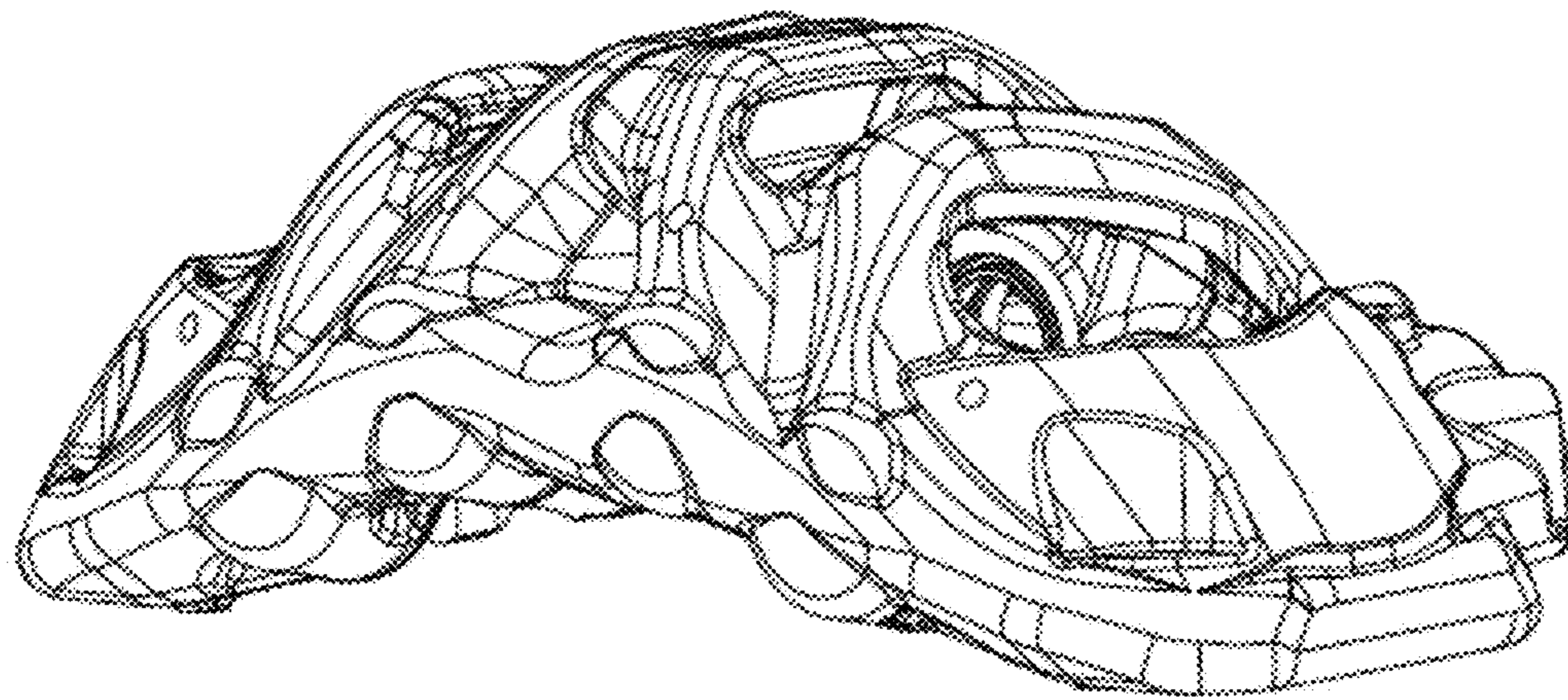


FIG. 1

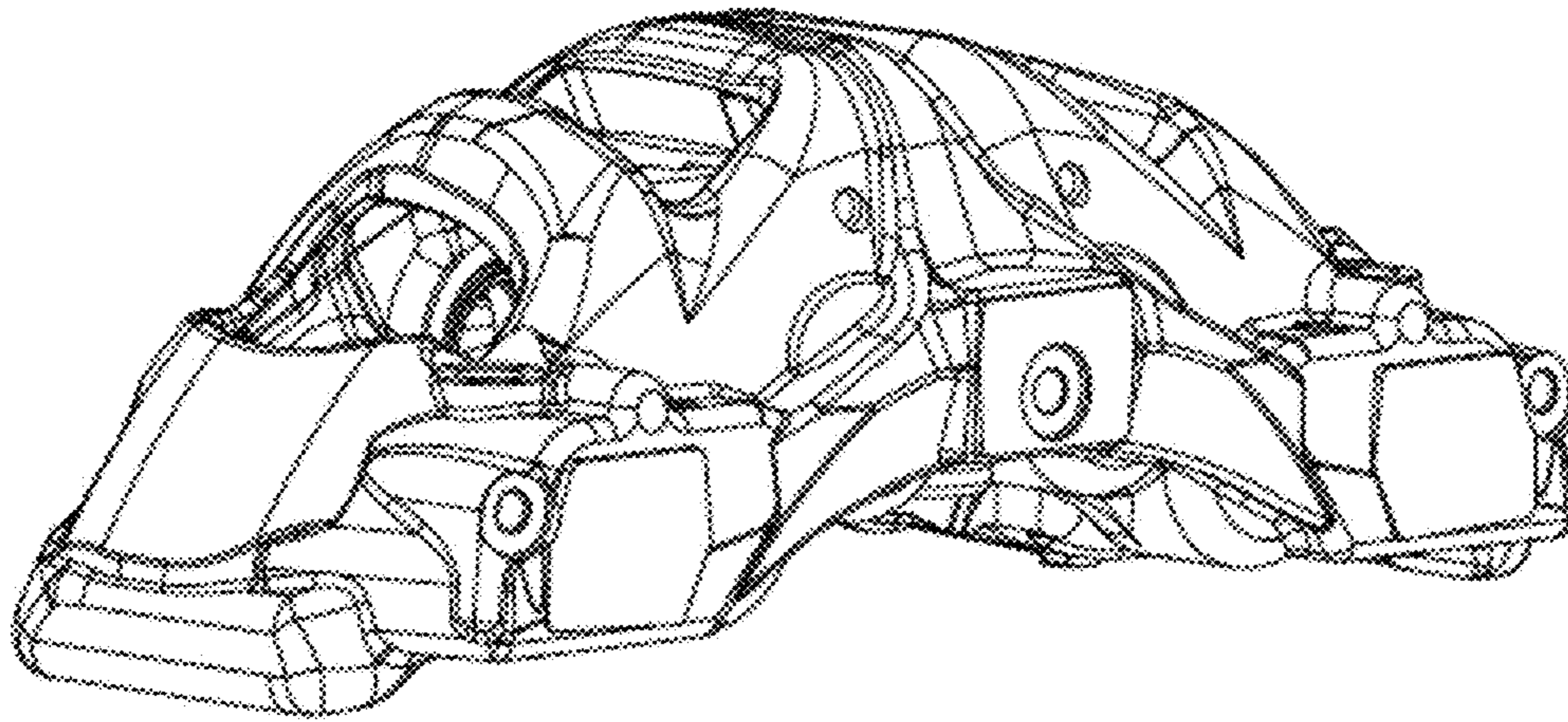


FIG. 2

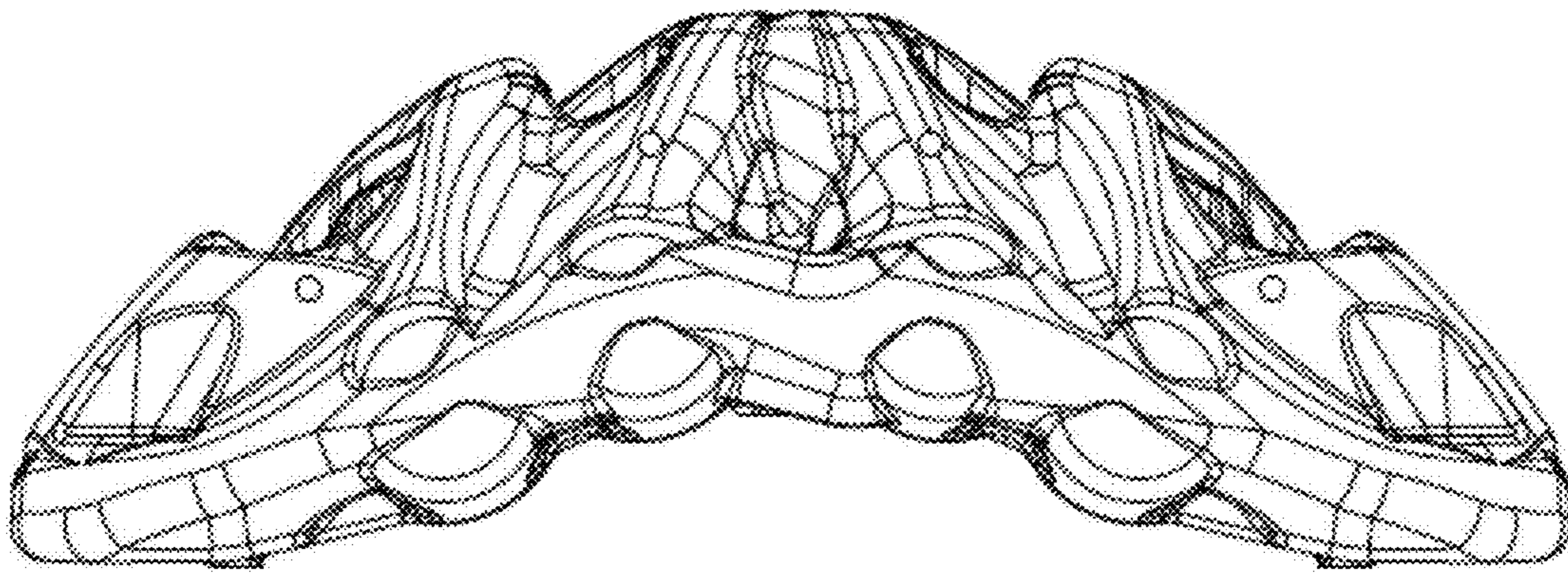


FIG. 3

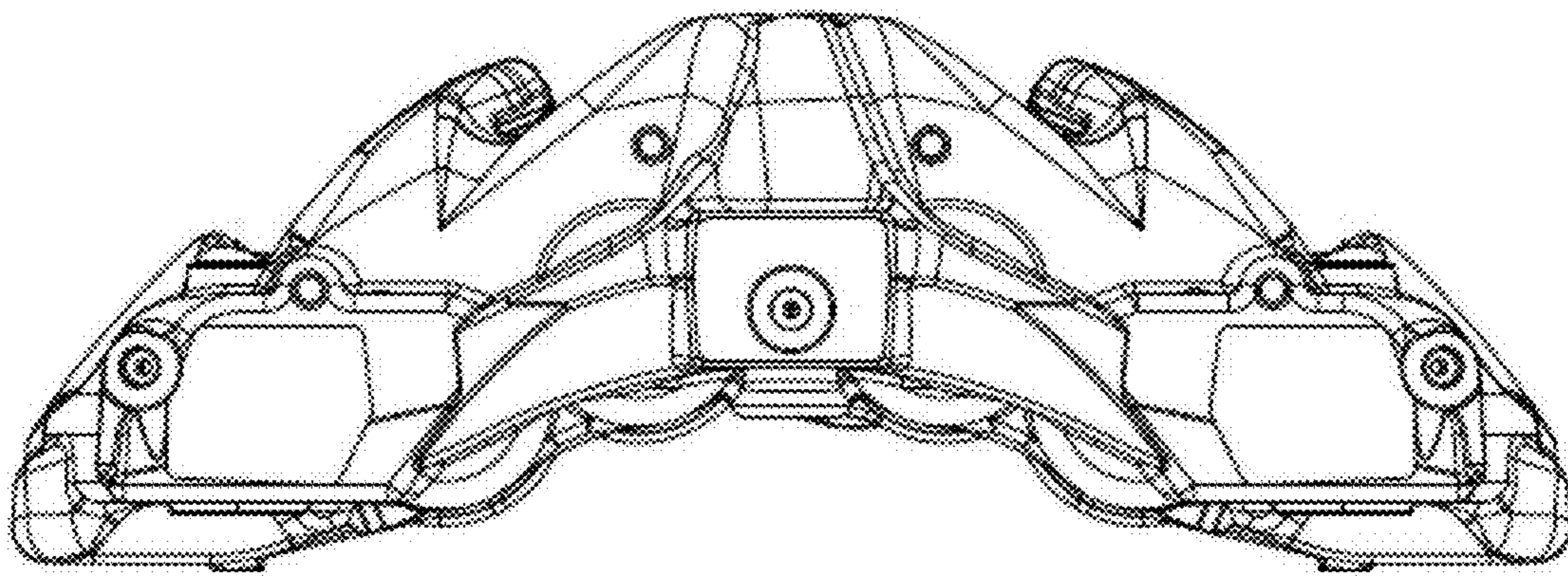


FIG. 4

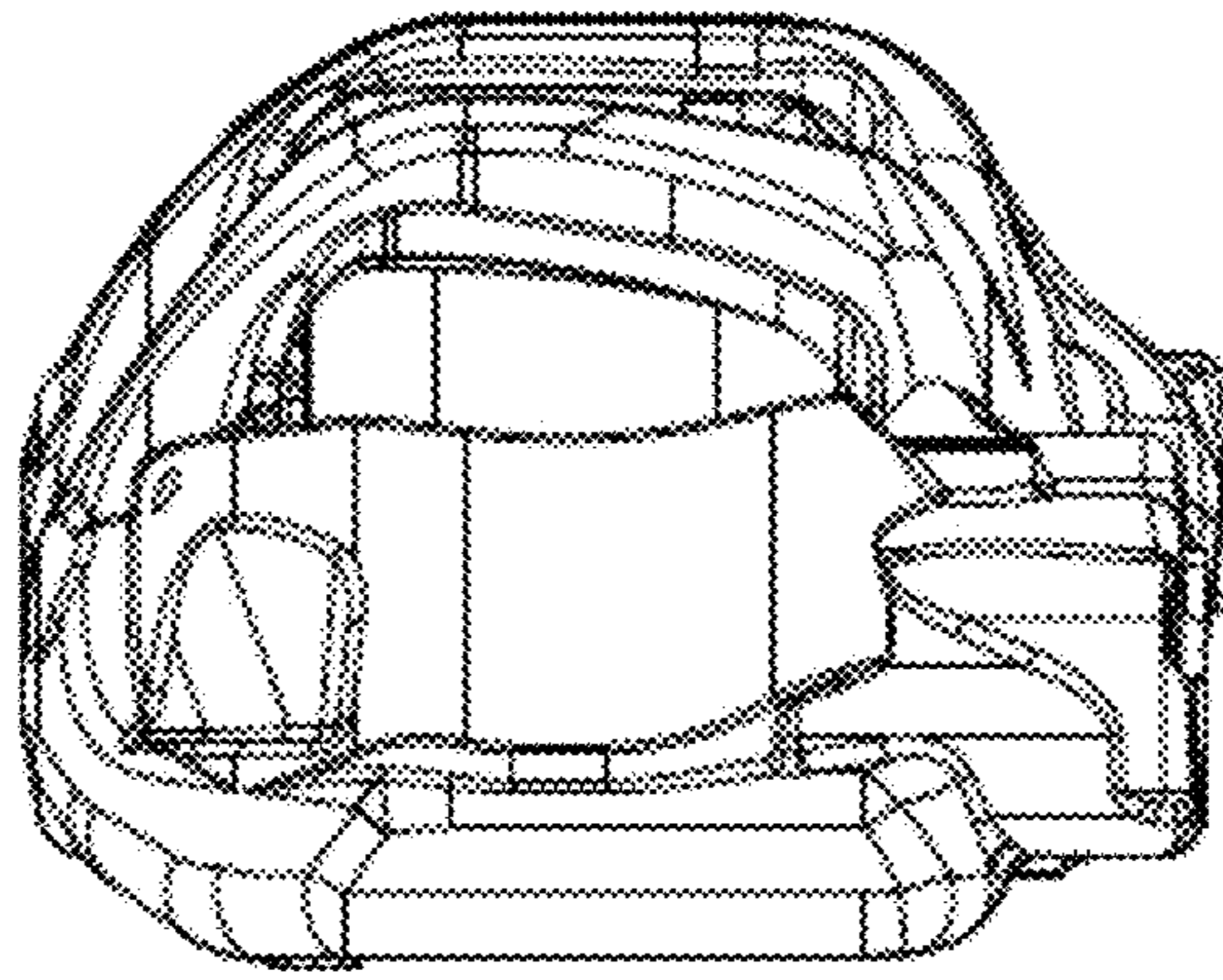


FIG. 5

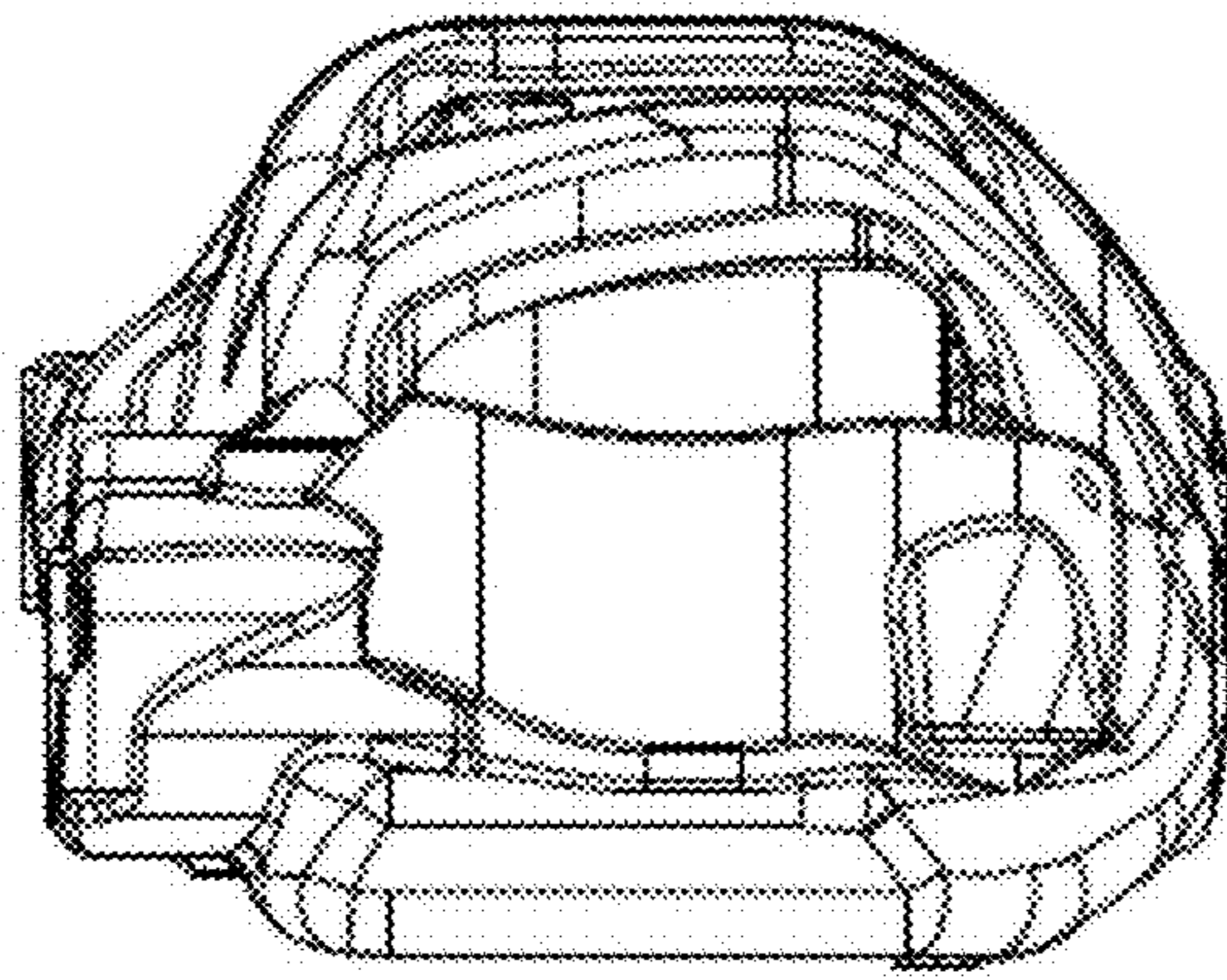


FIG. 6

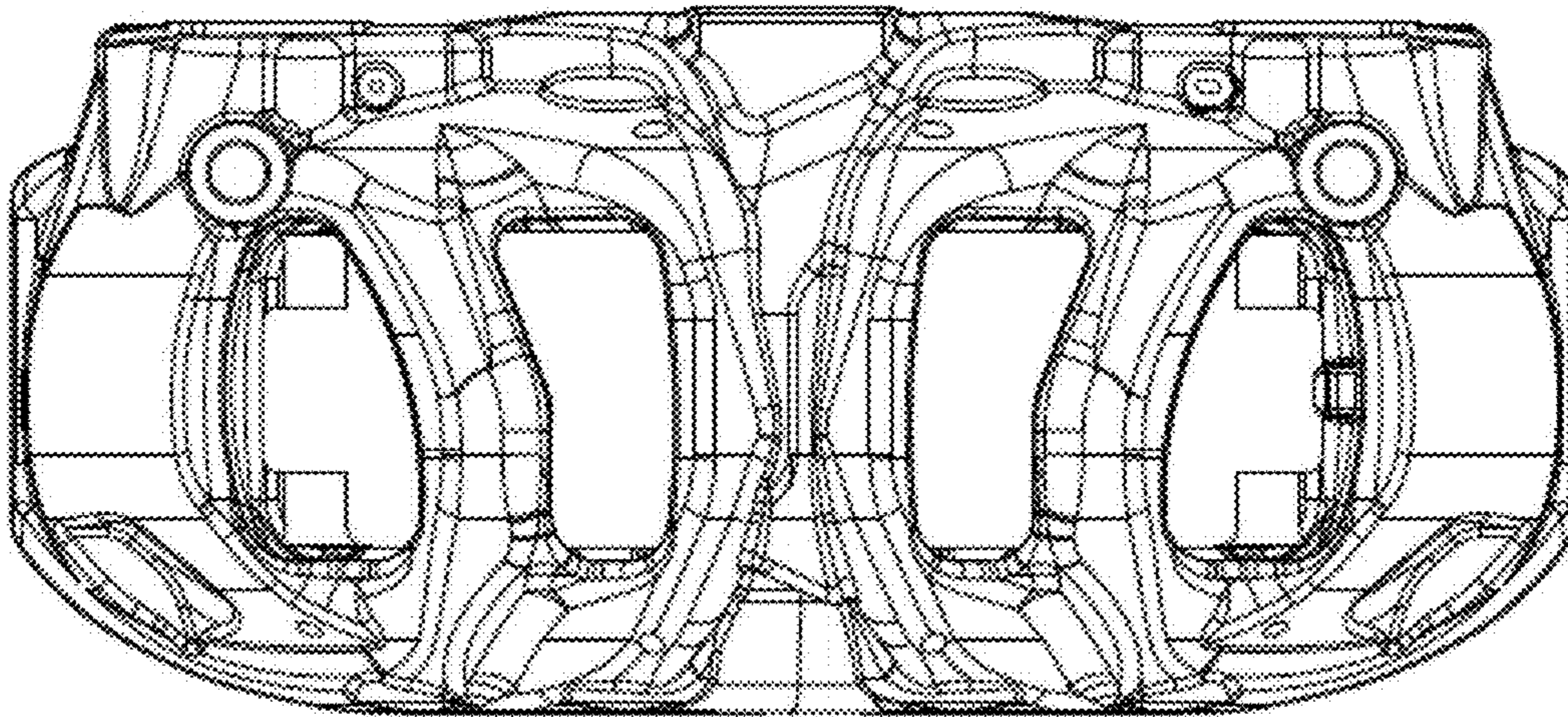


FIG. 7

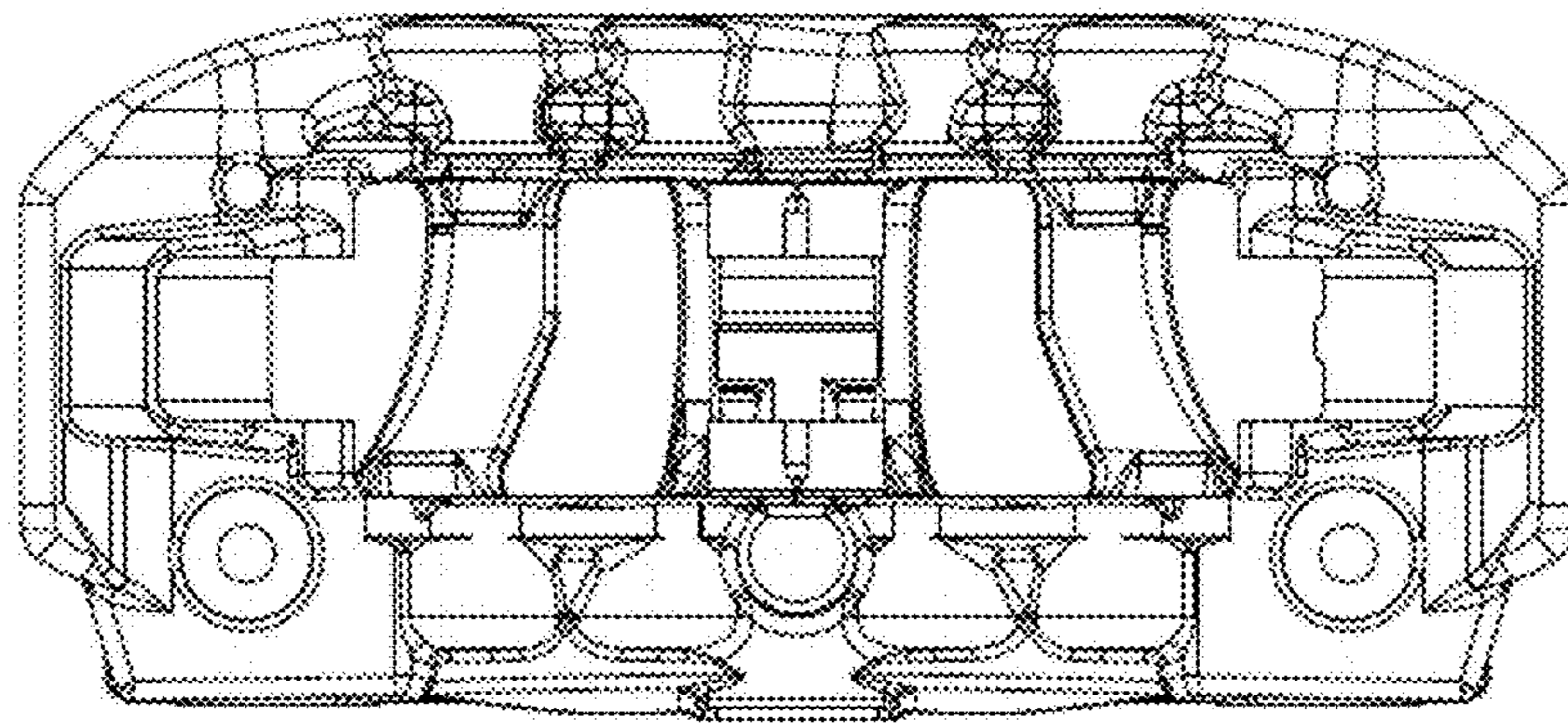


FIG. 8

UNITED STATES PATENT AND TRADEMARK OFFICE
CERTIFICATE OF CORRECTION

PATENT NO. : D790,417 S
APPLICATION NO. : 29/516706
DATED : June 27, 2017
INVENTOR(S) : Riccardo Bertone and Fabrizio Bonetti

Page 1 of 1

It is certified that error appears in the above-identified patent and that said Letters Patent is hereby corrected as shown below:

On the Title Page

(30) Foreign Application Priority Data: change "BG2014O0010" to -- BG2014O000010 --.

Signed and Sealed this
Nineteenth Day of September, 2017



Joseph Matal
*Performing the Functions and Duties of the
Under Secretary of Commerce for Intellectual Property and
Director of the United States Patent and Trademark Office*