



US00D790416S

(12) **United States Design Patent**
Pritts et al.

(10) **Patent No.:** **US D790,416 S**
(45) **Date of Patent:** **** Jun. 27, 2017**

- (54) **FRONT WHEEL DRIVE SHIFT FORK**
- (71) Applicant: **RB Distribution, Inc.**, Colmar, PA (US)
- (72) Inventors: **Jeffrey D. Pritts**, Lansdale, PA (US);
Steven W. Butcher, Collegeville, PA (US)
- (73) Assignee: **RB Distribution, Inc.**, Colmar, PA (US)
- (**) Term: **14 Years**
- (21) Appl. No.: **29/522,182**
- (22) Filed: **Mar. 27, 2015**
- (51) **LOC (10) Cl.** **12-16**
- (52) **U.S. Cl.**
USPC **D12/179**
- (58) **Field of Classification Search**
USPC D12/114, 121, 125, 174, 179, 180, 203,
D12/400, 415, 16.1, 14, 118
CPC Y10T 74/20534; Y10T 74/20888; Y10T
428/24008; Y10T 428/169; Y10T 74/209;
Y10T 74/20912; Y10T 428/24479; Y10T
428/24355; Y10T 428/24025; Y10T
428/24017; Y10T 428/24; B32B
2266/0235; B32B 2266/0278; B32B
2307/102; B32B 2419/04; B32B 2471/04;
B64C 2201/024; B64C 2201/042; B64C
2201/146; B64C 2201/201; G05D 1/06;
B60P 1/00; B60P 3/00
See application file for complete search history.

(56) **References Cited**

U.S. PATENT DOCUMENTS

- 3,422,918 A * 1/1969 Musser, Jr. B60G 3/24
267/221
- D243,167 S * 1/1977 Wheeler D12/118
- 4,213,535 A * 7/1980 Ban B60T 11/26
220/3.3

- 4,529,080 A * 7/1985 Dolan F16H 63/32
192/109 A
- 4,537,420 A * 8/1985 Ito B60G 3/26
280/124.128
- 4,709,774 A * 12/1987 Saito B62J 17/02
180/229

(Continued)

OTHER PUBLICATIONS

Cast Iron Shift Fork, image post date Jul. 7, 2013, site visited Sep. 19, 2016, (online), <<http://web.archive.org/web/20130707123823/http://jksmfg.com/c-806437-shop-by-vehicle-wrangler-yj-4x4-posi-lok.html>>.*

(Continued)

Primary Examiner — Kevin Rudzinski
Assistant Examiner — Sean D Lough
(74) *Attorney, Agent, or Firm* — Volpe and Koenig, P.C.

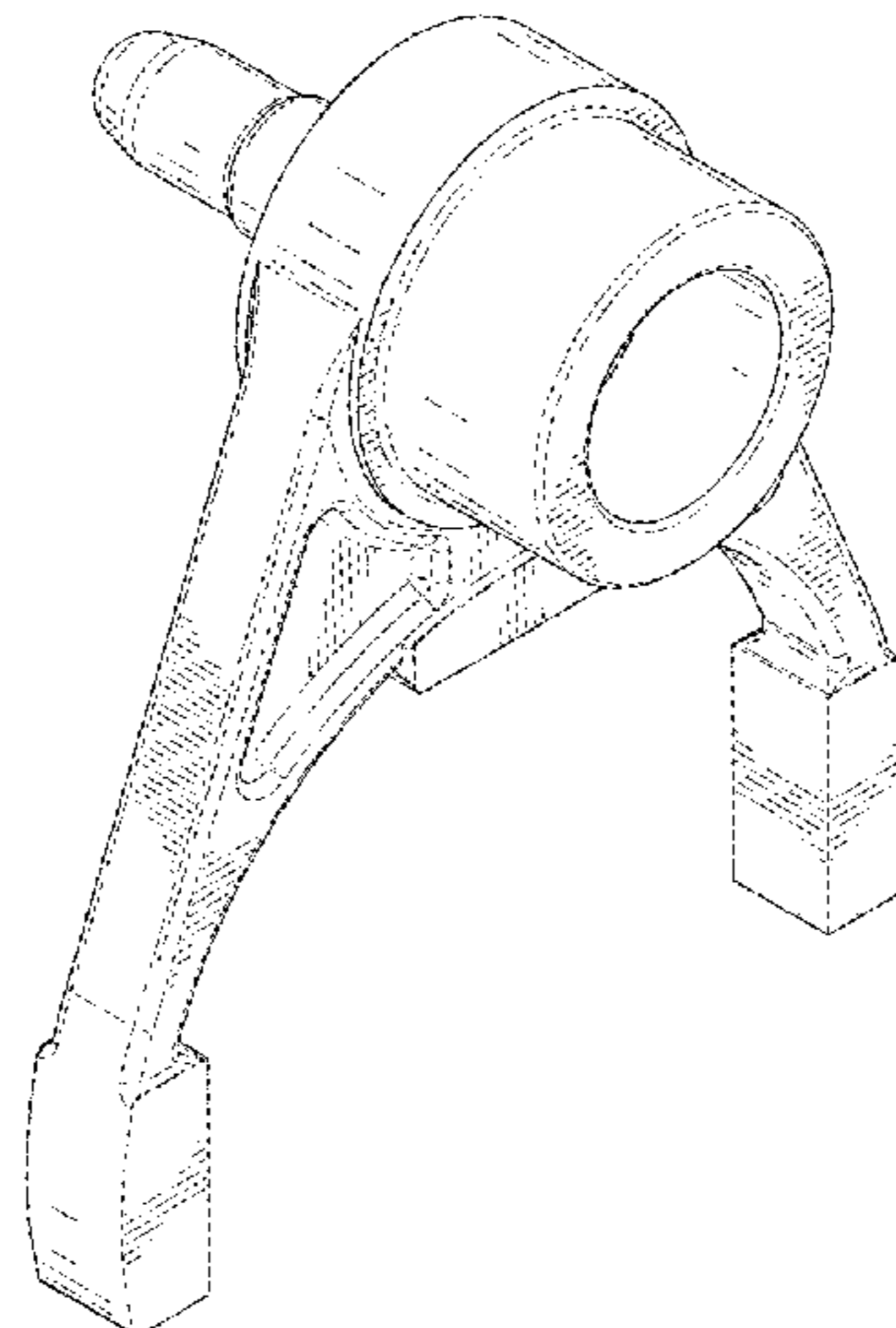
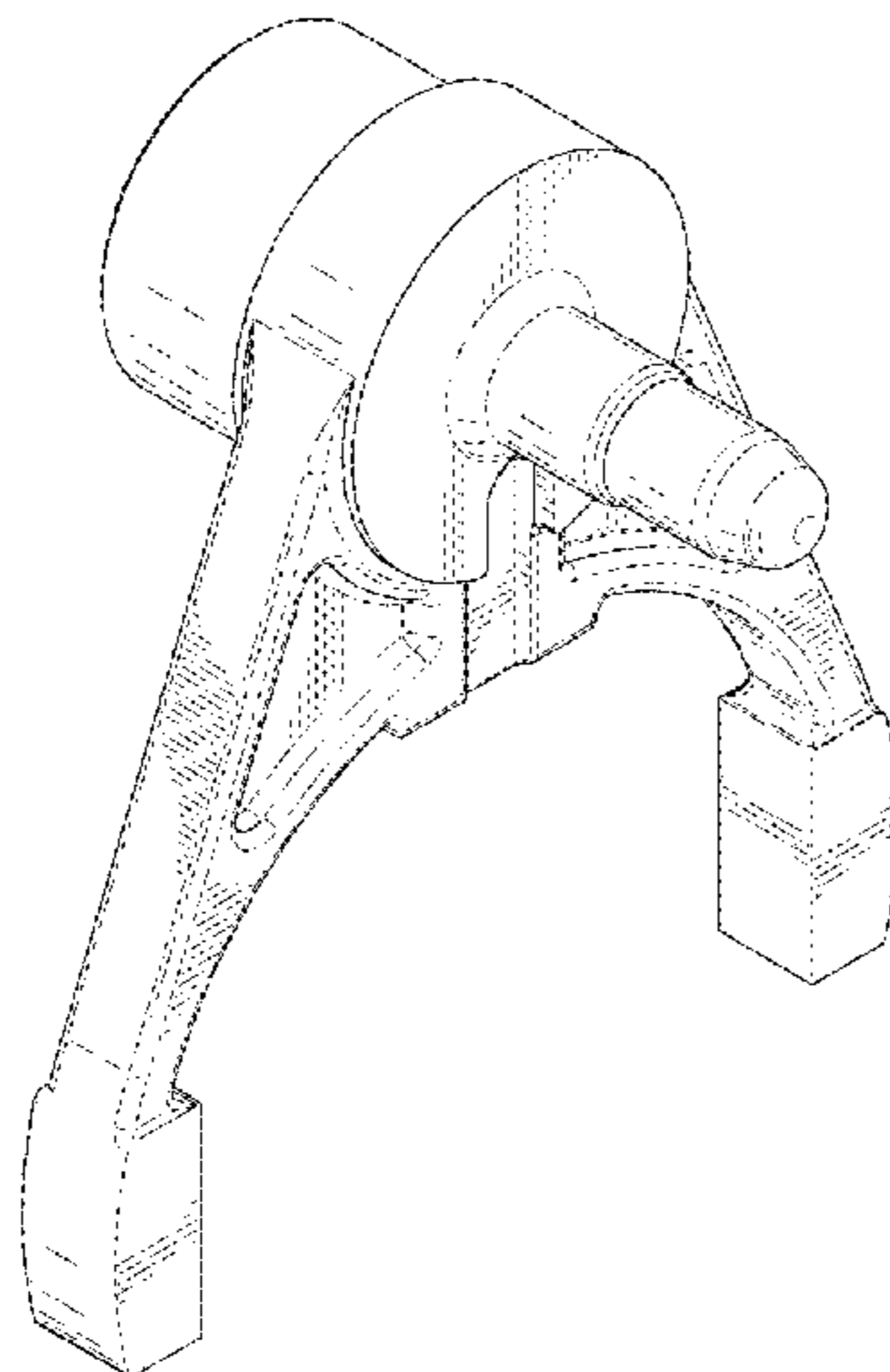
(57) **CLAIM**

The ornamental design for a front wheel drive shift fork, as shown and described.

DESCRIPTION

FIG. 1 is a front perspective view of our front wheel drive shift fork;
FIG. 2 is a rear perspective view of the front wheel drive shift fork in FIG. 1;
FIG. 3 is a front elevation of the front wheel drive shift fork in FIG. 1;
FIG. 4 is a rear elevation of the front wheel drive shift fork in FIG. 1;
FIG. 5 is a right side elevation of the front wheel drive shift fork in FIG. 1, with the left side being the mirror image thereof;
FIG. 6 is a top plan view of the front wheel drive shift fork in FIG. 1; and,
FIG. 7 is a bottom plan view of the front wheel drive shift fork in FIG. 1.

1 Claim, 7 Drawing Sheets



(56)

References Cited

U.S. PATENT DOCUMENTS

4,790,560 A * 12/1988 Asanuma B60G 3/22
280/124.128
D368,681 S * 4/1996 Behrens D12/118
D385,835 S * 11/1997 Webster D12/159
5,697,633 A * 12/1997 Lee B60G 3/26
280/124.128
D391,825 S * 3/1998 Larson D8/303
D392,609 S * 3/1998 Pingel D12/179
D394,235 S * 5/1998 Steinke D12/180
D412,477 S * 8/1999 Takizawa D12/179
6,000,706 A * 12/1999 Boberg B60G 3/20
280/124.135
D428,370 S * 7/2000 Hanamura D12/178
D433,974 S * 11/2000 Takizawa D12/180
D449,809 S * 10/2001 Carlson D12/179
6,446,991 B1 * 9/2002 Klais B60G 7/02
280/124.134
D475,001 S * 5/2003 Roll D12/159
D480,331 S * 10/2003 Miller D12/174
D489,028 S * 4/2004 Nishiyama D12/180
D511,484 S * 11/2005 Dugaev D12/174
D521,420 S * 5/2006 Cobb D12/118
D535,596 S * 1/2007 Mabuchi D12/179
D543,492 S * 5/2007 Lyew D12/159
D544,419 S * 6/2007 Caiazzo D12/179
D545,246 S * 6/2007 Kroeker D12/159
D545,736 S * 7/2007 Caiazzo D12/179
D548,656 S * 8/2007 Hanamura D12/180
D553,060 S * 10/2007 Caiazzo D12/179
D573,926 S * 7/2008 Jones D12/179
D602,411 S * 10/2009 Nagase D12/177
D607,794 S * 1/2010 Bridge D12/180
D613,591 S * 4/2010 Lee D12/114
D621,851 S * 8/2010 McGarry D12/126
D631,408 S * 1/2011 Brodsky D12/179
8,074,760 B2 * 12/2011 Aoki B62K 25/283
180/227
D654,126 S * 2/2012 Eckermann D21/684
D654,412 S * 2/2012 Allington D12/180
D671,179 S * 11/2012 Chang D21/684
D683,664 S * 6/2013 Eder D12/118
8,469,854 B1 * 6/2013 Downs B60K 23/08
475/221

D696,097 S * 12/2013 Wada D8/354
D696,098 S * 12/2013 Wada D8/354
D696,099 S * 12/2013 Wada D8/354
D696,100 S * 12/2013 Wada D8/354
D696,101 S * 12/2013 Wada D8/354
D710,273 S * 8/2014 LeBlanc D12/179
D718,671 S * 12/2014 Parvey D12/114
D718,815 S * 12/2014 Grzybowski D19/91
D723,441 S * 3/2015 Schwencke D12/194
D731,367 S * 6/2015 Miller D12/159
D745,164 S * 12/2015 Simmons D24/158
D750,008 S * 2/2016 Tran D12/345
2008/0034912 A1 * 2/2008 Feher F16H 63/3408
74/473.24
2008/0196990 A1 * 8/2008 Cali F16D 41/125
192/46
2009/0205455 A1 * 8/2009 Kosugi F16H 63/18
74/473.21
2012/0182664 A1 * 7/2012 Wan H01H 71/10
361/115
2016/0070235 A1 * 3/2016 Mignot G04C 5/005
368/126
2016/0090752 A1 * 3/2016 McCann E05B 19/0011
70/383
2016/0152137 A1 * 6/2016 Sunahiro F16H 63/18
180/364

OTHER PUBLICATIONS

Differential shift fork, image post date Dec. 1, 2015, site visited Sep. 19, 2016, (online), <<http://web.archive.org/web/20151201201519/http://www.autoanything.com/drivetrain-differentials/77A7649A3868320.aspx>>.*
Central Axle Disconnect Fork, image post date Mar. 30, 2014, site visited Sep. 19, 2016, (online), <<https://www.summitracing.com/parts/pos-100/reviews>>.*
APDTY 711225 Front Differential Actuator Shift Fork Lever, image post date May 22, 2016, site visited Sep. 19, 2016, (online), <<http://mr-cartec.com/apdty-711225-front-differential-actuator-shift-fork-lever-w-upgraded-pin-pads/>>.*
Photographs of a prior art design, pp. 1-7, known to the Inventors.

* cited by examiner

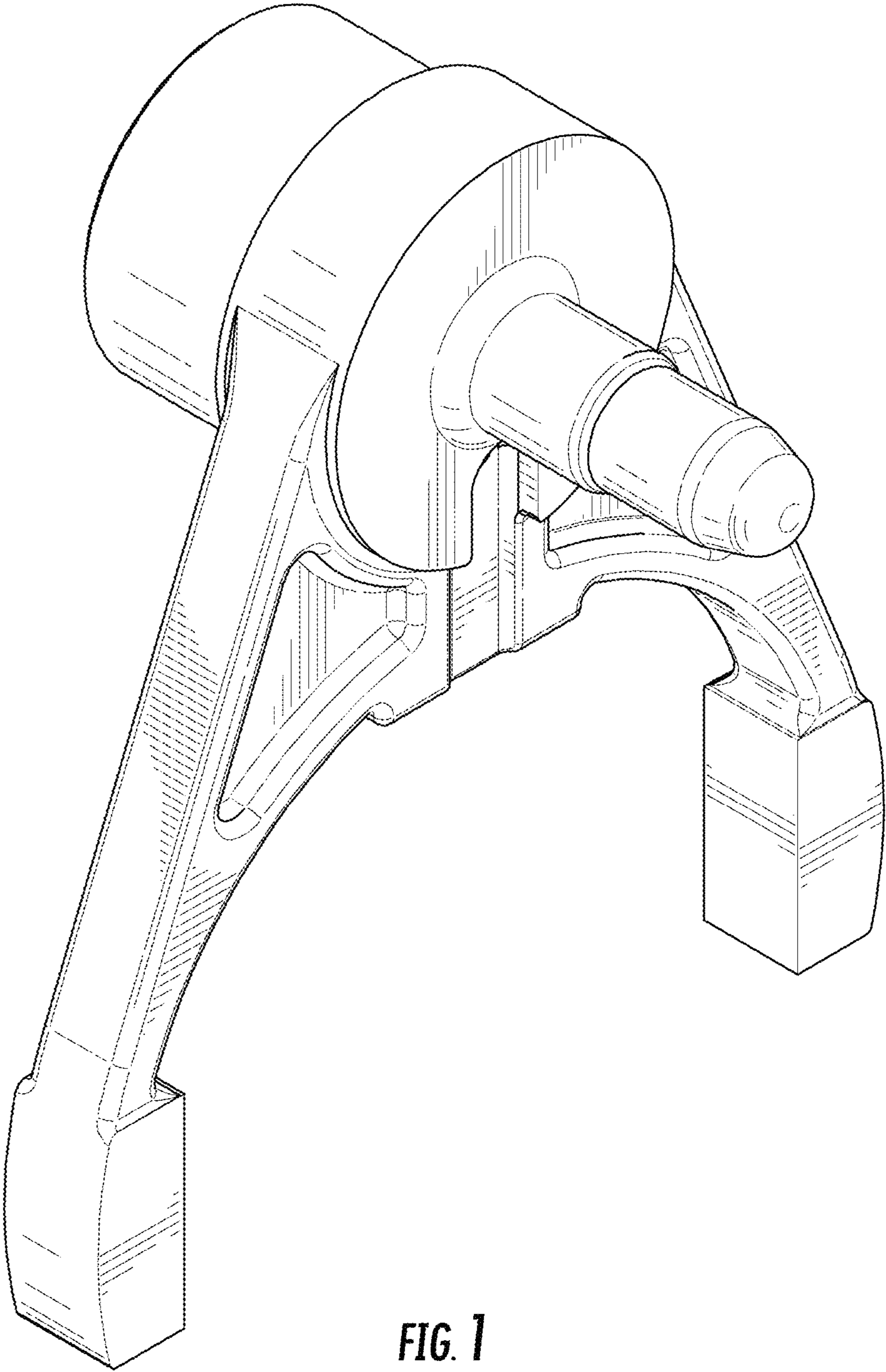


FIG. 1

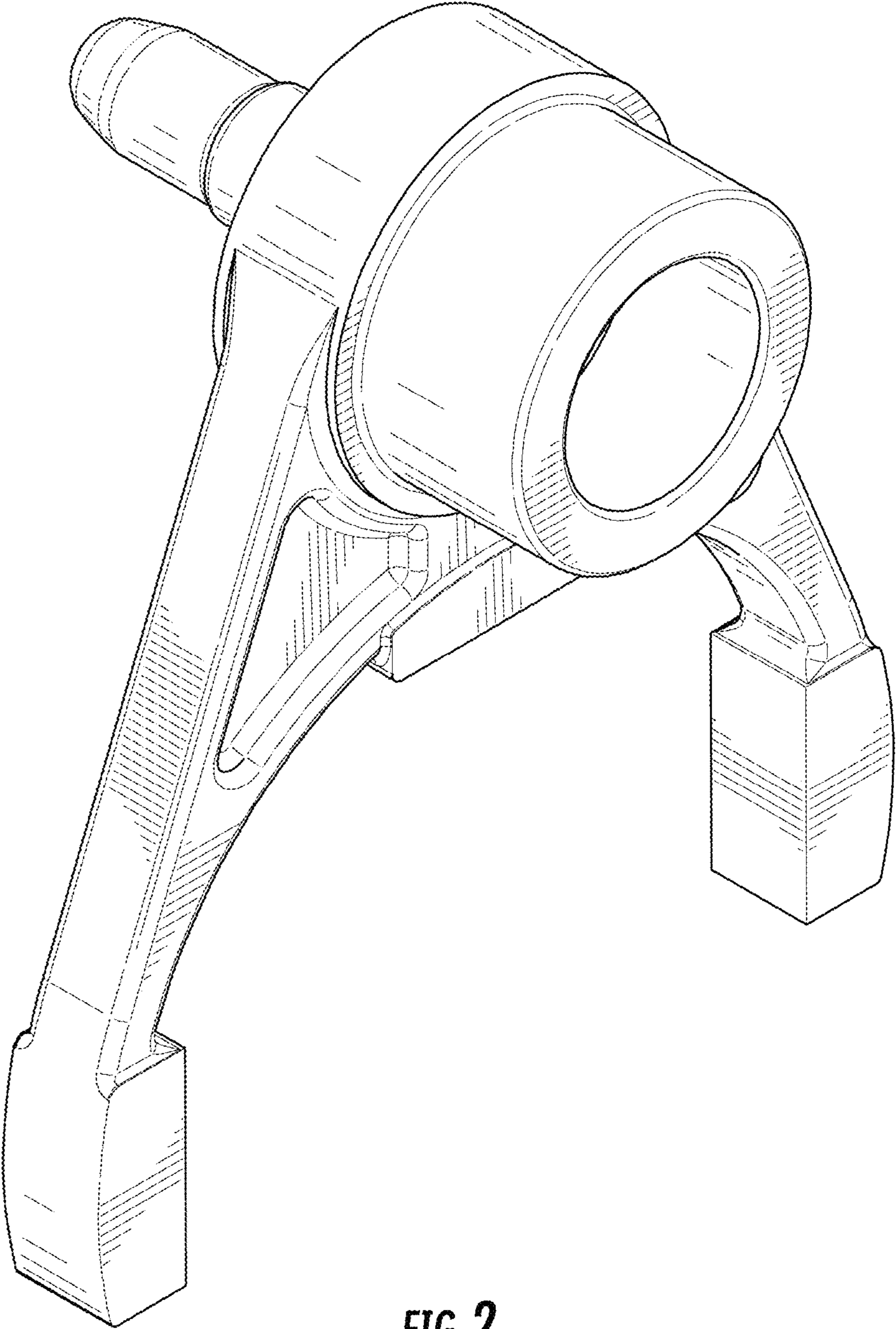


FIG. 2

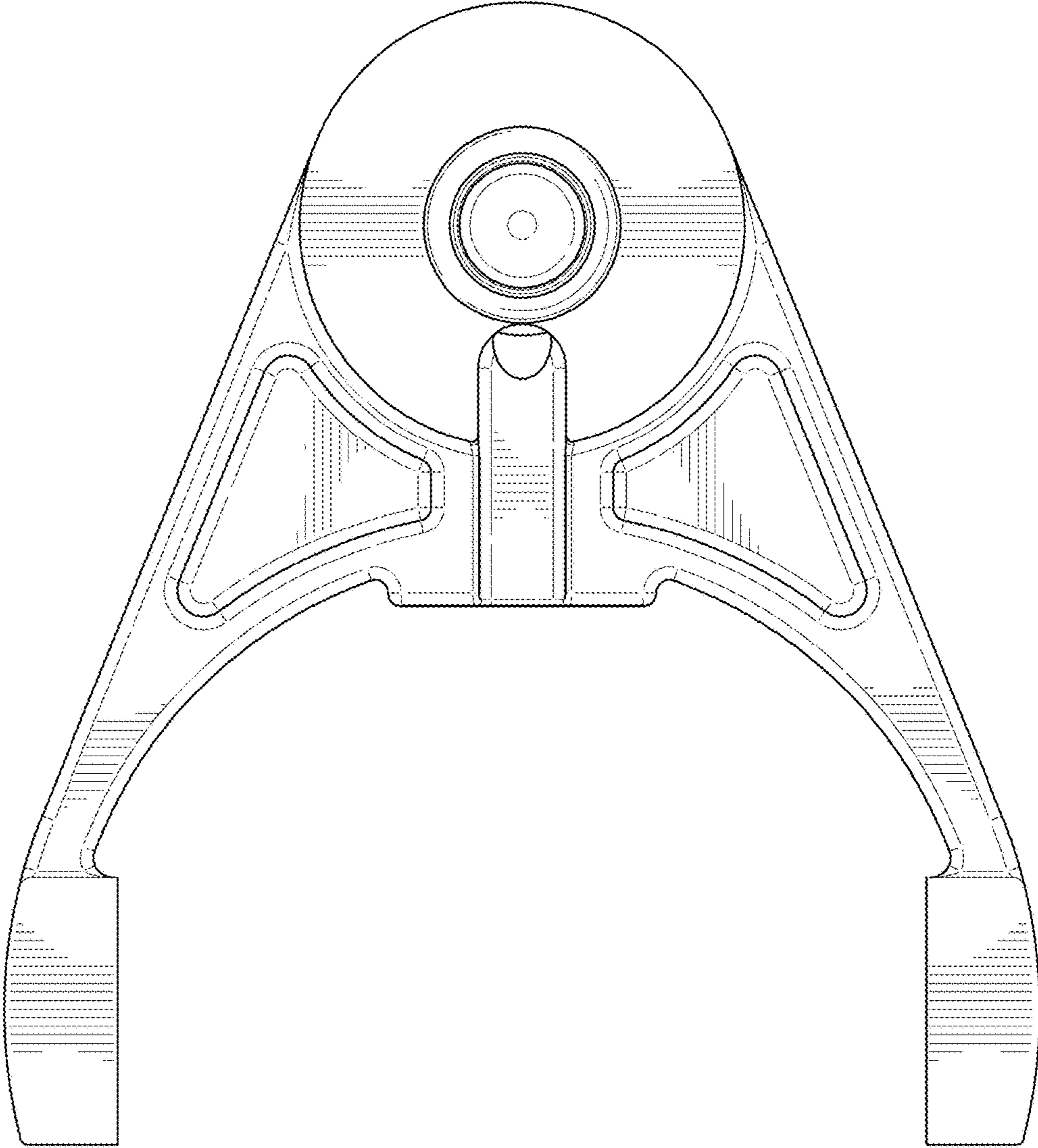


FIG. 3

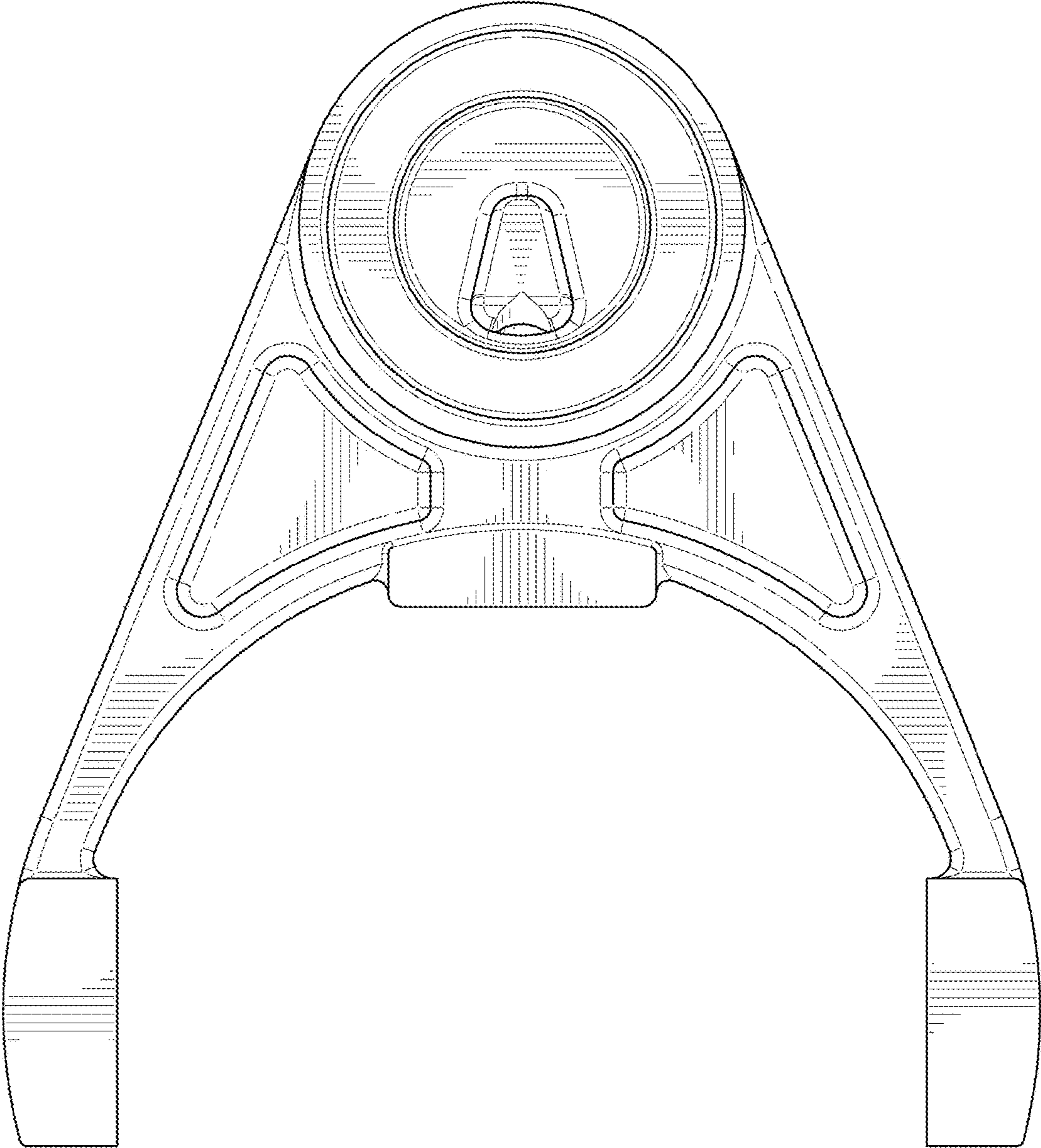


FIG. 4

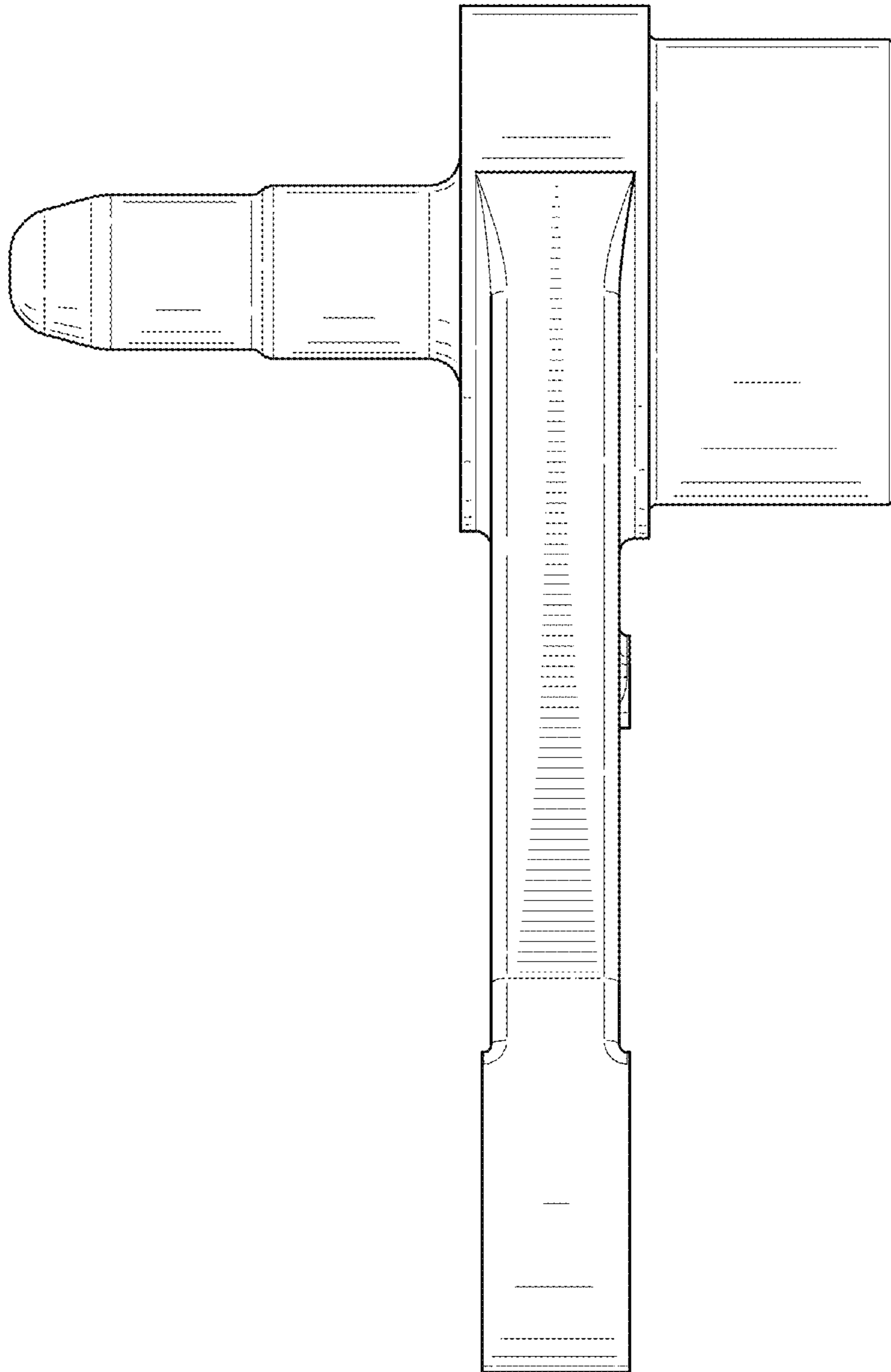


FIG. 5

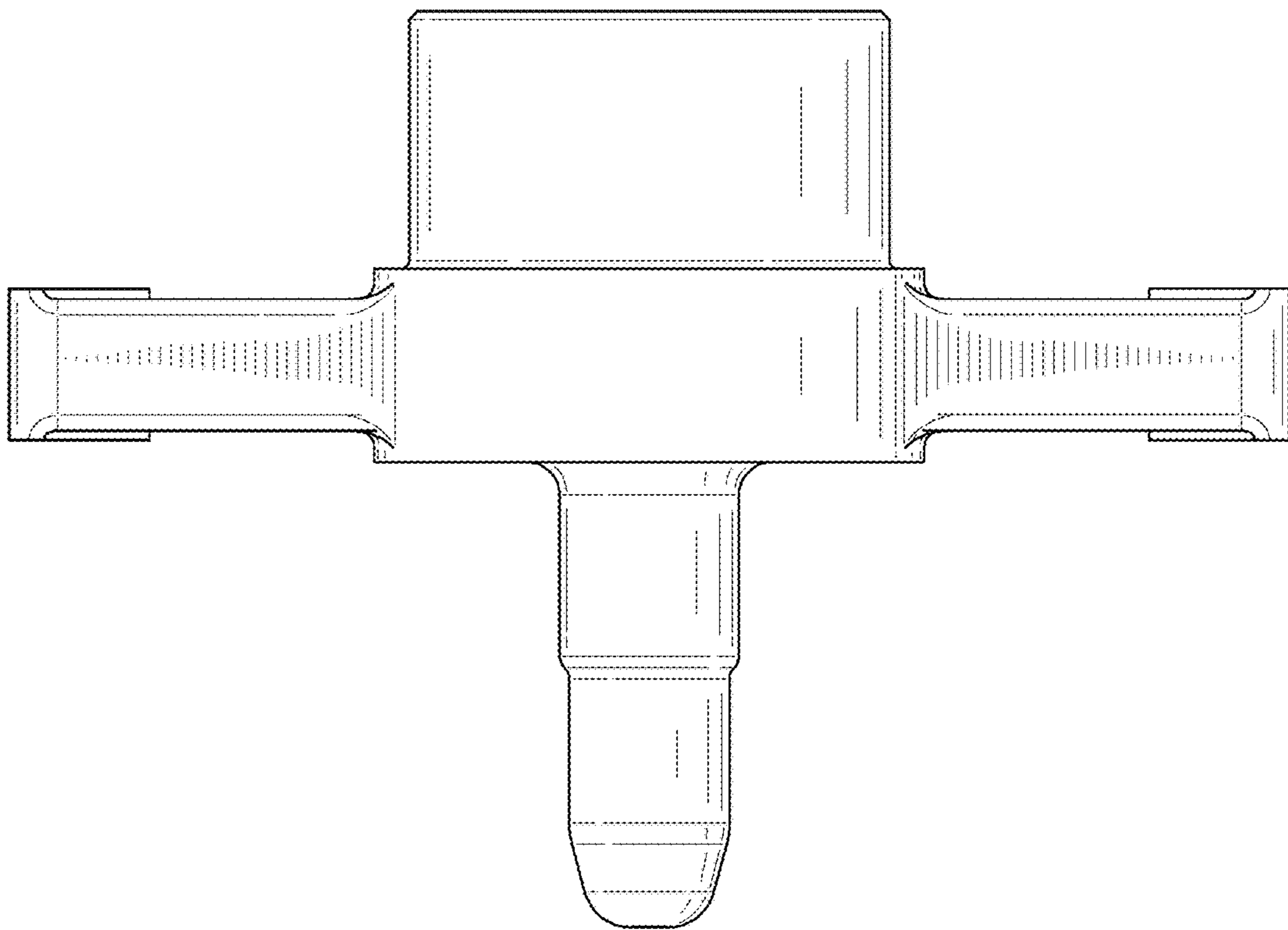


FIG. 6

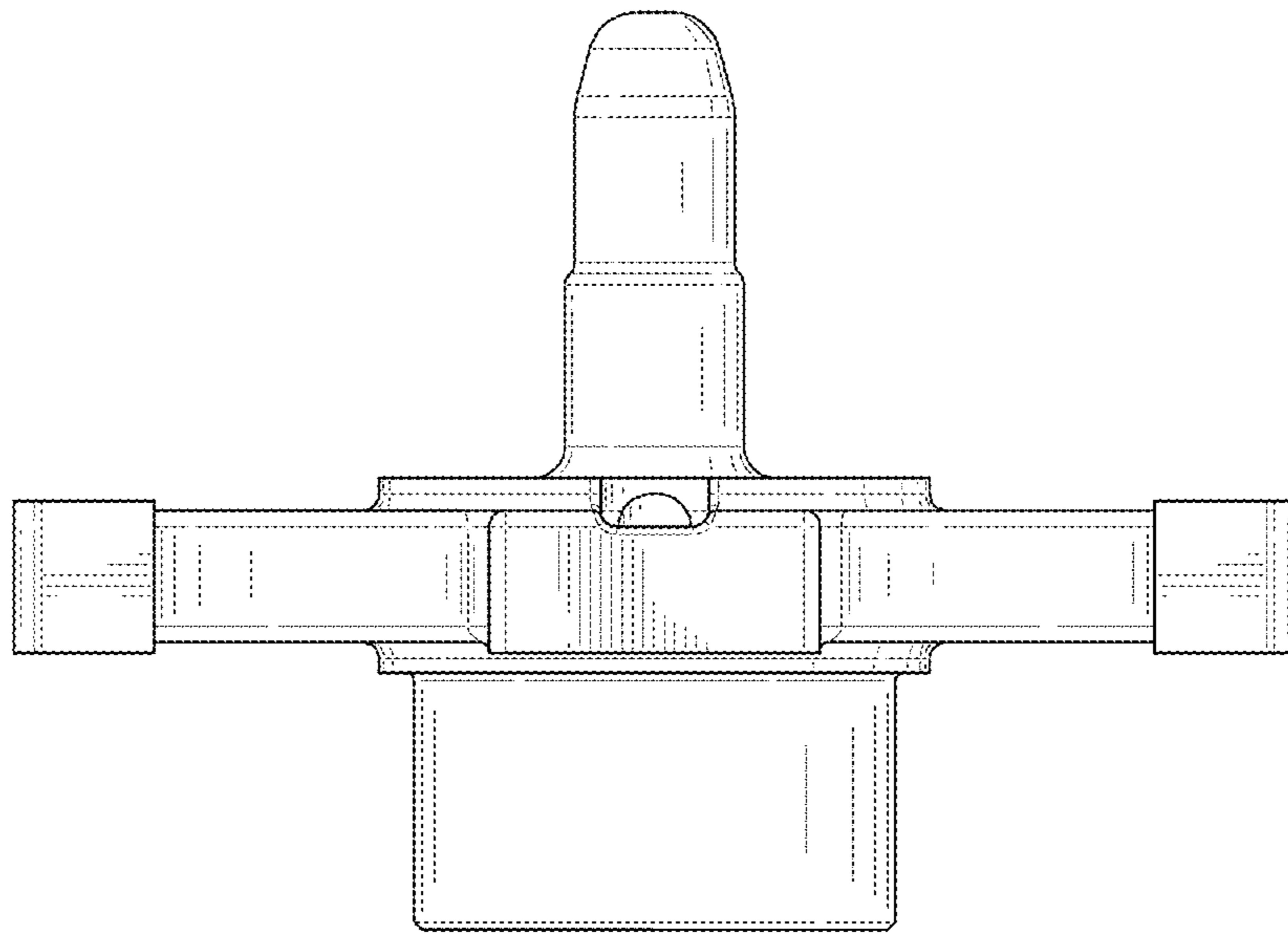


FIG. 7