



US00D790414S

(12) **United States Design Patent**
Futschik et al.

(10) **Patent No.:** **US D790,414 S**
(45) **Date of Patent:** **** Jun. 27, 2017**

(54) **FRONT PORTION OF A VEHICLE, TOY,
AND/OR REPLICAS THEREOF**

(71) Applicant: **Daimler AG**, Stuttgart (DE)

(72) Inventors: **Hans-Dieter Futschik**, Gechingen (DE); **Gorden Wagener**, Gaeufelden (DE); **Robert Lesnik**, Leonberg (DE)

(73) Assignee: **Daimler AG**, Stuttgart (DE)

(**) Term: **15 Years**

(21) Appl. No.: **29/555,971**

(22) Filed: **Feb. 26, 2016**

(30) **Foreign Application Priority Data**

Aug. 31, 2015 (WO) DM/087908

(51) **LOC (10) Cl.** **12-16**

(52) **U.S. Cl.**
USPC **D12/164**

(58) **Field of Classification Search**
USPC D12/86, 90-92, 164; D21/421, 433, 434;
296/181.1, 181.5
CPC B62D 35/00; B62D 25/00; B62D 25/06;
B62D 25/08; B62D 33/00
See application file for complete search history.

(56) **References Cited**

U.S. PATENT DOCUMENTS

D612,777 S * 3/2010 Bauer D12/164
D664,070 S 7/2012 Futschik et al.
D664,078 S 7/2012 Futschik et al.
D701,798 S * 4/2014 Futschik D12/164

D716,198 S * 10/2014 Futschik D12/164
D721,299 S * 1/2015 Fetherston D12/92
D753,550 S * 4/2016 Asal D12/92
D758,250 S * 6/2016 Lesnik D12/92
D761,159 S * 7/2016 Lesnik D12/92
D769,156 S * 10/2016 Lesnik D12/92

* cited by examiner

Primary Examiner — Melody N Brown

(74) *Attorney, Agent, or Firm* — Crowell & Moring LLP

(57) **CLAIM**

The ornamental design for a front portion of a vehicle, toy, and/or replicas thereof, as shown and described.

DESCRIPTION

This application contains subject matter related to the following co-pending U.S. design patent applications:

Application Ser. No. 29/555,970, filed herewith and entitled “Vehicle, Toy, and/or Replicas Thereof”;

Application Ser. No. 29/555,972, filed herewith and entitled “Front Bumper for a Vehicle”;

Application Ser. No. 29/555,973, filed herewith and entitled “Radiator Grill for a Vehicle”; and,

Application Ser. No. 29/555,974, filed herewith and entitled “Radiator Grill for a Vehicle”.

FIG. 1 is a left, front perspective view of a front portion of a vehicle, toy, and/or replicas thereof according to the design;

FIG. 2 is a left side view thereof;

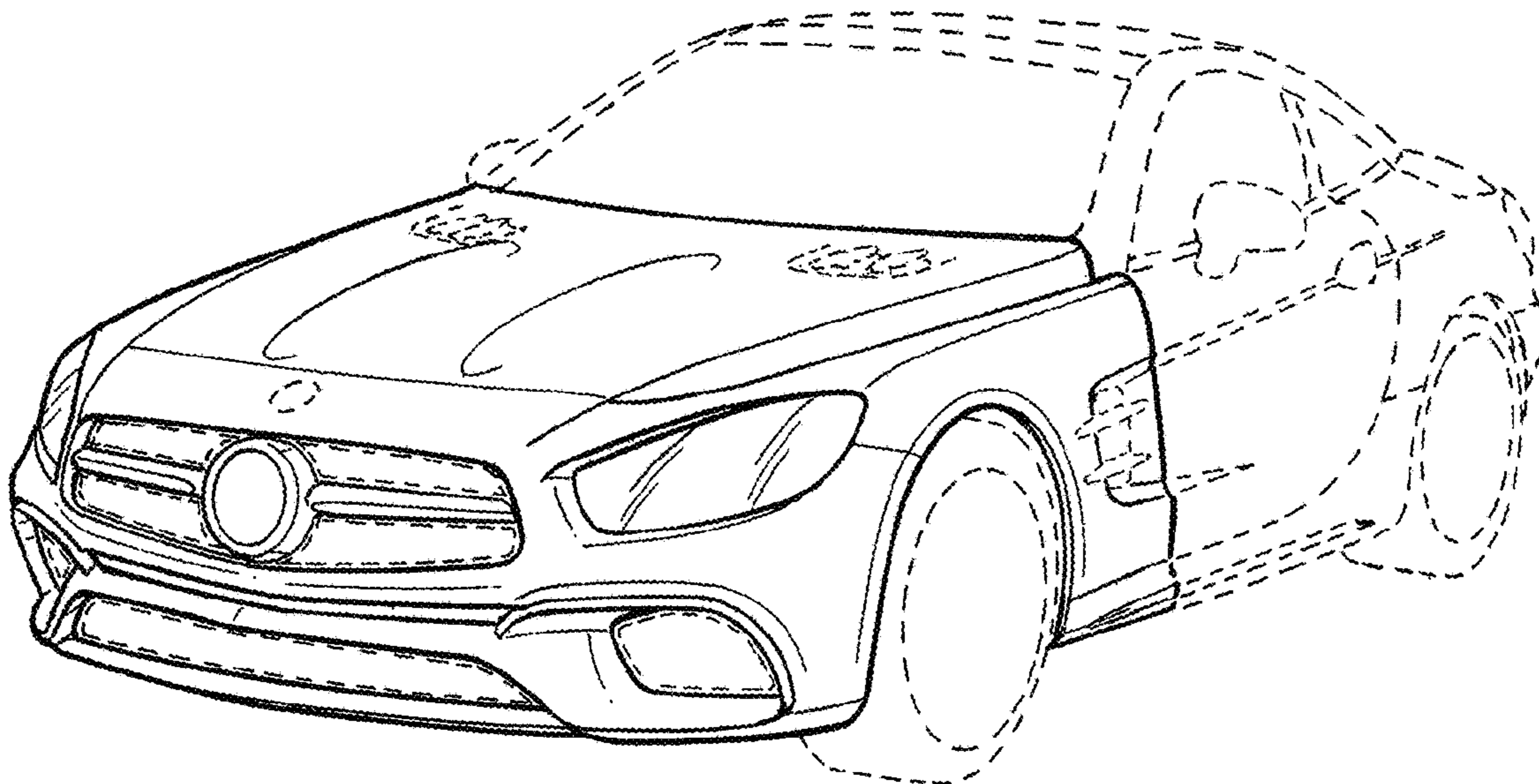
FIG. 3 is a right side view thereof;

FIG. 4 is a front view thereof; and,

FIG. 5 is a top view thereof.

The broken lines are for illustrative purposes only and form no part of the claimed design.

1 Claim, 5 Drawing Sheets



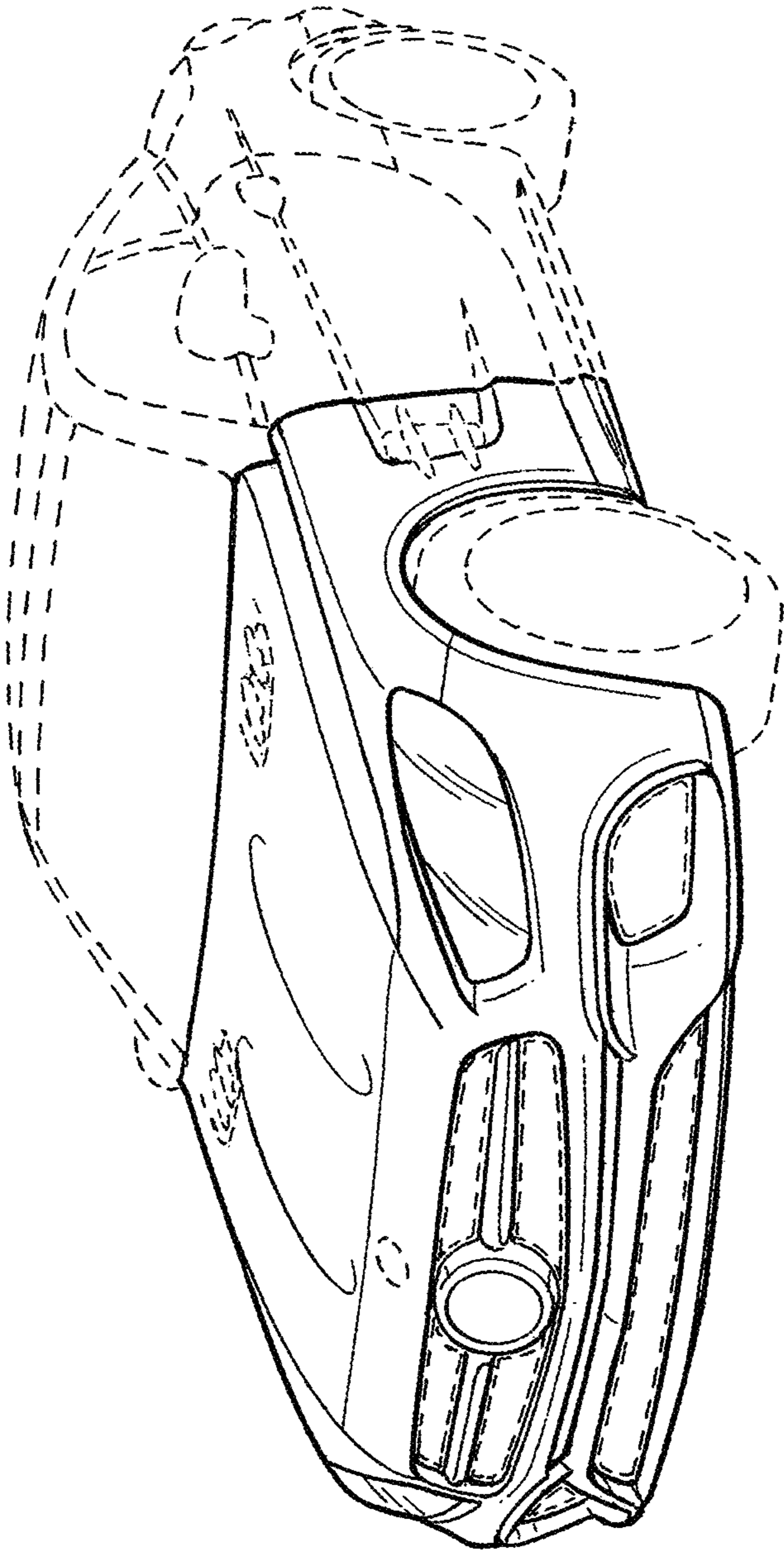


FIG. 1

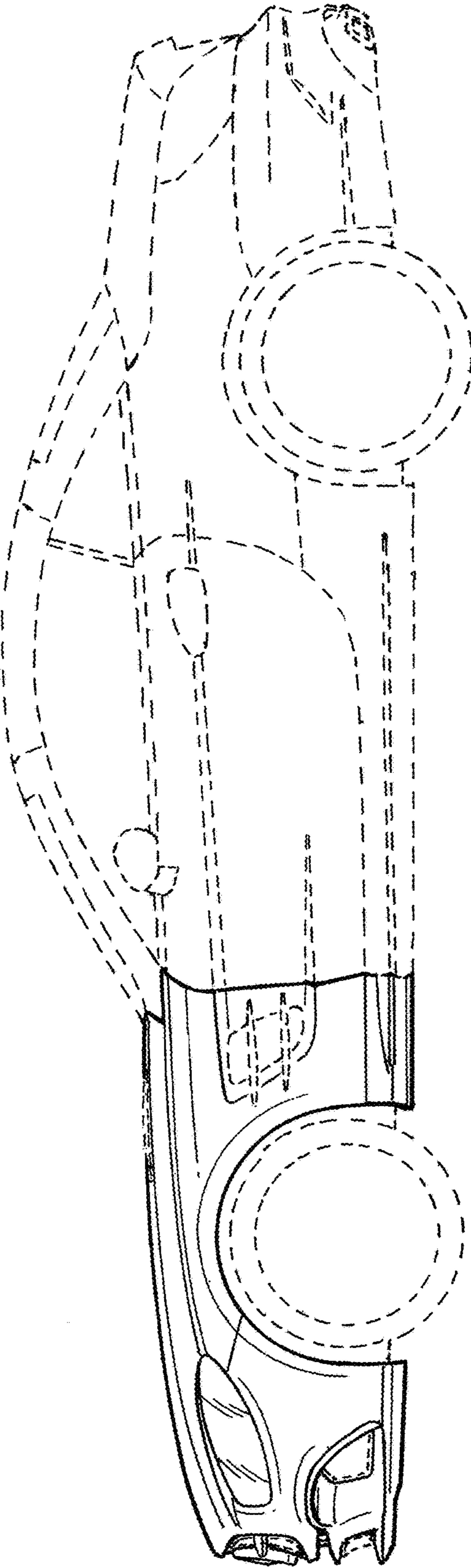


FIG. 2

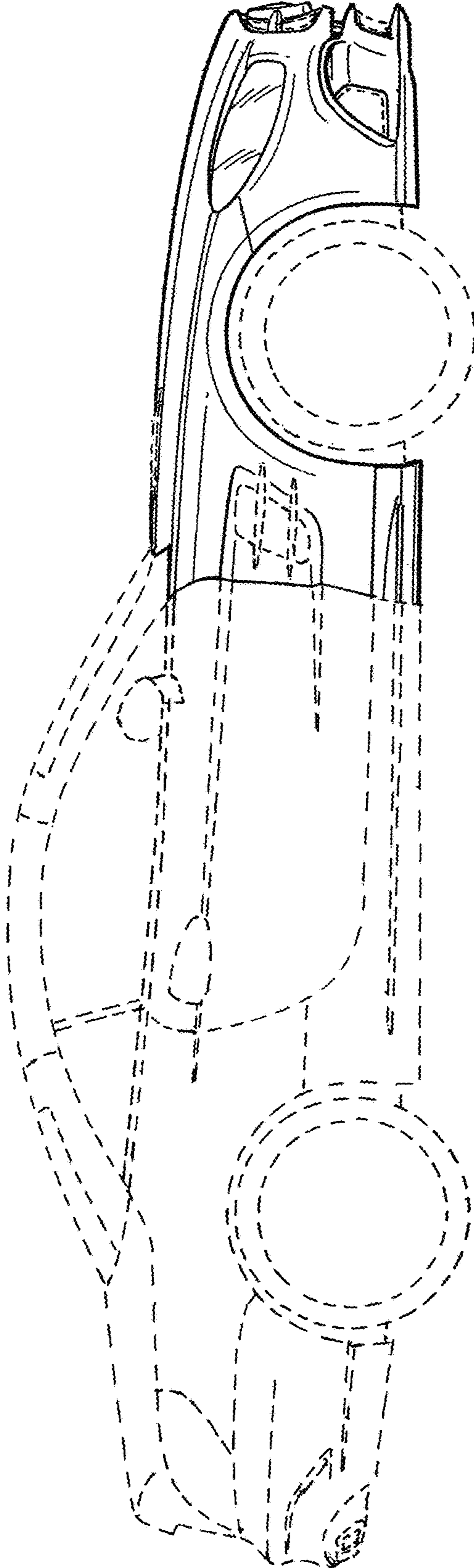


FIG. 3

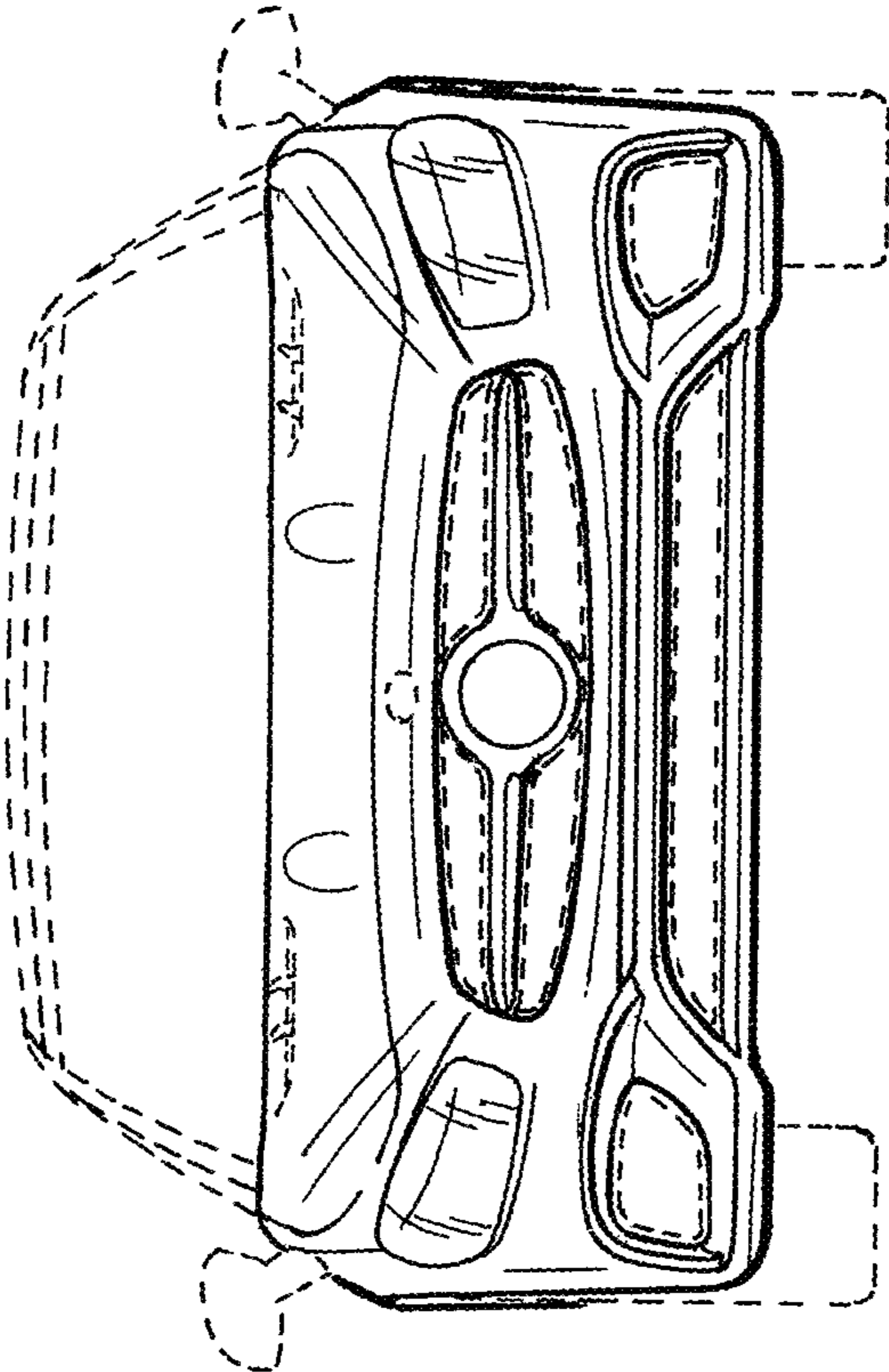


FIG. 4

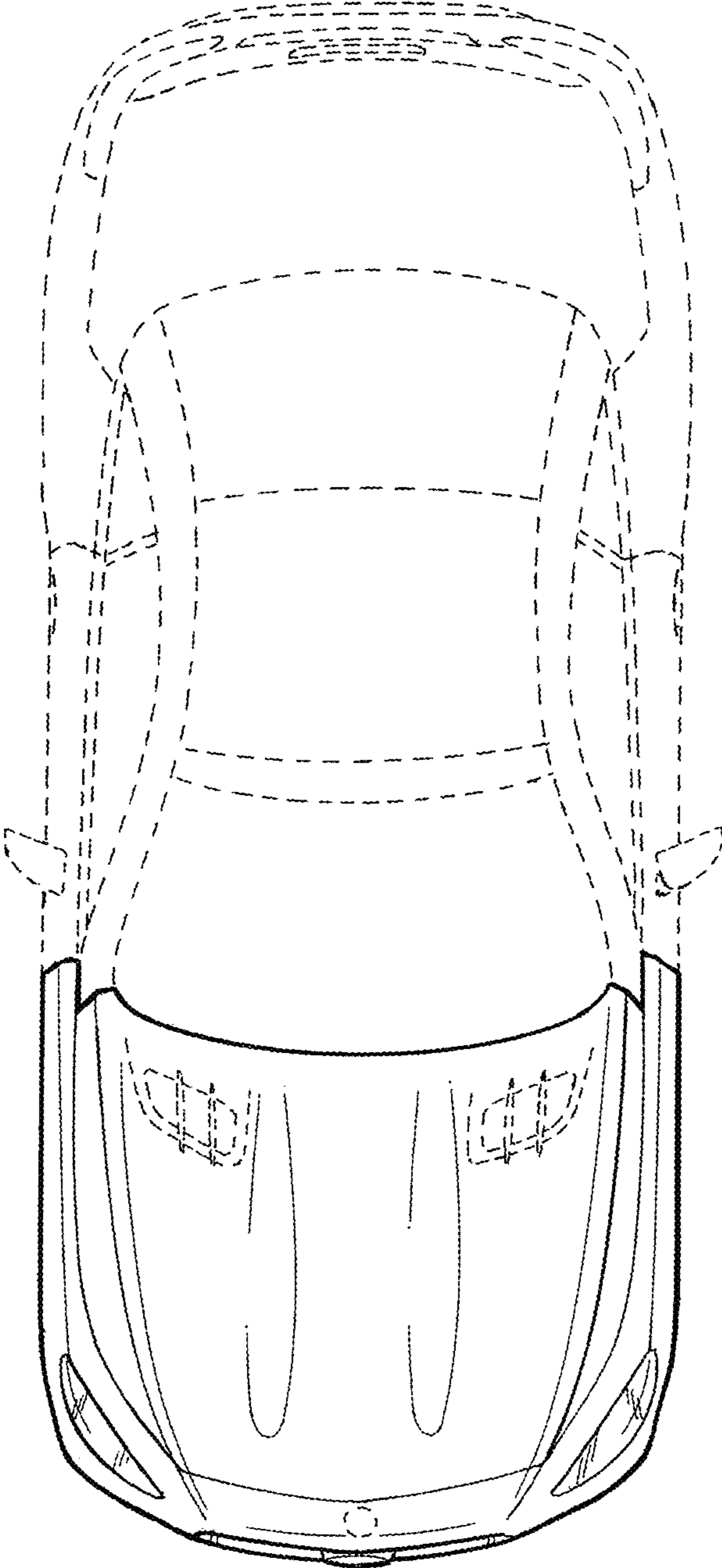


FIG. 5