



US00D790413S

(12) **United States Design Patent**
Doyle et al.

(10) **Patent No.:** **US D790,413 S**
(45) **Date of Patent:** **** Jun. 27, 2017**

(54) **AUTOMOBILE FRONT END**
(71) Applicants: **Timothy A Doyle**, Rochester, MI (US);
Simeon Kim, Birmingham, MI (US)
(72) Inventors: **Timothy A Doyle**, Rochester, MI (US);
Simeon Kim, Birmingham, MI (US)
(73) Assignee: **FCA US LLC**, Auburn Hills, MI (US)
(**) Term: **15 Years**

D734,690 S * 7/2015 Ahn D12/91
D749,474 S * 2/2016 Battams D12/169
D769,139 S * 10/2016 Thrasher D10/78
D778,786 S * 2/2017 Giolito D12/91
D782,374 S * 3/2017 Wheel D12/169
D783,469 S * 4/2017 Patel D12/164

* cited by examiner

Primary Examiner — Melody N Brown

(74) *Attorney, Agent, or Firm* — Michelle Madak

(21) Appl. No.: **29/553,485**
(22) Filed: **Feb. 2, 2016**
(51) **LOC (10) Cl.** **12-16**
(52) **U.S. Cl.**
USPC **D12/164**
(58) **Field of Classification Search**
USPC D12/86, 90–92, 164; D21/421, 433, 434;
296/181.1, 181.5
CPC B62D 35/00; B62D 25/00; B62D 25/06;
B62D 25/08; B62D 33/00
See application file for complete search history.

(57) **CLAIM**

The ornamental design for an automobile front end, as shown and described.

DESCRIPTION

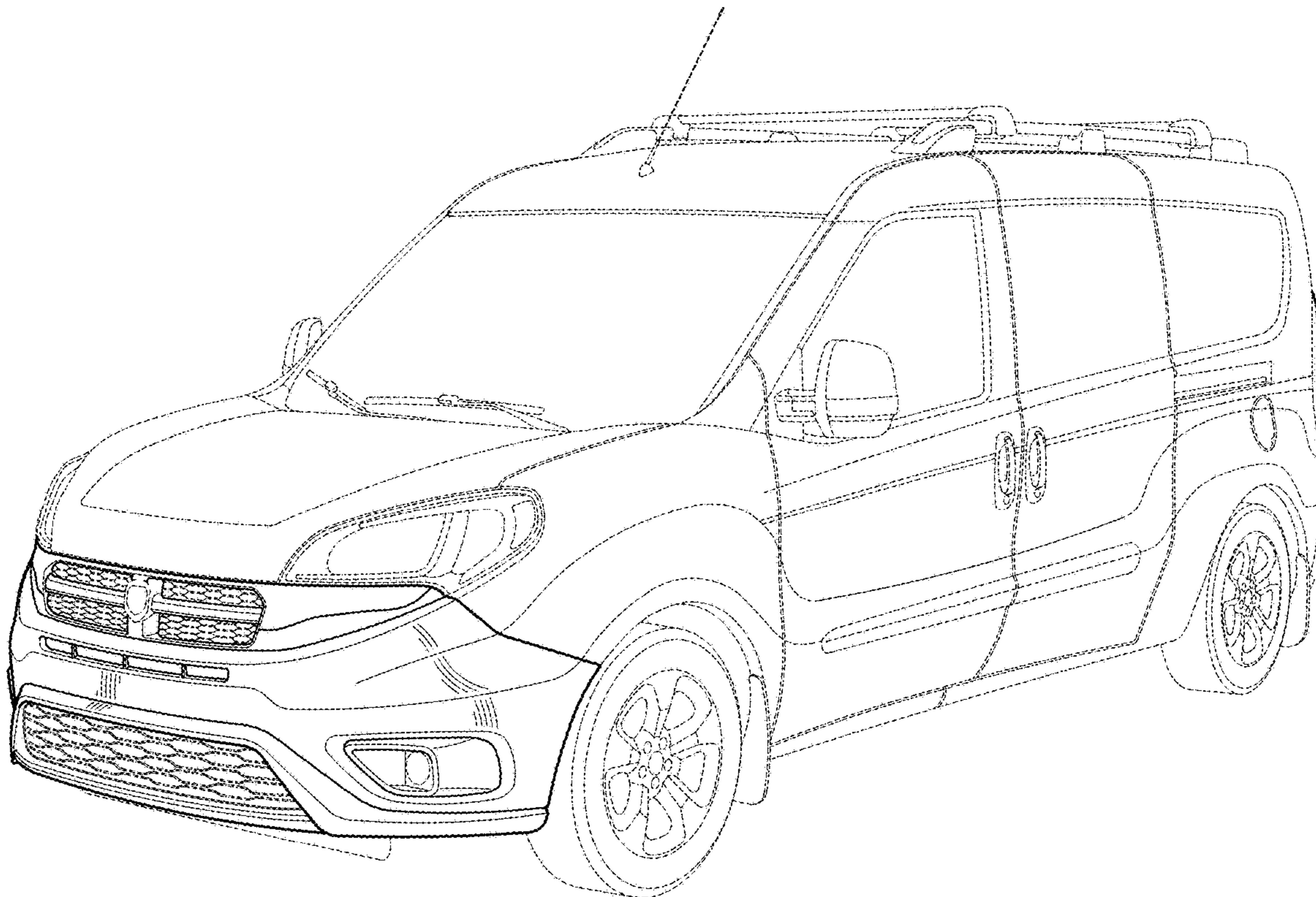
FIG. 1 is a front perspective view of an automobile having the automobile front end showing our new design; FIG. 2 is a side elevational view thereof; FIG. 3 is an opposite side elevational view thereof; and, FIG. 4 is a front elevational view thereof. It will be understood that the broken lines shown in the drawings illustrate portions of the automobile front end that form no part of claimed design.

(56) **References Cited**

U.S. PATENT DOCUMENTS

D732,429 S * 6/2015 Loeb D12/91
D732,431 S * 6/2015 Loeb D12/91

1 Claim, 4 Drawing Sheets



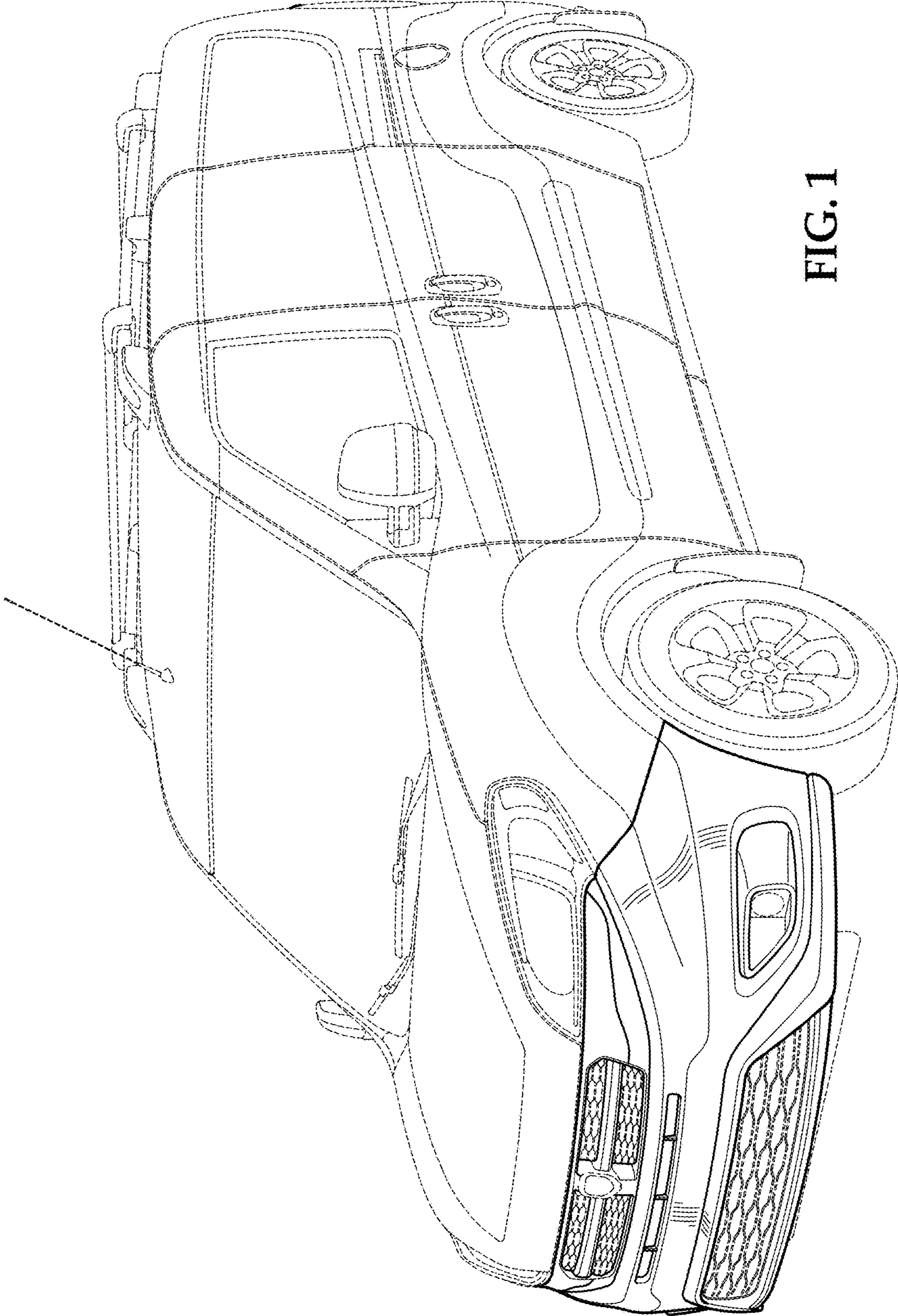


FIG. 1

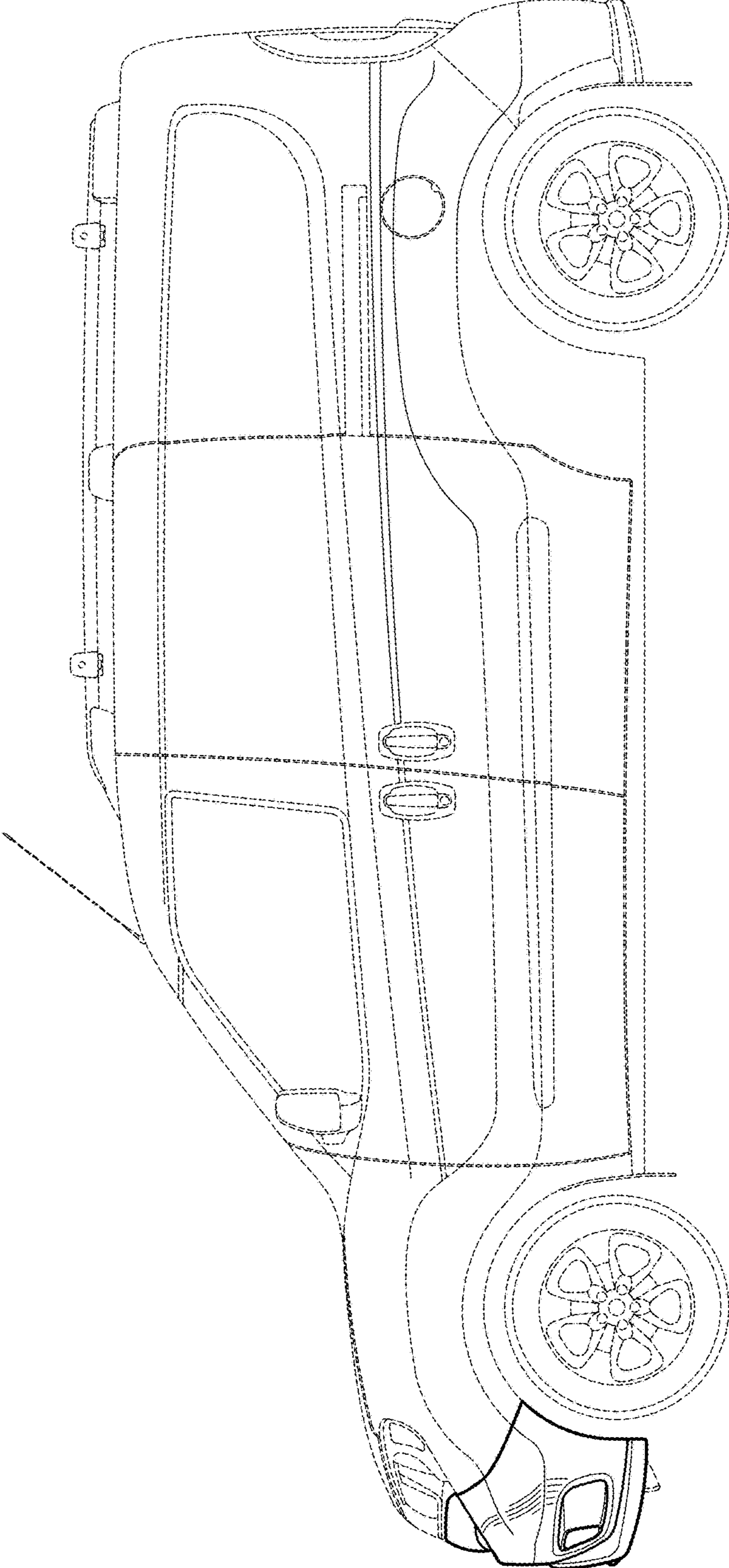


FIG. 2

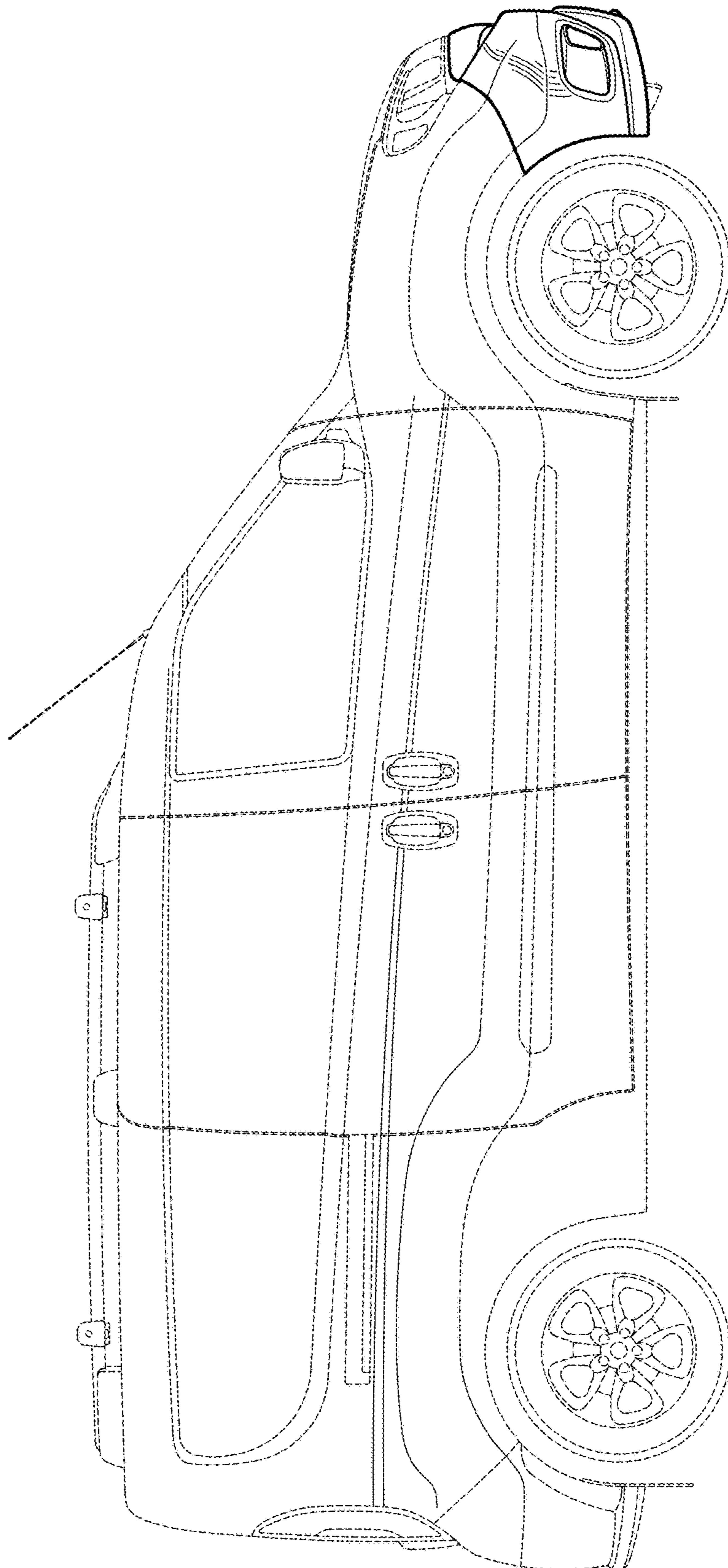


FIG. 3

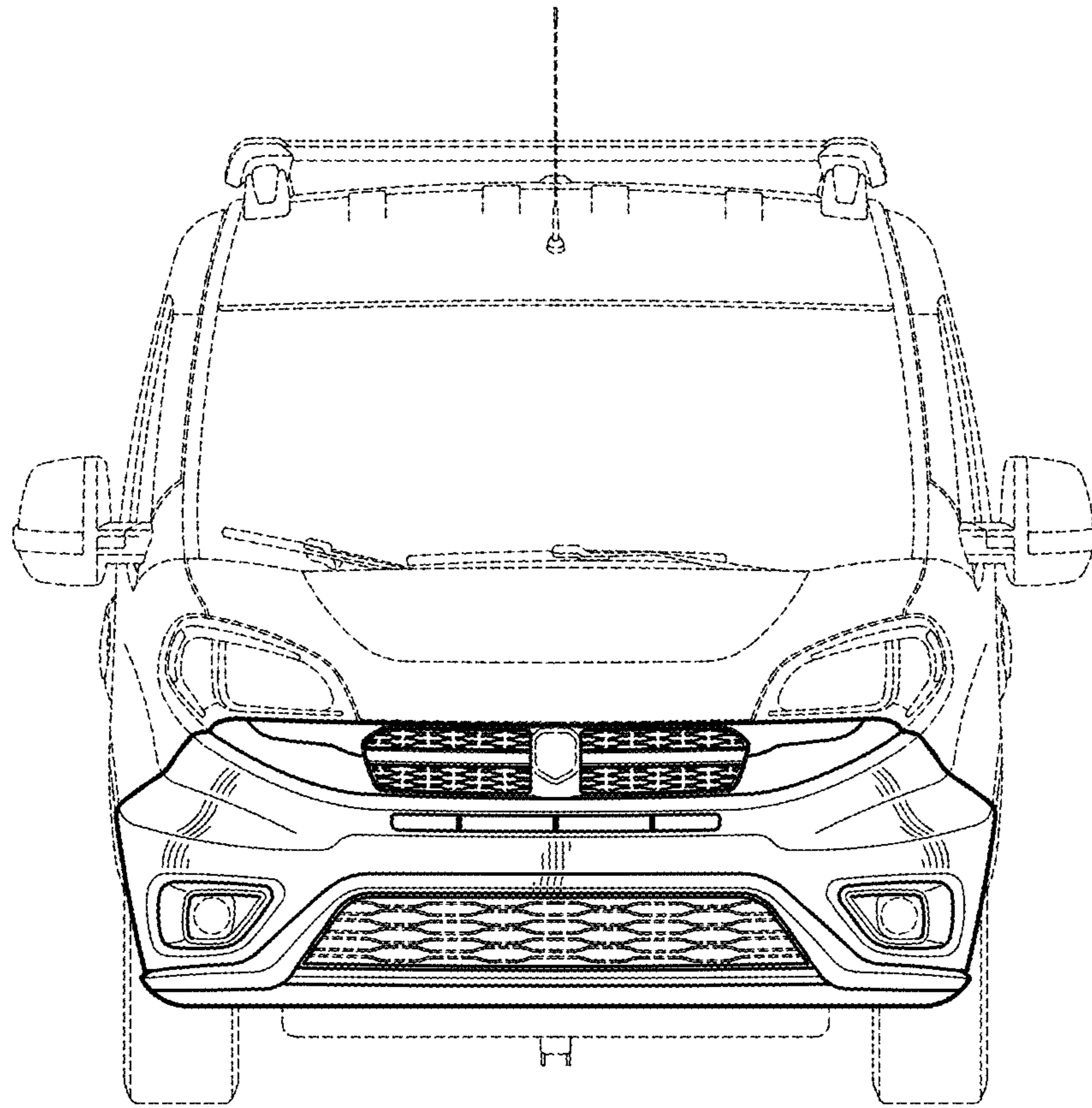


FIG. 4