

US00D790411S

(12) **United States Design Patent**
Labanowicz

(10) **Patent No.:** **US D790,411 S**

(45) **Date of Patent:** **** Jun. 27, 2017**

(54) **RADIATOR GRILL**

D775,554 S * 1/2017 Kapitonov D12/163
D780,645 S * 3/2017 Bucher D12/163
D783,466 S * 4/2017 Svensson D12/163

(71) Applicant: **AUDI AG**, Ingolstadt (DE)

* cited by examiner

(72) Inventor: **Kamil Labanowicz**, Ingolstadt (DE)

Primary Examiner — Melody N. Brown

(73) Assignee: **AUDI AG**, Ingolstadt (DE)

(74) *Attorney, Agent, or Firm* — Lucas & Mercanti, LLP;
Klaus P. Stoffel

(**) Term: **15 Years**

(21) Appl. No.: **29/553,875**

(22) Filed: **Feb. 5, 2016**

(57) **CLAIM**

(30) **Foreign Application Priority Data**

Aug. 6, 2015 (EM) 002 750 489-0004

The ornamental design for a radiator grill, as shown and described.

(51) **LOC (10) Cl.** **12-16**

(52) **U.S. Cl.**
USPC **D12/163**

DESCRIPTION

(58) **Field of Classification Search**
USPC D12/163, 196, 86, 90-92, 171, 169, 216;
180/68.1, 68.6; 293/193.11
CPC B62D 25/08; B62B 9/16; B60K 11/08;
B60R 19/52
See application file for complete search history.

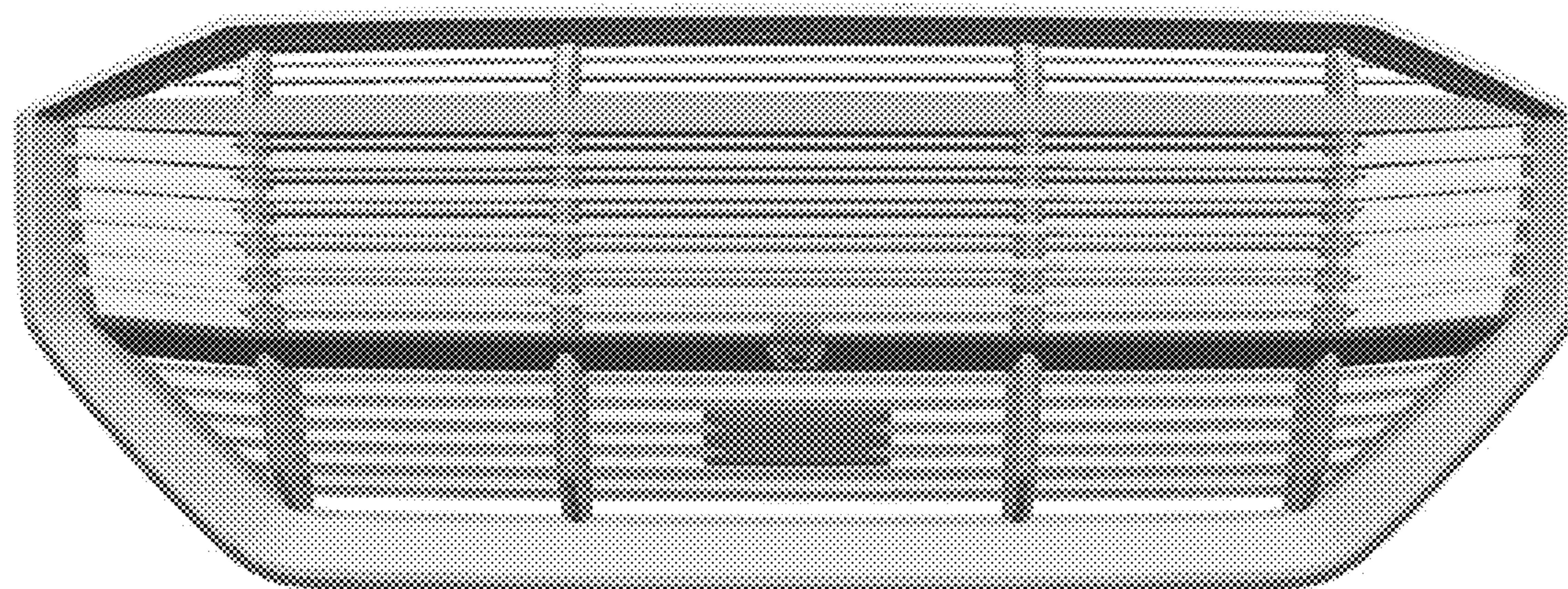
FIG. 1 is a front view of the radiator grill of the present invention; and
FIG. 2 is a front and left side perspective view thereof;
FIG. 3 is a left side view thereof;
FIG. 4 is a right side view thereof;
FIG. 5 is a top view thereof; and,
FIG. 6 is a bottom view thereof.

(56) **References Cited**

U.S. PATENT DOCUMENTS

D701,797 S * 4/2014 Campbell D12/163
D718,673 S * 12/2014 Thole D12/163

1 Claim, 3 Drawing Sheets



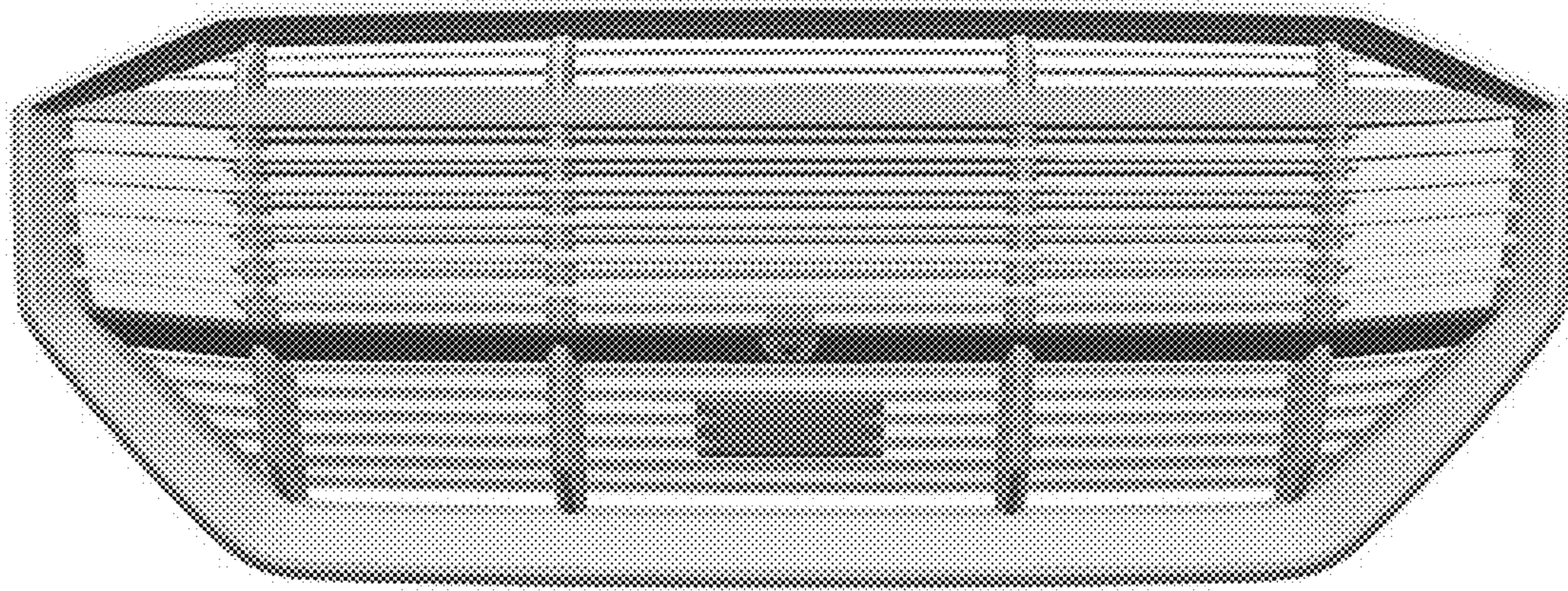


Fig. 1

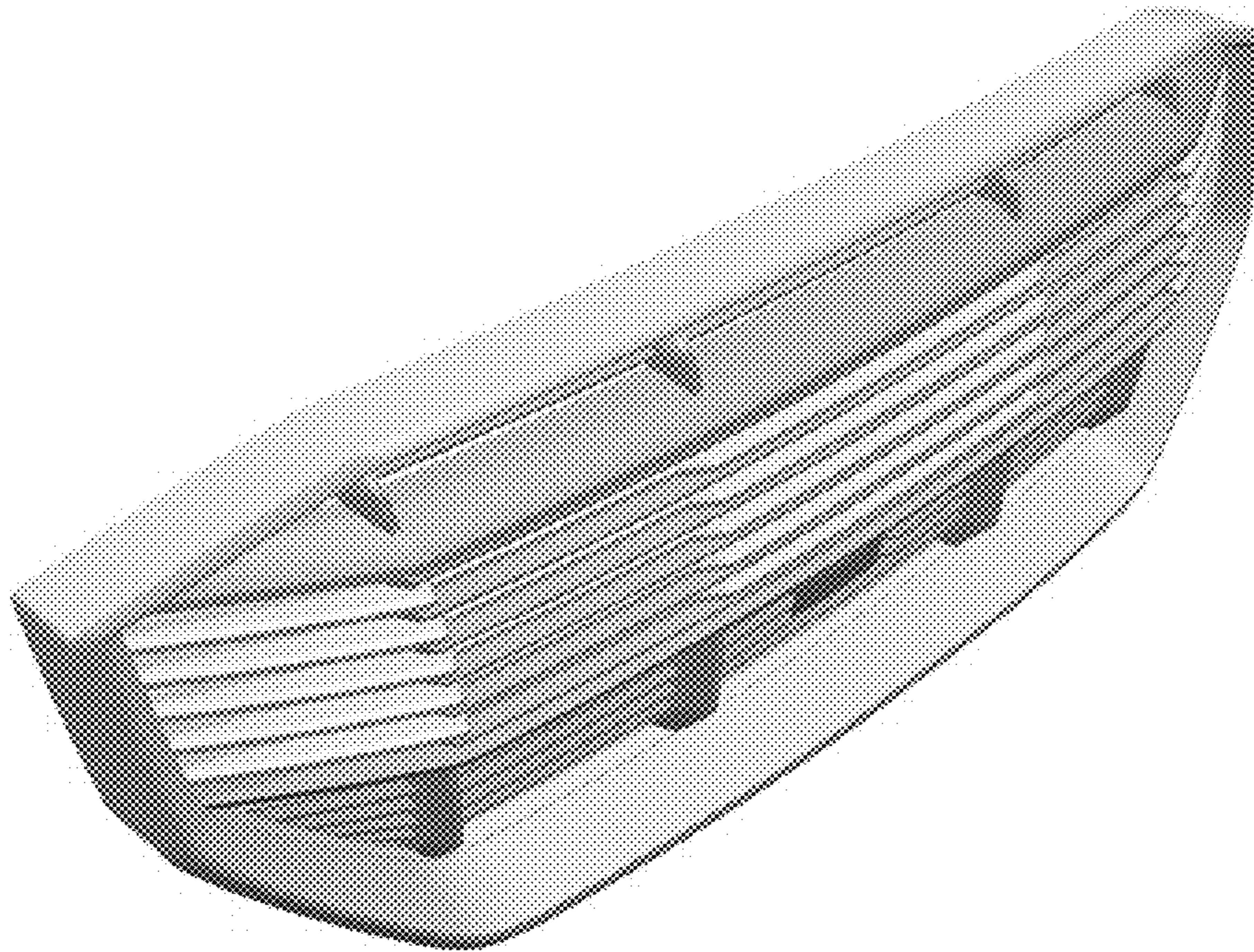


Fig. 2

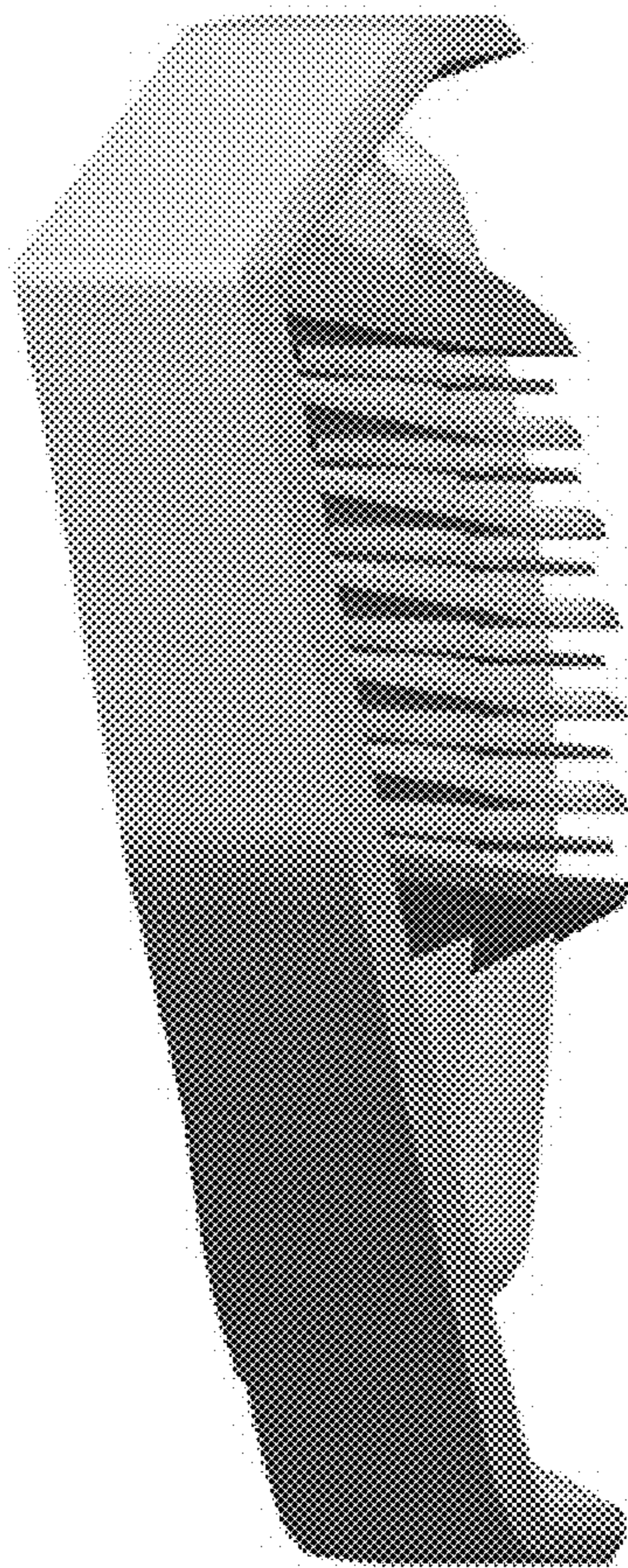


Fig. 3

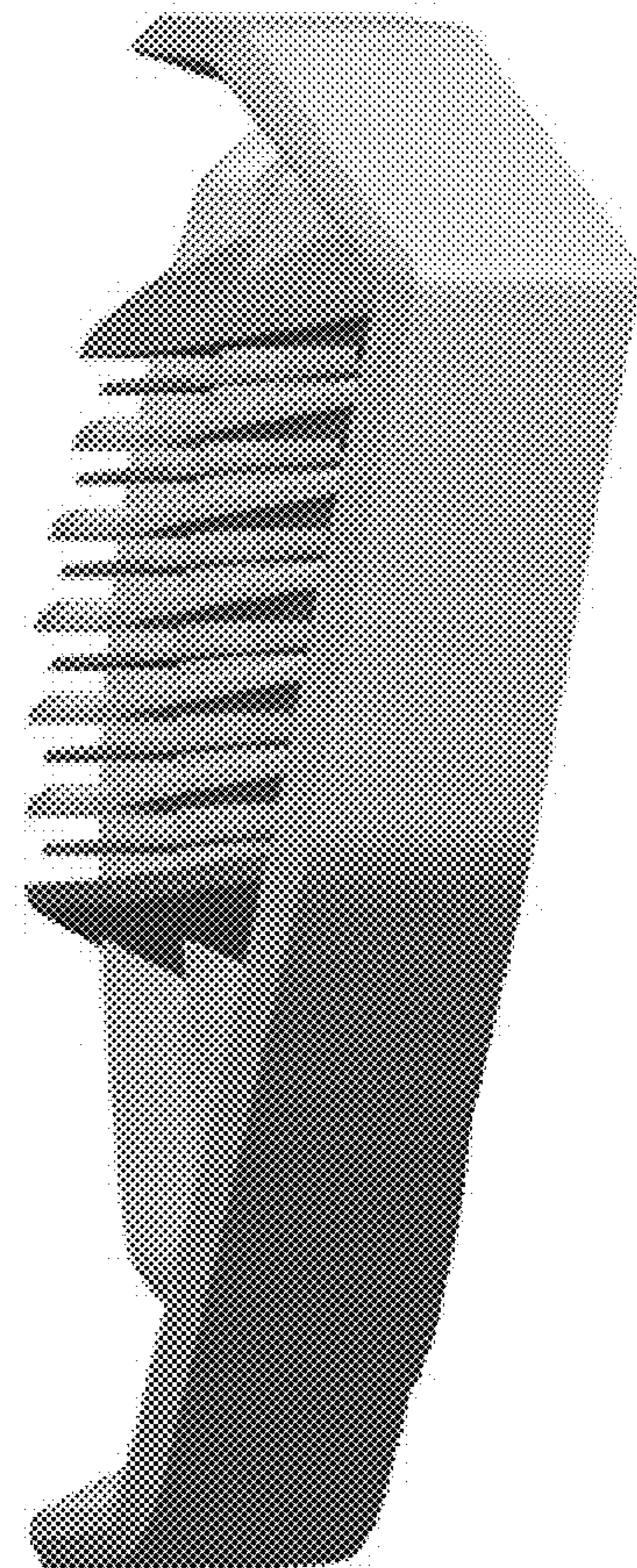


Fig. 4

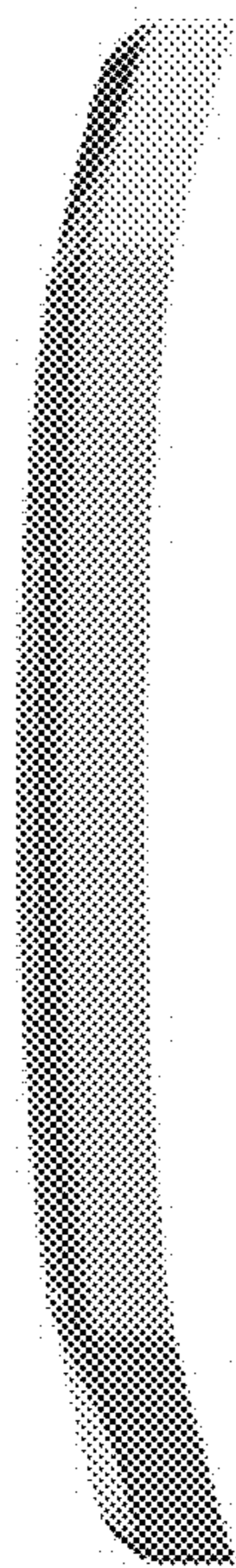


Fig. 5

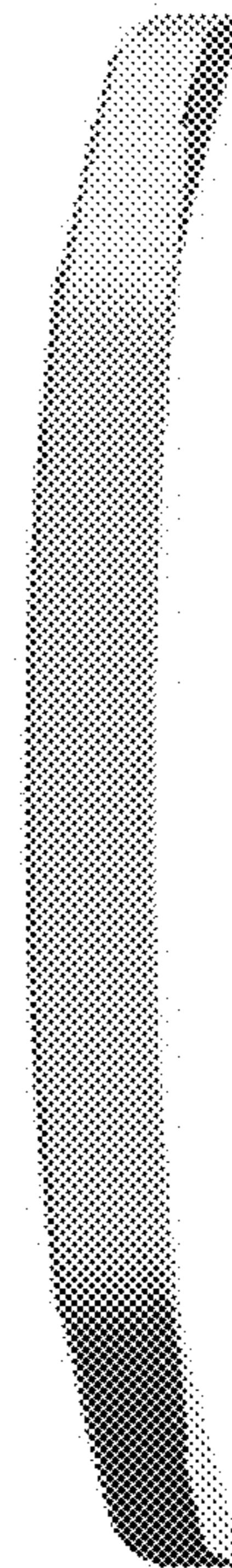


Fig. 6