



US00D790408S

(12) **United States Design Patent** (10) **Patent No.:** **US D790,408 S**
Wymore et al. (45) **Date of Patent:** **** Jun. 27, 2017**

(54) **VEHICLE TOW HOOK**
(71) Applicant: **IDDEA CALIFORNIA, LLC**, Brea, CA (US)
(72) Inventors: **Timothy J. Wymore**, Yorba Linda, CA (US); **David Warren Williams**, Lake Elsinore, CA (US)
(73) Assignee: **Iddea California, LLC**, Brea, CA (US)
(**) Term: **15 Years**
(21) Appl. No.: **29/568,765**
(22) Filed: **Jun. 21, 2016**
(51) **LOC (10) Cl.** **12-16**
(52) **U.S. Cl.**
USPC **D12/162**
(58) **Field of Classification Search**
USPC D12/159, 160, 162, 163, 167, 169, 172, D12/400, 401, 402, 403, 404, 405, 406, D12/407, 408, 409, 410, 411, 412, 413, D12/414, 420, 414.1; D8/343, 14, 21, D8/305, 17, 27, 29, 26, 71, 107, 382
CPC ... B60D 1/04; B60D 1/06; B60D 1/46; B60D 1/58; B60D 1/065; B60D 1/60; B60D 1/00; B60D 1/605; B60D 1/52; B60D 1/046; B60D 1/465
See application file for complete search history.

D687,746 S * 8/2013 Terpsma D12/162
D687,747 S * 8/2013 Terpsma D12/162
D688,169 S * 8/2013 Terpsma D12/162
D688,172 S * 8/2013 Terpsma D12/162
D744,911 S * 12/2015 Najarro D12/162
D747,240 S * 1/2016 Myers D12/162
2004/0239077 A1* 12/2004 Terpsma B60D 1/04 280/504

OTHER PUBLICATIONS

Auto Anything, "Smittybilt GEN2 SRC Rear Bumper", website <<http://www.autoanything.com/bumpers/smittybilt-gen2-src-rear-bumper>>, Oct. 7, 2016, 3 pages.

* cited by examiner

Primary Examiner — Karen S Acker

Assistant Examiner — Jerry Hsu

(74) *Attorney, Agent, or Firm* — Stetina Brunda Garred and Brucker

(56) **References Cited**

U.S. PATENT DOCUMENTS

D351,604 S * 10/1994 Eudy D12/162
D368,246 S * 3/1996 Hinnant D12/162
D402,602 S * 12/1998 Niswanger D12/162
D495,583 S * 9/2004 Senn D8/343
6,889,995 B2 * 5/2005 Staggs B60D 1/06 280/507
D633,417 S * 3/2011 Najarro D12/162

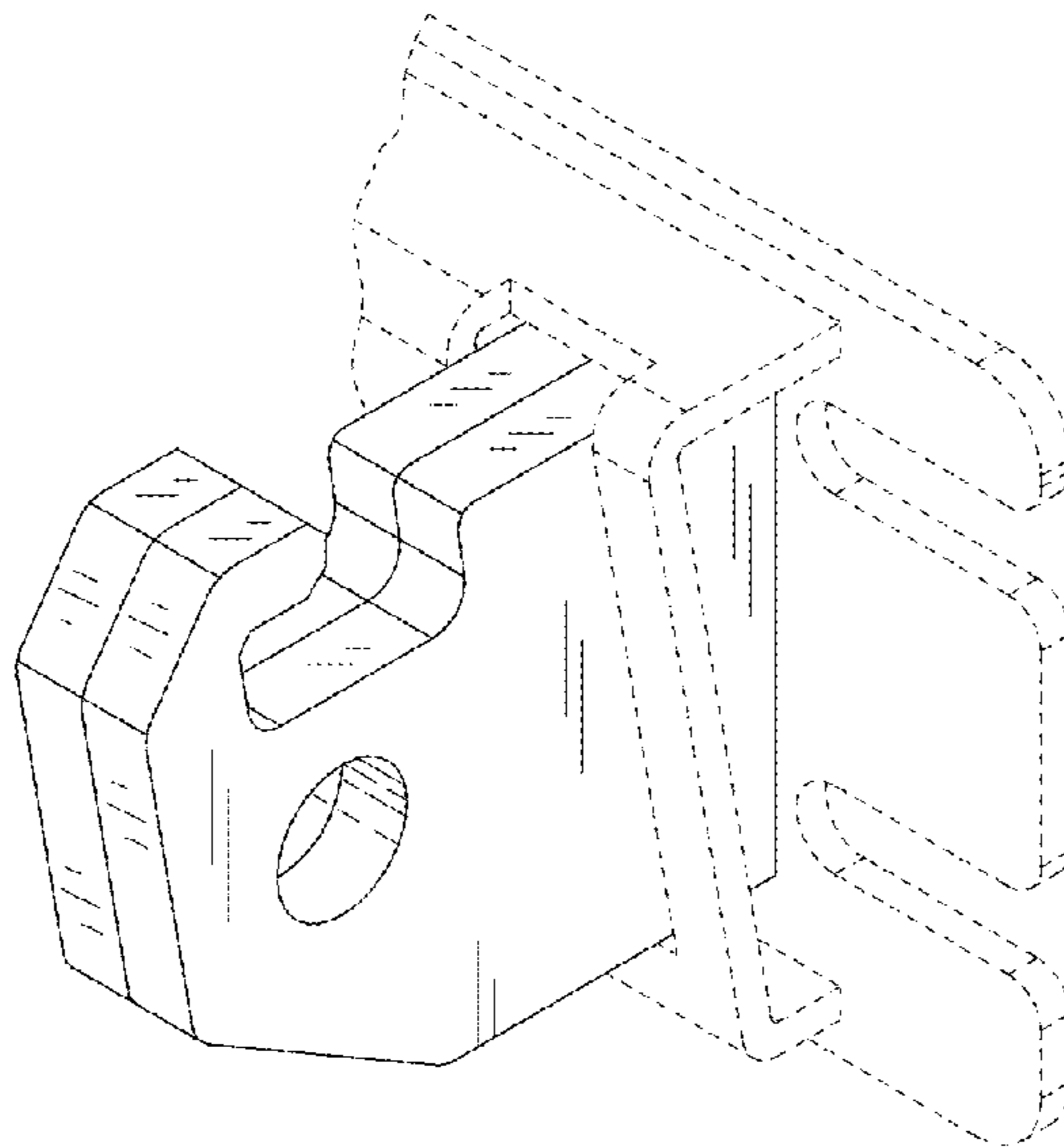
(57) **CLAIM**

The ornamental design for a vehicle tow hook, as shown and described.

DESCRIPTION

FIG. 1 is a perspective view of a vehicle tow hook showing our new design;
FIG. 2 is a top plan view thereof;
FIG. 3 is a rear end view thereof;
FIG. 4 is a elevational view thereof;
FIG. 5 is a front end view thereof; and,
FIG. 6 is a bottom plan view thereof.
The broken lines depict environmental structure that forms no part of the claimed design.

1 Claim, 1 Drawing Sheet



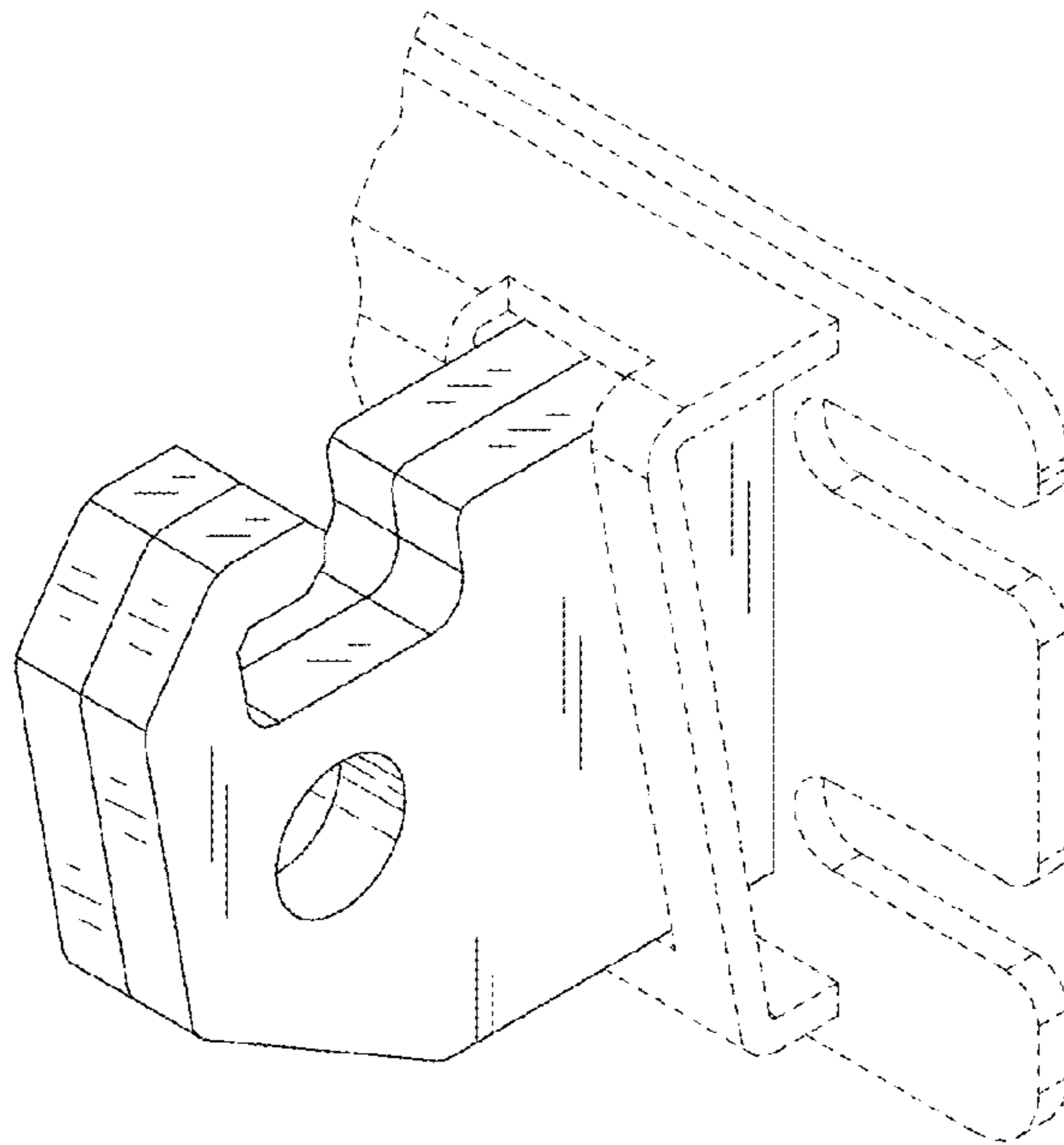


FIG. 1

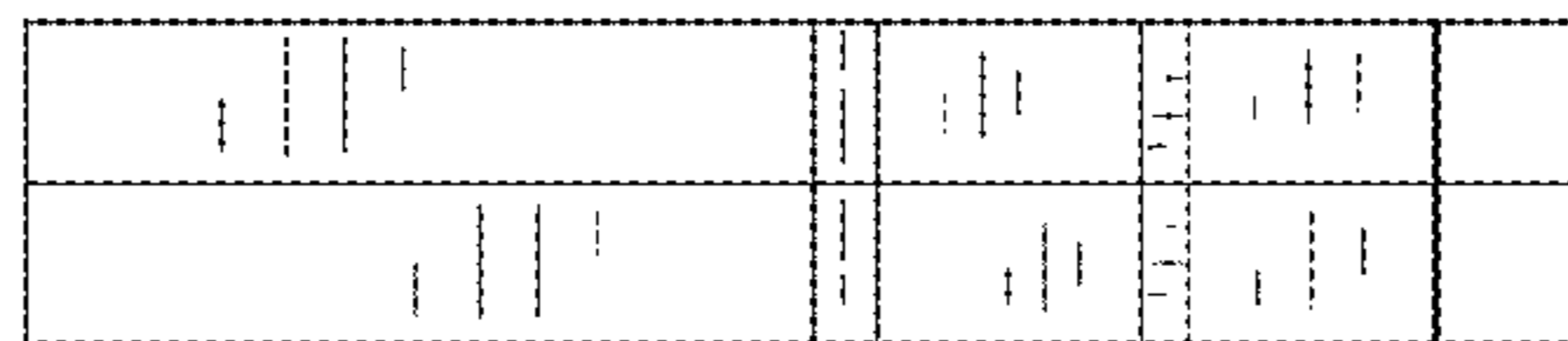


FIG. 2

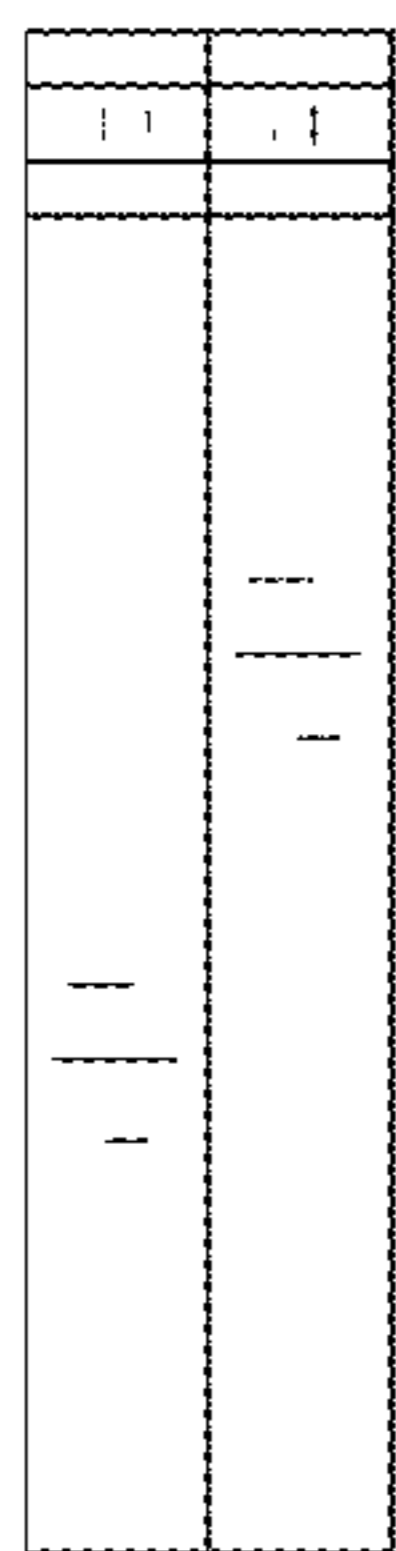


FIG. 3

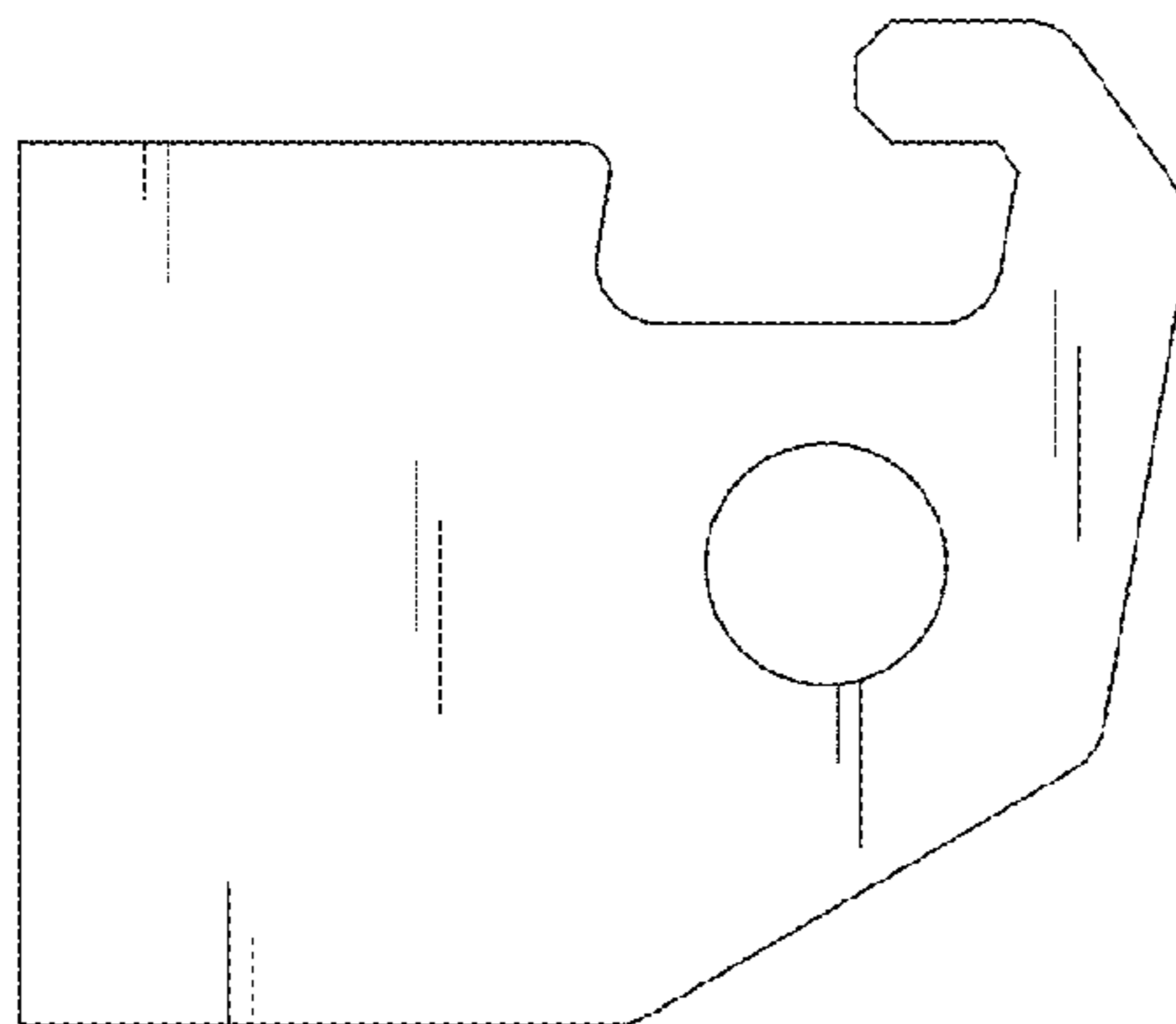


FIG. 4

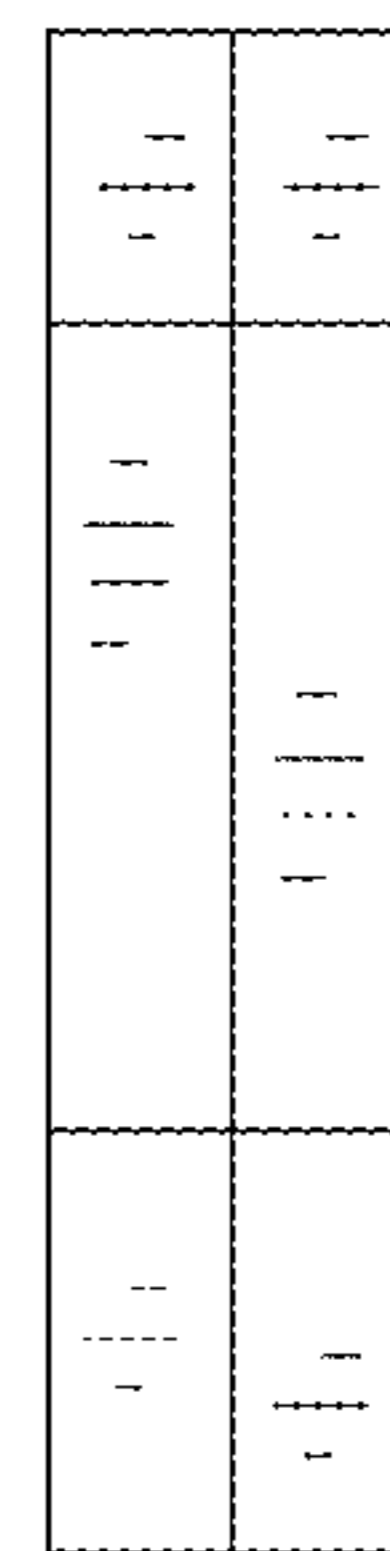


FIG. 5

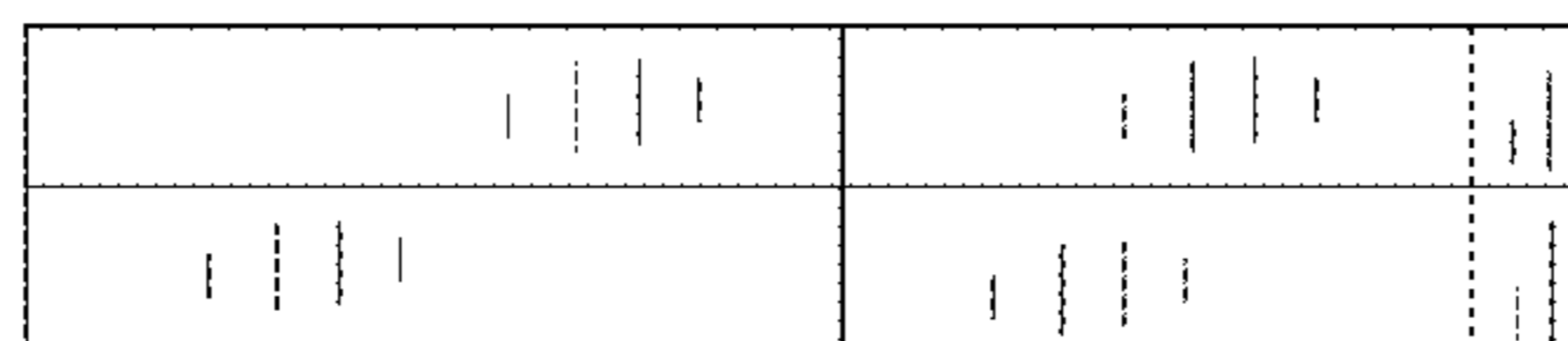


FIG. 6