



US00D790399S

(12) **United States Design Patent**
Perini

(10) **Patent No.:** **US D790,399 S**
(45) **Date of Patent:** **** Jun. 27, 2017**

(54) **MOTOR VEHICLE, TOY AND REPLICAS THEREOF**

(71) Applicant: **Automobili Lamborghini S.p.A.,**
Sant'Agata Bolognese (BO) (IT)

(72) Inventor: **Filippo Perini, Bobbio (IT)**

(73) Assignee: **AUTOMOBILI LAMBORGHINI S.P.A.,** Sant'Agata Bolognese (BO) (IT)

(**) Term: **15 Years**

(21) Appl. No.: **29/556,920**

(22) Filed: **Mar. 4, 2016**

(30) **Foreign Application Priority Data**

Sep. 4, 2015 (EM) 002 766 444-0001
Sep. 4, 2015 (EM) 002 766 444-0002
Sep. 4, 2015 (EM) 002 766 469-0001
Sep. 4, 2015 (EM) 002 766 469-0002

(51) **LOC (10) Cl.** **12-08**

(52) **U.S. Cl.**
USPC **D12/88; D12/92**

(58) **Field of Classification Search**
USPC D12/86, 90-92, 88; D21/421, 433, 434;
296/181.1, 181.5
CPC B62D 35/00; B62D 25/00; B62D 25/06;
B62D 33/00
See application file for complete search history.

(56) **References Cited**

U.S. PATENT DOCUMENTS

D491,843 S * 6/2004 Giugiaro D12/88
D500,263 S * 12/2004 Donckerwolke D12/92
D550,124 S * 9/2007 Agullo Spottorno D12/88
D550,126 S * 9/2007 Amprimo D12/88

D670,605 S * 11/2012 Nauert D12/88
D672,284 S * 12/2012 Perini D12/92
D696,978 S * 1/2014 Perini D12/92
D699,156 S * 2/2014 Perini D12/92
D715,690 S * 10/2014 Perini D12/88
D718,665 S * 12/2014 Menegon D12/92
D741,753 S * 10/2015 Perini D12/92
D745,439 S * 12/2015 Manzoni D12/92
D753,548 S * 4/2016 Gilles D12/92
D755,674 S * 5/2016 Perini D12/92

* cited by examiner

Primary Examiner — Melody N Brown

(74) *Attorney, Agent, or Firm* — Lucas & Mercanti, LLP;
Klaus P. Stoffel

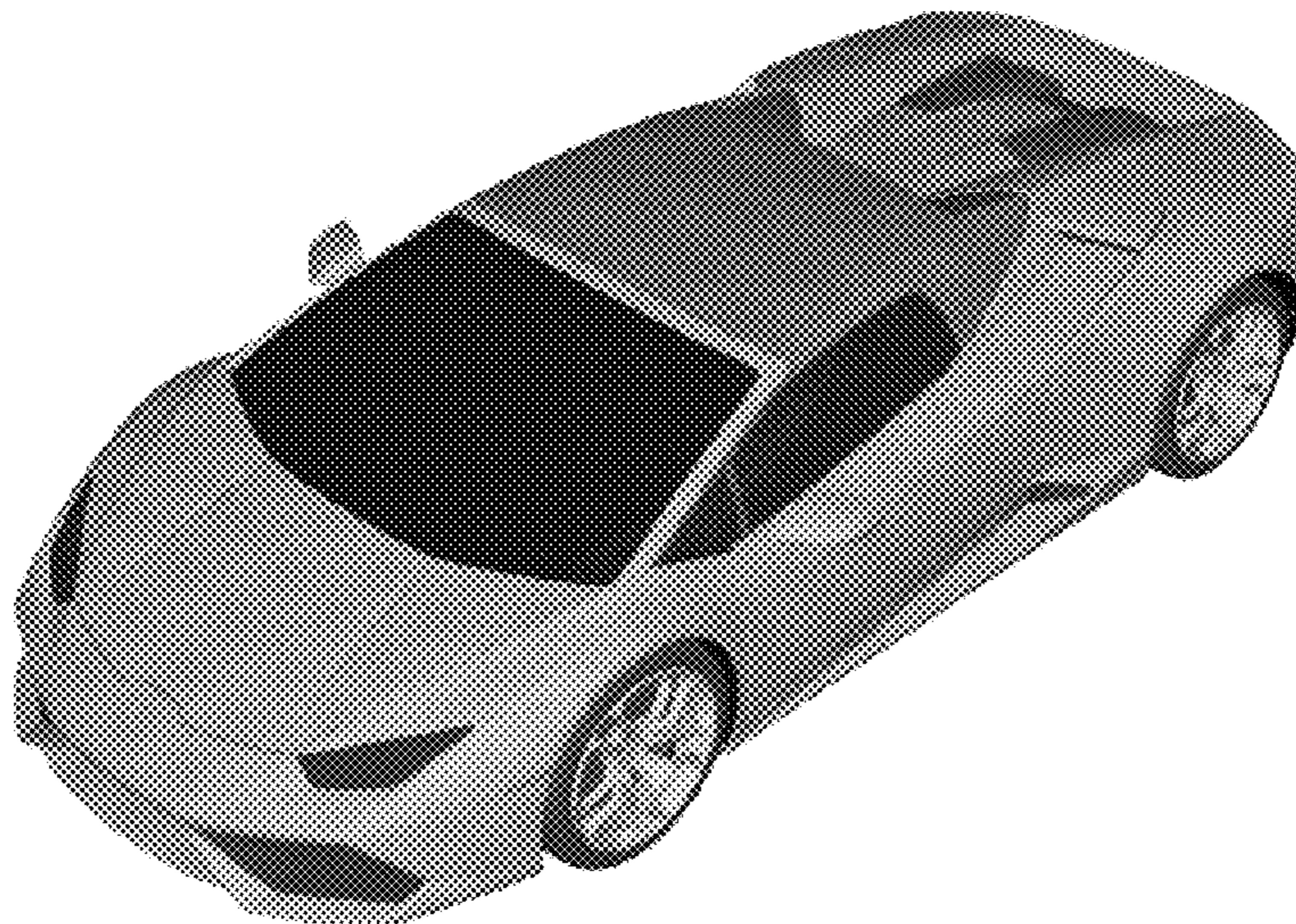
(57) **CLAIM**

The ornamental design for a motor vehicle, toy and replicas thereof, as shown and described.

DESCRIPTION

FIG. 1 is a front, right side perspective view of the motor vehicle, toy and replicas thereof of the present invention; FIG. 2 is a rear, left side perspective view thereof; FIG. 3 is a front view thereof; FIG. 4 is a rear view thereof; FIG. 5 is a right side view thereof; FIG. 6 is a left side view thereof; FIG. 7 is a top view thereof; FIG. 8 is a front, right side perspective view of the motor vehicle, toy and replicas thereof of the present invention with the top open; FIG. 9 is a rear, left side perspective view thereof; FIG. 10 is a front view thereof; FIG. 11 is a rear view thereof; FIG. 12 is a right side view thereof; FIG. 13 is a left side view thereof; and, FIG. 14 is a top view thereof.

1 Claim, 10 Drawing Sheets



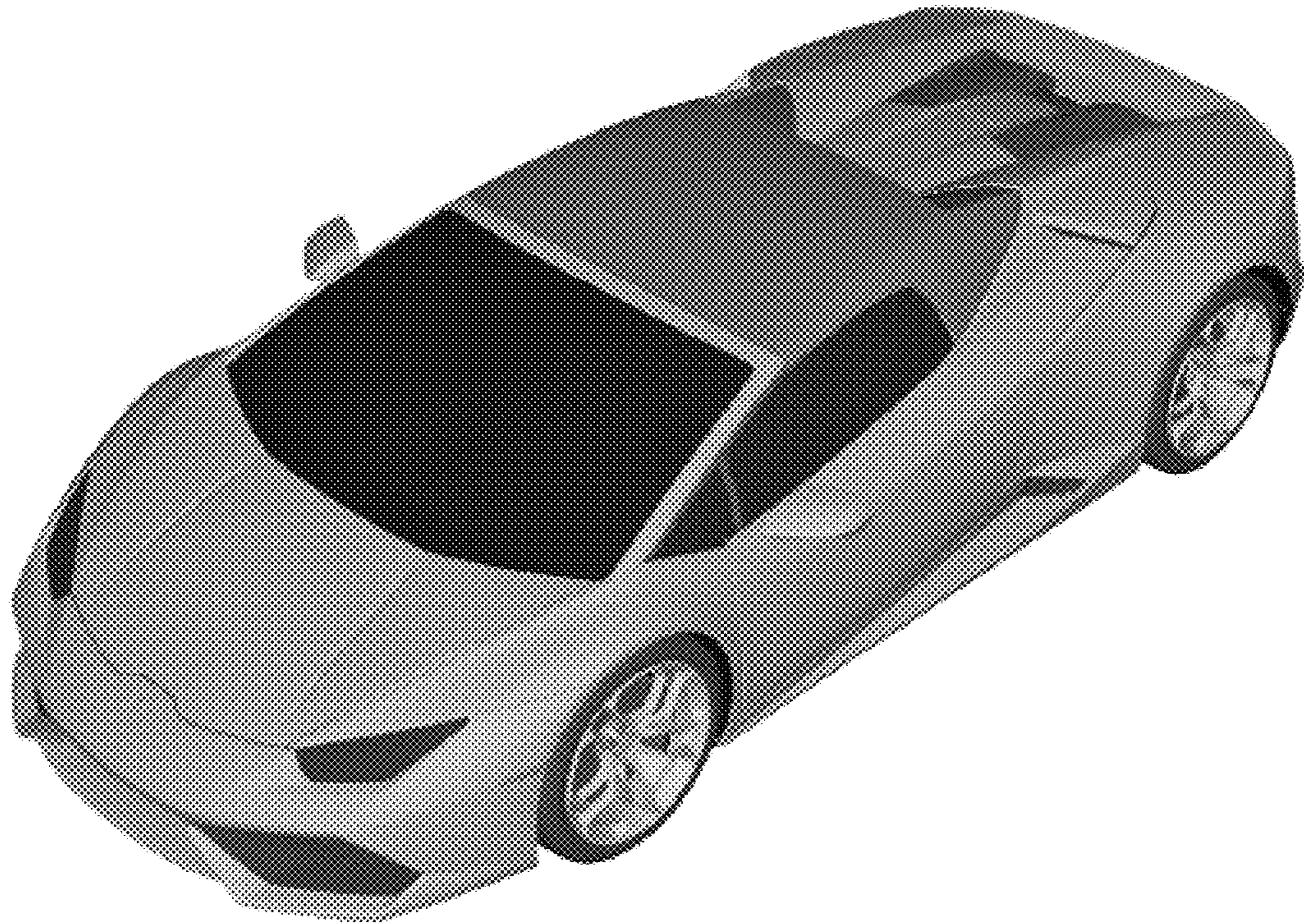


Fig. 1

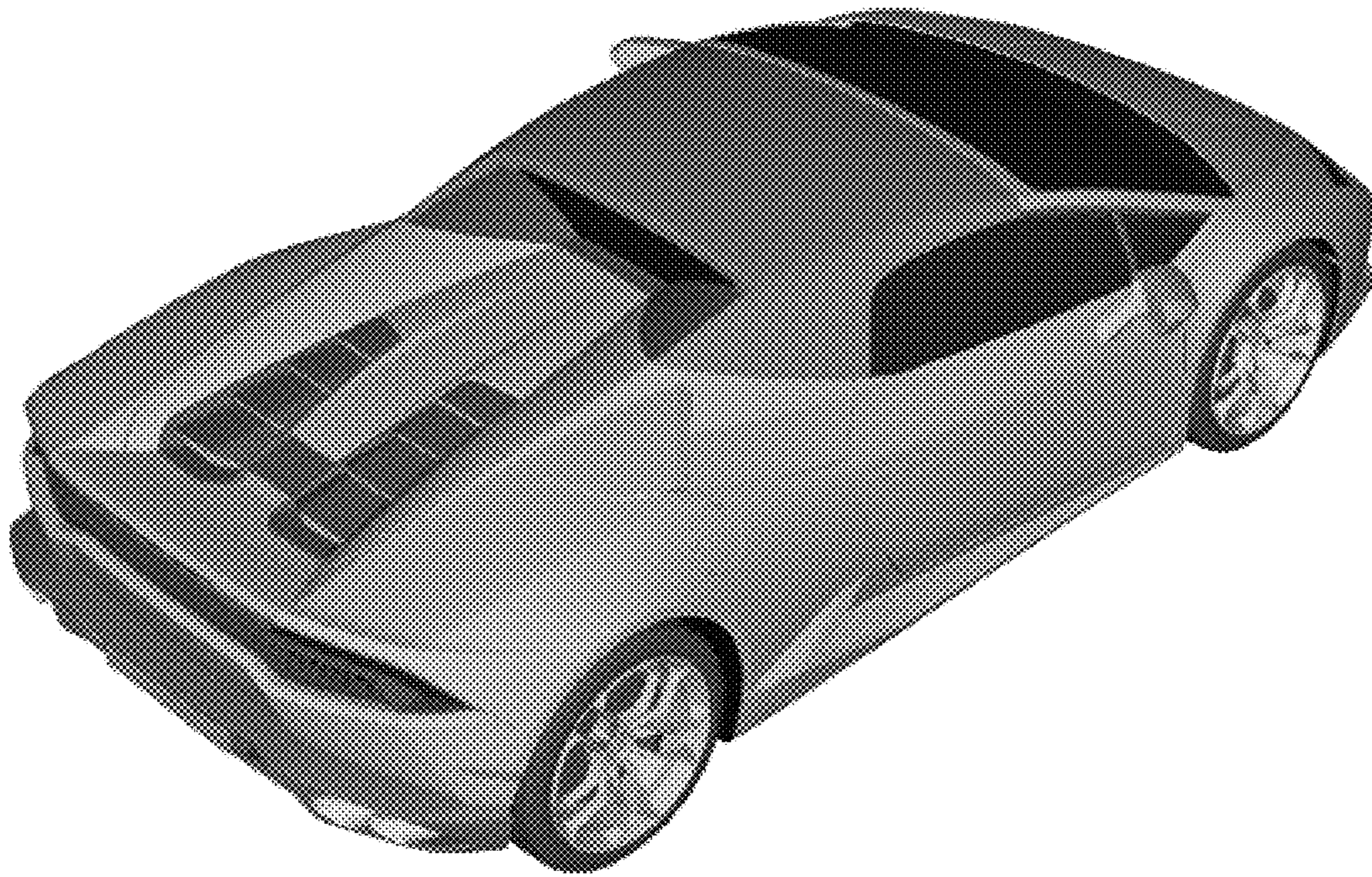


Fig. 2

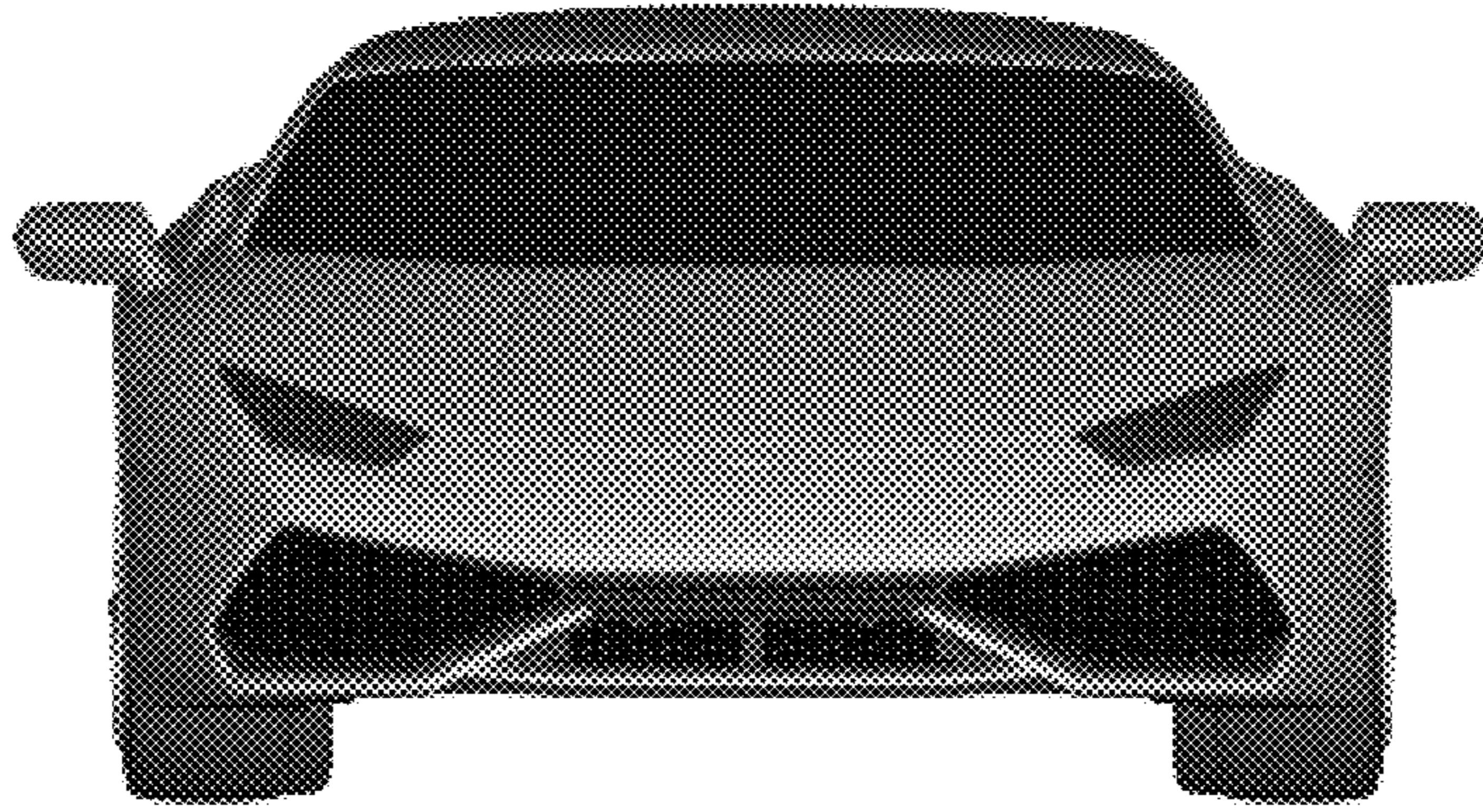


Fig. 3

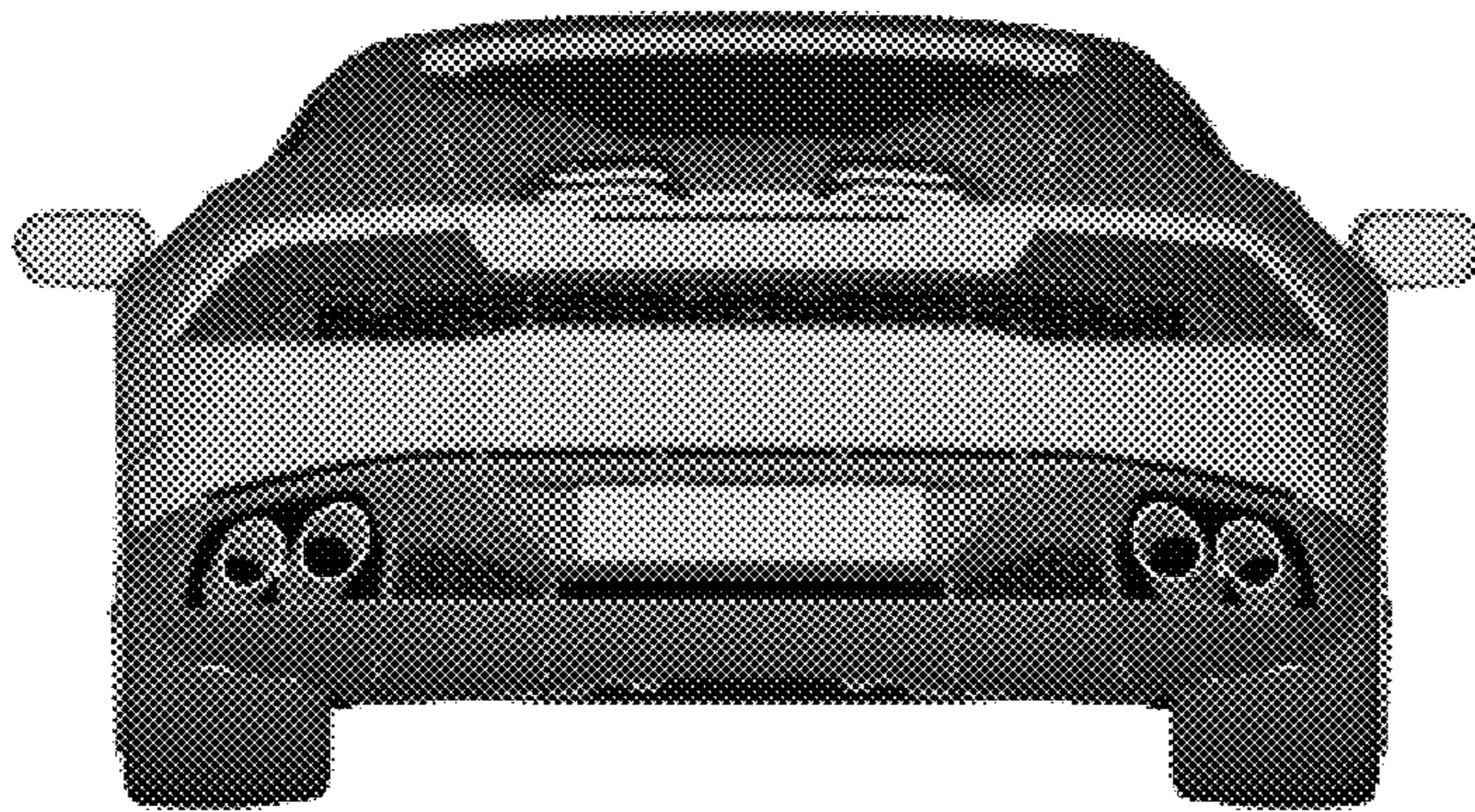


Fig. 4

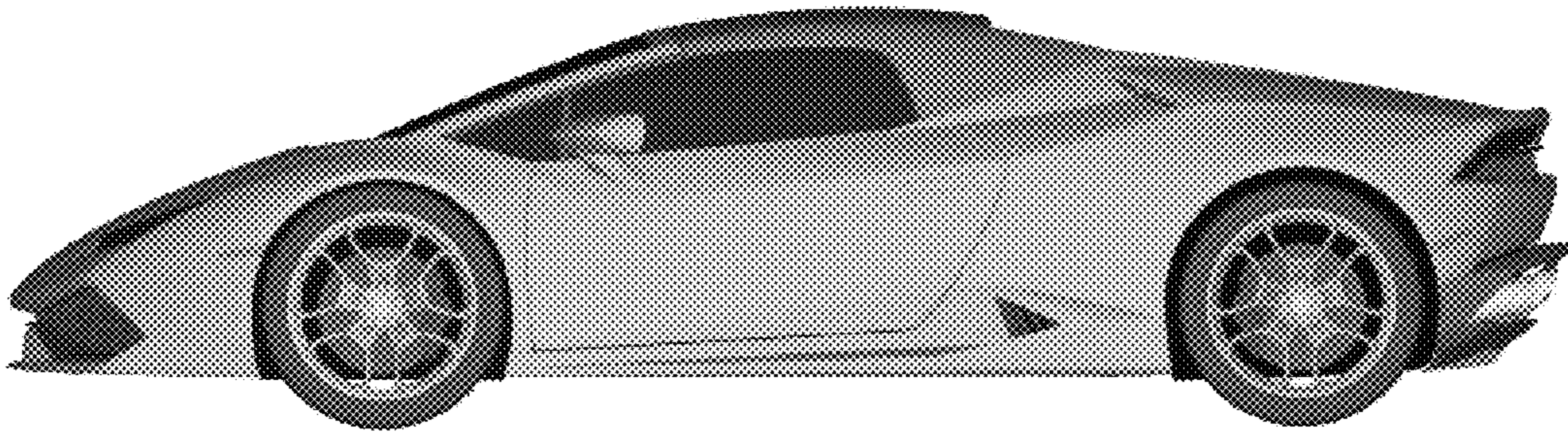


Fig. 5

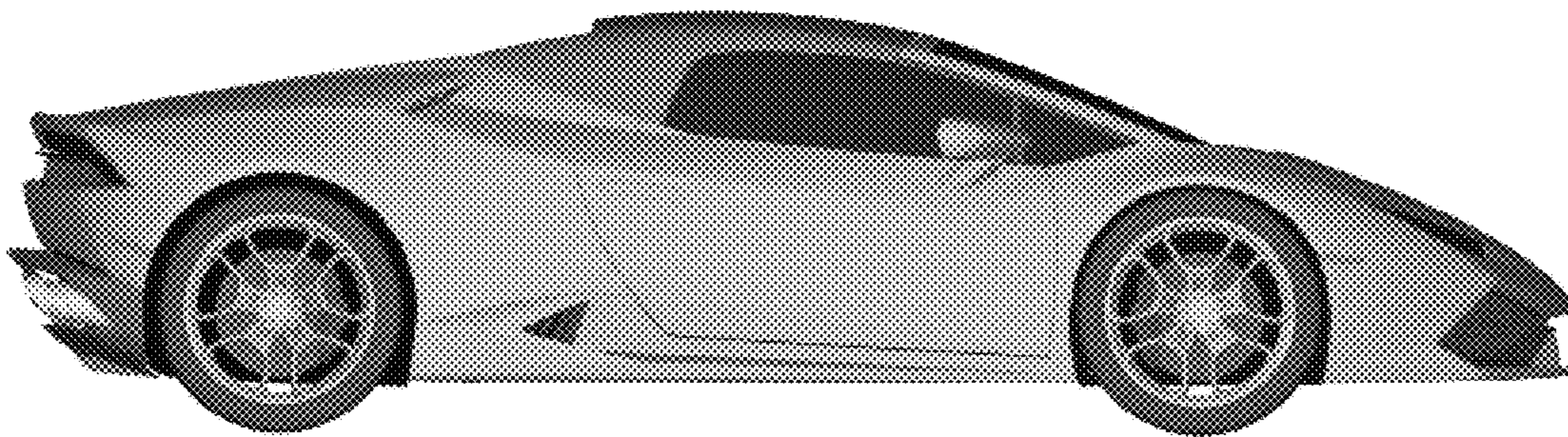


Fig. 6

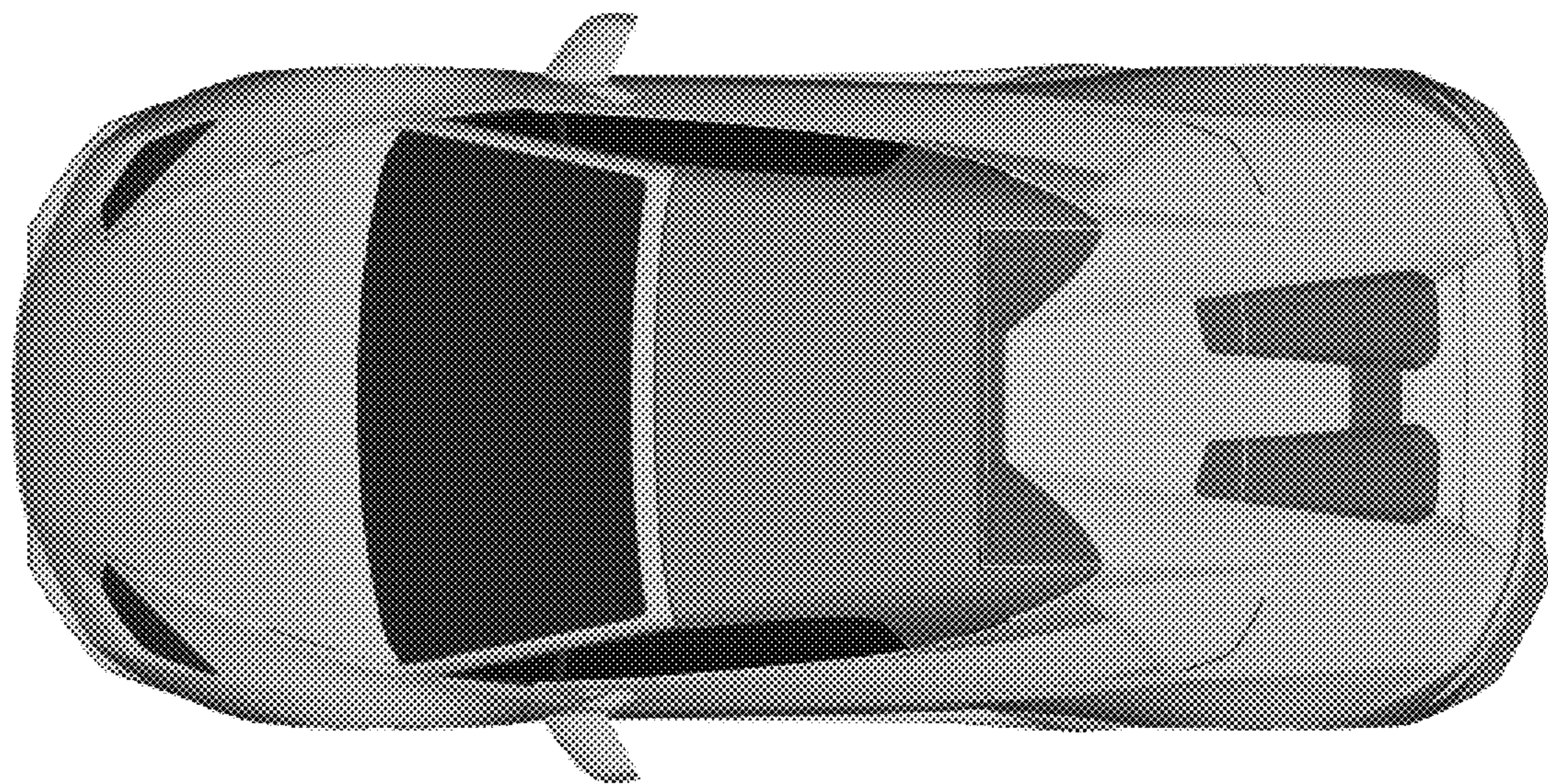


Fig. 7

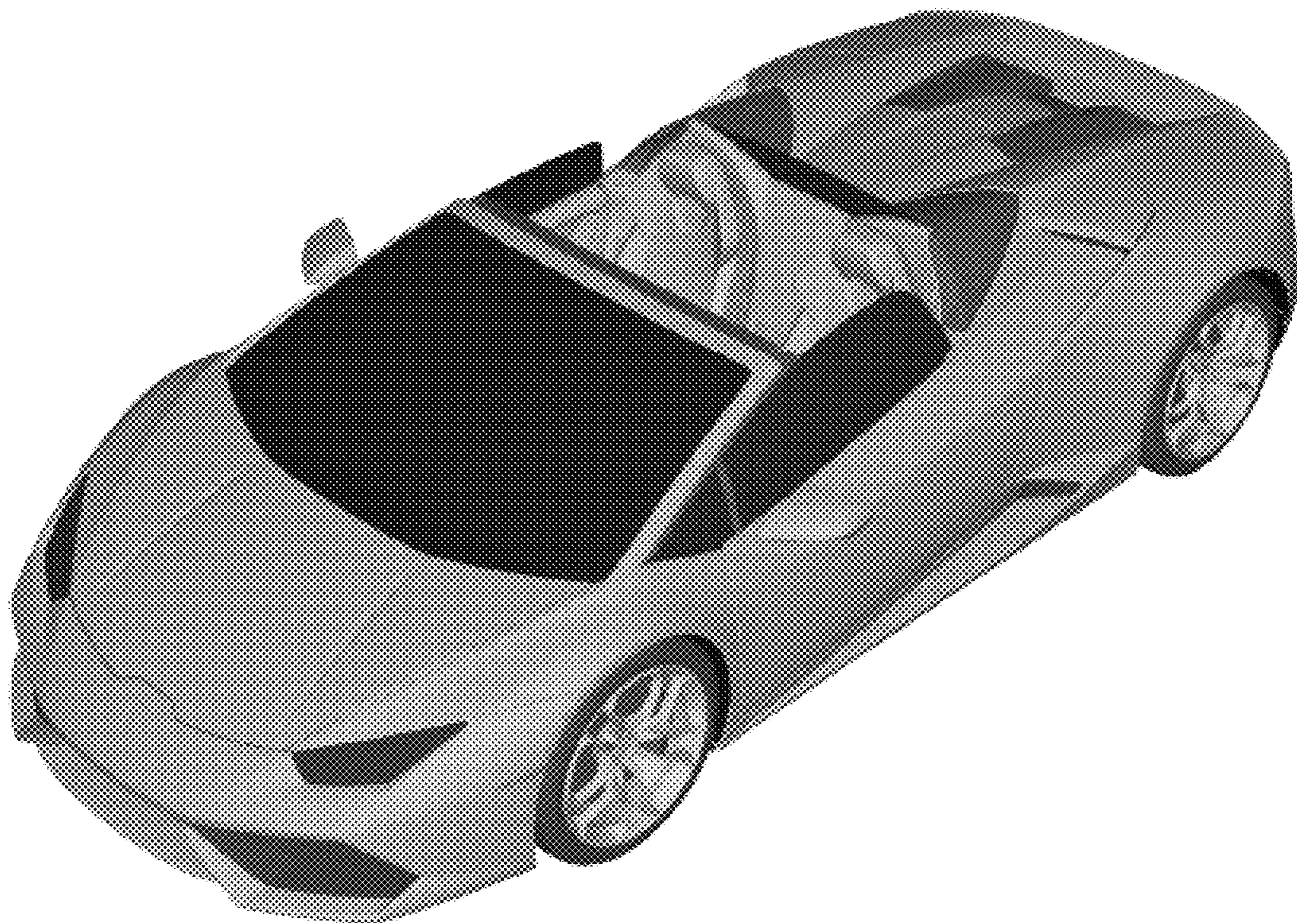


Fig. 8

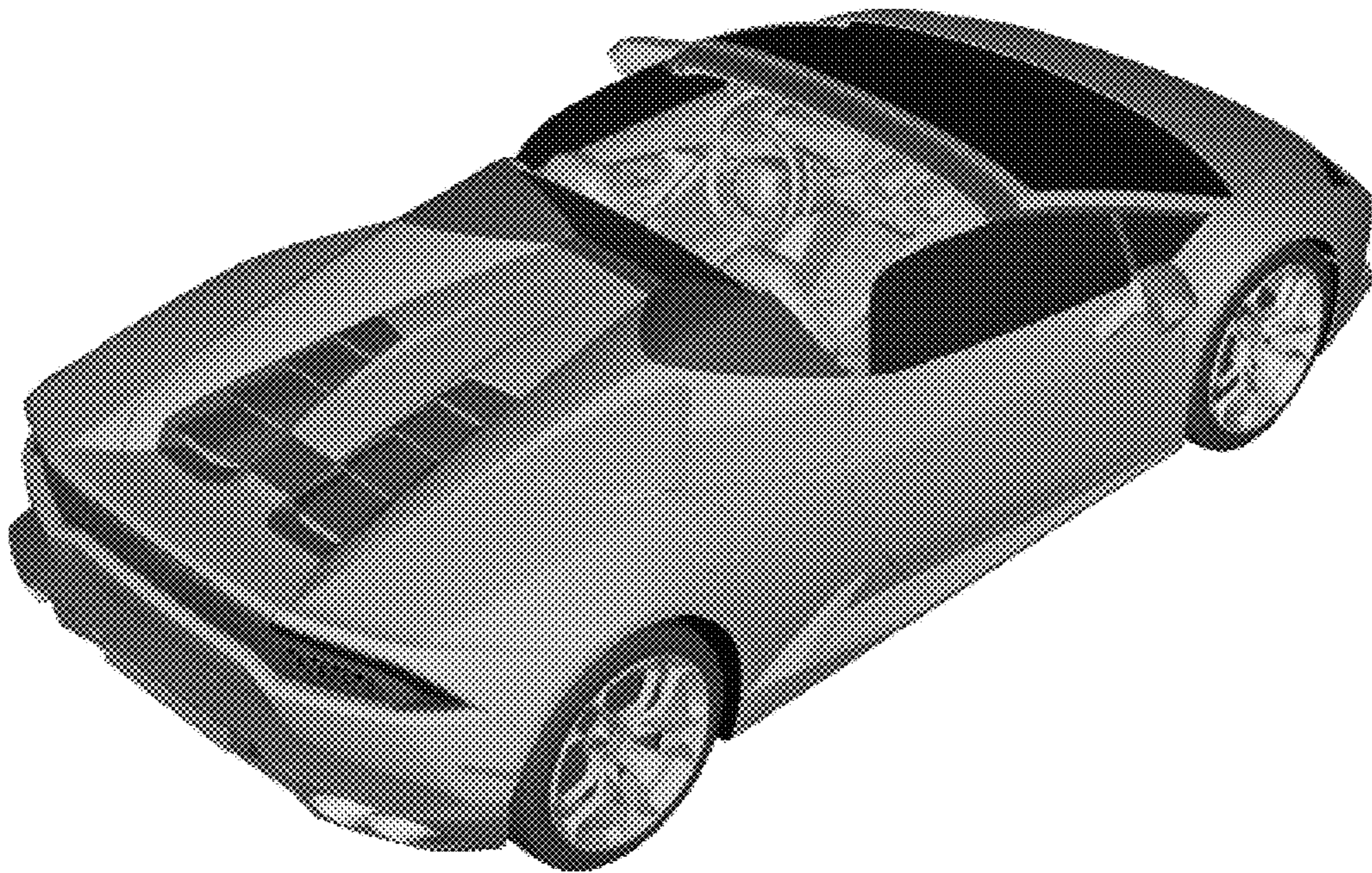


Fig. 9

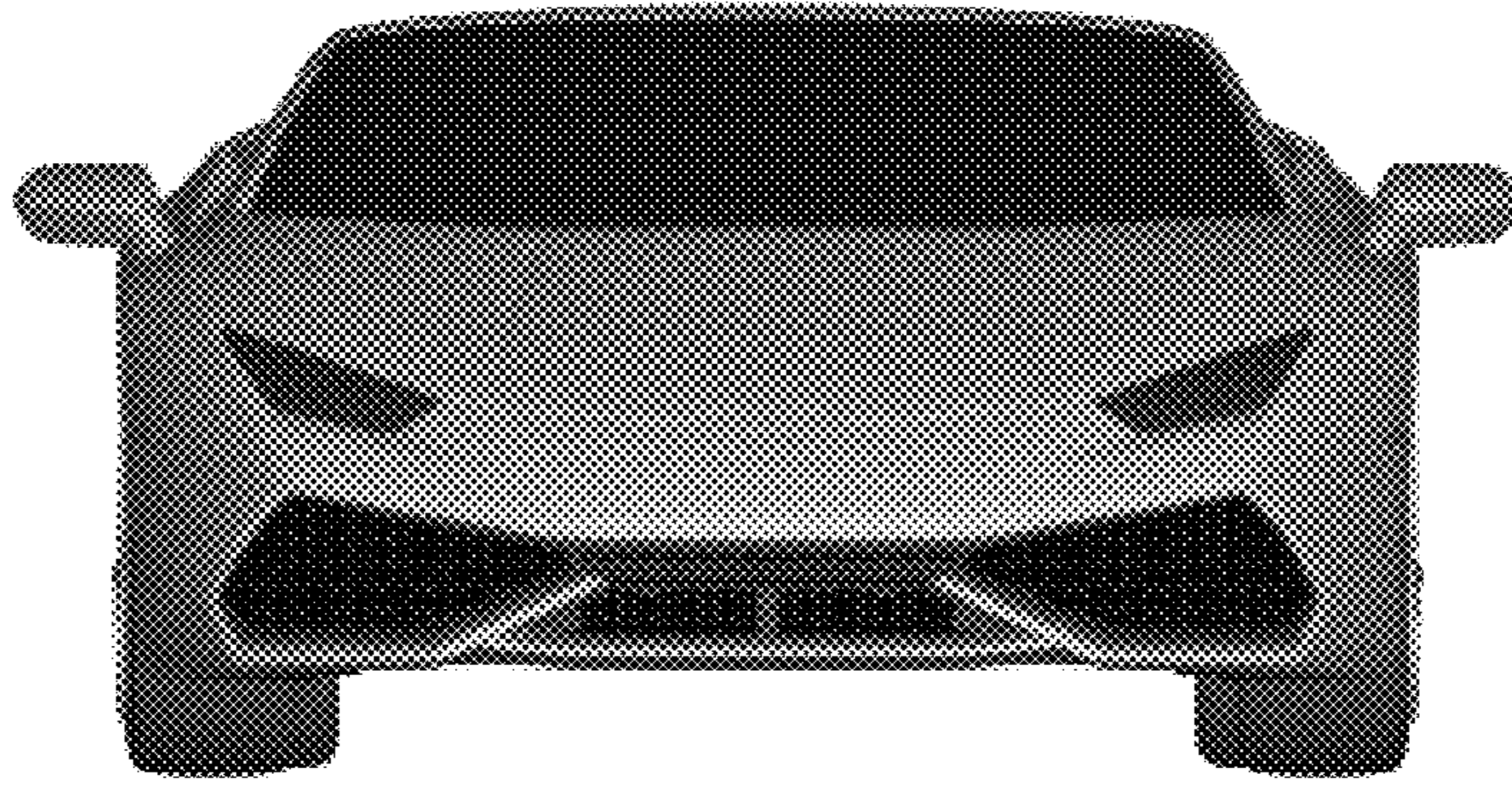


Fig. 10

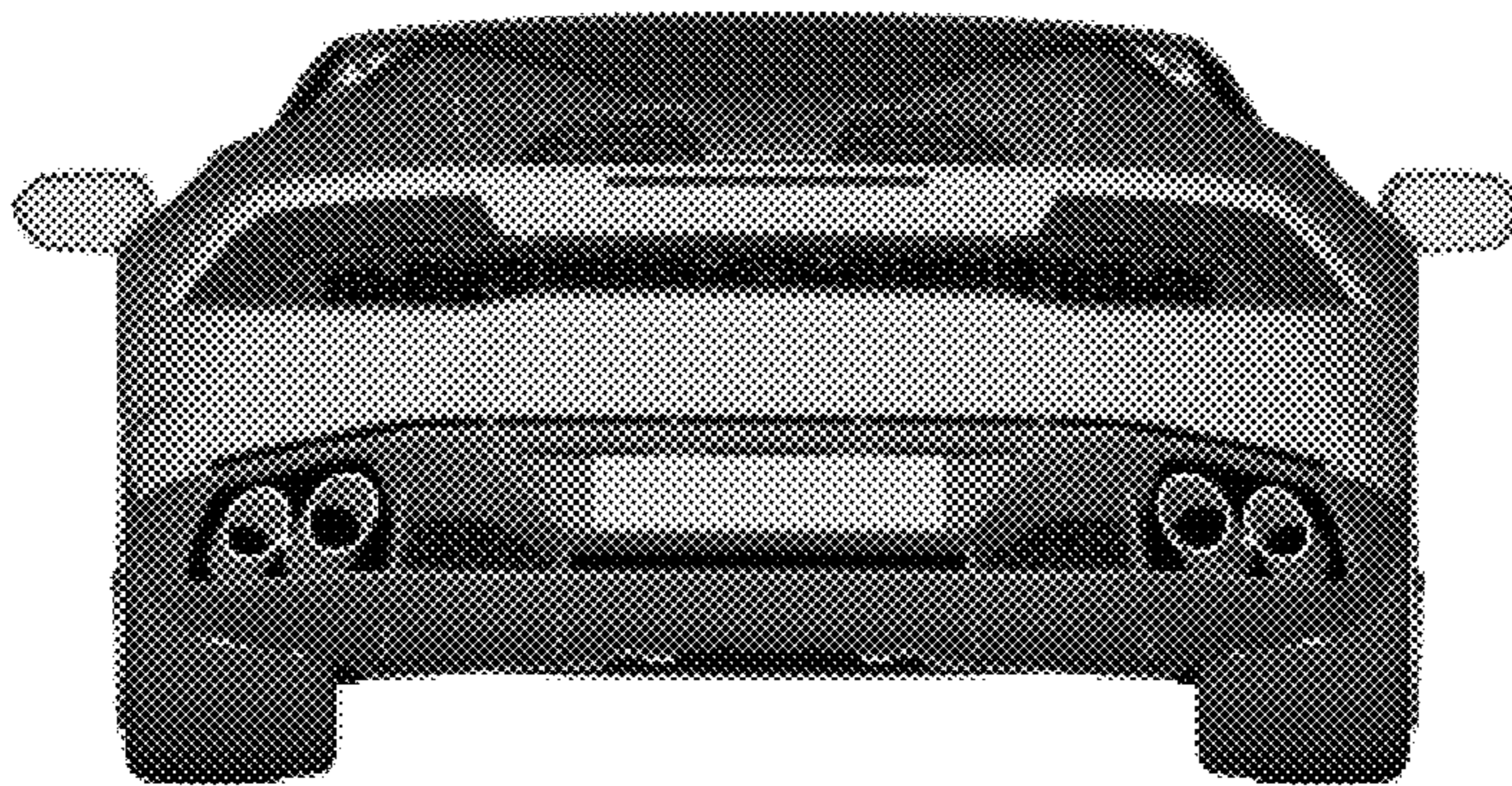


Fig. 11

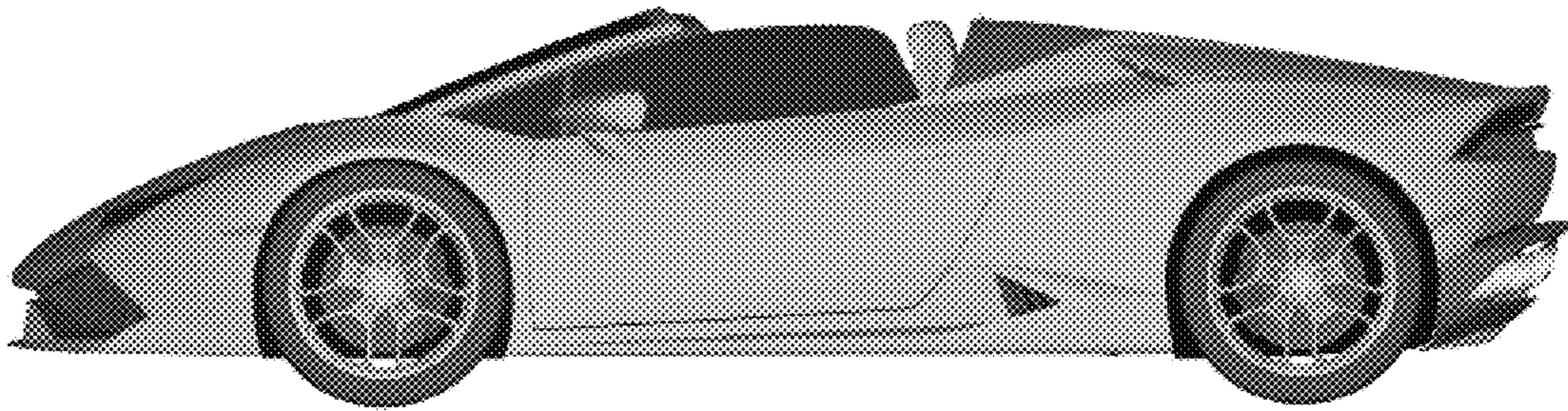


Fig. 12

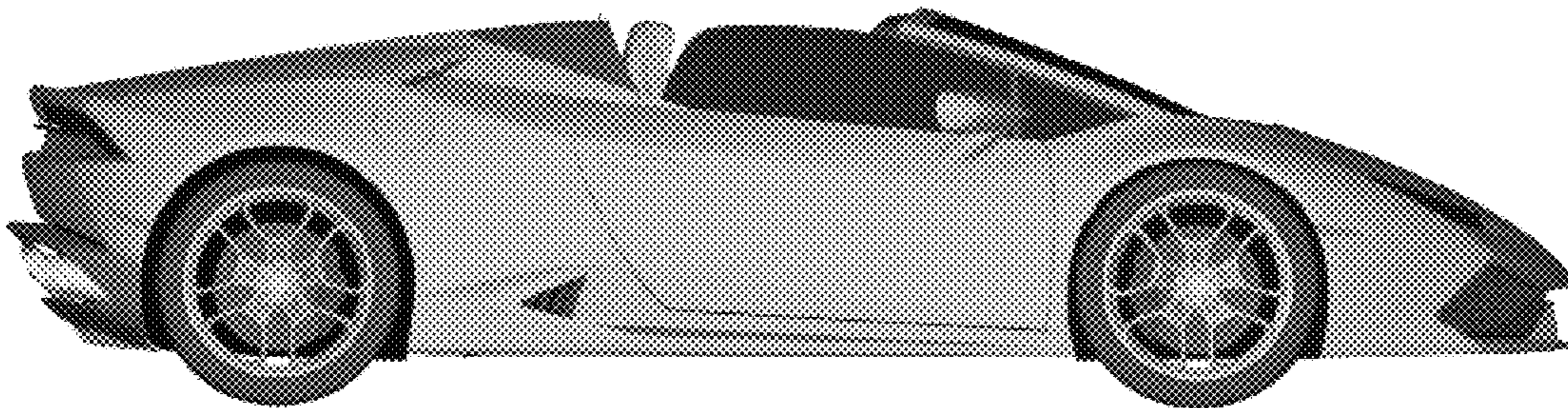


Fig. 13

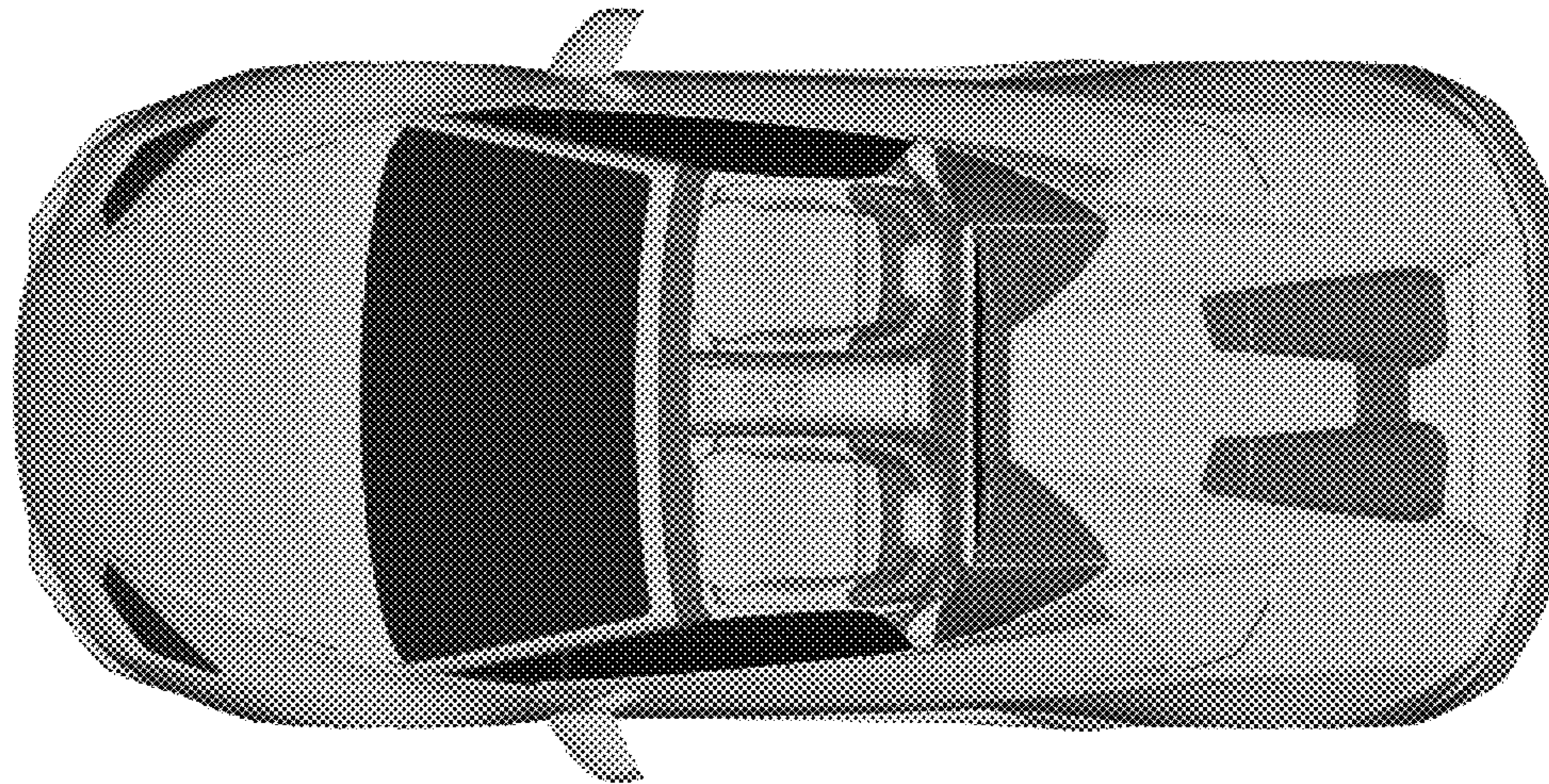


Fig. 14