



US00D790397S

(12) **United States Design Patent** (10) **Patent No.:** **US D790,397 S**  
**Khoroushi** (45) **Date of Patent:** **\*\* Jun. 27, 2017**

- (54) **ARMORED TRUCK**
- (71) Applicant: **Alpine Armoring, Inc.**, Herndon, VA (US)
- (72) Inventor: **Fred Khoroushi**, Herndon, VA (US)
- (73) Assignee: **Alpine Armoring, Inc.**, Chantilly, VA (US)
- (\*\*) Term: **15 Years**
- (21) Appl. No.: **29/530,123**
- (22) Filed: **Jun. 12, 2015**
- (51) **LOC (10) Cl.** ..... **12-13**
- (52) **U.S. Cl.**  
USPC ..... **D12/12**
- (58) **Field of Classification Search**  
USPC ..... D12/1, 12, 14, 15; D21/539, 556, 557, D21/559, 562  
CPC ..... F41H 5/20; F41H 7/04; F41H 5/26; F41H 5/013; F41H 7/02; F41H 5/18; F41H 5/14; F41H 7/00; F41H 7/03; F41H 7/048; F41H 7/042; F41H 7/044  
See application file for complete search history.

- 2007/0186762 A1\* 8/2007 Dehart ..... F41H 5/023 89/36.09
- 2007/0234896 A1\* 10/2007 Joynt ..... F41H 7/042 89/36.09
- 2008/0017426 A1\* 1/2008 Walters ..... B60F 3/003 180/89.1
- 2012/0204711 A1\* 8/2012 Engleman ..... F41H 5/007 89/36.02
- 2012/0312607 A1\* 12/2012 Joynt ..... F41H 7/042 180/54.1
- 2014/0216238 A1\* 8/2014 Pfennig ..... F41H 7/042 89/36.02
- 2014/0260935 A1\* 9/2014 Kocher, Jr. .... F41H 7/042 89/36.02

\* cited by examiner

*Primary Examiner* — T. Chase Nelson  
*Assistant Examiner* — Ania Aman  
(74) *Attorney, Agent, or Firm* — Brian S. Steinberger;  
Law Offices of Brian S. Steinberger, PA

(57) **CLAIM**

The ornamental design for an armored truck, as shown and described.

**DESCRIPTION**

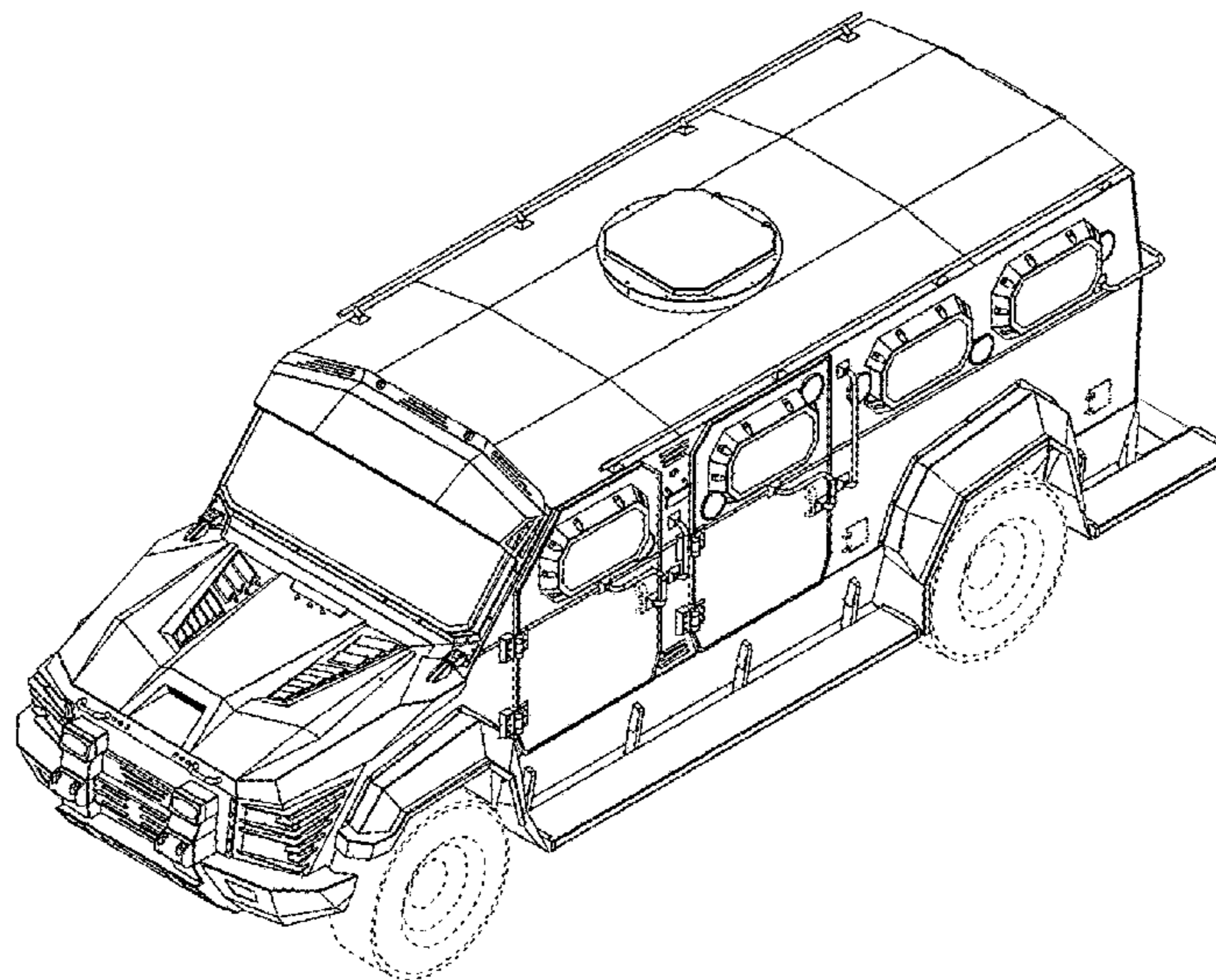
FIG. 1 is an upper front left perspective view of the novel armored truck.  
FIG. 2 is an upper rear right perspective view of the armored truck of FIG. 1.  
FIG. 3 is a left side view of the armored truck of FIG. 1.  
FIG. 4 is a right side view of the armored truck of FIG. 1.  
FIG. 5 is a front side view of the armored truck of FIG. 1.  
FIG. 6 is a rear side view of the armored truck of FIG. 1; and, FIG. 7 is a top view of the armored truck of FIG. 1.  
The broken lines in FIGS. 1-6 are for purposes of illustrating portions of the armored truck that form no part of the claimed design.

**1 Claim, 7 Drawing Sheets**

(56) **References Cited**

U.S. PATENT DOCUMENTS

- D323,305 S \* 1/1992 Smith ..... D12/12
- D484,438 S \* 12/2003 Knoth ..... D12/12
- D548,646 S \* 8/2007 Green, Jr. .... D12/12
- D548,647 S \* 8/2007 Green, Jr. .... D12/12
- D548,648 S \* 8/2007 Hammick ..... D12/12
- D552,507 S \* 10/2007 Hammick ..... D12/12
- D563,272 S \* 3/2008 Hammick ..... D12/12
- D580,825 S \* 11/2008 Green, Jr. .... D12/12
- D593,450 S \* 6/2009 Green, Jr. .... D12/12
- D743,844 S \* 11/2015 Khoroushi ..... D12/12
- D760,119 S \* 6/2016 Leyrikh ..... D12/12
- D760,120 S \* 6/2016 Leyrikh ..... D12/12



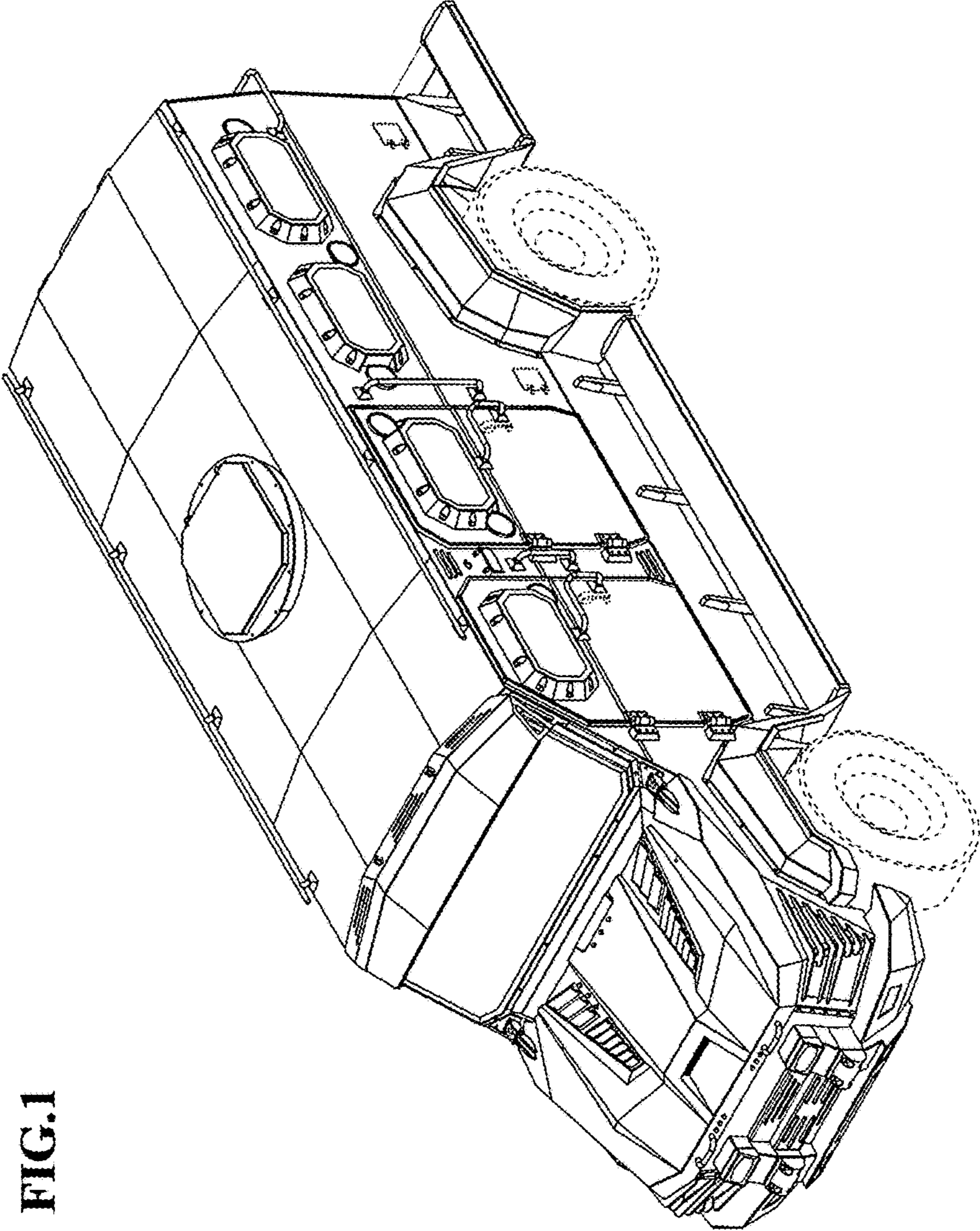


FIG.1



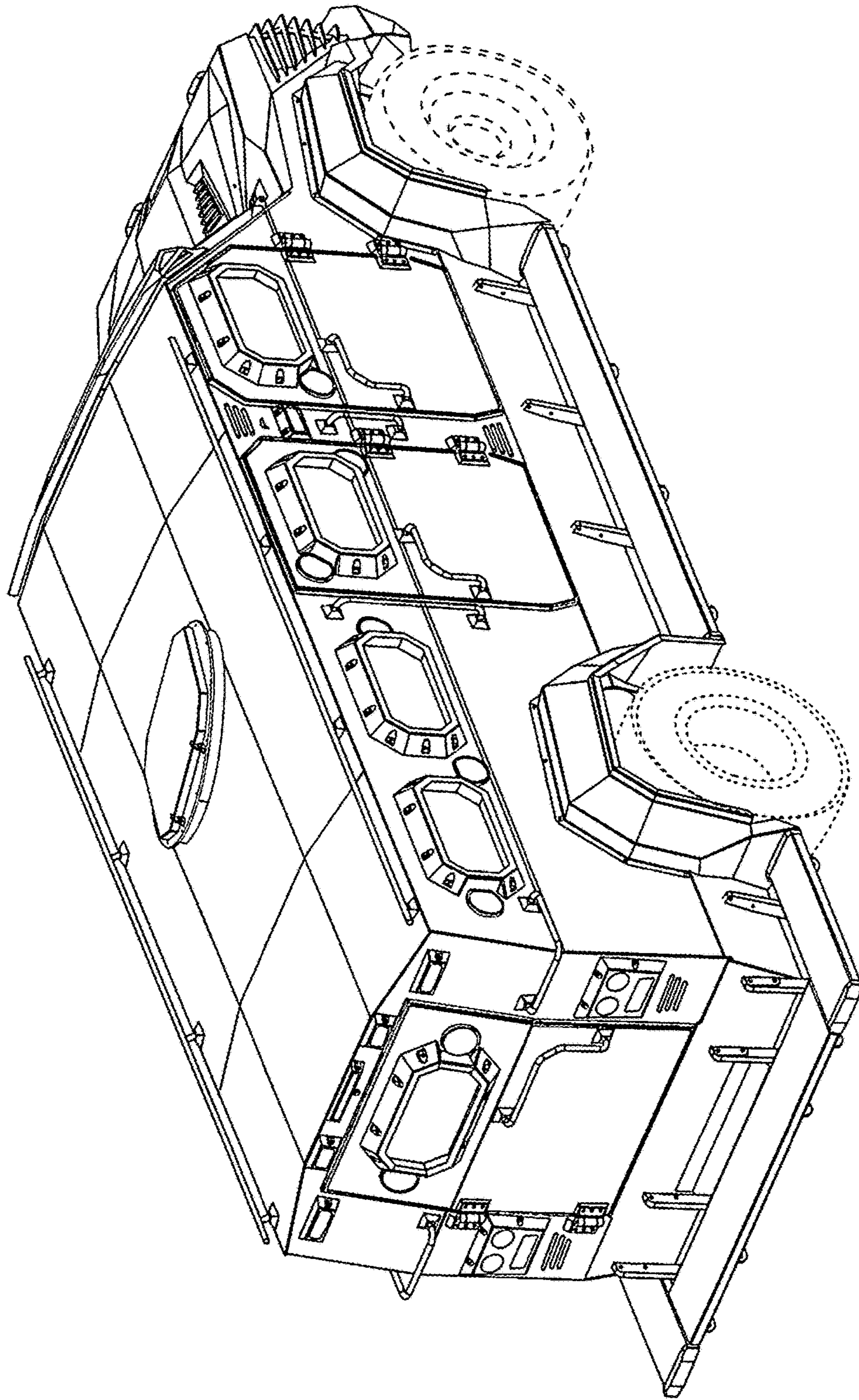


FIG.2

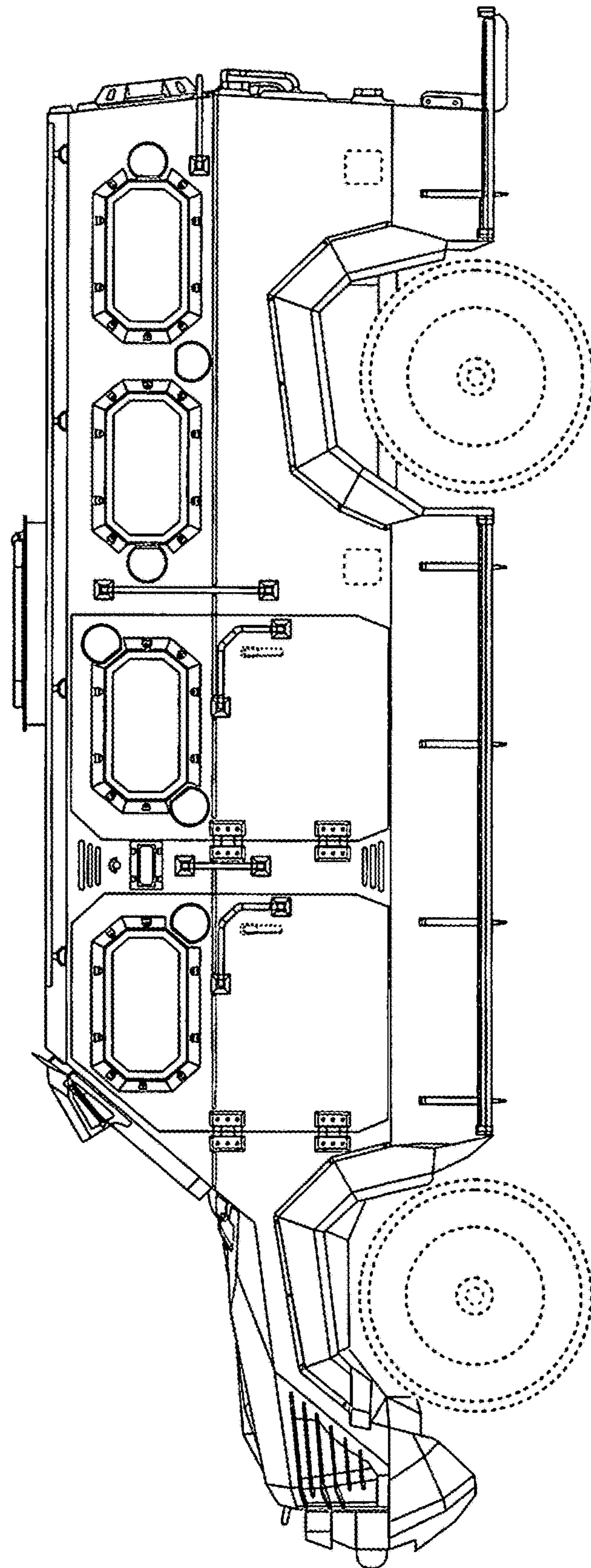


FIG.3

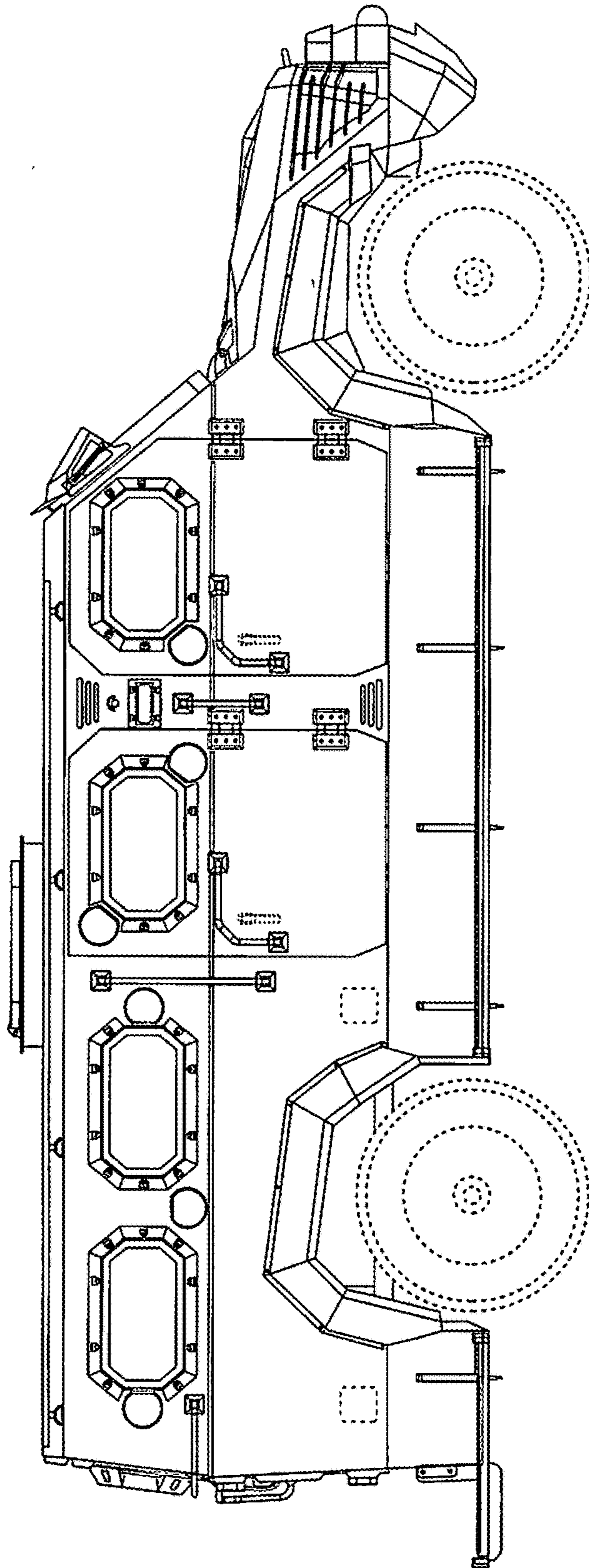


FIG.4



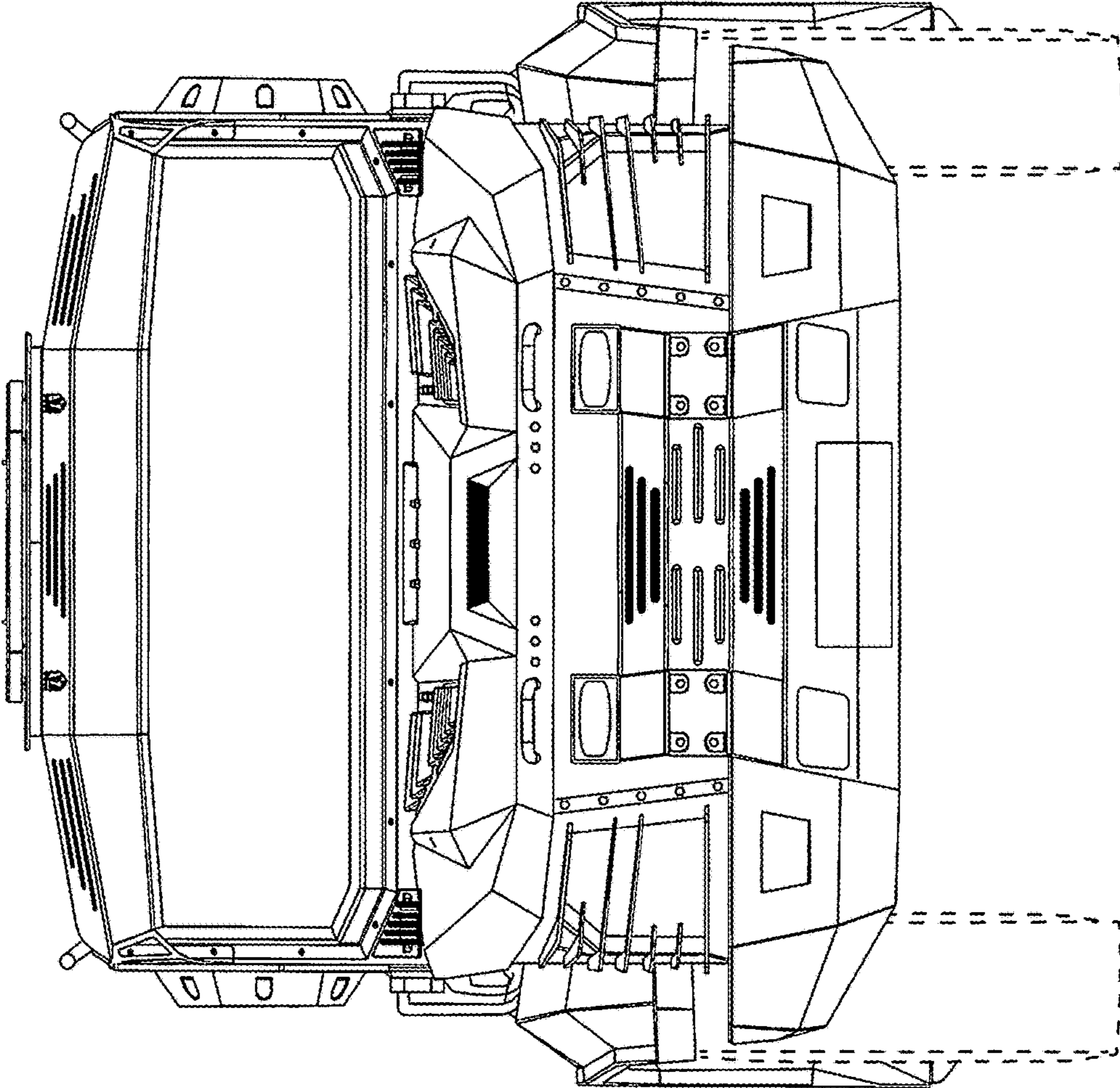


FIG.5

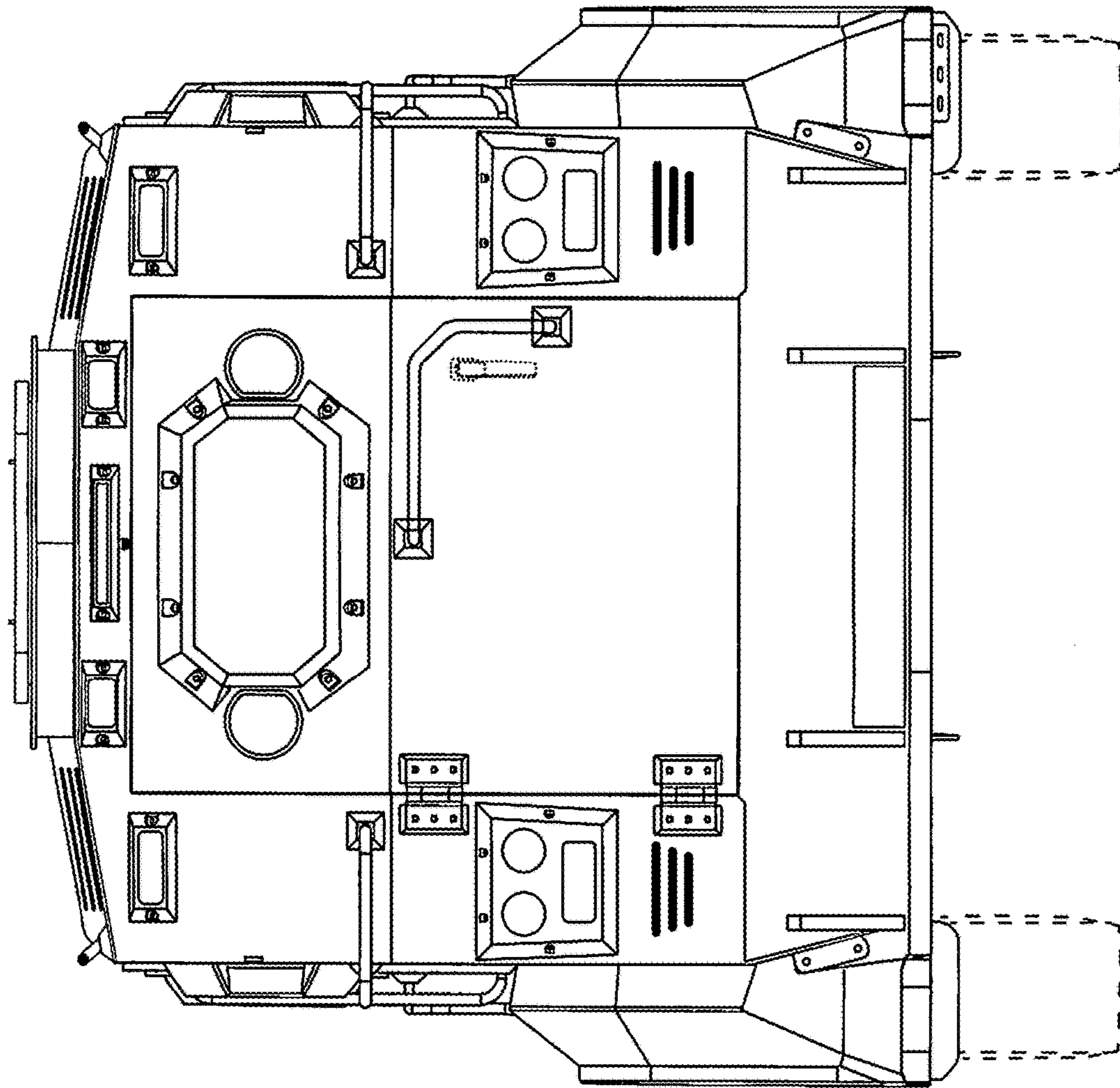
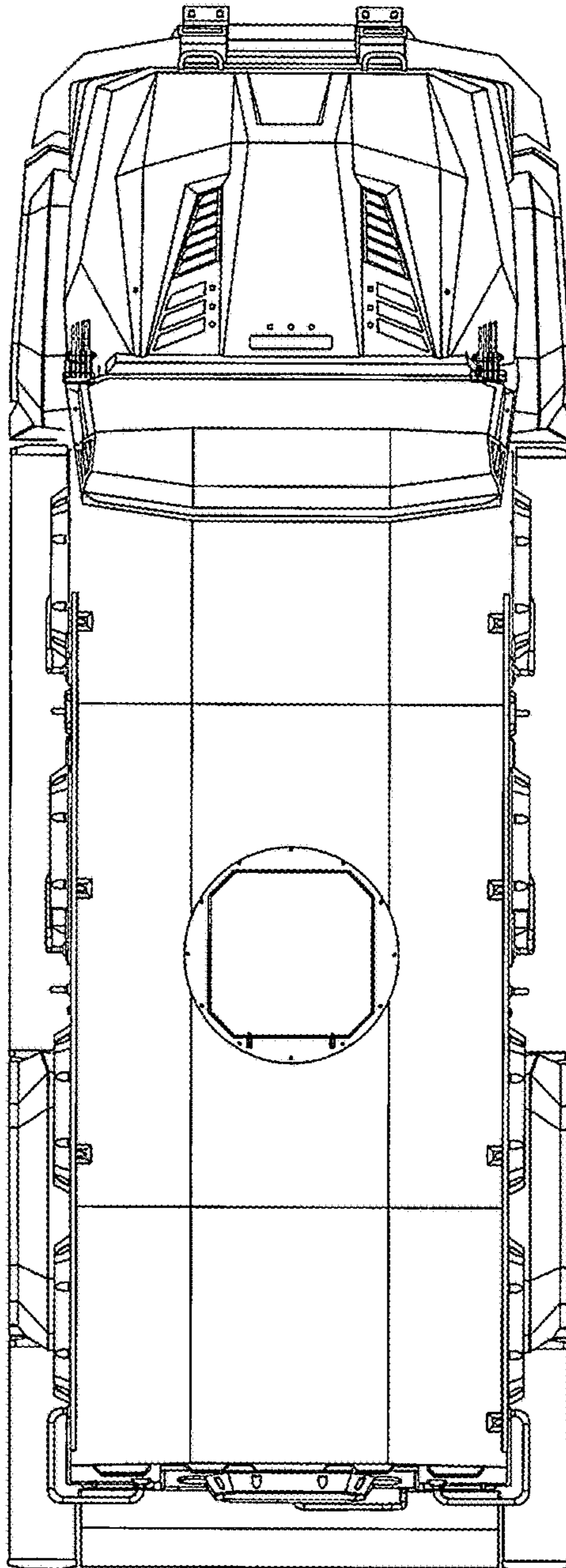


FIG.6



**FIG. 7**