



US00D790395S

(12) **United States Design Patent** (10) **Patent No.:** **US D790,395 S**
Beauregard et al. (45) **Date of Patent:** **** Jun. 27, 2017**

- (54) **FIGURINE**
- (71) Applicant: **MEGA Brands Inc.**, Montreal (CA)
- (72) Inventors: **Thierry Beauregard**, Boisbriand (CA);
Sylvain Charria, Montreal (CA);
Dorina Lusmanschi, Côte Saint-Luc (CA)
- (73) Assignee: **MEGA Brands, Inc.**, Montreal, Quebec (CA)
- (**) Term: **15 Years**
- (21) Appl. No.: **29/560,971**
- (22) Filed: **Apr. 12, 2016**
- (51) **LOC (10) Cl.** **11-02**
- (52) **U.S. Cl.**
USPC **D11/160; D21/621; D21/623**
- (58) **Field of Classification Search**
USPC D11/30-32, 48, 49, 53-58, 81-83,
D11/99-104, 107, 121, 125-128, 131,
D11/133-137, 142, 149, 150, 157, 158,
D11/160, 162, 184; D21/483, 576, 578,
D21/579, 585, 587, 593, 594, 606, 621,
D21/623, 626, 630, 633, 653, 658;
D20/29-33; 446/97-99, 102-106,
446/124-128, 268, 313, 330, 371, 376,
446/377, 387, 388, 390; 428/4, 8, 9, 11
See application file for complete search history.

(56) **References Cited**

U.S. PATENT DOCUMENTS

- D239,634 S * 4/1976 Knudsen et al. D21/649
- D239,846 S * 5/1976 Knudsen et al. D21/621
- D248,115 S 6/1978 Tapdrup
- D248,172 S 6/1978 Tapdrup
- D248,173 S 6/1978 Tapdrup
- D248,174 S 6/1978 Tapdrup
- D248,175 S 6/1978 Tapdrup
- D248,176 S 6/1978 Tapdrup

- D248,177 S 6/1978 Tapdrup
 - D248,178 S 6/1978 Tapdrup
 - D248,582 S 7/1978 Tapdrup
- (Continued)

OTHER PUBLICATIONS

Mega Bloks First Builders School Bus Building Set (via Amazon), available Feb. 1, 2017, [online], [site visited Feb. 1, 2017]. Available from internet, <URL: https://www.amazon.com/Mega-Bloks-Builders-School-Building/dp/B01CW6EL72/ref=pd_sim_21_3?_encoding=UTF8&pd_rd_i=B01CW6EL72&pd_rd_ =Q3W4BME1AB6XPVDJ7HJX&pd_rd_w=ElOmK&pd_rd_wg=urqUF&psc=1&refRID=Q3.*>

(Continued)

Primary Examiner — Cathron Brooks
Assistant Examiner — Teddy Falloway

(74) *Attorney, Agent, or Firm* — Plumsea Law Group, LLC

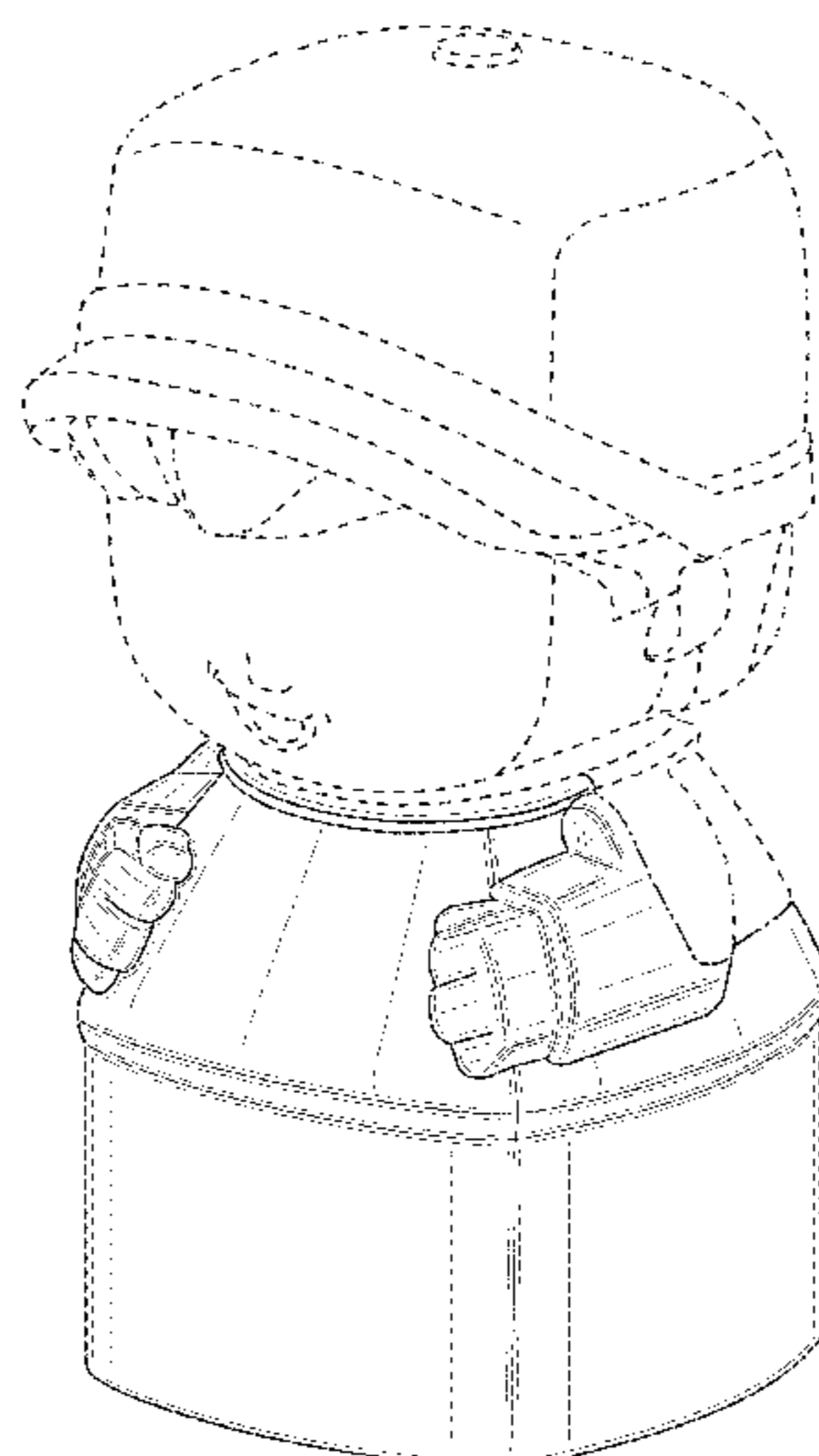
(57) **CLAIM**

The ornamental design for a figurine, as shown and described.

DESCRIPTION

FIG. 1 is a top isometric perspective view of a figurine showing the new design;
FIG. 2 is a front elevational view of the figurine of FIG. 1;
FIG. 3 is a rear elevational view of the figurine of FIG. 1;
FIG. 4 is a left side elevational view of the figurine of FIG. 1;
FIG. 5 is a right side elevational view of the figurine of FIG. 1;
FIG. 6 is a top plan view of the figurine of FIG. 1; and,
FIG. 7 is a bottom plan view of the figurine of FIG. 1.
The dash-dash broken lines represent portions of the Figurine. The dash-dot broken lines represent the bounds of the claim. The broken lines and unshaded areas form no part of the claimed design.

1 Claim, 7 Drawing Sheets



(56)

References Cited

U.S. PATENT DOCUMENTS

D251,261 S	3/1979	Tapdrup	
D253,711 S	12/1979	Christiansen et al.	
D255,813 S *	7/1980	Pape	D21/621
D260,665 S *	9/1981	Yamashina	D21/551
D278,645 S	4/1985	Nielsen	
D278,735 S	5/1985	Nielsen	
D279,494 S	7/1985	Nielsen	
D282,944 S	3/1986	Nielsen	
D283,149 S	3/1986	Nielsen	
D283,150 S	3/1986	Jensen	
D283,906 S	5/1986	Nielsen	
D291,585 S *	8/1987	Bertrand	D21/623
D301,499 S	6/1989	Tapdrup	
D301,500 S	6/1989	Tapdrup	
D325,605 S	4/1992	Holmstrom	
D329,069 S	9/1992	Holmstrom	
D329,070 S	9/1992	Holmstrom	
D329,884 S	9/1992	Holmstrom	
D332,117 S	12/1992	Holmstrom	
D481,083 S	10/2003	Bresciani et al.	
D494,642 S	8/2004	Bresciani et al.	
D494,643 S	8/2004	Bresciani et al.	
D495,764 S	9/2004	Bresciani et al.	
D531,084 S *	10/2006	McGowen	D11/160
D531,541 S *	11/2006	McGowen	D11/160
D531,542 S *	11/2006	McGowen	D11/160
D611,108 S	3/2010	Bodin	
D631,786 S *	2/2011	Palmer	D11/158
D639,353 S *	6/2011	Stibolt	D21/578
D672,410 S *	12/2012	Dubreuil	D21/648
D672,411 S *	12/2012	Dubreuil	D21/648
D672,412 S *	12/2012	Dubreuil	D21/659
D672,413 S *	12/2012	Dubreuil	D21/659
D740,683 S *	10/2015	Kassouni	D11/129
D746,171 S *	12/2015	Lau	D11/164
D760,328 S *	6/2016	Croston	D21/621
D760,330 S *	6/2016	Croston	D21/621
D762,787 S *	8/2016	Barbiani	D21/645

OTHER PUBLICATIONS

Mega Bloks Pink Convertible Building Set (via Amazon), available Jan. 4, 2017, [online], [site visited Feb. 1, 2017]. Available from internet, <URL: [https://www.amazon.com/Mega-Bloks-Pink-Con-](https://www.amazon.com/Mega-Bloks-Pink-Con-vertible-Building/dp/B01CW6ELOE/ref=cm_cr_arp_d_pdt_img_top?ie=UTF8)

vertible-Building/dp/B01CW6ELOE/ref=cm_cr_arp_d_pdt_img_top?ie=UTF8.*

Mega Bloks Dylan Dump Truck (via Amazon), available Jan. 17, 2013, [online], [site visited Feb. 1, 2017]. Available from internet, <URL: https://www.amazon.com/Mega-Bloks-Dylan-Dump-Truck/dp/B006LEZ9EQ/ref=sr_1_1?s=toys-and-games&ie=UTF8&qid=1486358821&sr=1-1&keywords=dylan+dump+truck.*

Mega Bloks First Builders School Bus Building Set (via Amazon), available Feb. 1, 2017, [online], [site visited Feb. 1, 2017]. Available from internet, <URL: https://www.amazon.com/Mega-Bloks-Builders-School-Building/dp/B01CW6EL72/ref=pd_sim_21_3?_encoding=UTF8&pd_rd_i=B01CW6EL72&pd_rd_r=Q3W4BME1AB6XPVDJ7HJX&pd_rd_w=ElOmK&pd_rd_wg=urqUF&psc=1&refRID=Q3.*

“MEGA Bloks Rescue Squad, First Builders,” MEGA Bloks item #6623, <URL: <https://web.archive.org/web/20130831045609/http://www.megabloks.com/en-us/shop/construction-toys/first-builders/rescue-squad-6623>>, 3 pages, published Aug. 31, 2013.

“MEGA Bloks Block Buddies, First Builders,” MEGA Bloks item #81215, <URL: <https://web.archive.org/web/20140808082347/http://www.megabloks.com/en-us/shop/construction-toys/first-builders/block-buddies-81215>>, 2 pages, published Aug. 8, 2014.

“MEGA Bloks Collection: Dora the Explorer,” <URL: <https://web.archive.org/web/20141019205539/http://www.megabloks.com/en-ca/shop/construction-toys/dora-the-explorer>>, 3 pages, published Oct. 19, 2014.

“Duplo Figure Bust Short with Striped Dungarees and Black Male Hair,” Lego Part 2327cx1, first produced 1994 according to: <URL: <http://www.peeron.com/inv/parts/2327cx1>>, 2 pages.

“Duplo Figure Bust Short with Suspenders, Yellow Freckle Nose, and Red Male Flair,” Lego Part 2327cx3, first produced 1992 according to: <URL: <http://www.peeron.com/inv/parts/2327cx3>>, 2 pages.

“Duplo Figure Bust Tall with Freckle Nose and Brown Ragged Male Hair,” Lego Part x829cx12, first produced 1984 according to: <URL: <http://www.peeron.com/inv/parts/x829cx12>>, 3 pages.

“Duplo Figure Bust Tall with Male Face (Thick Eyebrows) and Yellow Derby Hat,” Lego Part x829cx23, first produced 1980 according to: <URL: <http://www.peeron.com/inv/parts/x829cx23>>, 3 pages.

“MEGA Bloks Block Buddies My Pony Stable Instructions,” 2004, 6 pages.

* cited by examiner

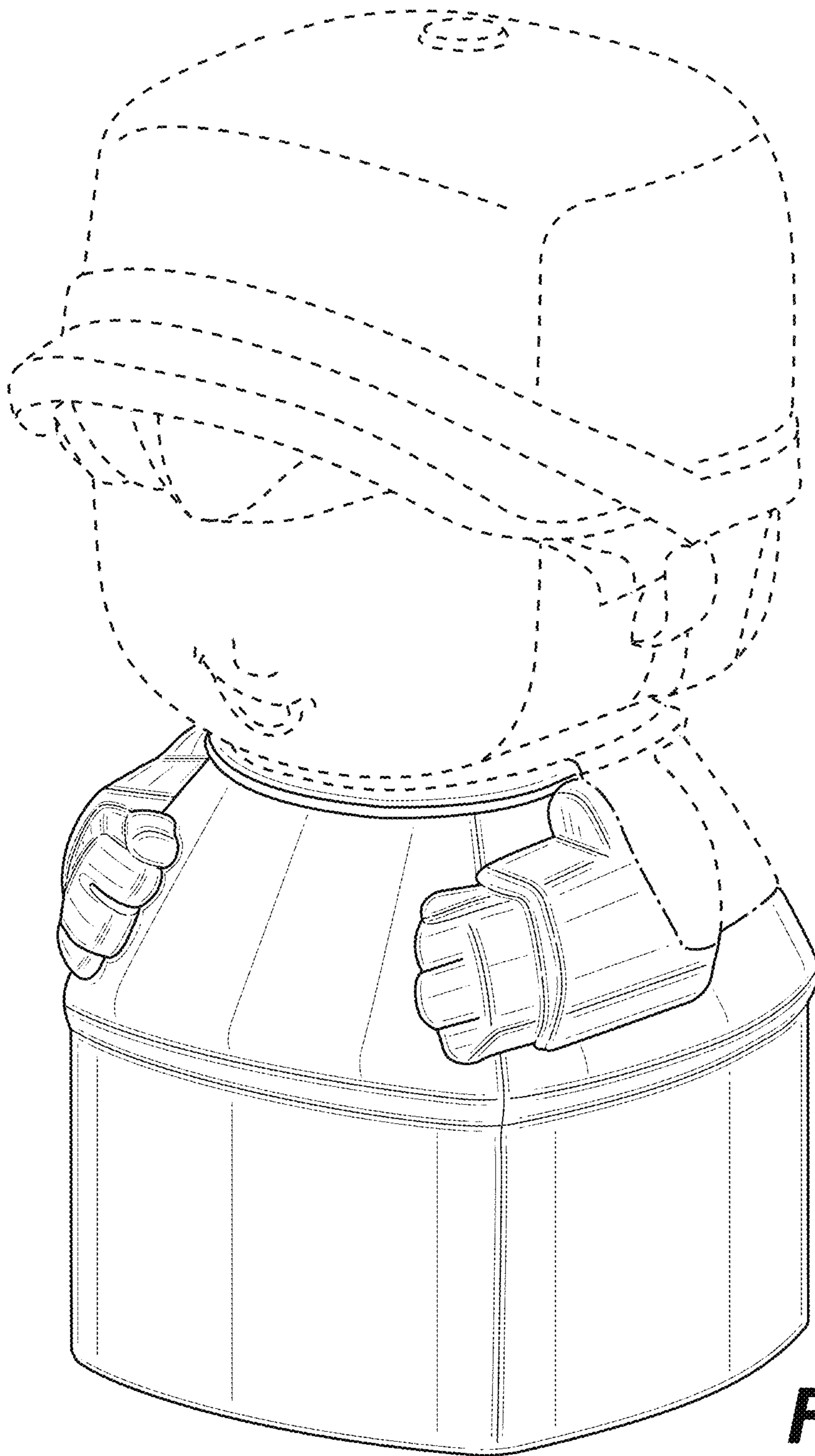


FIG. 1

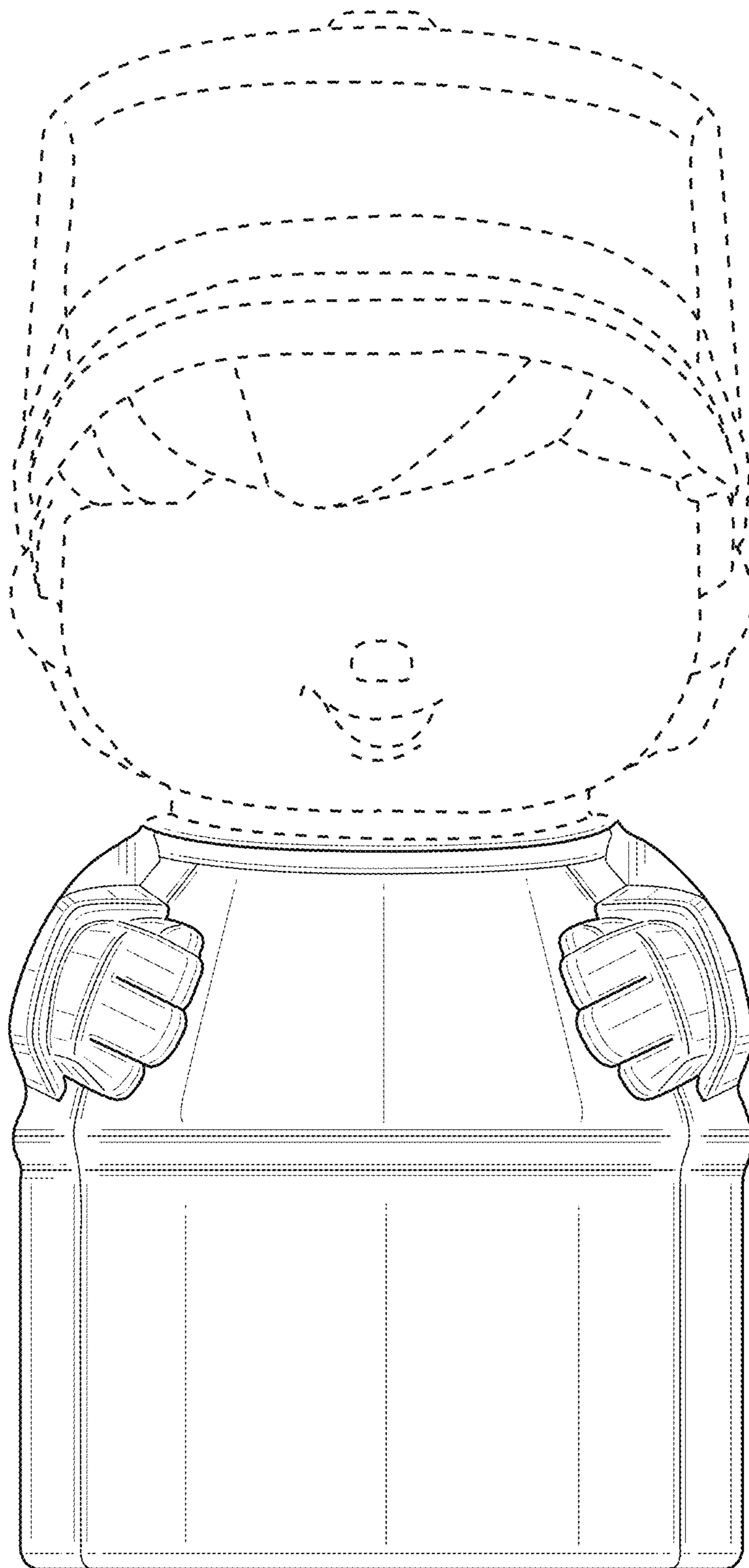


FIG. 2

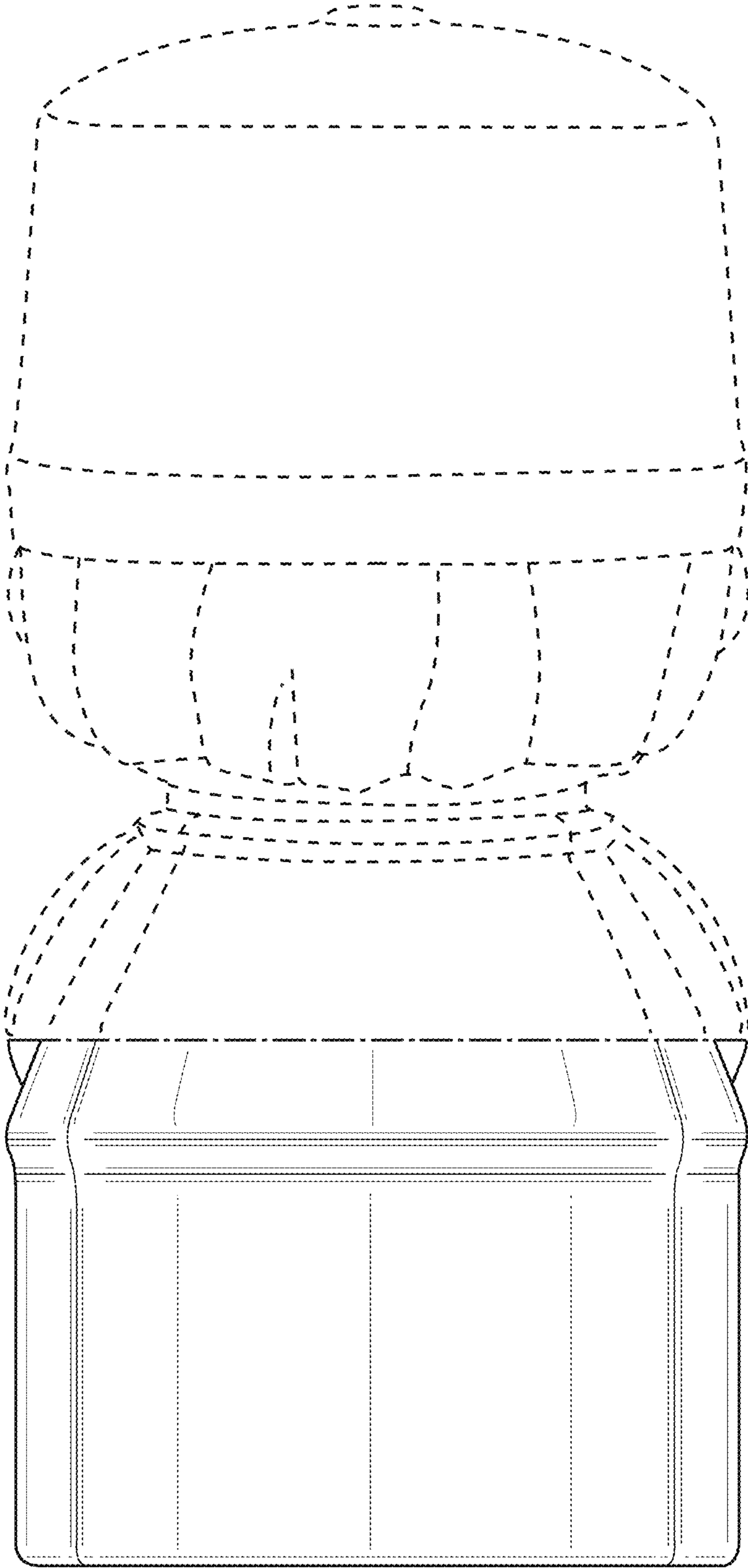


FIG. 3

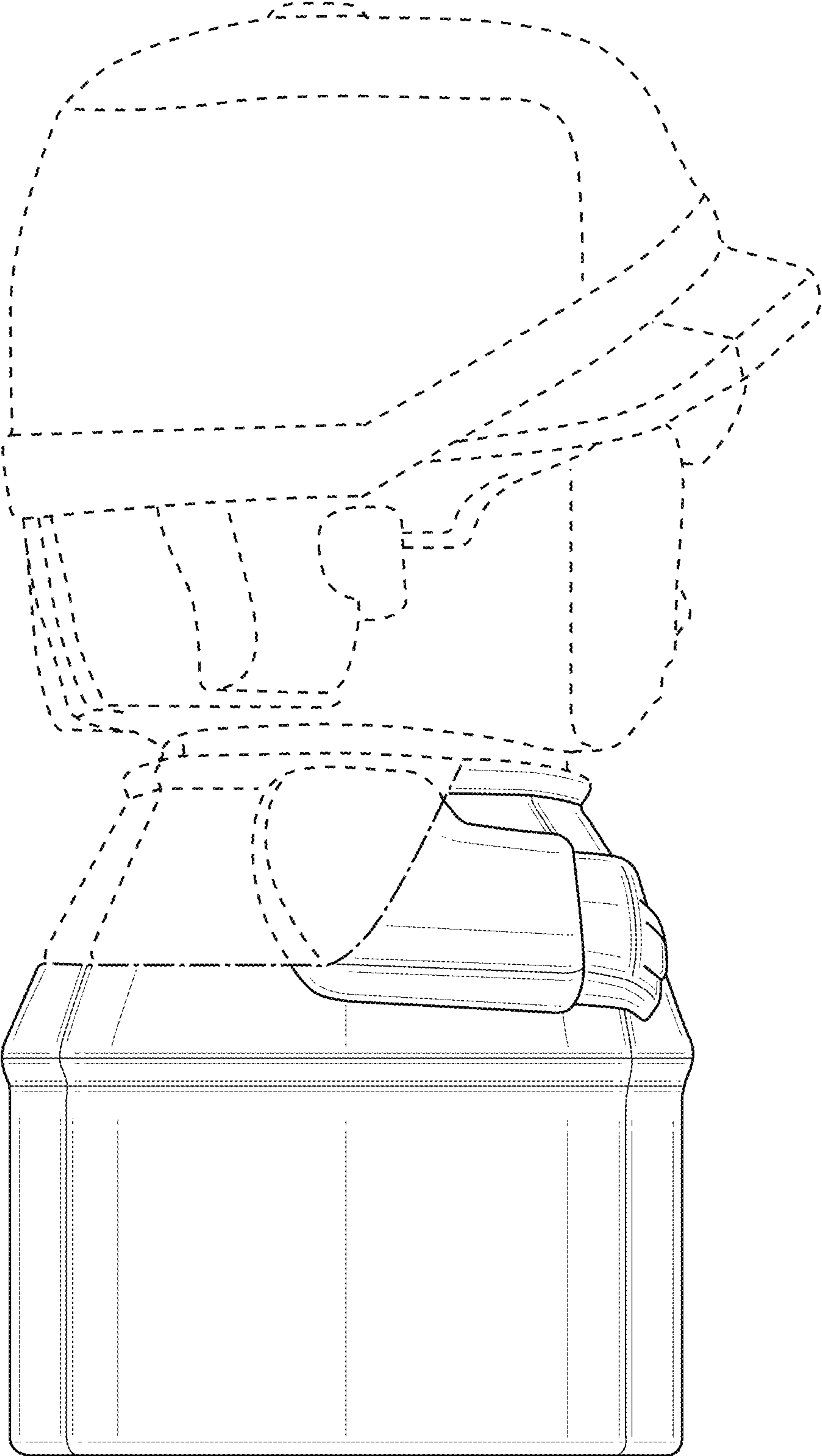


FIG. 4

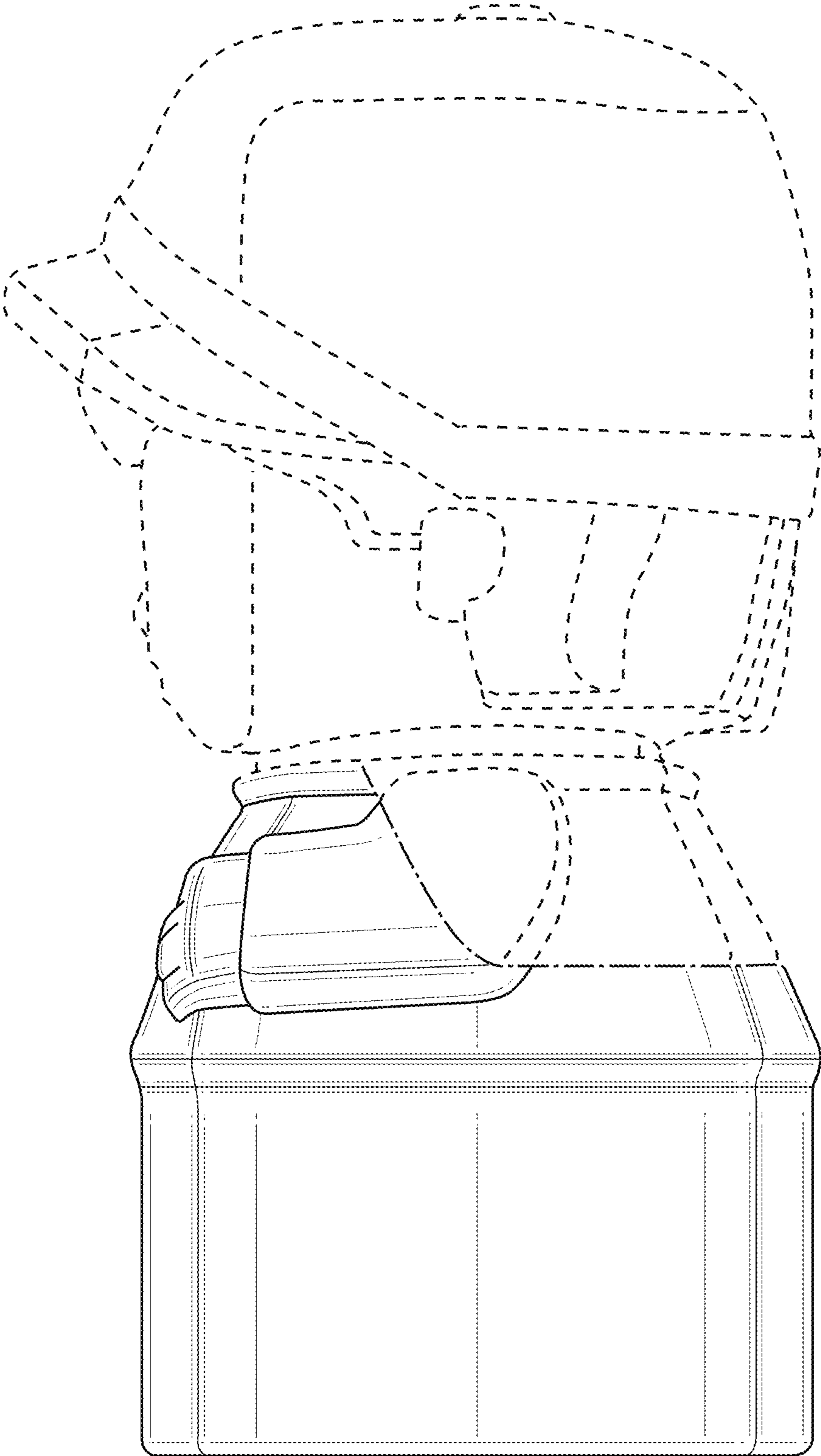


FIG. 5

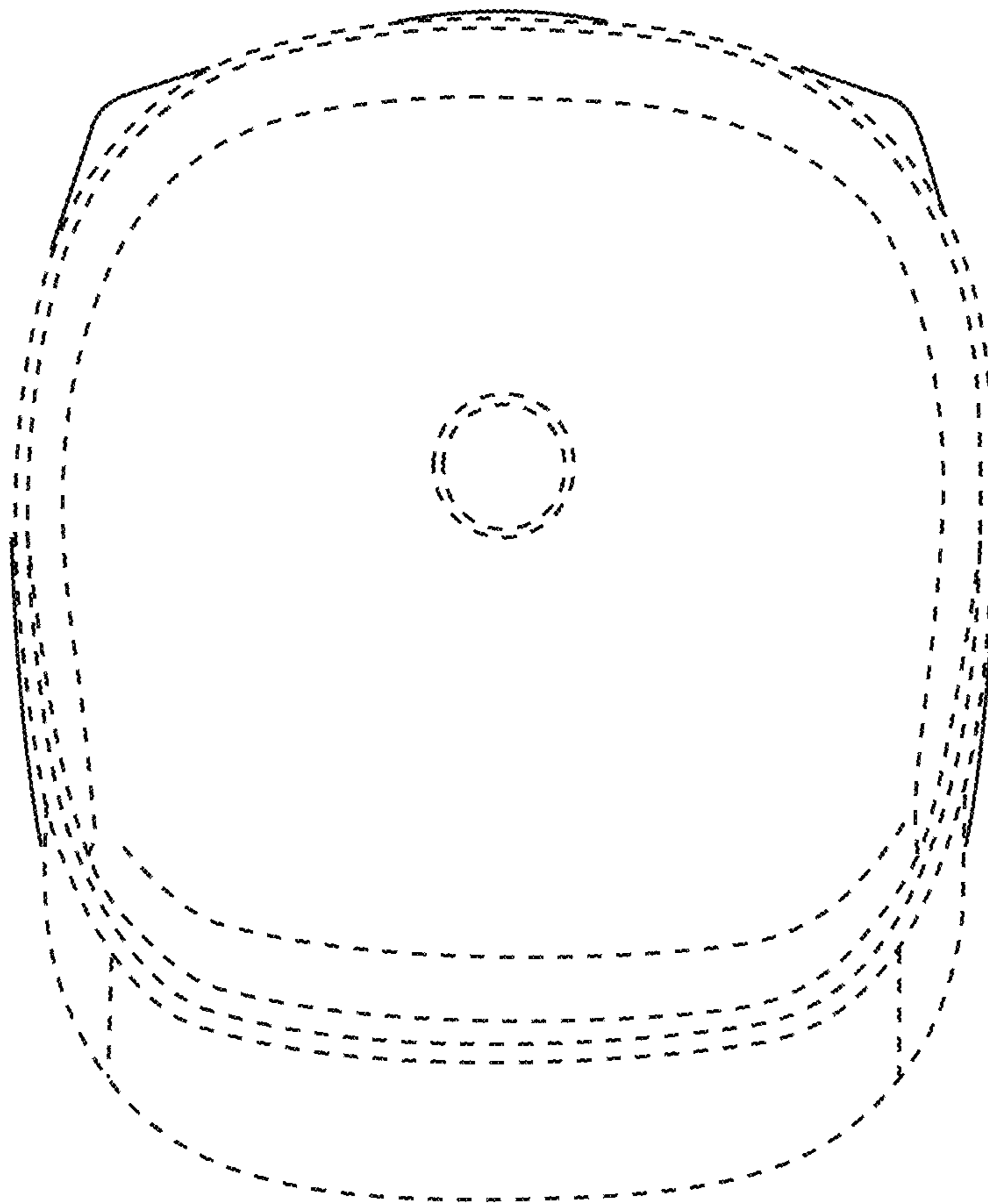


FIG. 6

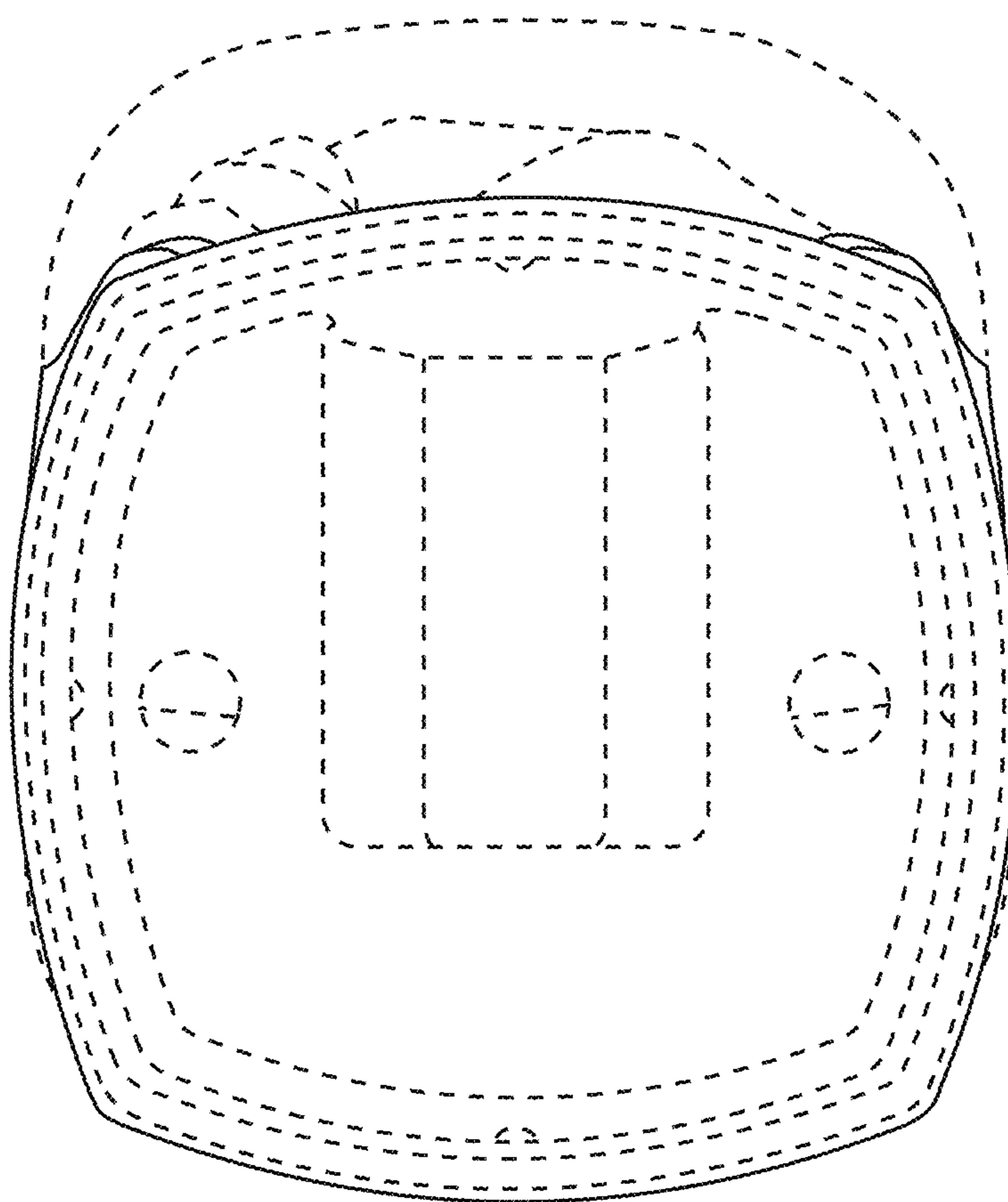


FIG. 7