



US00D790391S

(12) **United States Design Patent**
McMahon

(10) **Patent No.:** **US D790,391 S**
(45) **Date of Patent:** **** Jun. 27, 2017**

- (54) **CLASP COMBINED WITH LINKS**
- (71) Applicant: **Terence McMahon**, New York, NY
(US)
- (72) Inventor: **Terence McMahon**, New York, NY
(US)
- (**) Term: **15 Years**
- (21) Appl. No.: **29/558,092**
- (22) Filed: **Mar. 15, 2016**
- (51) **LOC (10) Cl.** **11-02**
- (52) **U.S. Cl.**
USPC **D11/143**
- (58) **Field of Classification Search**
USPC D11/131, 143, 200, 201, 206, 212, 1, 2,
D11/3, 13, 15, 17, 86, 87, 9; 24/31 R,
24/35, 16 R, 22, 305, 307, 316, 317;
D10/30, 32
CPC A44B 11/00; A44B 11/20; A44B 11/24;
A44B 11/005; A44B 99/00
See application file for complete search history.

- D728,449 S * 5/2015 Klinck D11/200
- D761,687 S * 7/2016 Venturini Fendi D11/87
- D770,934 S * 11/2016 Kelleghan D11/87

* cited by examiner

Primary Examiner — Susan Bennett Hattan
Assistant Examiner — Rebecca Tsehaye
(74) *Attorney, Agent, or Firm* — Dunlap Bennett &
Ludwig PLLC

(57) **CLAIM**

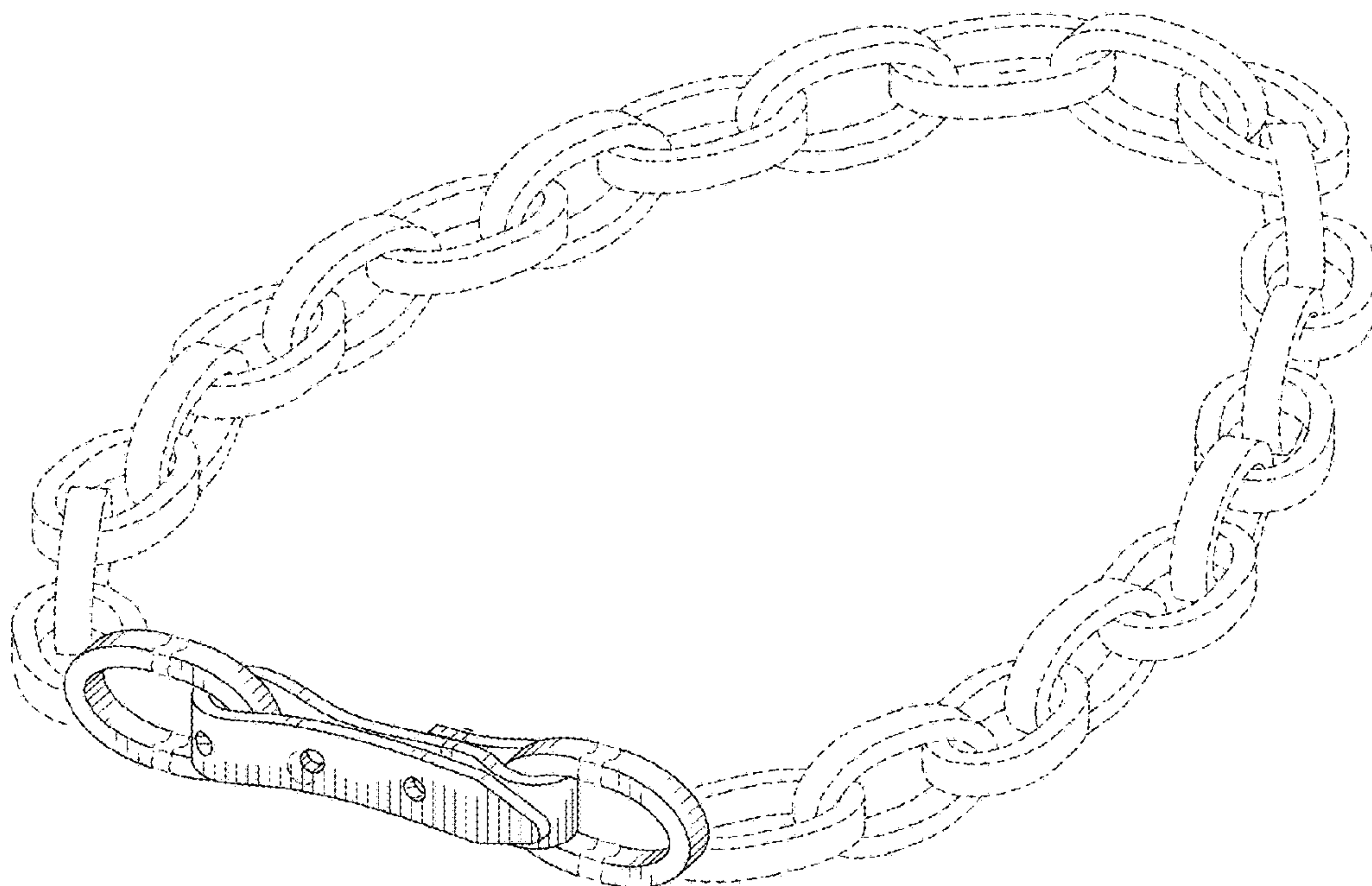
The ornamental design for a clasp combined with links, as shown and described.

DESCRIPTION

FIG. 1 is a top front perspective view of a clasp combined with links, shown in use;
FIG. 2 is a top front perspective view of FIG. 1;
FIG. 3 is a front elevation view of FIG. 1;
FIG. 4 is a rear elevation view of FIG. 1;
FIG. 5 is a top plan view of FIG. 1; the bottom plan view being a mirror image thereof;
FIG. 6 is a right side elevation view of FIG. 1; and,
FIG. 7 is a left side elevation view of FIG. 1.
The broken lines showing additional links in FIG. 1 depicts environmental subject matter that forms no part of the claimed design, while the remaining broken lines shown in the drawings depict portions of the clasp combined with links that form no part of the claimed design.
The links are shown with symbolic breaks in their lengths via wavy boundary lines. The appearance of any portion of the article between the boundary lines forms no part of the claimed design.

1 Claim, 3 Drawing Sheets

- (56) **References Cited**
U.S. PATENT DOCUMENTS
2,168,521 A * 8/1939 Greenberg A44B 11/24
24/178
4,564,982 A * 1/1986 Paolini A44C 5/24
24/68 E
D377,154 S * 1/1997 Rumo D11/3
D396,658 S * 8/1998 Engel D11/12
D563,256 S * 3/2008 Borraccino D10/32
D644,139 S * 8/2011 Kalbach D11/3
D719,483 S * 12/2014 Wilson D11/200



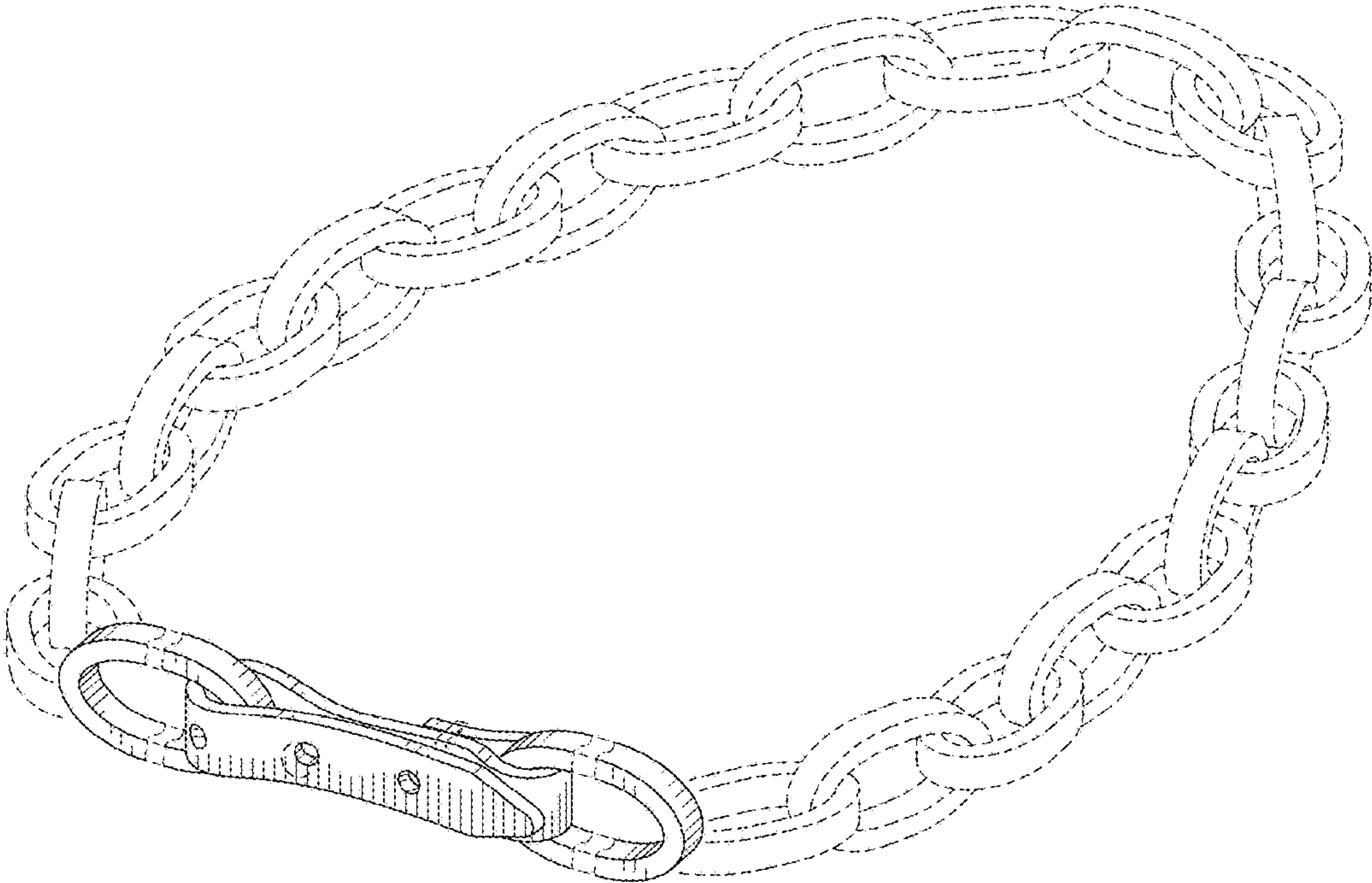


FIG. 1

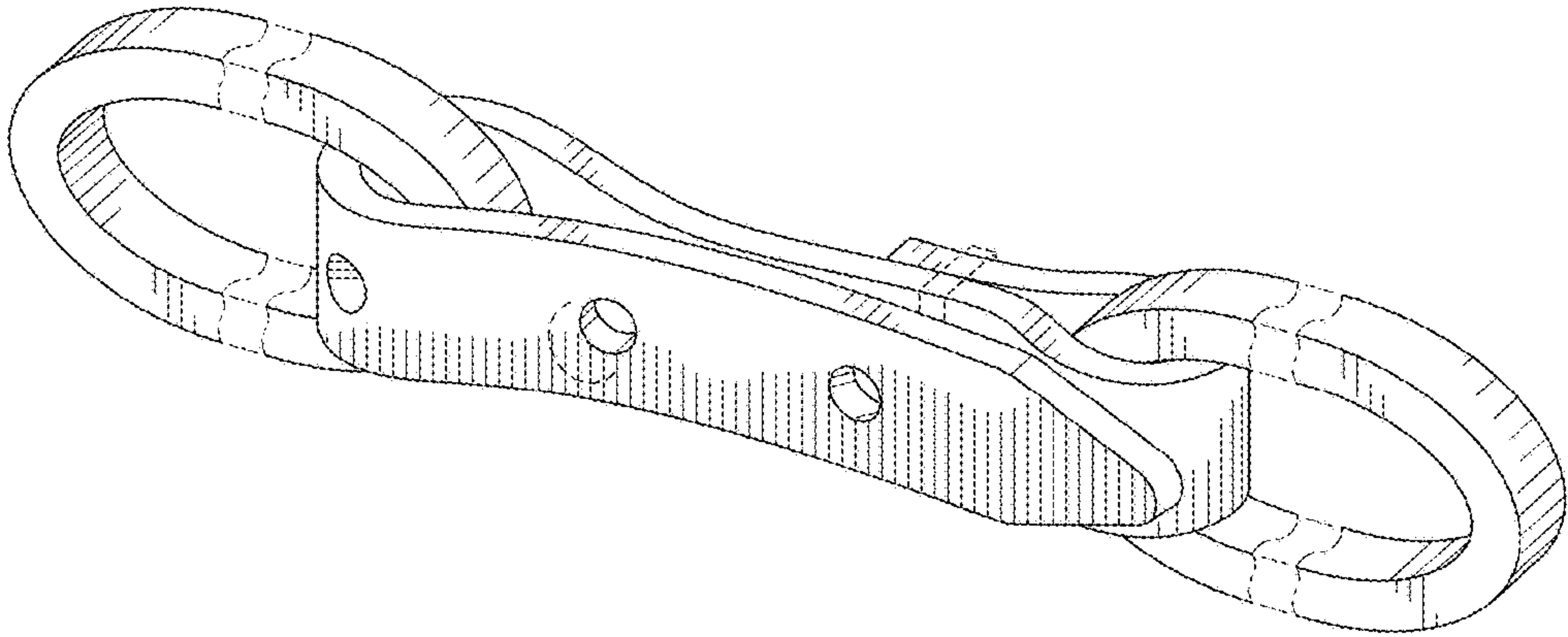


FIG. 2

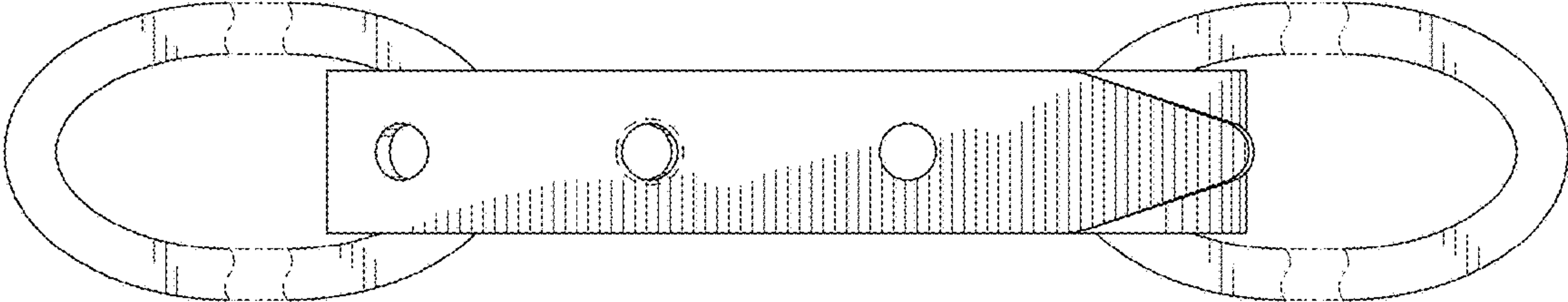


FIG.3

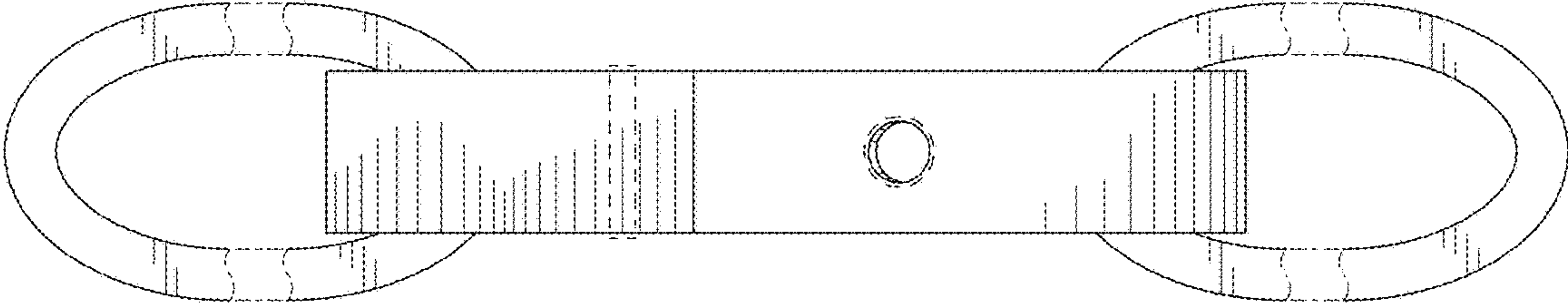


FIG.4

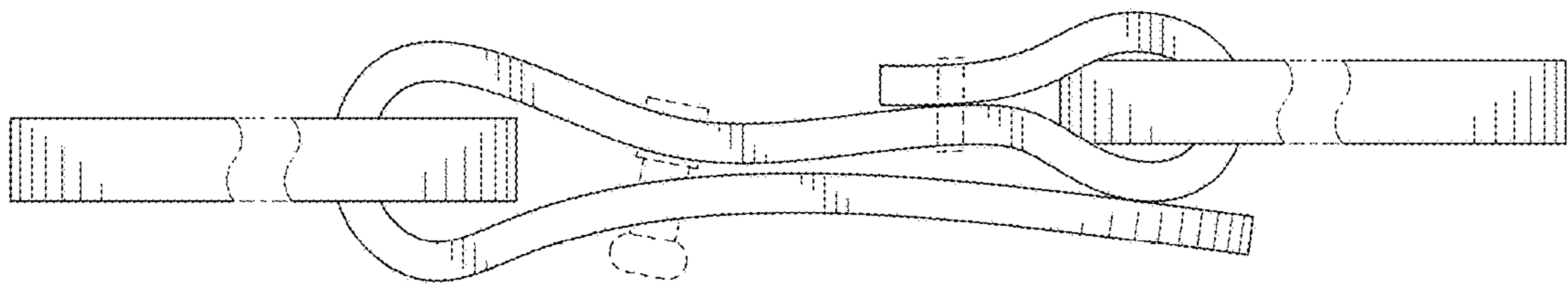


FIG. 5

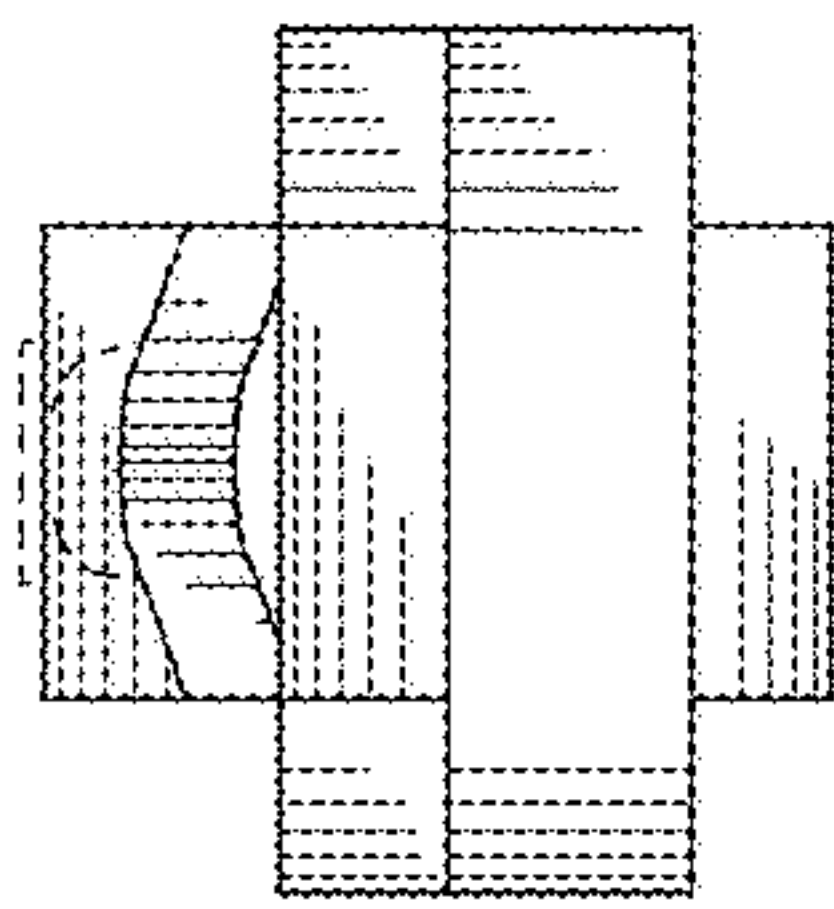


FIG. 6

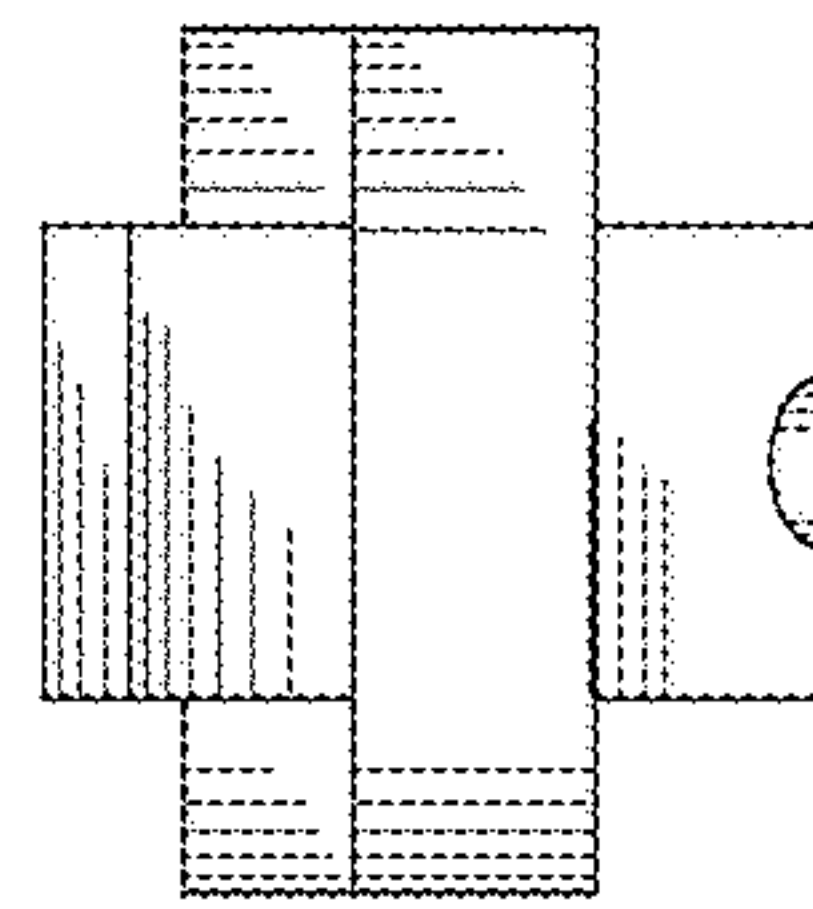


FIG. 7