



US00D790381S

(12) **United States Design Patent** (10) **Patent No.:** **US D790,381 S**  
**Plange** (45) **Date of Patent:** **\*\* Jun. 27, 2017**

(54) <b>WATCH DIAL</b>	1,496,348 A * 6/1924 McArthur ..... G04B 19/223 368/233
(71) Applicant: <b>RICHEMONT INTERNATIONAL SA, Villars-sur-Glâne (CH)</b>	1,513,526 A * 10/1924 Allenbaugh ..... G04B 19/202 116/298
(72) Inventor: <b>Gerd Thomas Rudolf Plange, Beringen (CH)</b>	5,181,190 A * 1/1993 Kanzaki ..... G04G 9/0082 368/228
(73) Assignee: <b>Richemont International SA, Villars-sur-Glâne (CH)</b>	D356,042 S * 3/1995 Nakanishi ..... D10/30 D358,341 S * 5/1995 Weichhold ..... D10/15 D386,428 S * 11/1997 Toribio ..... D10/30 D386,982 S * 12/1997 Ramos, Jr. .... D10/30 D401,866 S * 12/1998 Pandel ..... D10/30 6,141,295 A * 10/2000 Lange ..... G04B 19/202 368/185
(**) Term: <b>14 Years</b>	D548,625 S * 8/2007 Schoepfer ..... D10/2 D553,533 S * 10/2007 De Witt ..... D10/124 D576,905 S * 9/2008 Calvani ..... D10/126
(21) Appl. No.: <b>29/524,346</b>	
(22) Filed: <b>Apr. 20, 2015</b>	(Continued)

(30) **Foreign Application Priority Data**

Oct. 20, 2014 (WO) ..... DM/084706

(51) **LOC (10) Cl.** ..... **10-07**

(52) **U.S. Cl.**  
USPC ..... **D10/126**

(58) **Field of Classification Search**  
USPC ..... D10/1-41, 122-126, 128, 131, 132;  
D13/162.1; D23/245, 246; D16/200,  
D16/217, 218, 220; 368/294  
CPC ..... A01G 25/00; A01G 25/16; A01G 25/162;  
A01G 25/165; B05B 12/00; B05B 12/02;  
F16K 31/48; G05D 7/00; G05D 7/06;  
G05D 7/0635; G04F 3/00; G04F 3/02;  
G04F 7/06; G04B 39/00; G04B 39/002;  
G04B 39/004; G04B 39/006; G04B 19/06  
See application file for complete search history.

(56) **References Cited**

U.S. PATENT DOCUMENTS

1,390,801 A \* 9/1921 Lyons ..... G04B 19/223  
116/307

1,397,319 A \* 11/1921 Lyons ..... G04B 19/223  
116/301

*Primary Examiner* — Sandra Snapp  
(74) *Attorney, Agent, or Firm* — Taft Stettinius & Hollister LLP

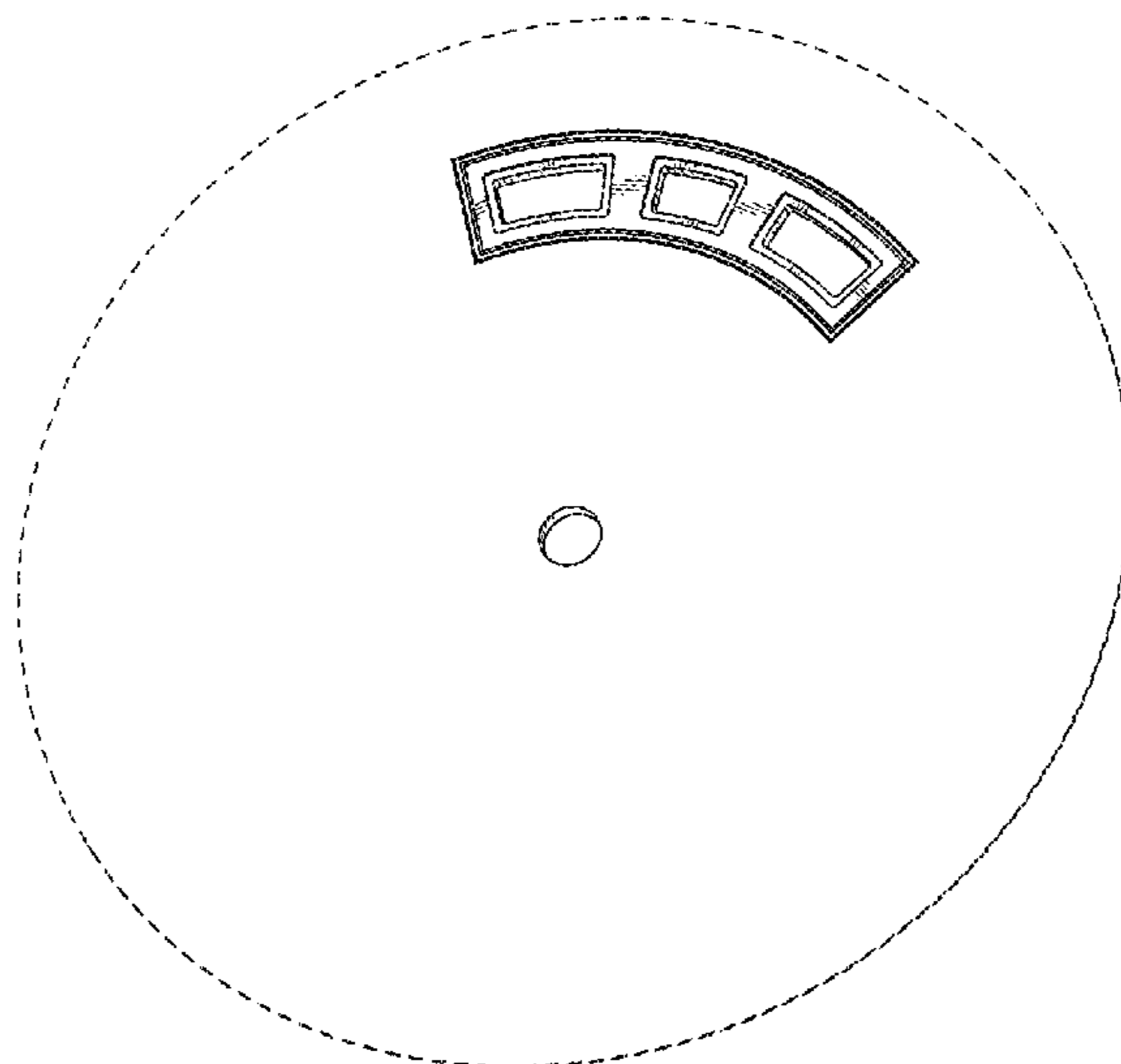
(57) **CLAIM**

The ornamental design for a watch dial, as shown and described.

**DESCRIPTION**

FIG. 1 is a front side view of a watch dial of the present invention.  
FIG. 2 is a rear side view of the watch dial of FIG. 1.  
FIG. 3 is a right side view of the watch dial of FIG. 1.  
FIG. 4 is a left side view of the watch dial of FIG. 1.  
FIG. 5 is a bottom side view of the watch dial of FIG. 1.  
FIG. 6 is a top side view of the watch dial of FIG. 1.  
FIG. 7 is a front-side perspective view of the watch dial of FIG. 1; and,  
FIG. 8 is a rear-side perspective view of the watch dial of FIG. 1.  
The broken lines in the drawings are used to show portions of the watch dial that do not form part of the claimed design.

**1 Claim, 4 Drawing Sheets**



(56)

**References Cited**

U.S. PATENT DOCUMENTS

D579,350	S	*	10/2008	Calvani	.....	D10/39
D585,309	S	*	1/2009	Monachon	.....	D10/39
D592,080	S	*	5/2009	Mijatovic	.....	D10/39
D616,782	S	*	6/2010	Chastaingt	.....	D10/126
D620,382	S	*	7/2010	Hegi	.....	D10/126
D646,190	S	*	10/2011	Dordor	.....	D10/126
D685,281	S	*	7/2013	Hamel	.....	D10/126
D707,572	S	*	6/2014	Calvani	.....	D10/39
D710,731	S	*	8/2014	Calvani	.....	D10/126
D714,661	S	*	10/2014	Calvani	.....	D10/39
D718,648	S	*	12/2014	Calvani	.....	D10/126
D720,639	S	*	1/2015	Boulangéot	.....	D10/126
D722,901	S	*	2/2015	Cerrato	.....	D10/126
D759,512	S	*	6/2016	Belamich	.....	D10/126
D761,129	S	*	7/2016	Calvani	.....	D10/126
D761,680	S	*	7/2016	Plange	.....	D10/126
D761,681	S	*	7/2016	Engelbrecht	.....	D10/126

\* cited by examiner

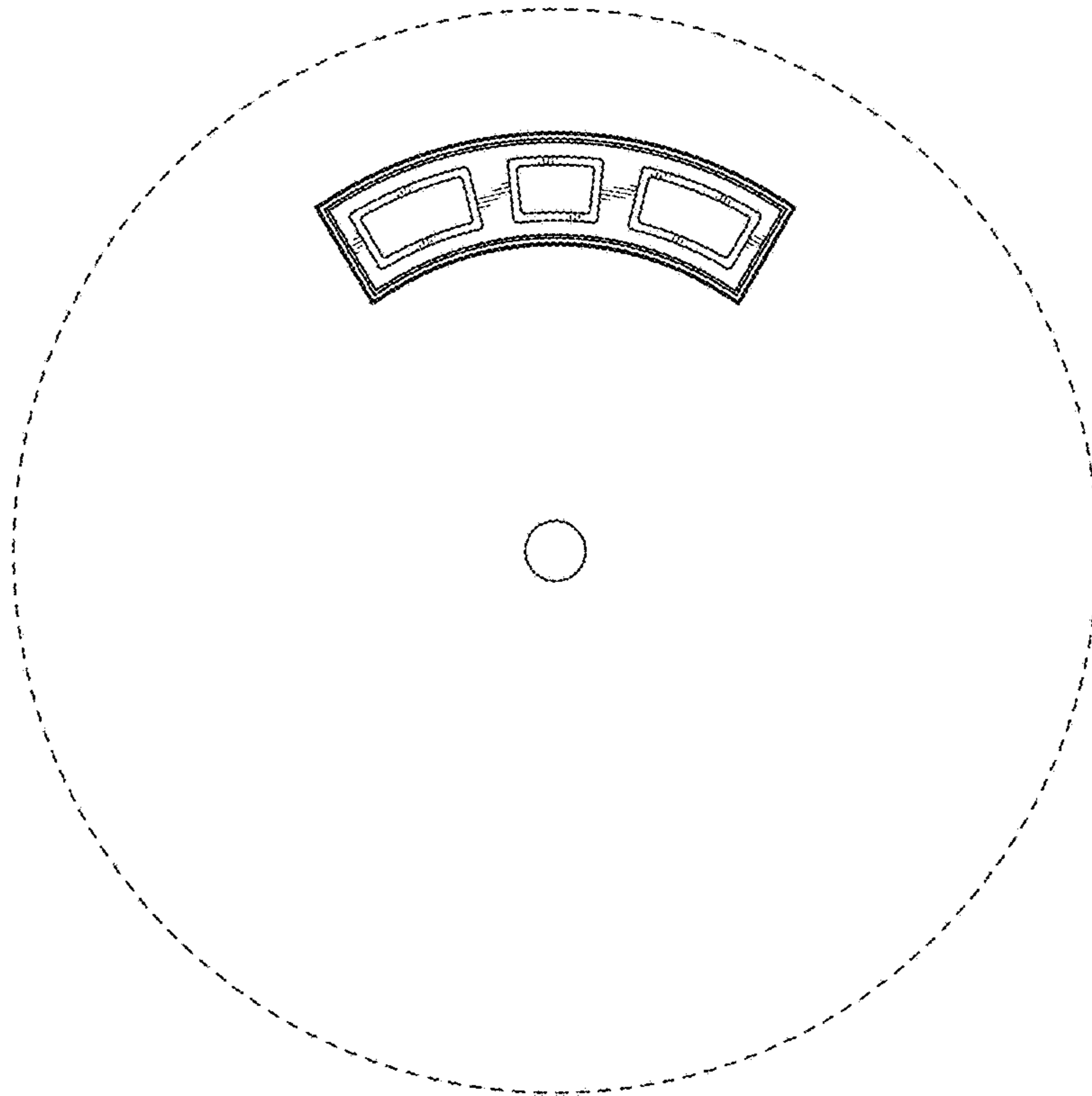


FIG. 1

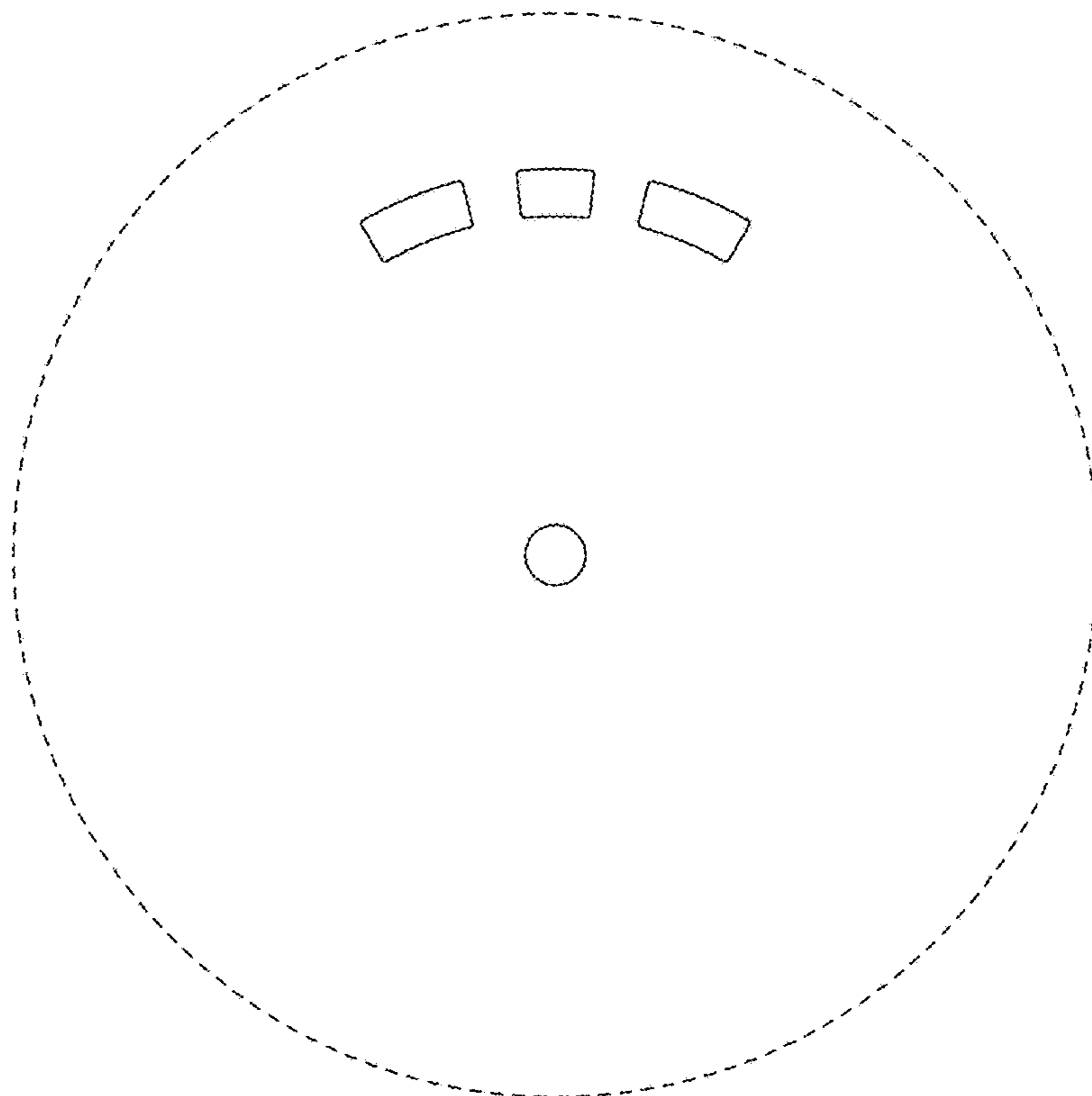
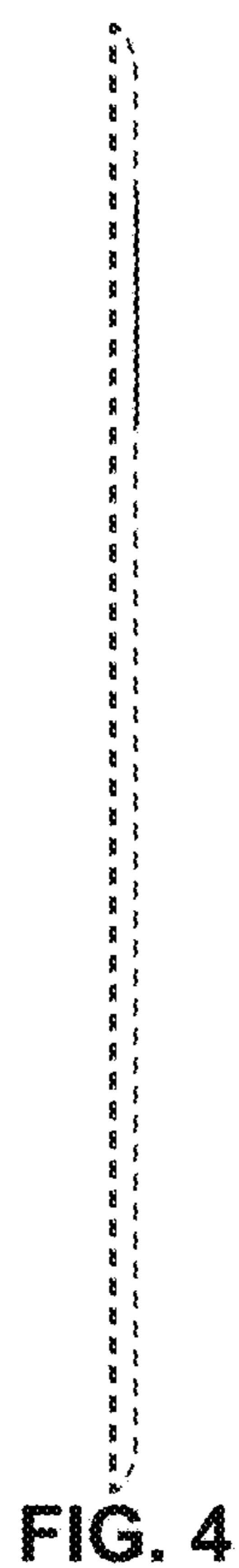
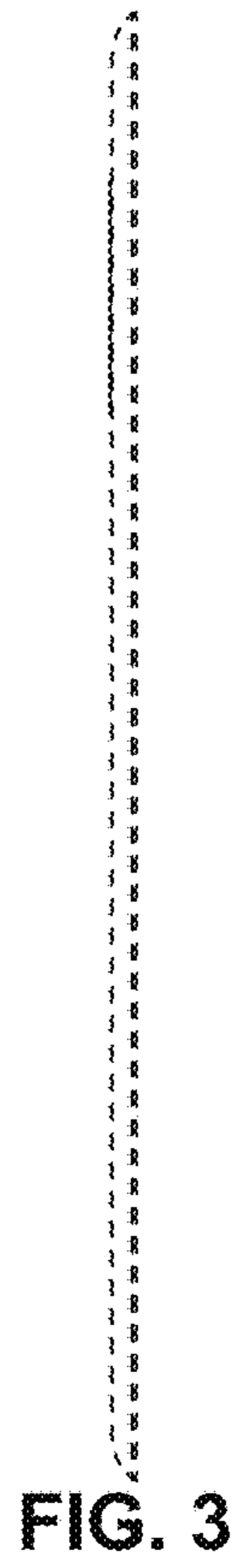
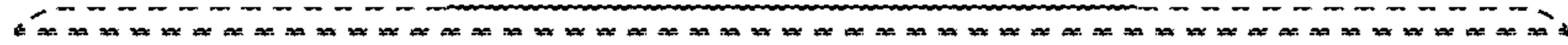


FIG. 2





**FIG. 5**



**FIG. 6**

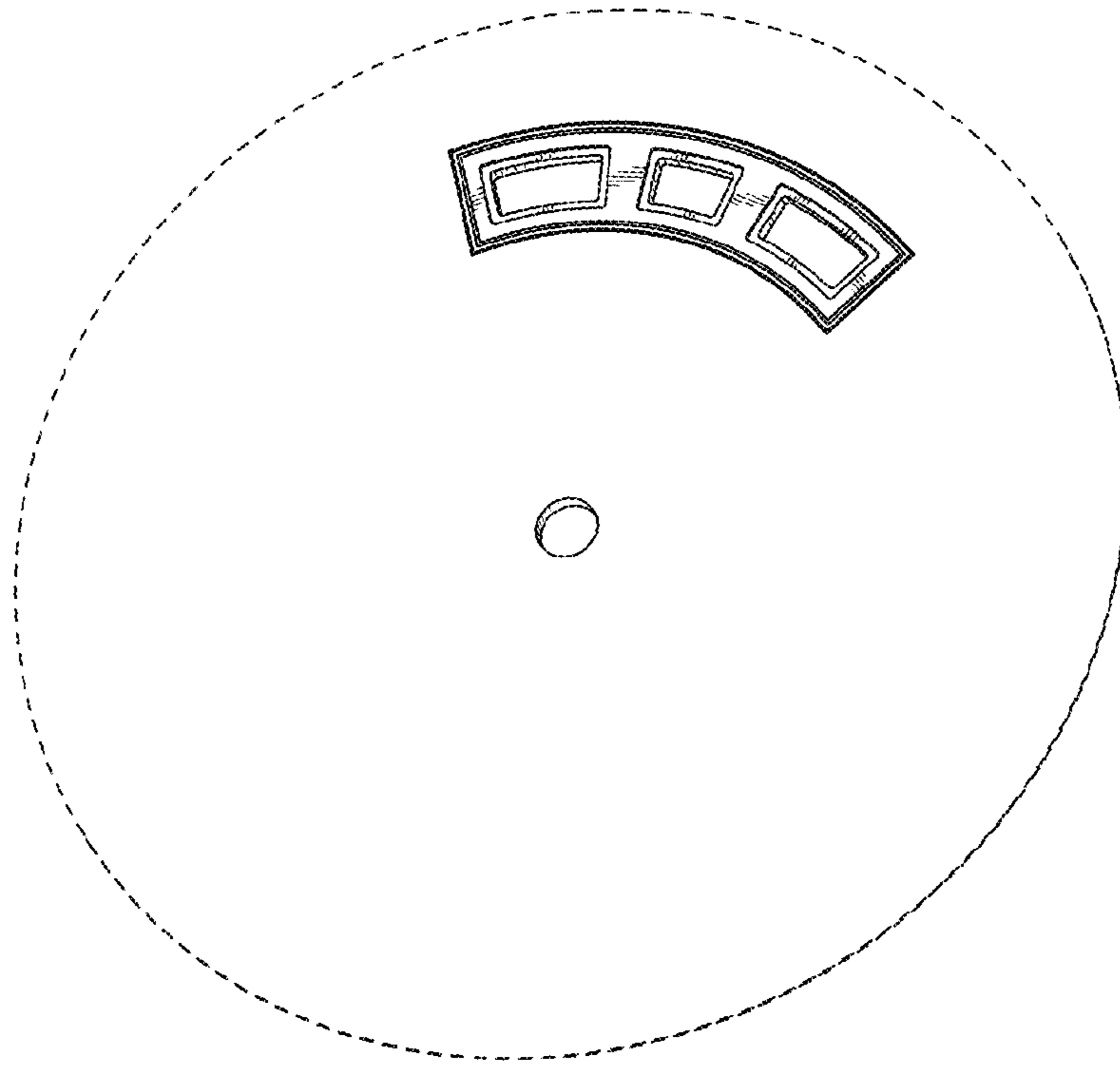


FIG. 7

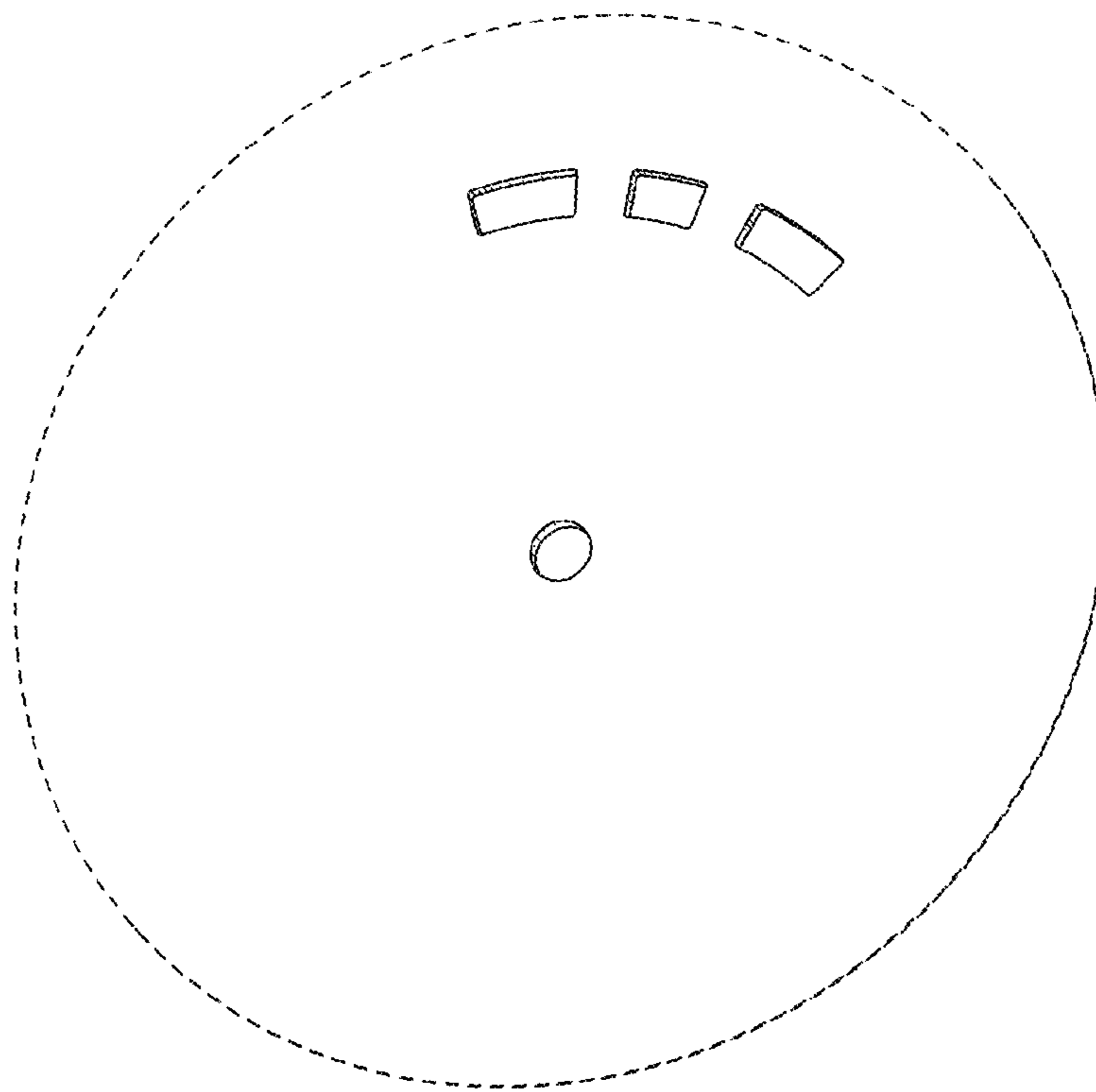


FIG. 8