



US00D790380S

(12) **United States Design Patent** (10) **Patent No.:** **US D790,380 S**
Healy (45) **Date of Patent:** **** Jun. 27, 2017**

(54) **DOORBELL RINGER**
(71) Applicant: **Michael Healy**, Uxbridge, MA (US)
(72) Inventor: **Michael Healy**, Uxbridge, MA (US)
(**) Term: **15 Years**

D646,949 S * 10/2011 Zaksenberg D8/103
D656,067 S * 3/2012 Dunn D11/184
D666,938 S * 9/2012 Dunn D11/184
8,327,793 B1 12/2012 Healy
D761,686 S * 7/2016 Conner D11/184

* cited by examiner

(21) Appl. No.: **29/568,866**
(22) Filed: **Jun. 22, 2016**
(51) **LOC (10) Cl.** **10-05**
(52) **U.S. Cl.**
USPC **D10/118.2**
(58) **Field of Classification Search**
USPC D11/95, 99, 184; D10/116.1, 118, 118.2,
D10/121, 122, 123, 124, 126
CPC ... G08B 3/00; G08B 3/10; G08B 7/00; G08B
7/06
See application file for complete search history.

Primary Examiner — George D Kirschbaum
Assistant Examiner — Joseph Kukella
(74) *Attorney, Agent, or Firm* — Salter & Michaelson

(57) **CLAIM**

The ornamental design for a doorbell ringer, as shown and described.

DESCRIPTION

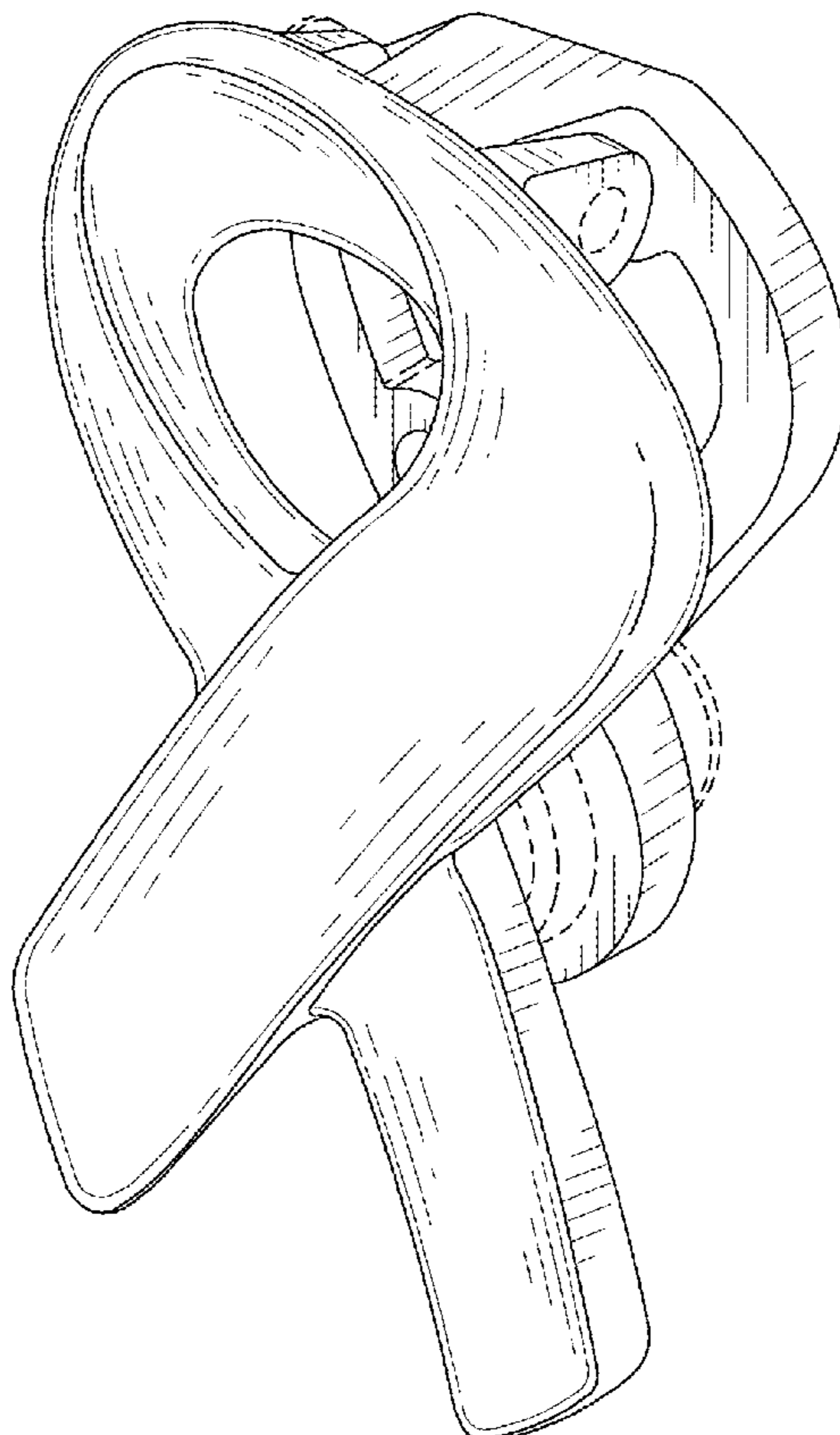
FIG. 1 is a perspective view of a doorbell ringer;
FIG. 2 is a front elevational view thereof;
FIG. 3 is a rear elevational view thereof;
FIG. 4 is a right side elevational view thereof;
FIG. 5 is a left side elevational view thereof;
FIG. 6 is a top plan view thereof; and,
FIG. 7 is a bottom plan view thereof.
The broken lines shown in the drawing views are included for the purpose of showing environmental structure that forms no part of the claimed design.

(56) **References Cited**

U.S. PATENT DOCUMENTS

D378,904 S * 4/1997 Sciuto D11/66
D394,822 S * 6/1998 Swenson D11/77
D404,671 S * 1/1999 Stannard D10/116.1
D481,647 S * 11/2003 Drew D11/56
D625,592 S 10/2010 Healy
D625,593 S 10/2010 Healy
D639,700 S * 6/2011 Adams D11/95

1 Claim, 5 Drawing Sheets



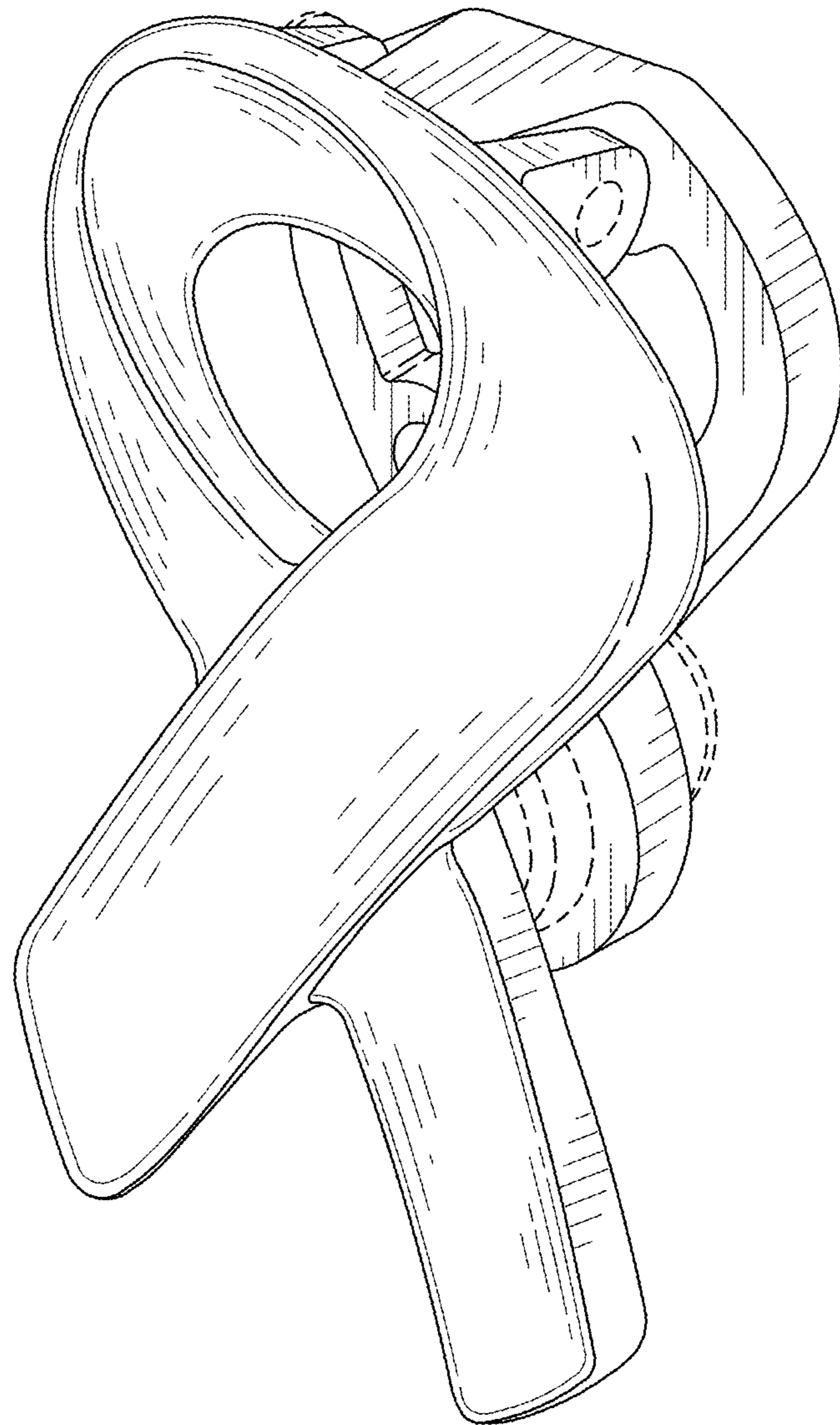


FIG. 1

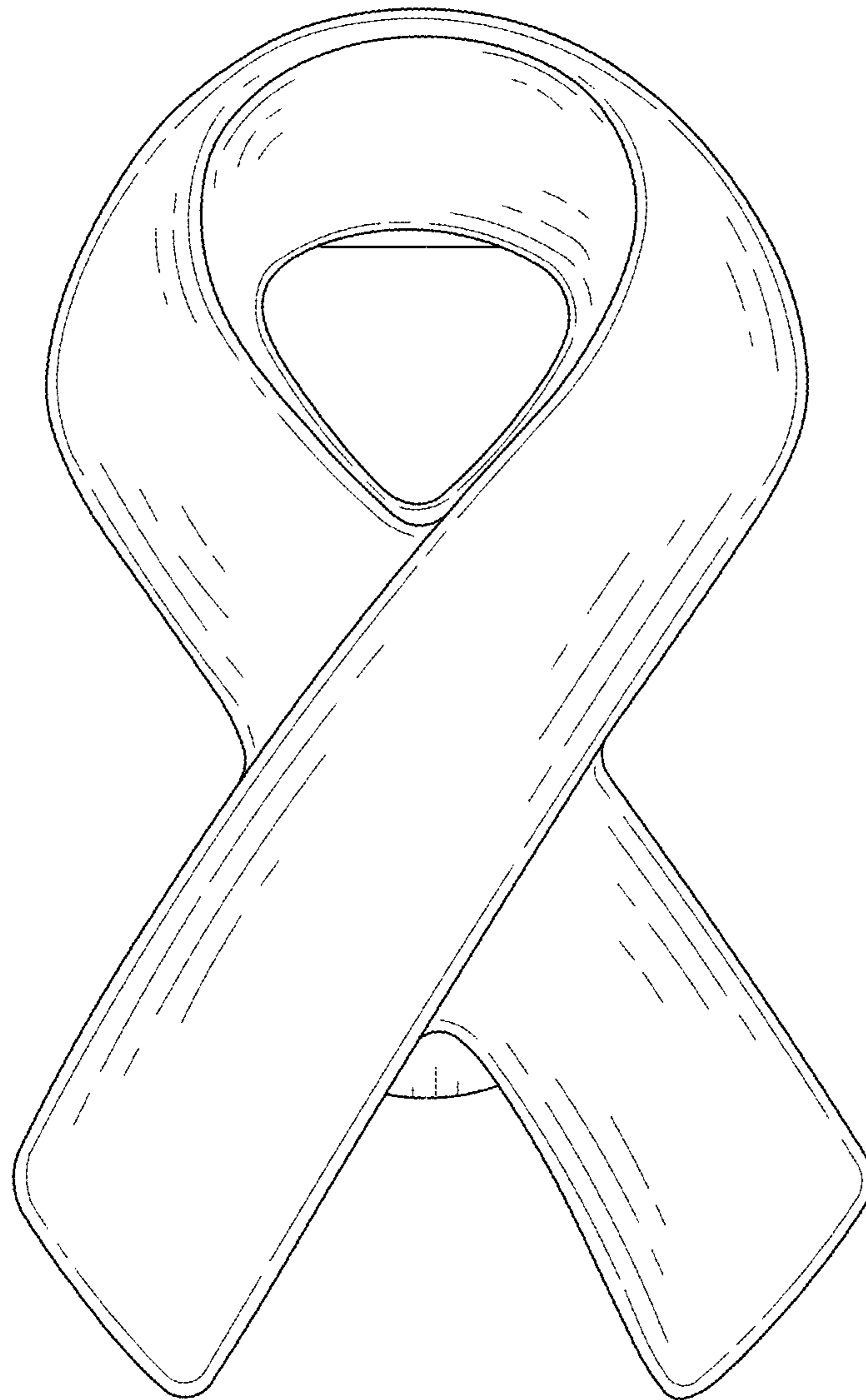


FIG. 2

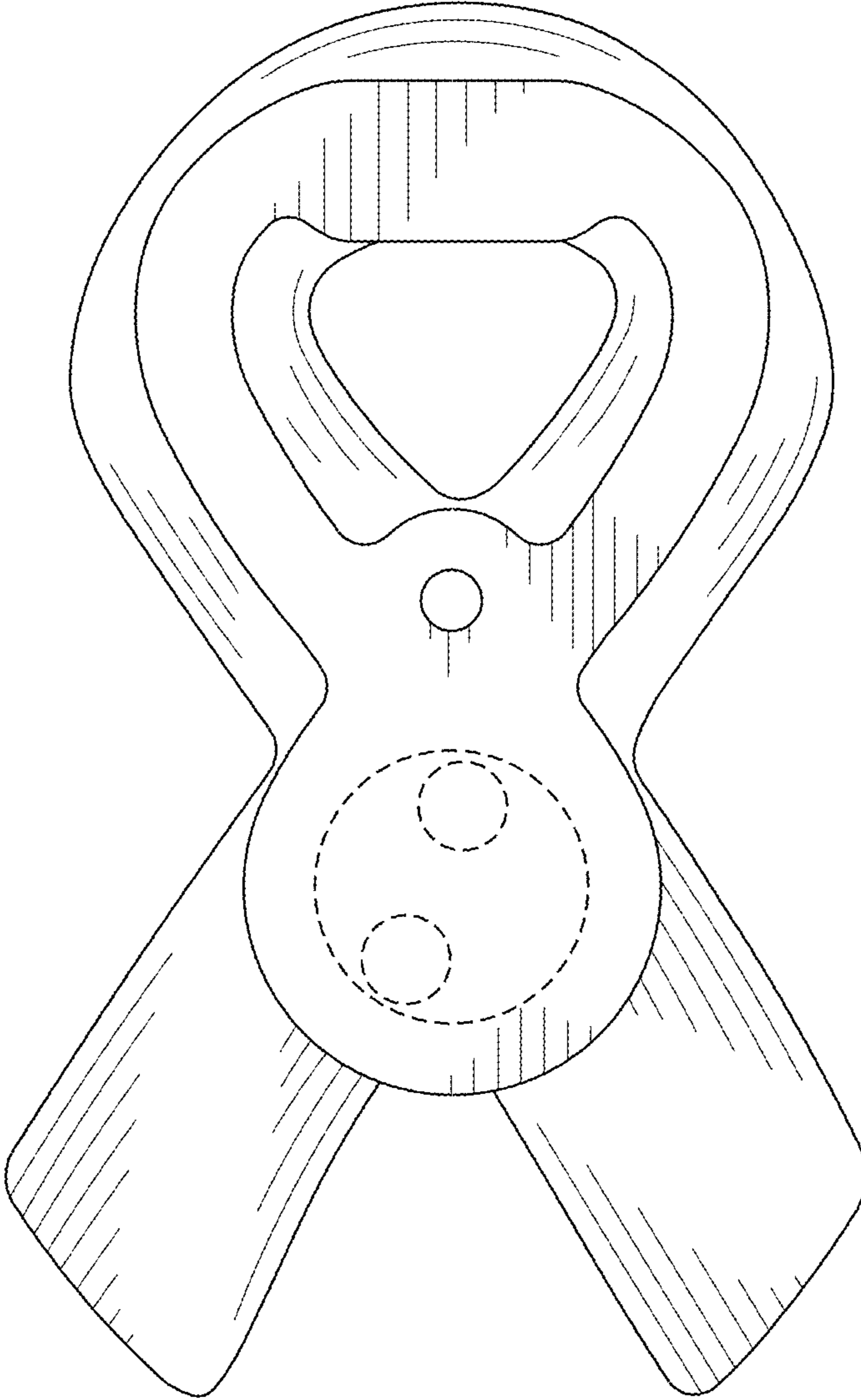


FIG. 3

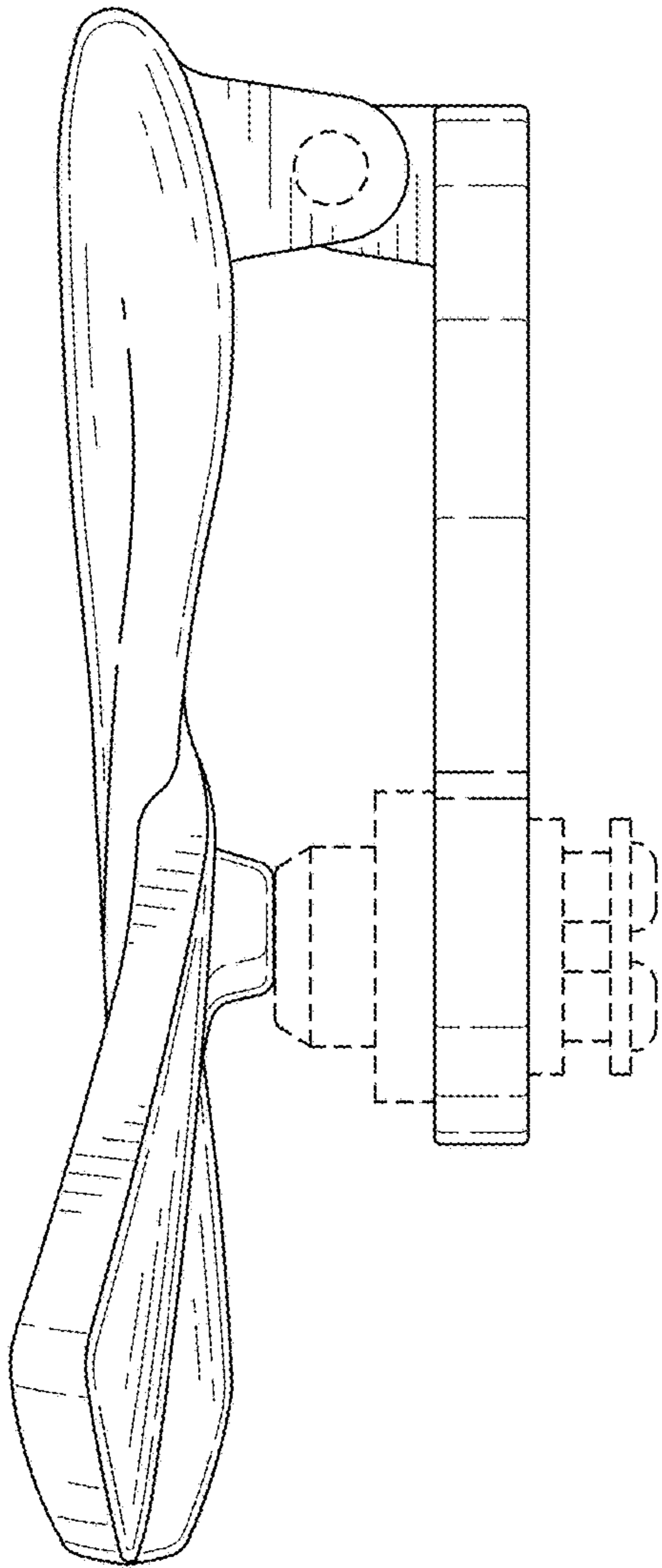


FIG. 4

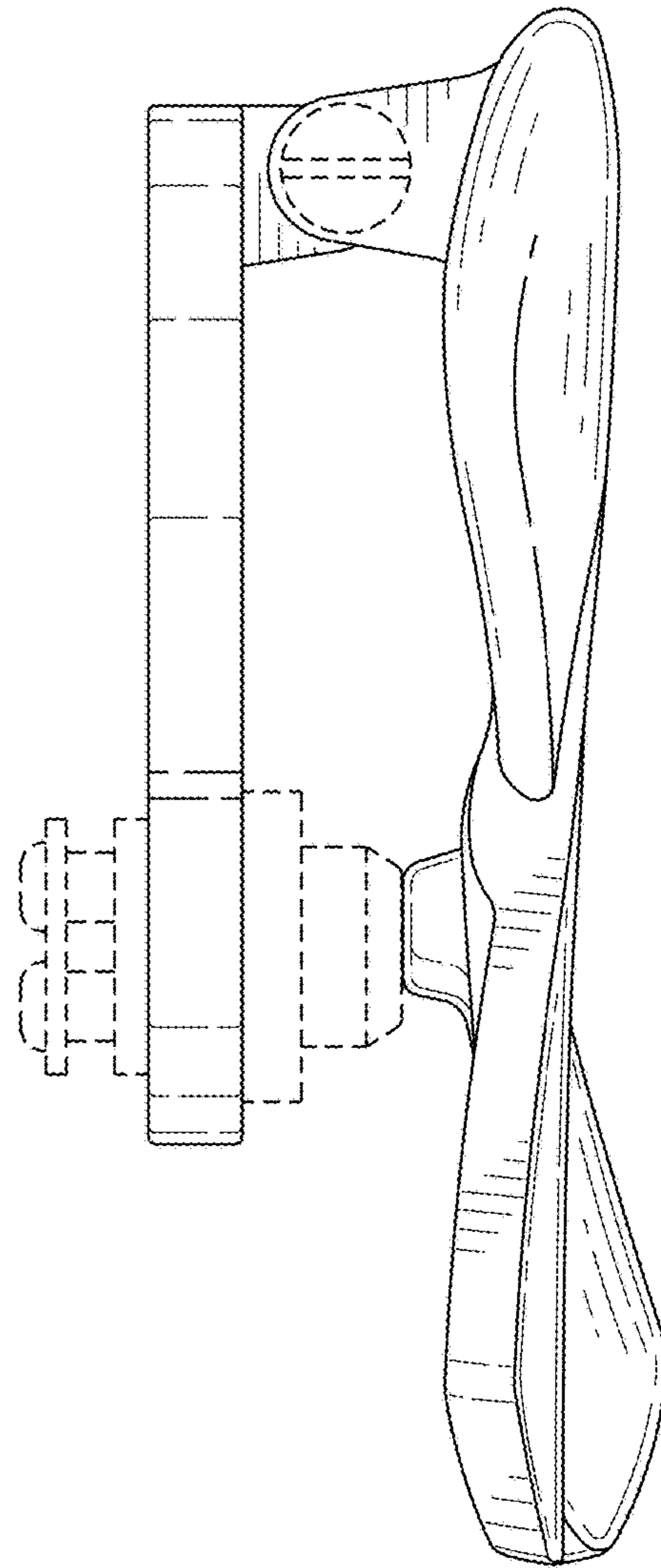


FIG. 5

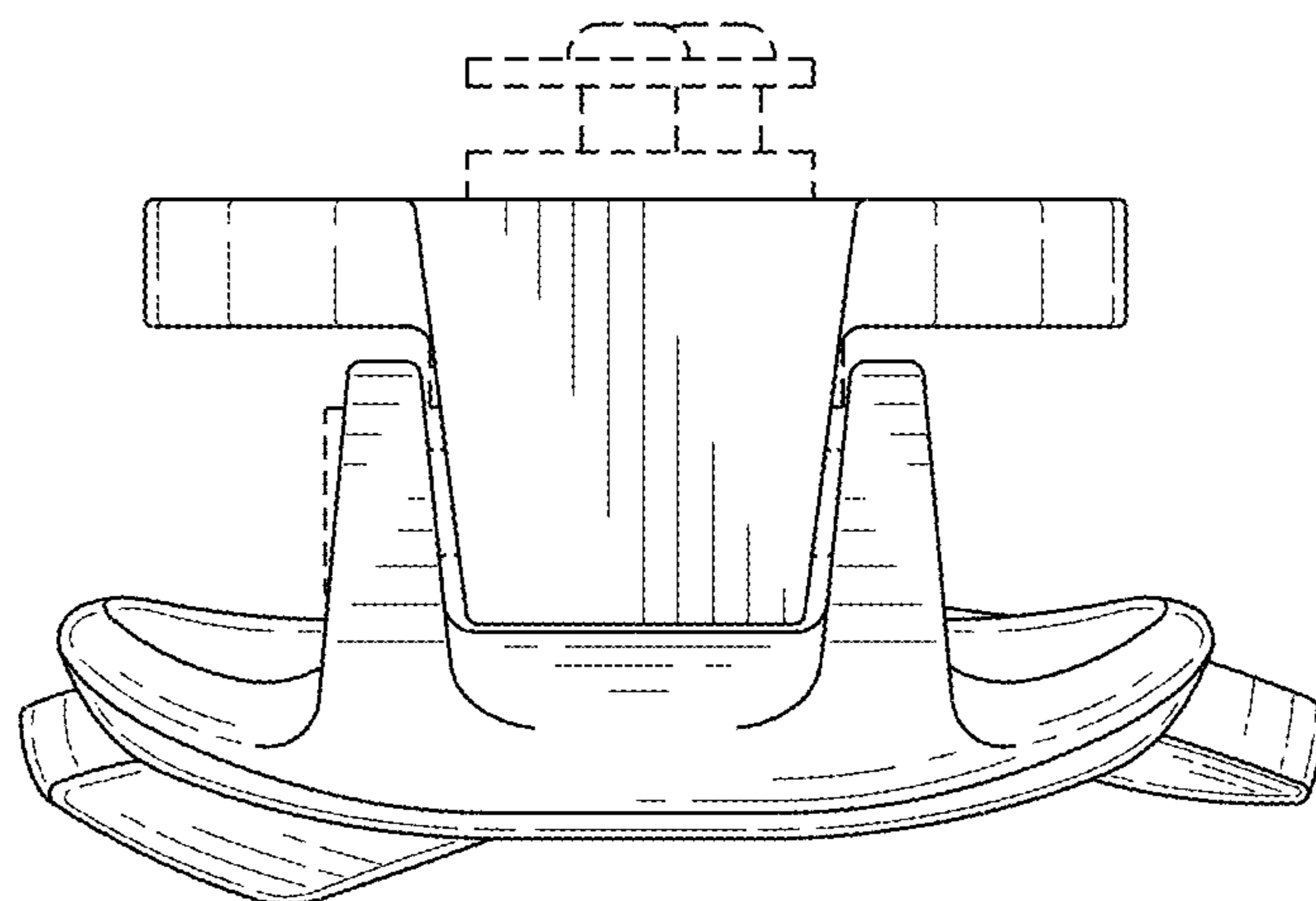


FIG. 6

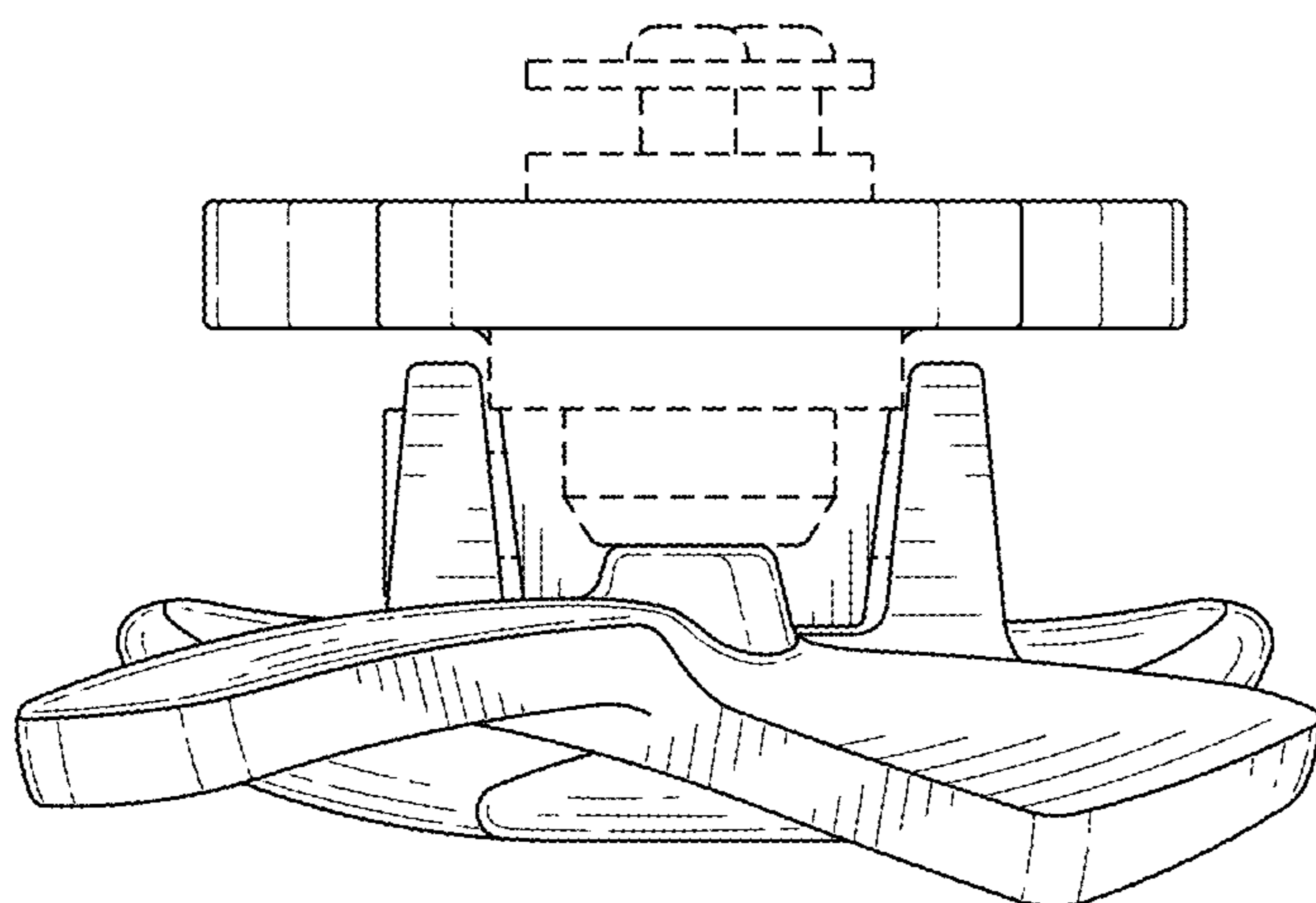


FIG. 7