



US00D790376S

(12) **United States Design Patent**  
**Peng et al.**

(10) **Patent No.:** **US D790,376 S**  
(45) **Date of Patent:** **\*\* Jun. 27, 2017**

(54) **MEASURING INSTRUMENT**

FOREIGN PATENT DOCUMENTS

(71) Applicant: **APEX BIOTECHNOLOGY CORP.**,  
Hsinchu (TW)

CN 302458200 6/2013  
CN 303021266 12/2014

(Continued)

(72) Inventors: **Chia-Yi Peng**, Hsinchu (TW);  
**Ming-Chang Hsu**, Hsinchu (TW)

*Primary Examiner* — Antoine D Davis

(74) *Attorney, Agent, or Firm* — Liu & Liu

(73) Assignee: **APEX BIOTECHNOLOGY CORP.**,  
Hsinchu (TW)

(\*\*) Term: **15 Years**

(57) **CLAIM**

The ornamental design for a measuring instrument, as shown and described.

(21) Appl. No.: **29/539,795**

(22) Filed: **Sep. 17, 2015**

(30) **Foreign Application Priority Data**

**DESCRIPTION**

Mar. 20, 2015 (TW) ..... 104301470

(51) **LOC (10) Cl.** ..... **10-04**

(52) **U.S. Cl.**  
USPC ..... **D10/81; D24/169**

(58) **Field of Classification Search**  
USPC ..... D10/78, 81; D24/169, 186, 216  
CPC ... A61B 5/145; A61B 5/0002; A61B 5/14532;  
A61B 2562/0295; A61B 2560/04; A61B  
2560/0406; A61B 2560/0412; A61B  
2560/0418; A61B 2560/0425; A61B  
2560/0431; A61B 2560/0437; A61B  
2560/0443; A61B 2560/045

See application file for complete search history.

FIG. 1 is a front bottom perspective view of a measuring instrument showing our new design;  
FIG. 2 is a top front perspective view thereof;  
FIG. 3 is a front view thereof;  
FIG. 4 is a rear view thereof;  
FIG. 5 is a left side view thereof;  
FIG. 6 is a right side view thereof;  
FIG. 7 is a top plan view thereof;  
FIG. 8 is a bottom plan view thereof;  
FIG. 9 is an enlarged view of the portion designated by dash-dot broken line circle A in the front view thereof;  
FIG. 10 is an enlarged view of the portion designated by dash-dot broken line circle D in the top plan view thereof;  
FIG. 11 is an enlarged view of the portion designated by dash-dot broken line circle E in the bottom plan view thereof;  
FIG. 12 is an enlarged view of the portion designated by dash-dot broken line circle B in the left side view thereof;  
and,  
FIG. 13 is an enlarged view of the portion designated by dash-dot broken line circle C in the right side view thereof.  
The dashed broken lines shown in FIGS. 1-13 are not part of the claimed design.

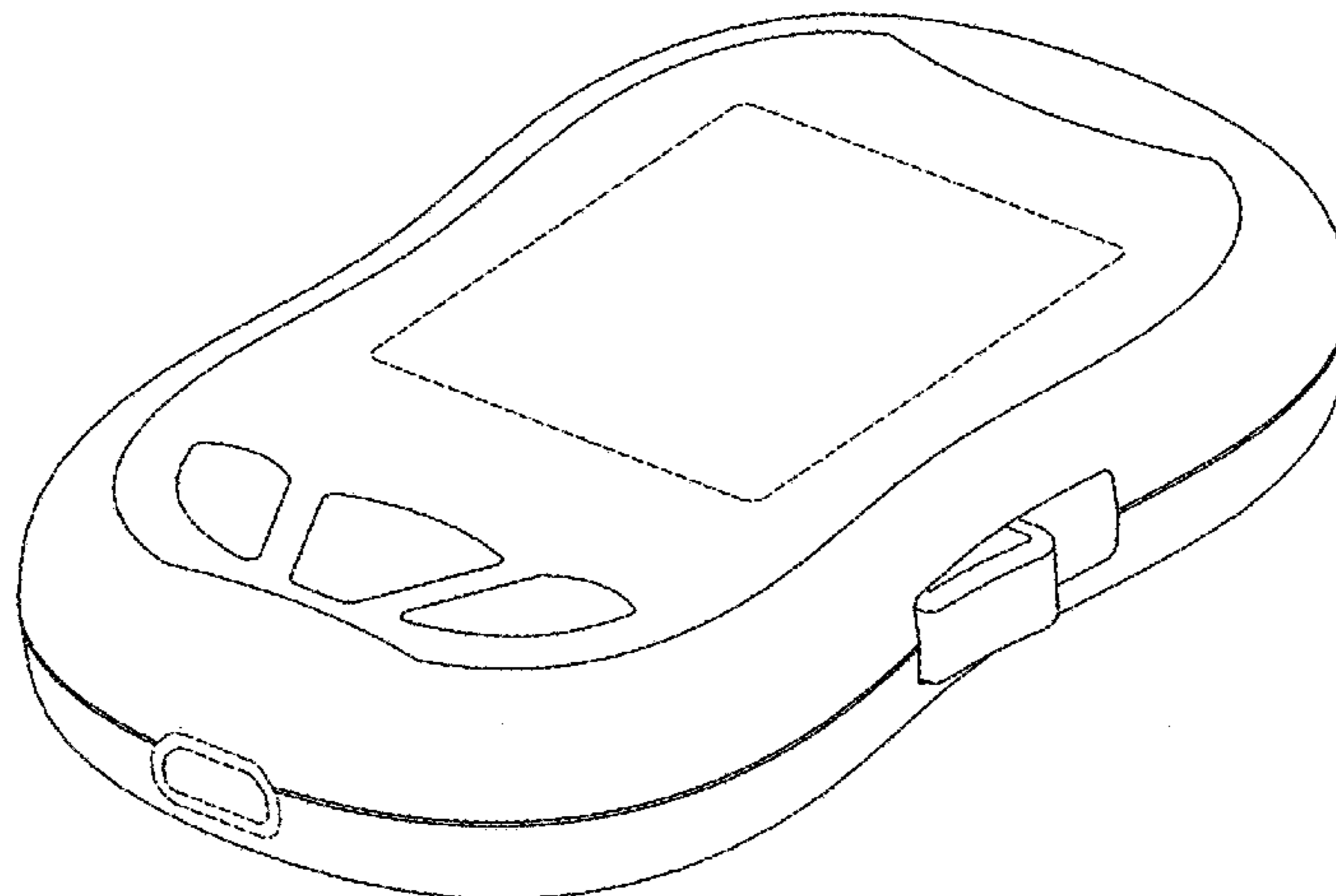
(56) **References Cited**

U.S. PATENT DOCUMENTS

5,507,288 A \* 4/1996 Bocker ..... A61B 5/0002  
128/903  
D528,933 S \* 9/2006 Hunter ..... D10/78  
7,794,658 B2 \* 9/2010 Kermani ..... G01N 27/3273  
324/123 R  
7,946,171 B2 \* 5/2011 Meinecke ..... A61B 5/14532  
73/431

(Continued)

**1 Claim, 9 Drawing Sheets**



(56)

**References Cited**

U.S. PATENT DOCUMENTS

D651,925 S \* 1/2012 Faulkner ..... D10/78  
8,101,126 B2 \* 1/2012 Flora ..... A61B 5/14532  
422/50  
8,436,844 B2 \* 5/2013 Rutkowski ..... G09G 3/006  
345/211  
D684,490 S \* 6/2013 Nelson ..... D10/78  
D684,491 S \* 6/2013 Confield ..... D10/78  
8,480,969 B2 \* 7/2013 Fukuzawa ..... A61B 5/14532  
206/1.5  
D694,141 S \* 11/2013 Lienkamp ..... D10/101  
8,906,305 B2 \* 12/2014 Brenneman ..... G01N 33/48757  
221/102  
D723,404 S \* 3/2015 Faulkner ..... D10/78  
D778,445 S \* 2/2017 Cadio ..... D24/169  
D779,350 S \* 2/2017 Shen ..... D10/78  
D782,927 S \* 4/2017 Nothacker ..... D10/81

FOREIGN PATENT DOCUMENTS

CN 303083838 1/2015  
TW D148014 7/2012

\* cited by examiner

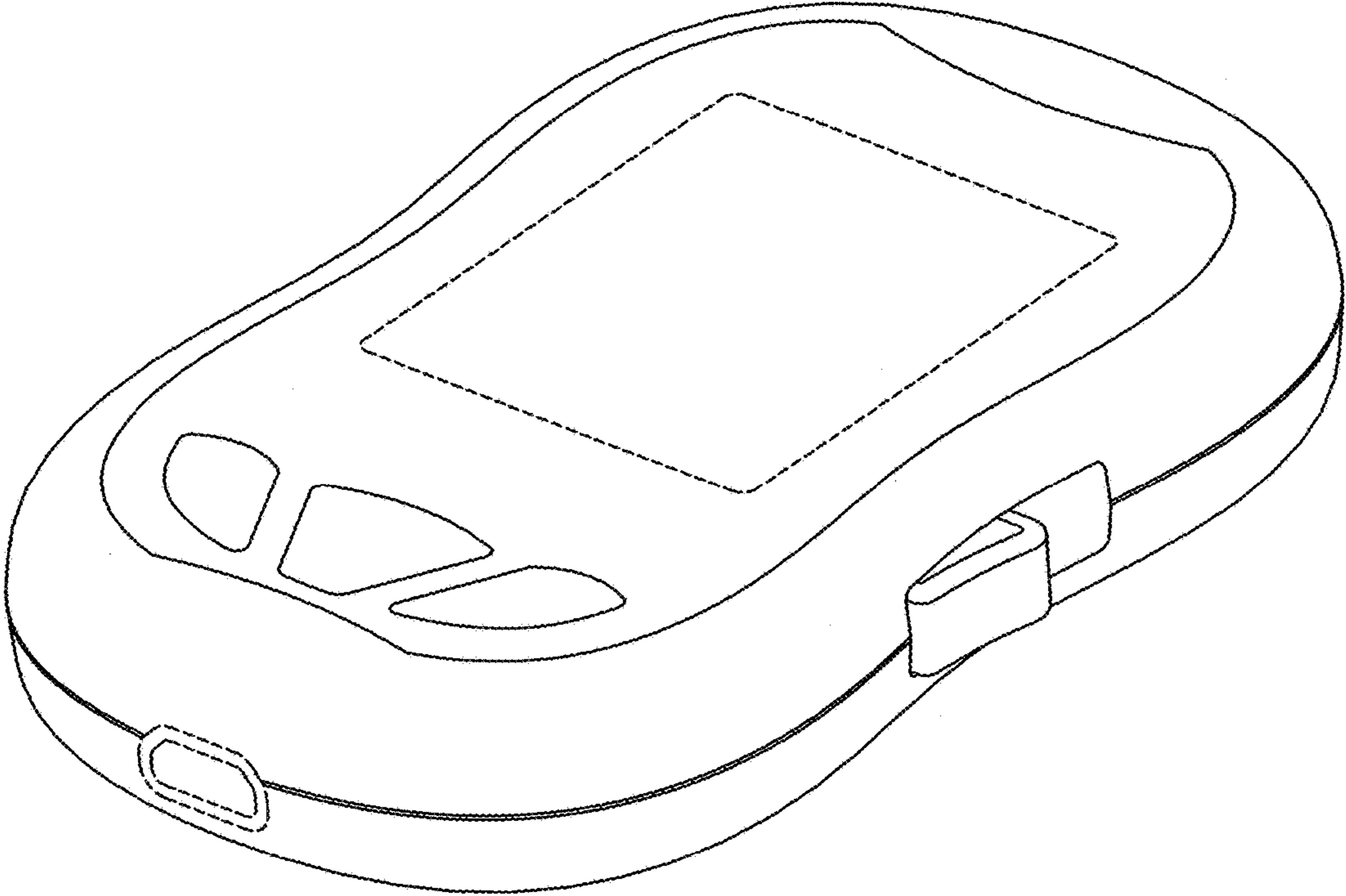


FIG.1

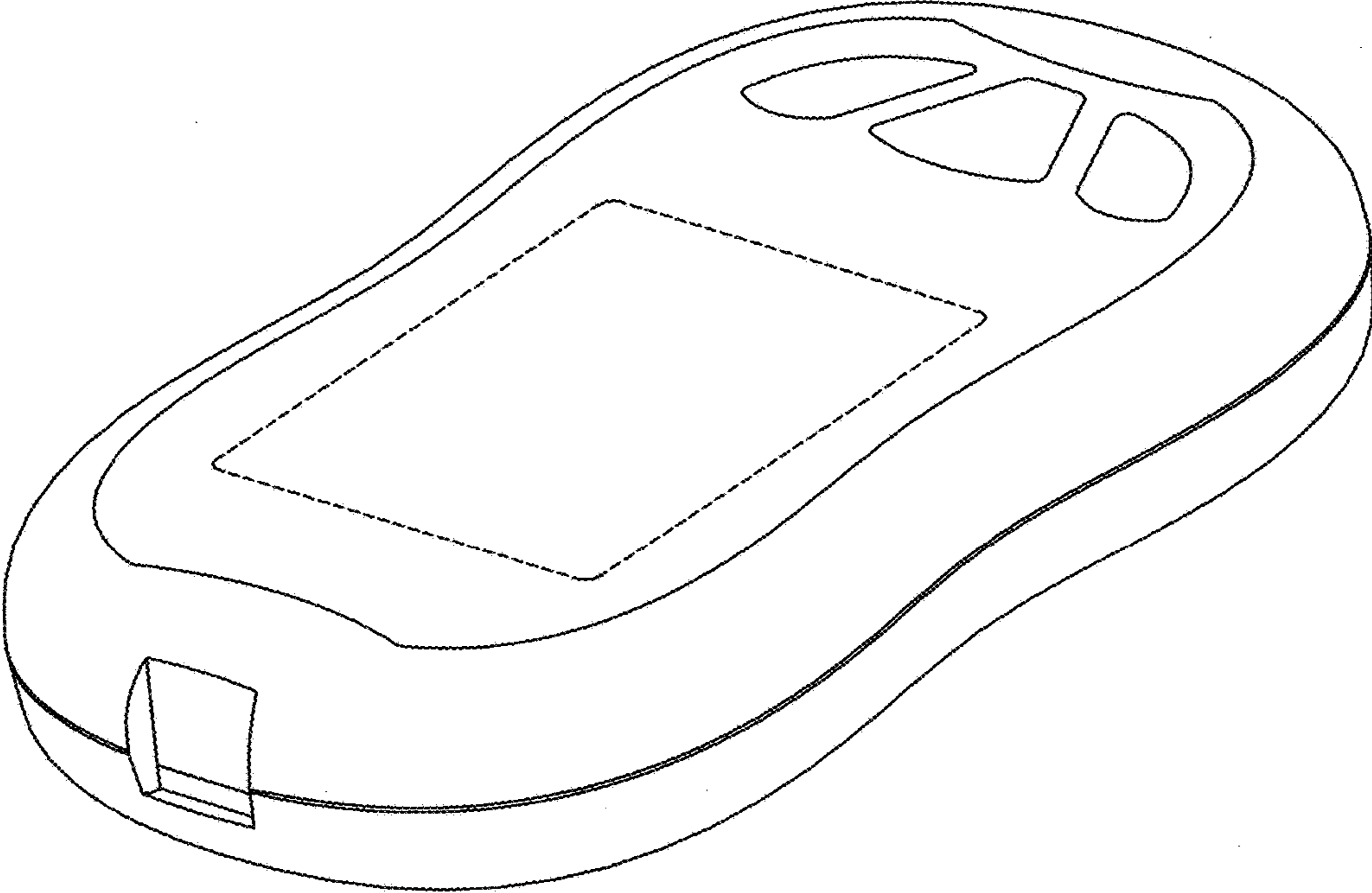


FIG.2

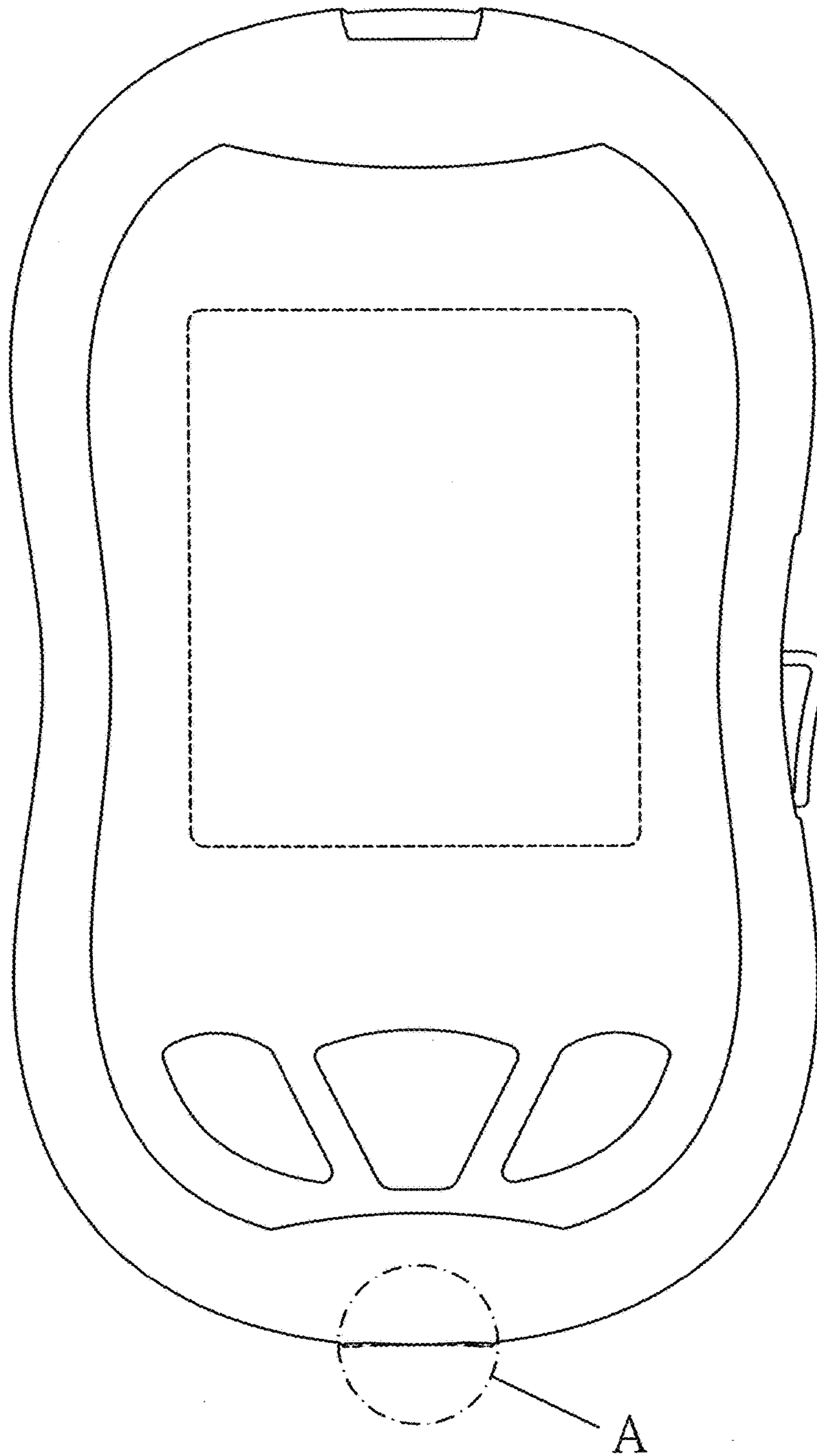


FIG.3

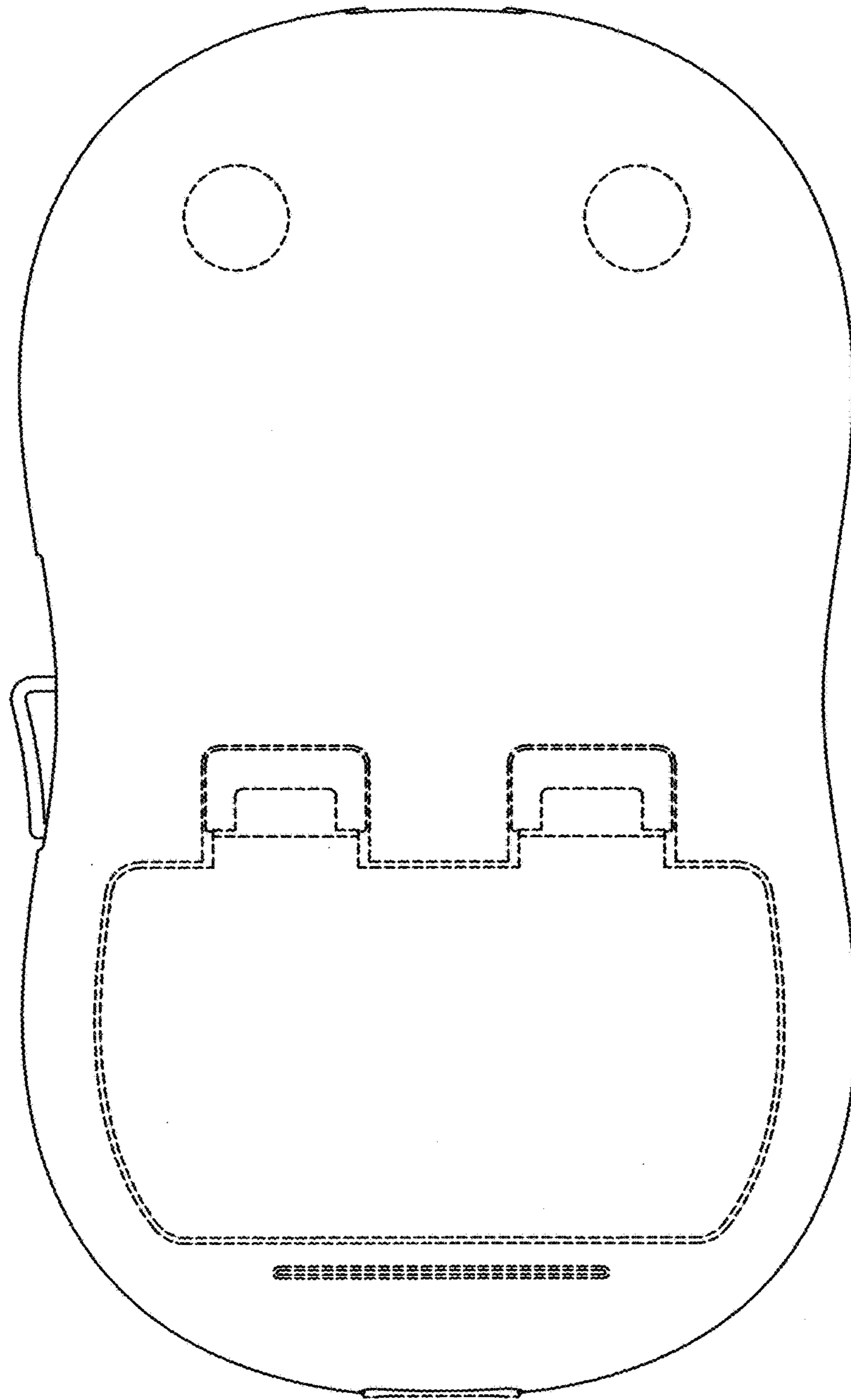


FIG.4

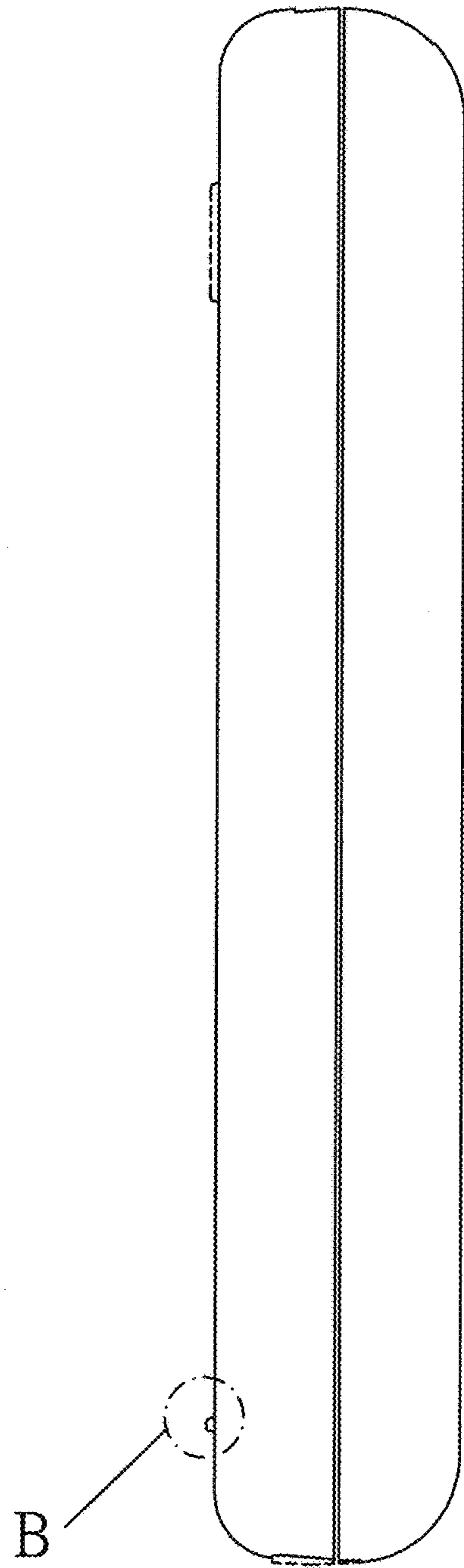


FIG. 5

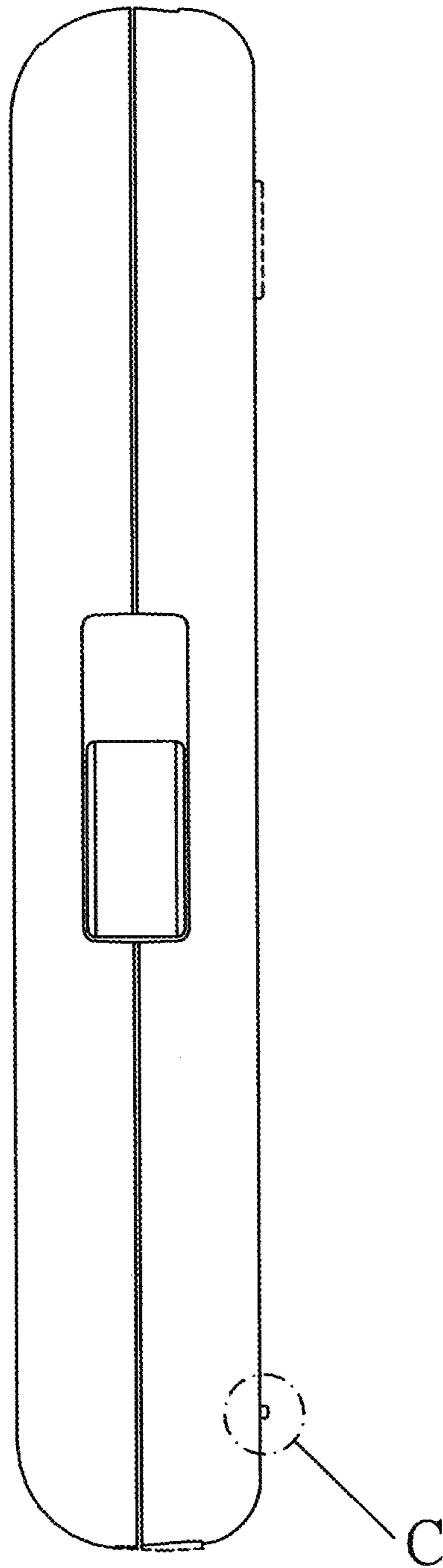


FIG.6



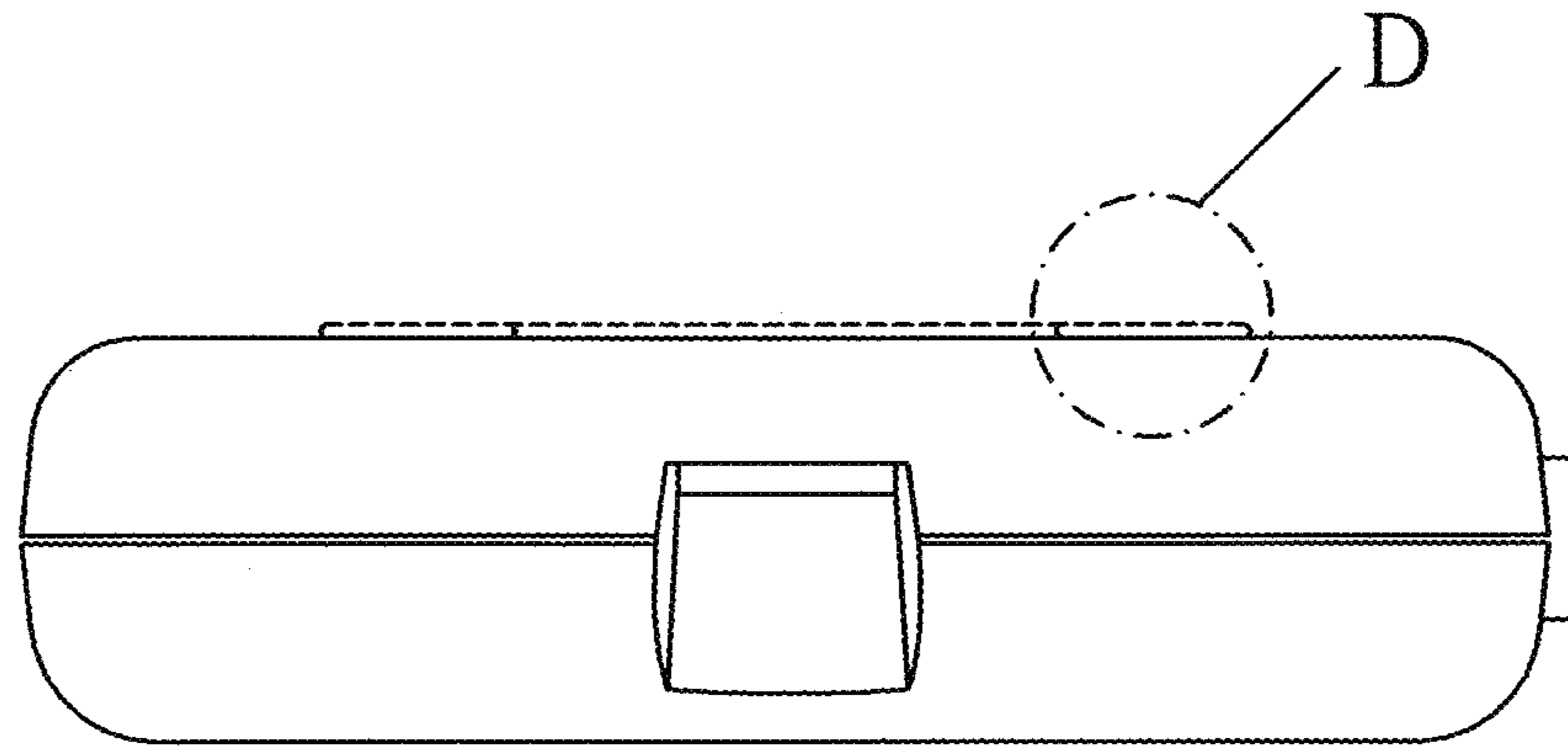


FIG. 7

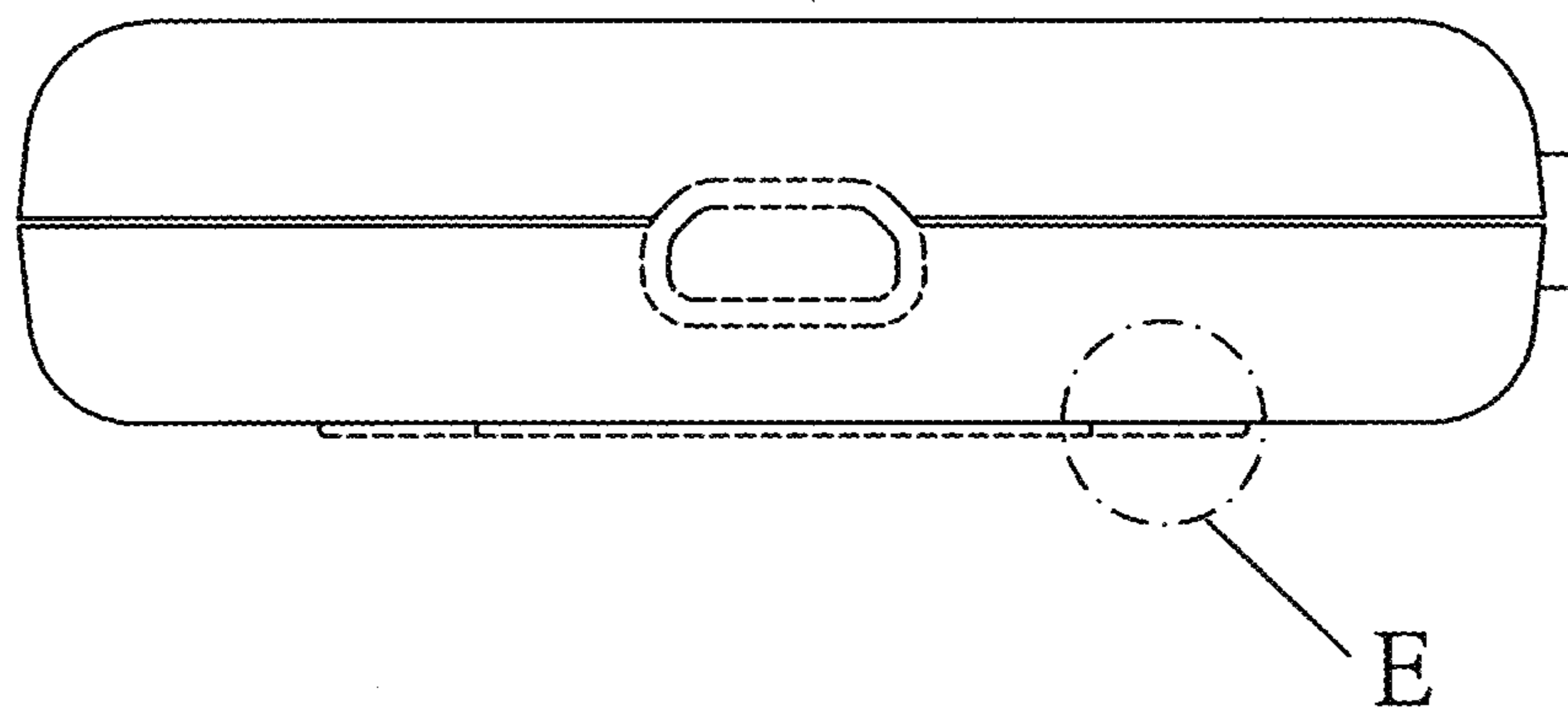


FIG. 8

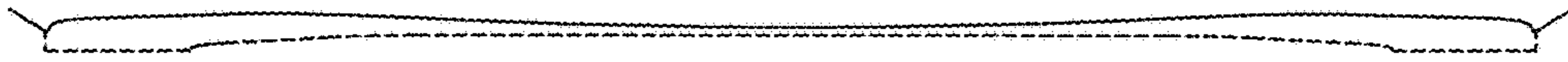


FIG. 9



FIG. 10



FIG. 11



FIG. 12

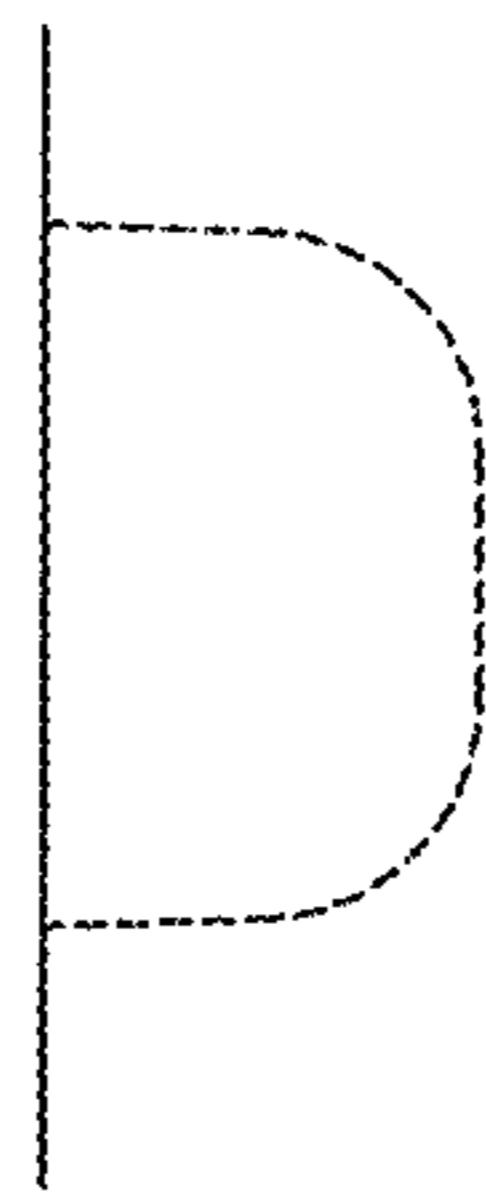


FIG. 13