



US00D790371S

(12) **United States Design Patent**  
**Zinkosky, II**

(10) **Patent No.:** **US D790,371 S**  
(45) **Date of Patent:** **\*\* Jun. 27, 2017**

- (54) **30-60-90 ANGLE SQUARE**
- (71) Applicant: **Stan Edward Zinkosky, II**, Alta Loma, CA (US)
- (72) Inventor: **Stan Edward Zinkosky, II**, Alta Loma, CA (US)
- (\*\*) Term: **15 Years**
- (21) Appl. No.: **29/561,648**
- (22) Filed: **Apr. 18, 2016**

(74) *Attorney, Agent, or Firm* — E J Asbury III, LLC

**Related U.S. Application Data**

- (63) Continuation of application No. 29/517,335, filed on Feb. 11, 2015, now Pat. No. Des. 760,569.
- (51) **LOC (10) Cl.** ..... **10-04**
- (52) **U.S. Cl.**  
USPC ..... **D10/65**
- (58) **Field of Classification Search**  
USPC ..... D10/65  
CPC ..... B43L 7/0275; G01B 3/566  
See application file for complete search history.

(57) **CLAIM**

The ornamental design for a 30-60-90 angle square, as shown and described.

**DESCRIPTION**

FIG. 1 is a front, left, and top perspective view of a 1<sup>st</sup> embodiment of the 30-60-90 angle square;  
 FIG. 2 is a back, left, and top perspective view thereof;  
 FIG. 3 is a front view thereof;  
 FIG. 4 is a back view thereof;  
 FIG. 5 is a right side view thereof;  
 FIG. 6 is a left side view thereof;  
 FIG. 7 is a top view thereof;  
 FIG. 8 is a bottom view thereof;  
 FIG. 9 is a front, left, and top perspective view of a 2<sup>nd</sup> embodiment of the 30-60-90 angle square, the 30-60-90 angle square of the 2<sup>nd</sup> embodiment of FIGS. 9-16 is the mirror image of the design of the 1st embodiment depicted in FIGS. 1-8;  
 FIG. 10 is a back, left, and top perspective view of the 2<sup>nd</sup> embodiment thereof;  
 FIG. 11 is a front view of the 2nd embodiment thereof;  
 FIG. 12 is a back view of the 2nd embodiment thereof;  
 FIG. 13 is a right side view of the 2nd embodiment thereof;  
 FIG. 14 is a left side view of the 2nd embodiment thereof;  
 FIG. 15 is a top view of the 2nd embodiment thereof; and,  
 FIG. 16 is a bottom view of the 2nd embodiment thereof.  
 The broken lines shown in FIGS. 1-16 illustrate features of the 30-60-90 angle square that form no part of the claimed design.

(56) **References Cited**

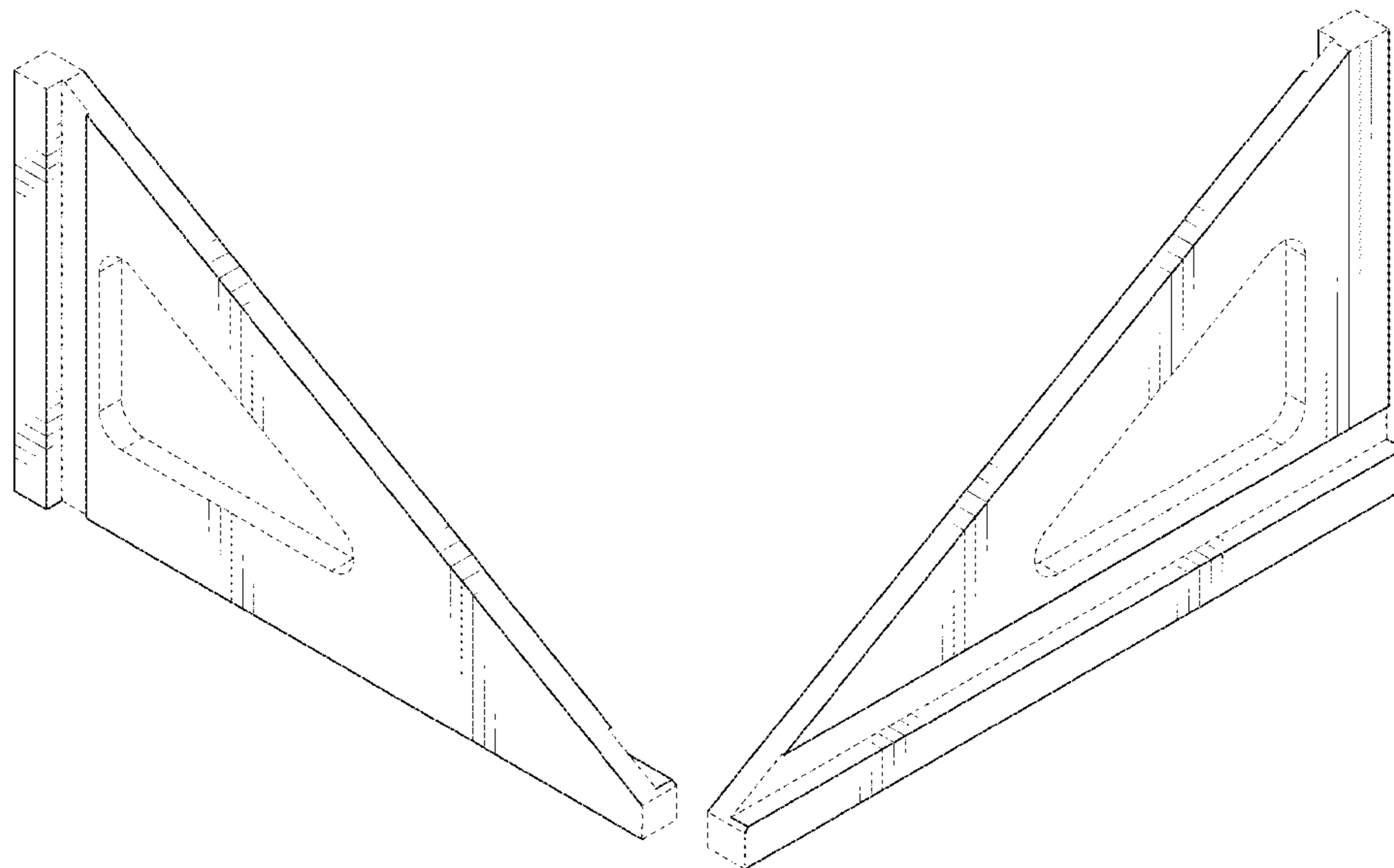
**U.S. PATENT DOCUMENTS**

- 714,074 A \* 11/1902 Morrell ..... F04D 19/022  
415/151
- 718,618 A \* 1/1903 Gerber ..... G01B 3/566  
33/429
- 768,324 A \* 8/1904 Breul ..... G01B 3/566  
33/429
- D462,282 S \* 9/2002 Salvagno ..... D10/65
- 7,114,264 B1 \* 10/2006 Hurley ..... B25H 7/00  
33/423
- 8,276,285 B1 \* 10/2012 Bennett ..... B43L 1/00  
33/429

\* cited by examiner

*Primary Examiner* — Antoine D Davis

**1 Claim, 8 Drawing Sheets**



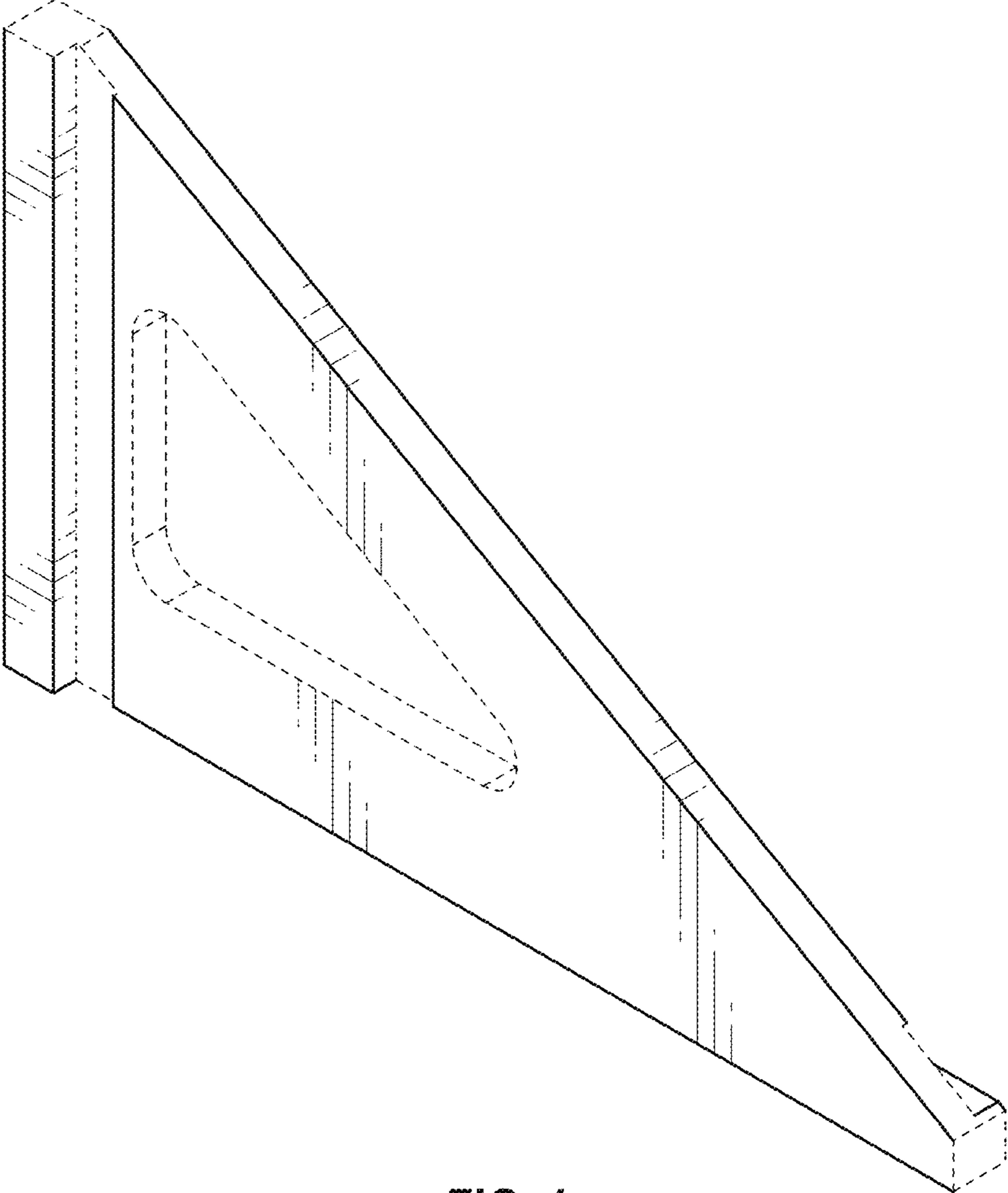


FIG. 1

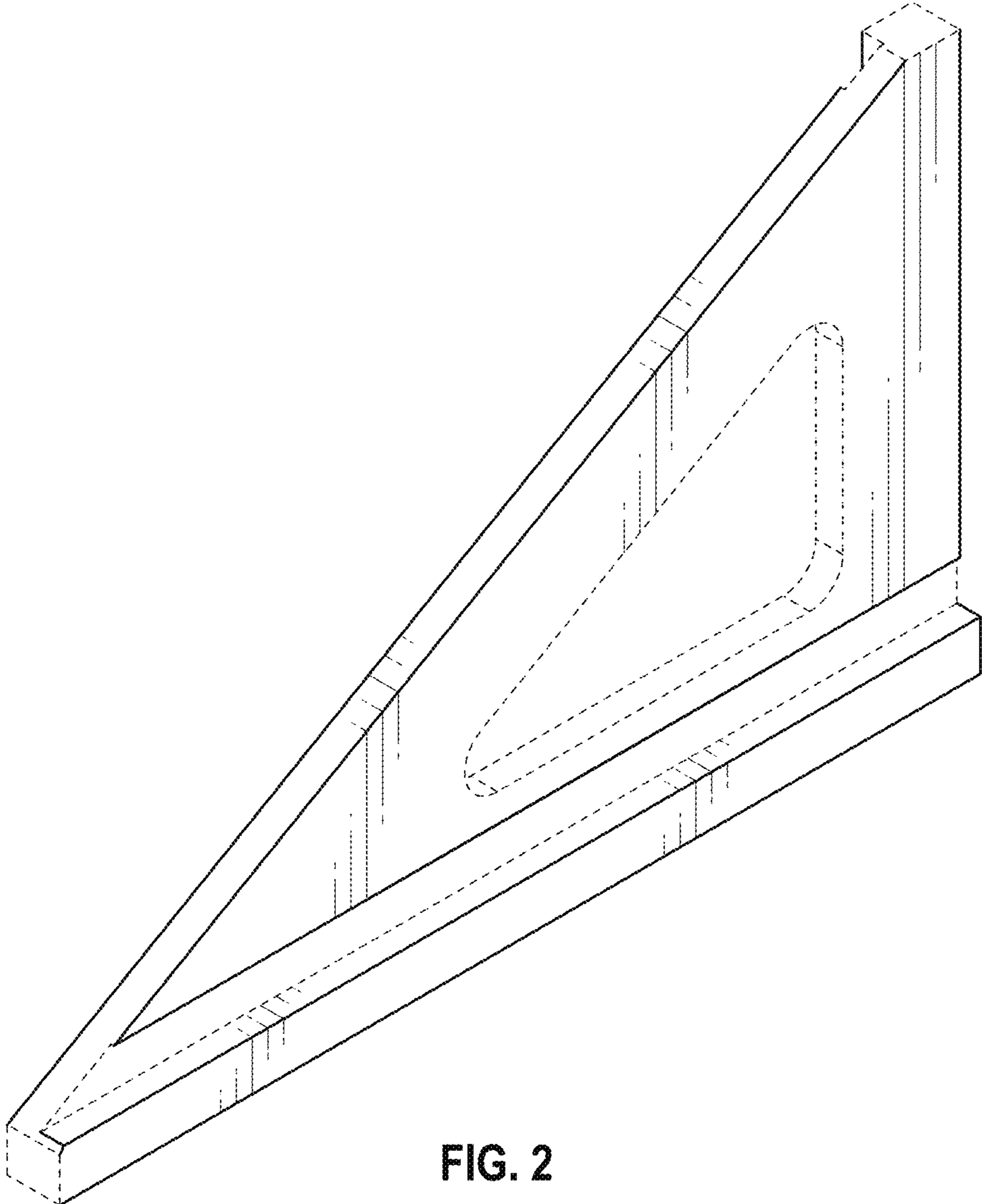


FIG. 2

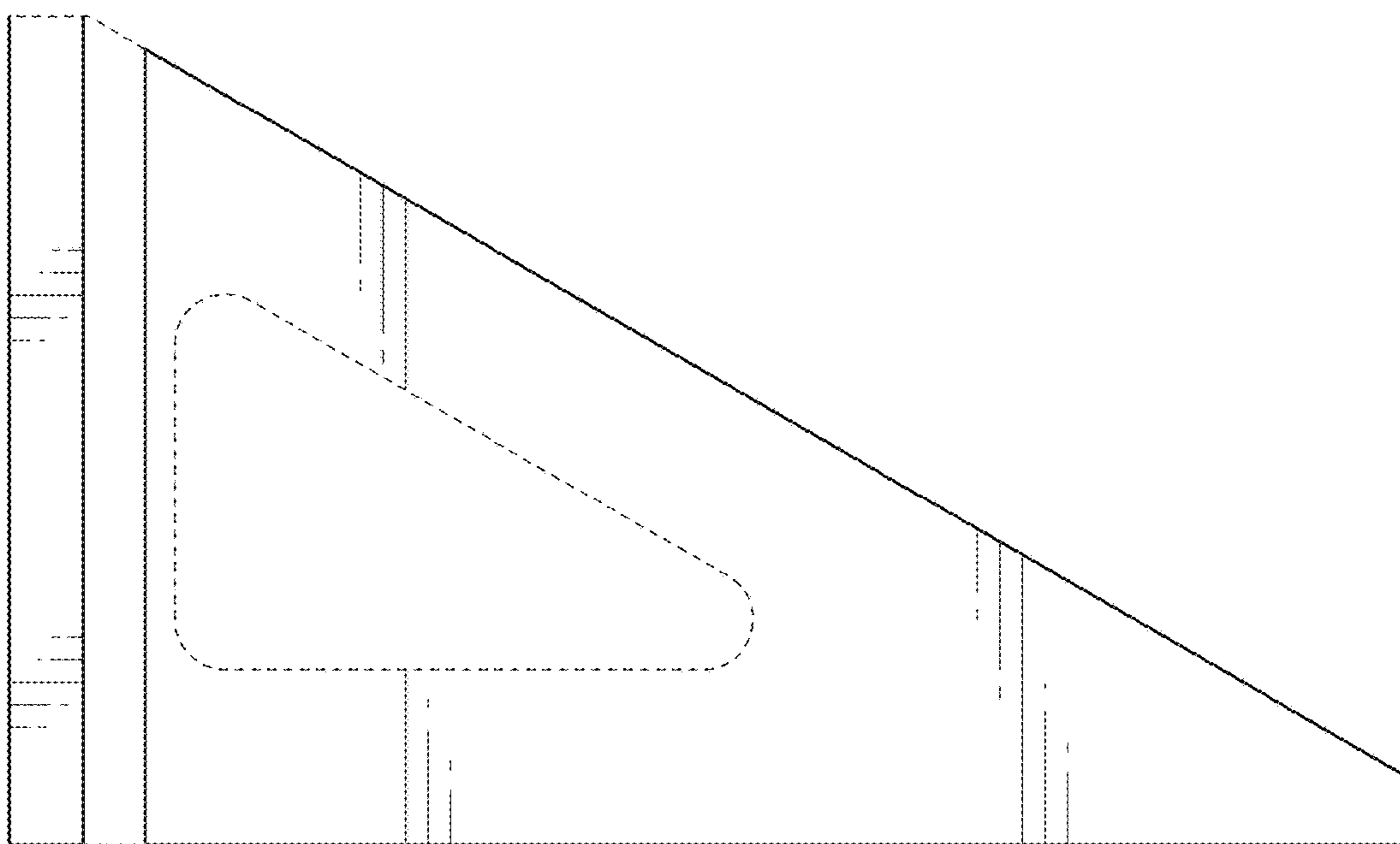


FIG. 3

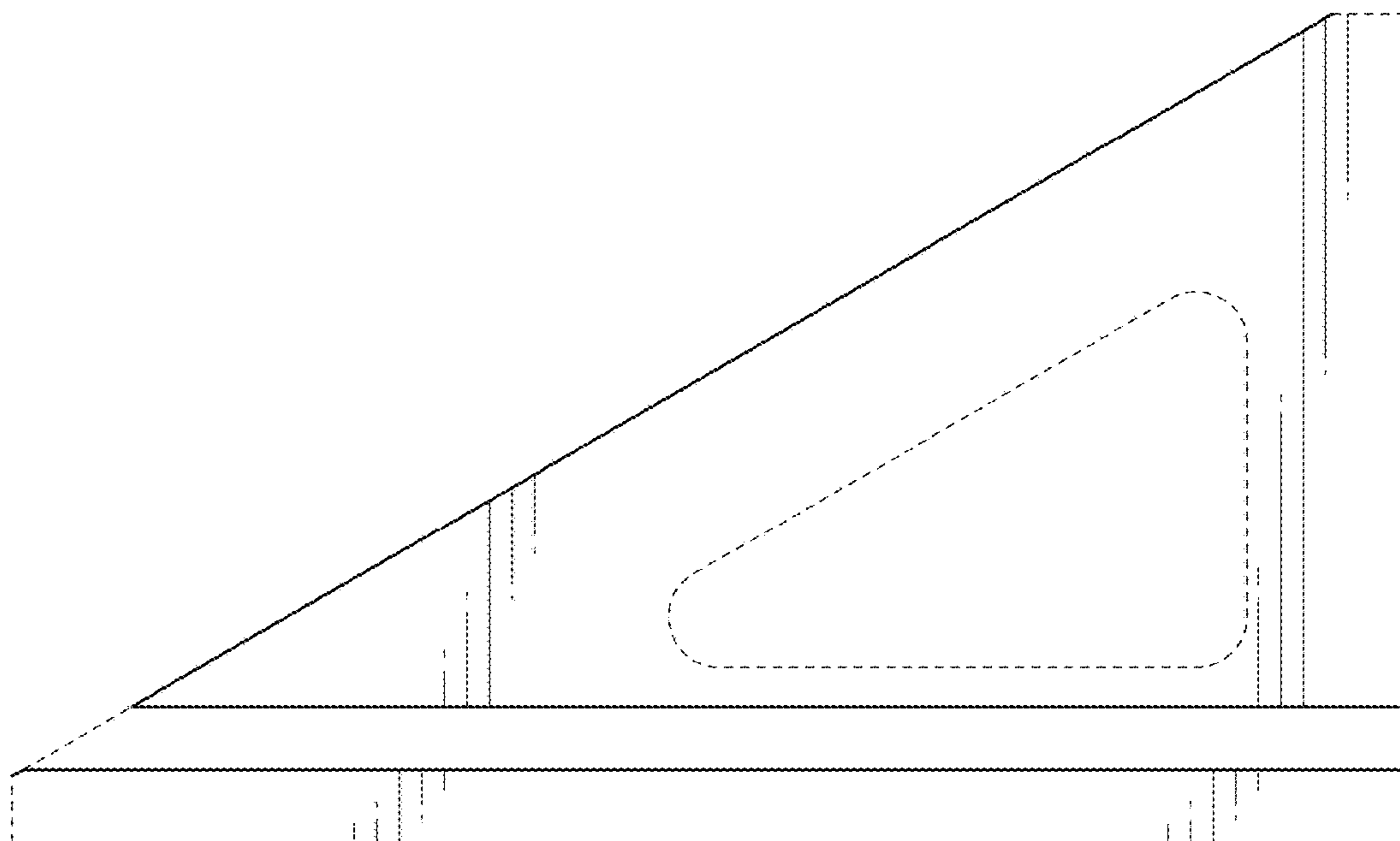


FIG. 4

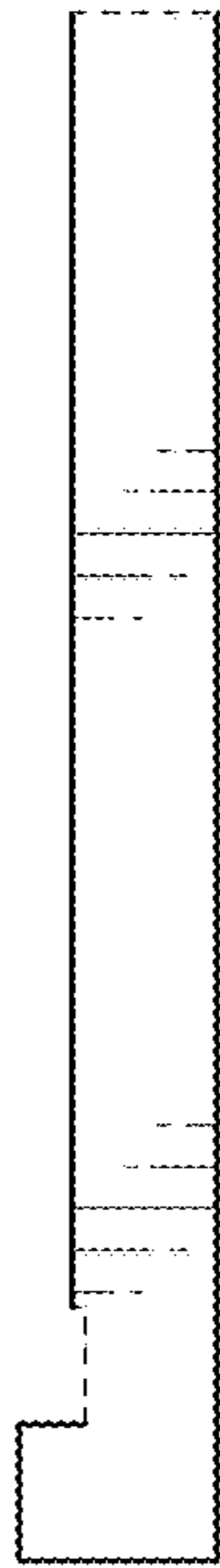


FIG. 5

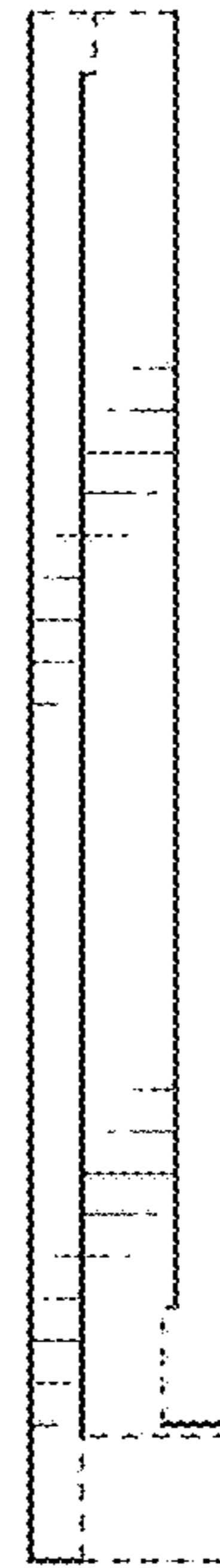


FIG. 6

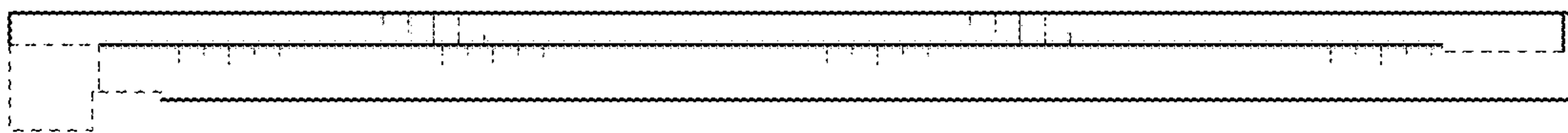


FIG. 7



FIG. 8

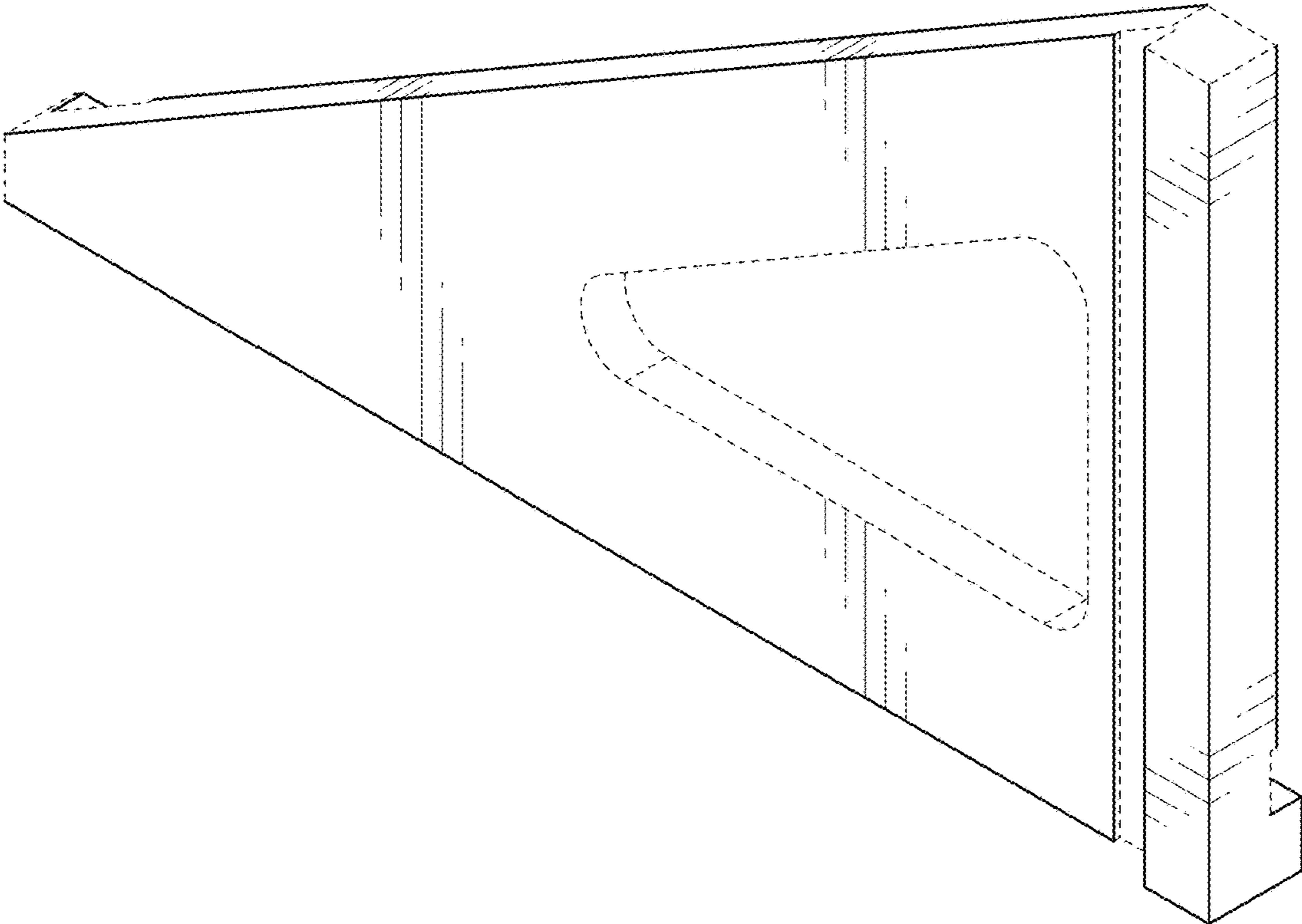


FIG. 9

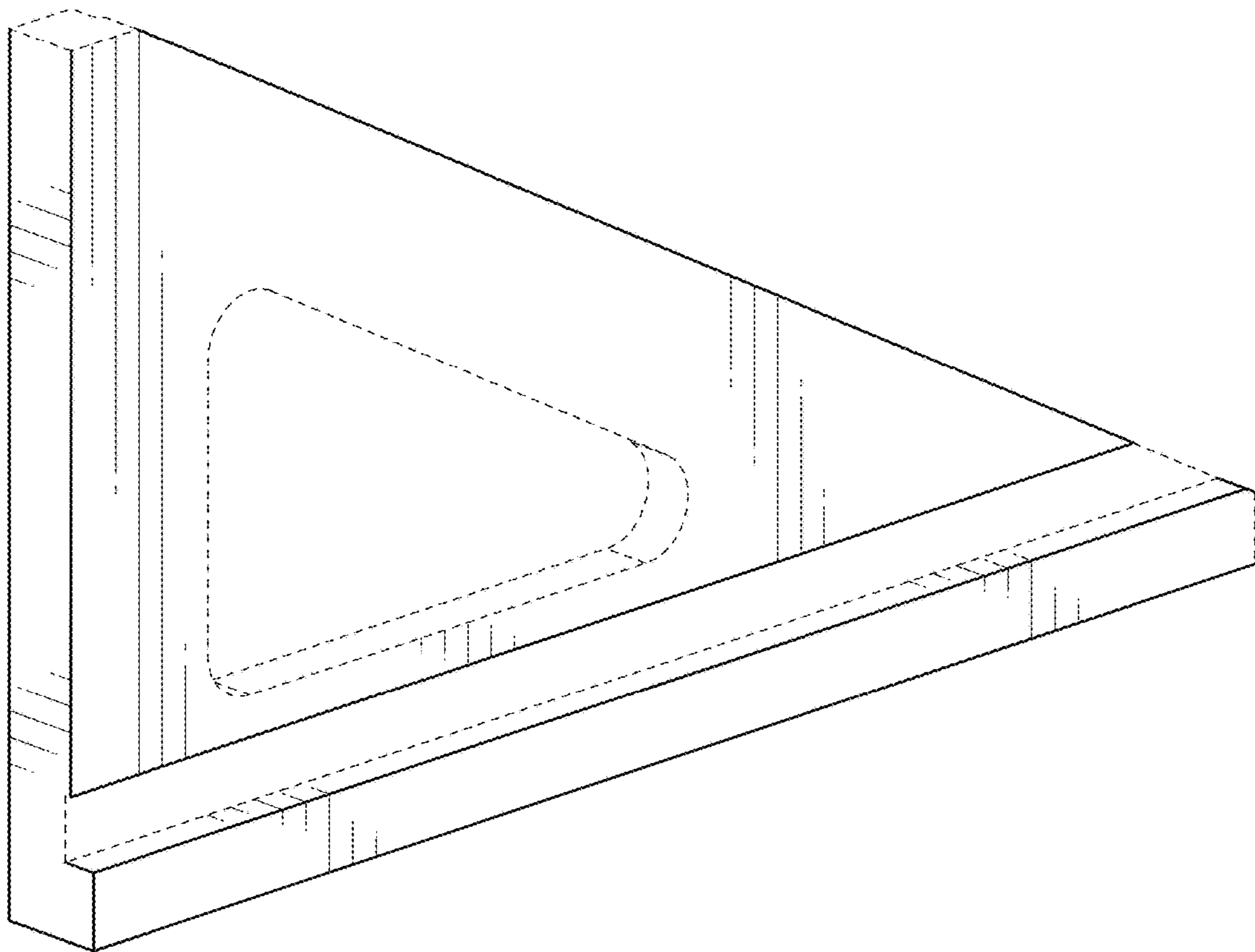


FIG. 10

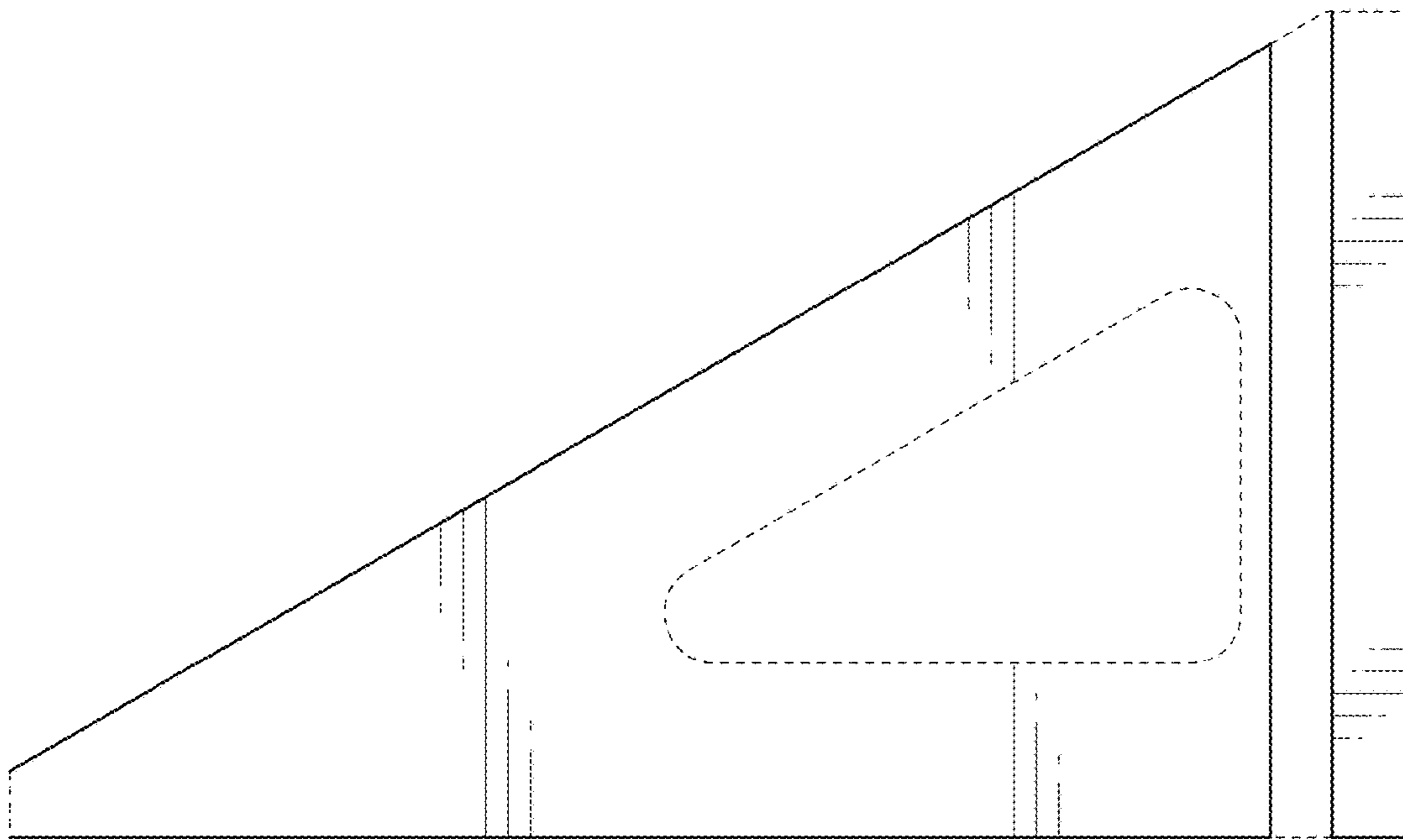


FIG. 11

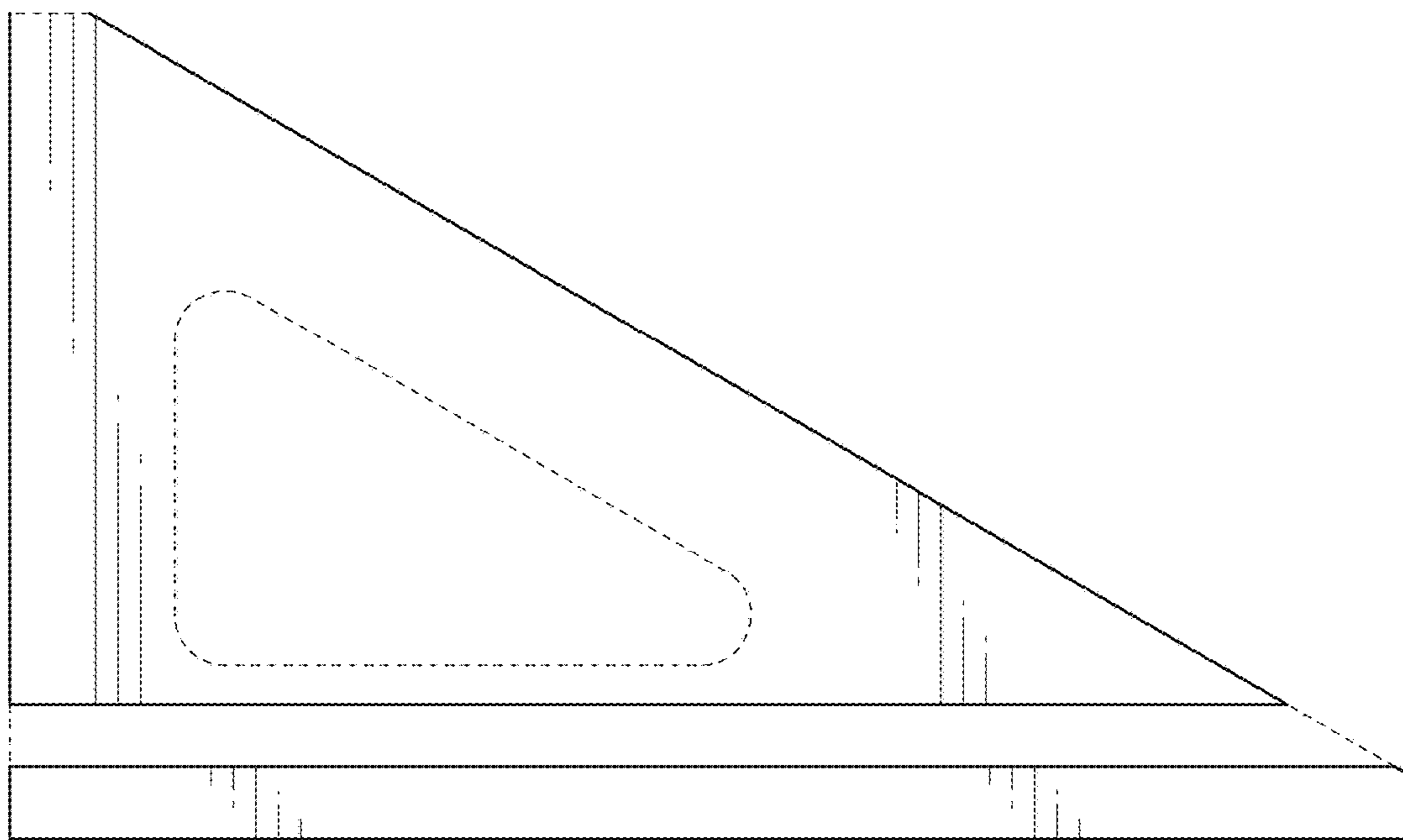


FIG. 12



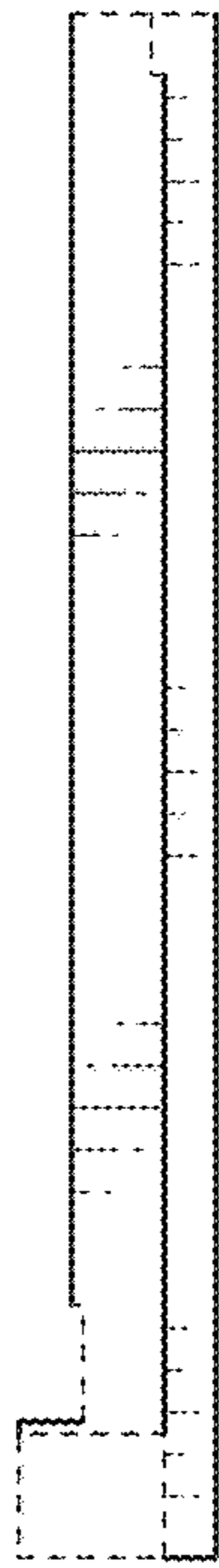


FIG. 13



FIG. 14

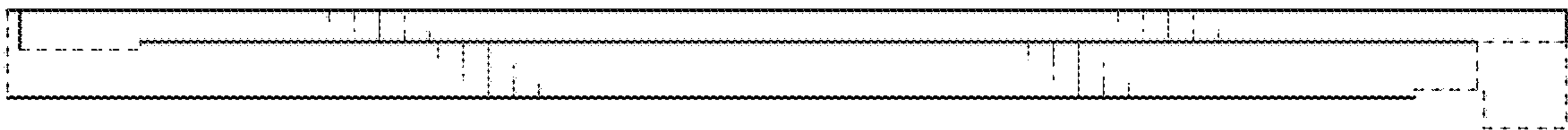


FIG. 15



FIG. 16