



US00D790370S

(12) **United States Design Patent**
Zinkosky, II

(10) **Patent No.:** **US D790,370 S**
(45) **Date of Patent:** **** Jun. 27, 2017**

(54) **45-45-90 ANGLE SQUARE**

8,276,285 B1 * 10/2012 Bennett B43L 1/00
33/429

(71) Applicant: **Stan Edward Zinkosky, II**, Alta Loma,
CA (US)

* cited by examiner

(72) Inventor: **Stan Edward Zinkosky, II**, Alta Loma,
CA (US)

Primary Examiner — Antoine D Davis

(74) *Attorney, Agent, or Firm* — E J Asbury III, LLC

(**) Term: **15 Years**

(57) **CLAIM**

The ornamental design for a 45-45-90 angle square, as shown and described.

(21) Appl. No.: **29/561,647**

DESCRIPTION

(22) Filed: **Apr. 18, 2016**

Related U.S. Application Data

(63) Continuation of application No. 29/517,334, filed on
Feb. 11, 2015, now Pat. No. Des. 757,573.

(51) **LOC (10) Cl.** **10-04**

(52) **U.S. Cl.**
USPC **D10/65**

(58) **Field of Classification Search**
USPC D10/65
CPC B43L 7/0275; G01B 3/566
See application file for complete search history.

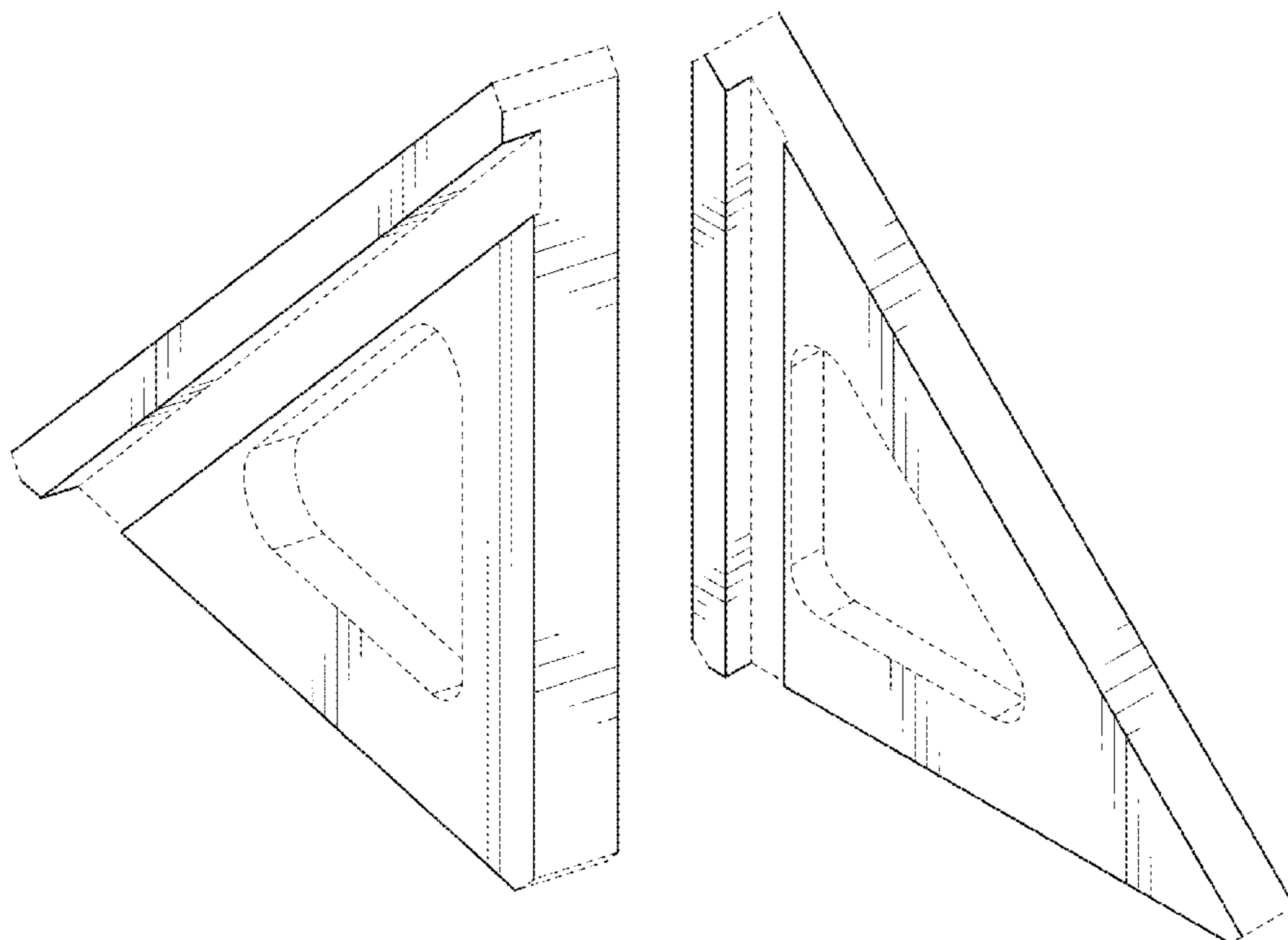
FIG. 1 is a front, left, and top perspective view of a 1st embodiment of the 45-45-90 angle square;
FIG. 2 is a back, right, and top perspective view thereof;
FIG. 3 is a front view thereof;
FIG. 4 is a back view thereof;
FIG. 5 is a right side view thereof;
FIG. 6 is a left side view thereof;
FIG. 7 is a top view thereof;
FIG. 8 is a bottom view thereof;
FIG. 9 is a front, left, and top perspective view of a 2nd embodiment of the 45-45-90 angle square, the 45-45-90 angle square of the 2nd embodiment of FIGS. 9-16 is the mirror image of the design of the 1st embodiment depicted in FIGS. 1-8;
FIG. 10 is a back, left, and top perspective view of the 2nd embodiment thereof;
FIG. 11 is a front view of the 2nd embodiment thereof;
FIG. 12 is a back view of the 2nd embodiment thereof;
FIG. 13 is a right side view of the 2nd embodiment thereof;
FIG. 14 is a left side view of the 2nd embodiment thereof;
FIG. 15 is a top view of the 2nd embodiment thereof; and,
FIG. 16 is a bottom view of the 2nd embodiment thereof.
The broken lines shown in FIGS. 1-16 illustrate features of the 45-45-90 angle square that form no part of the claimed design.

(56) **References Cited**

U.S. PATENT DOCUMENTS

- 714,074 A * 11/1902 Morrell F04D 19/022
415/151
- 718,618 A * 1/1903 Gerber G01B 3/566
33/429
- 768,324 A * 8/1904 Breul G01B 3/566
33/429
- D462,282 S * 9/2002 Salvagno D10/65
- 7,114,264 B1 * 10/2006 Hurley B25H 7/00
33/423

1 Claim, 8 Drawing Sheets



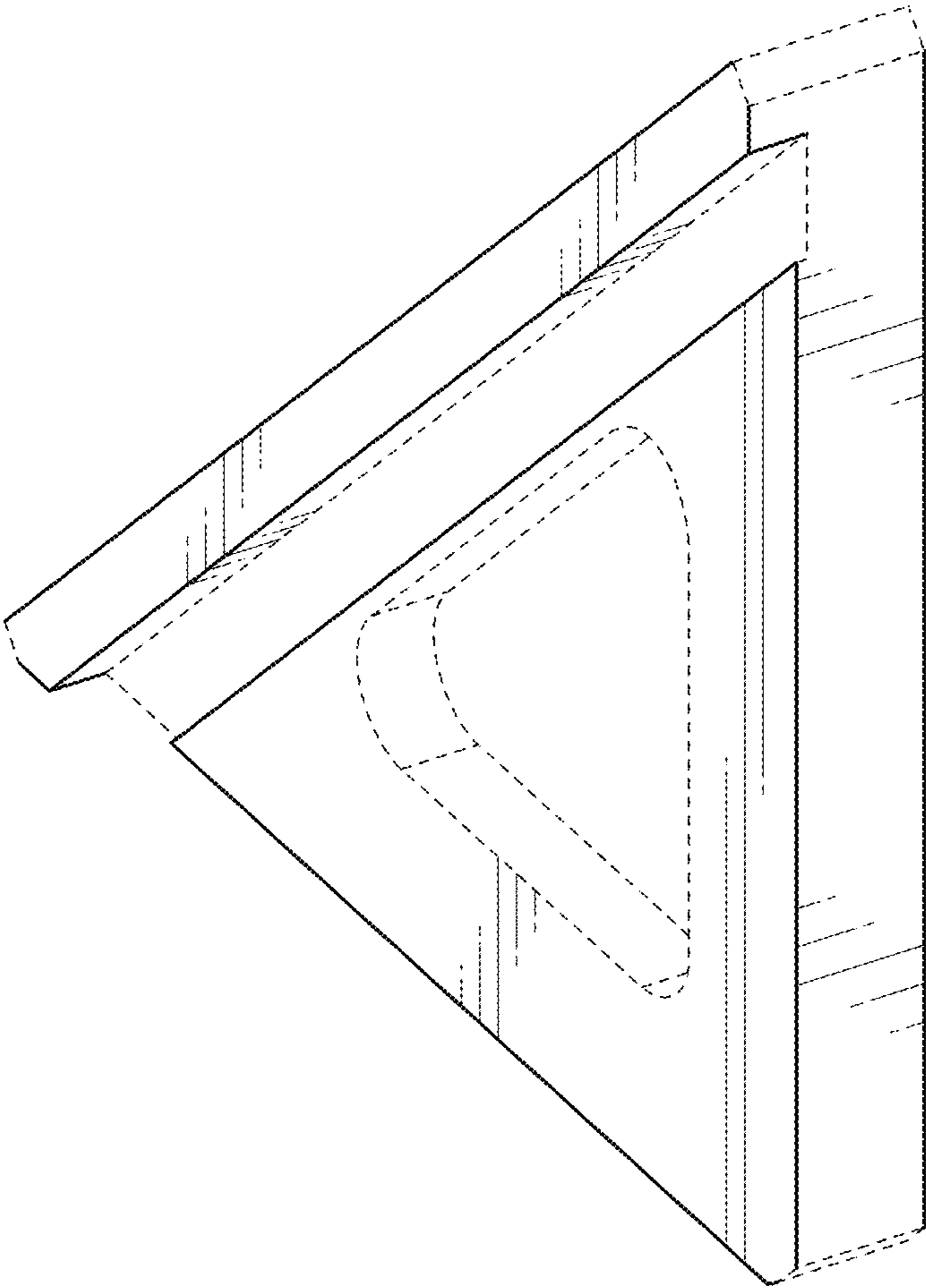


FIG. 1

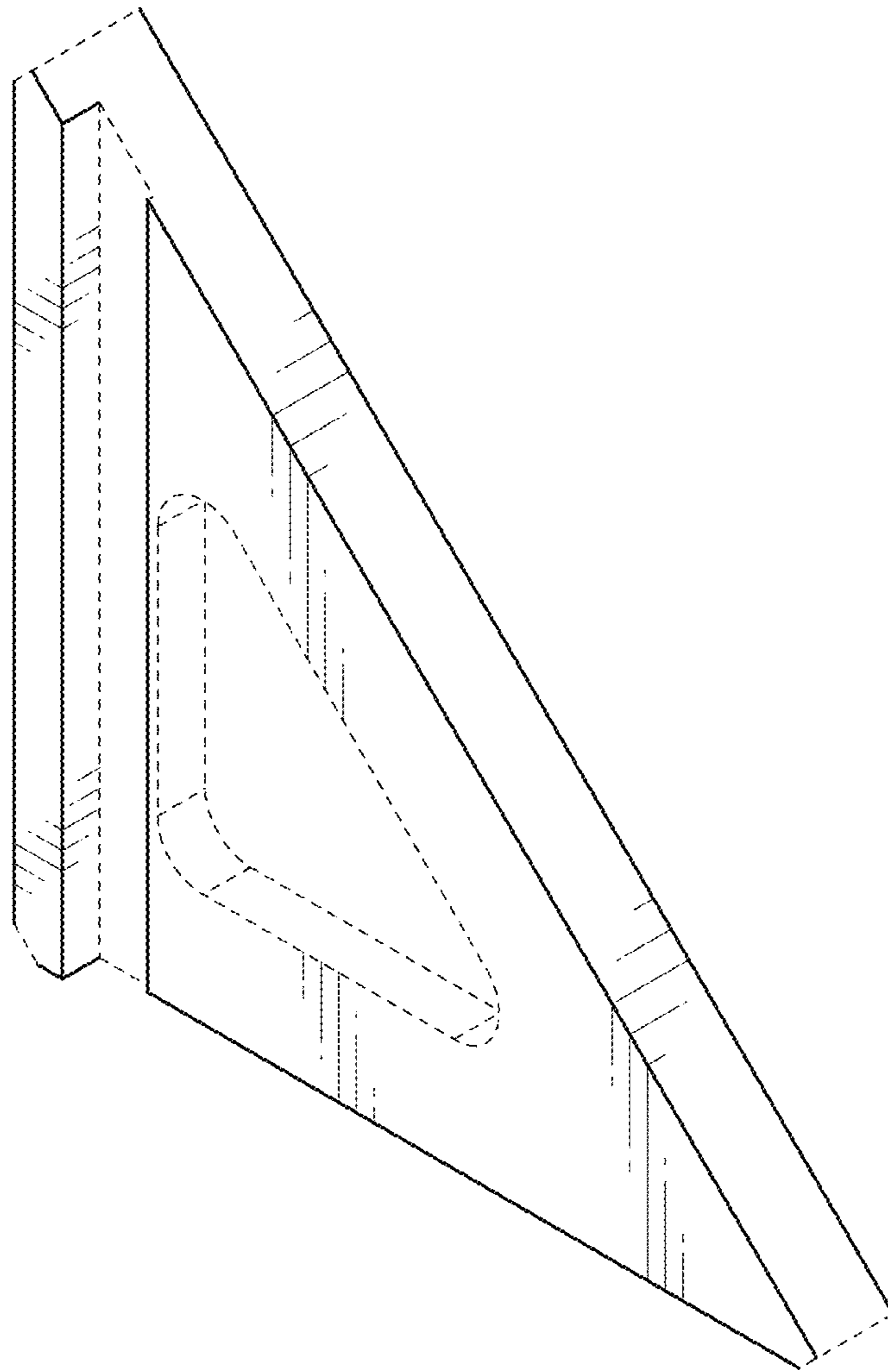


FIG. 2

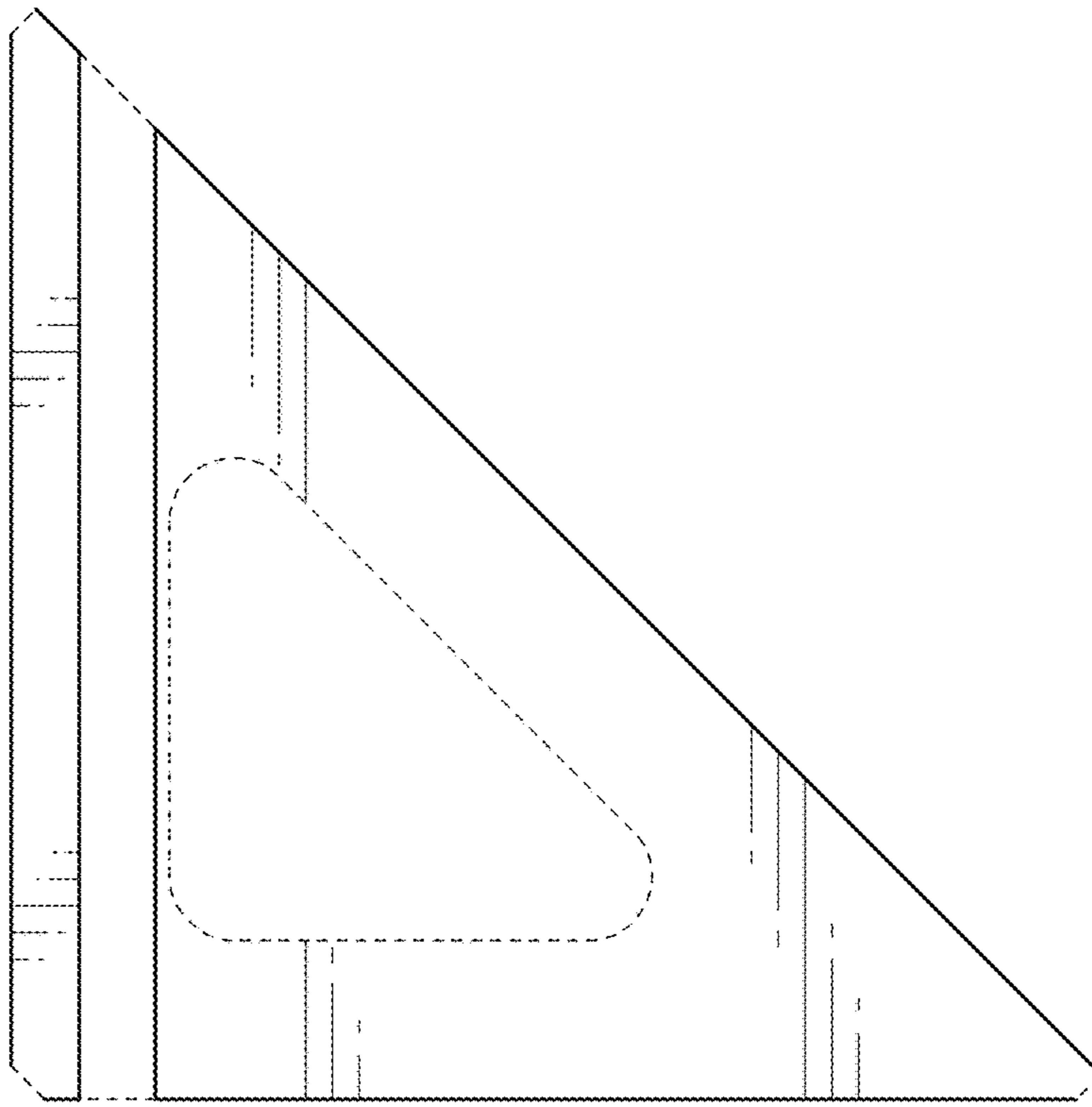


FIG. 3

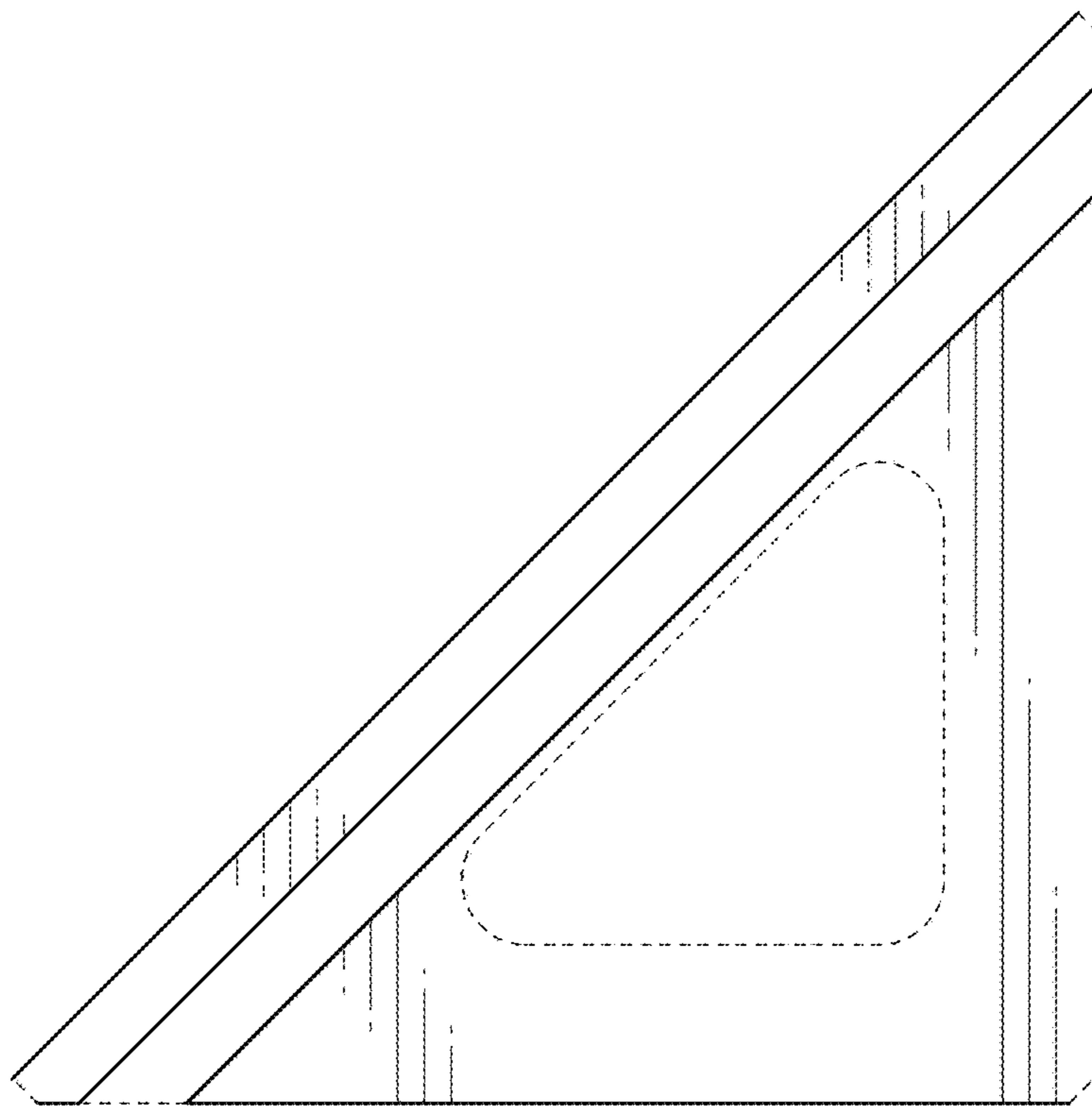


FIG. 4

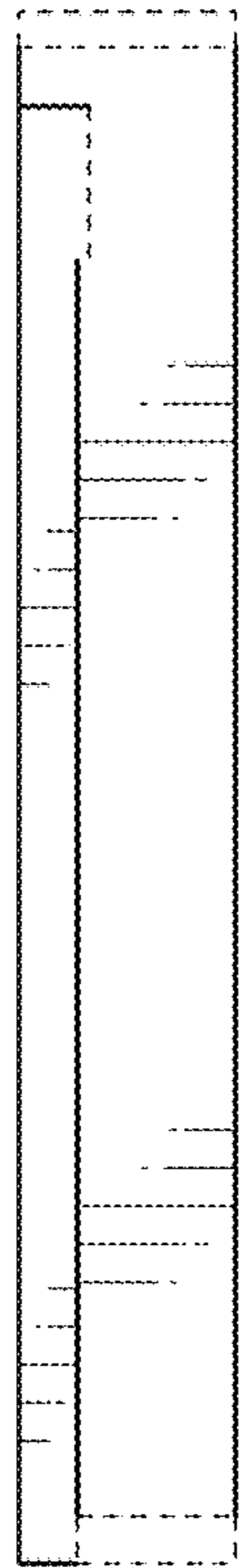


FIG. 5

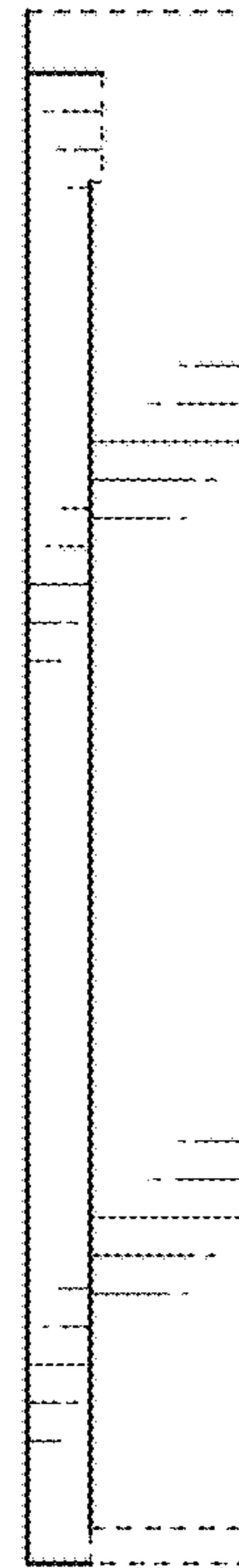


FIG. 6

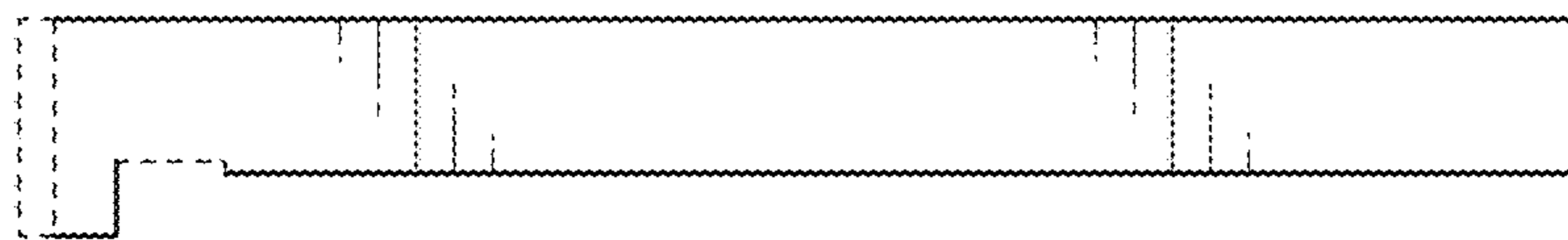


FIG. 7

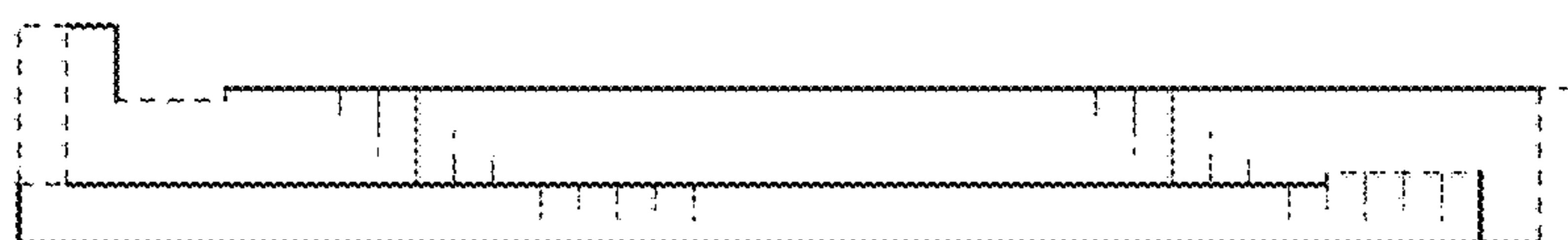


FIG. 8

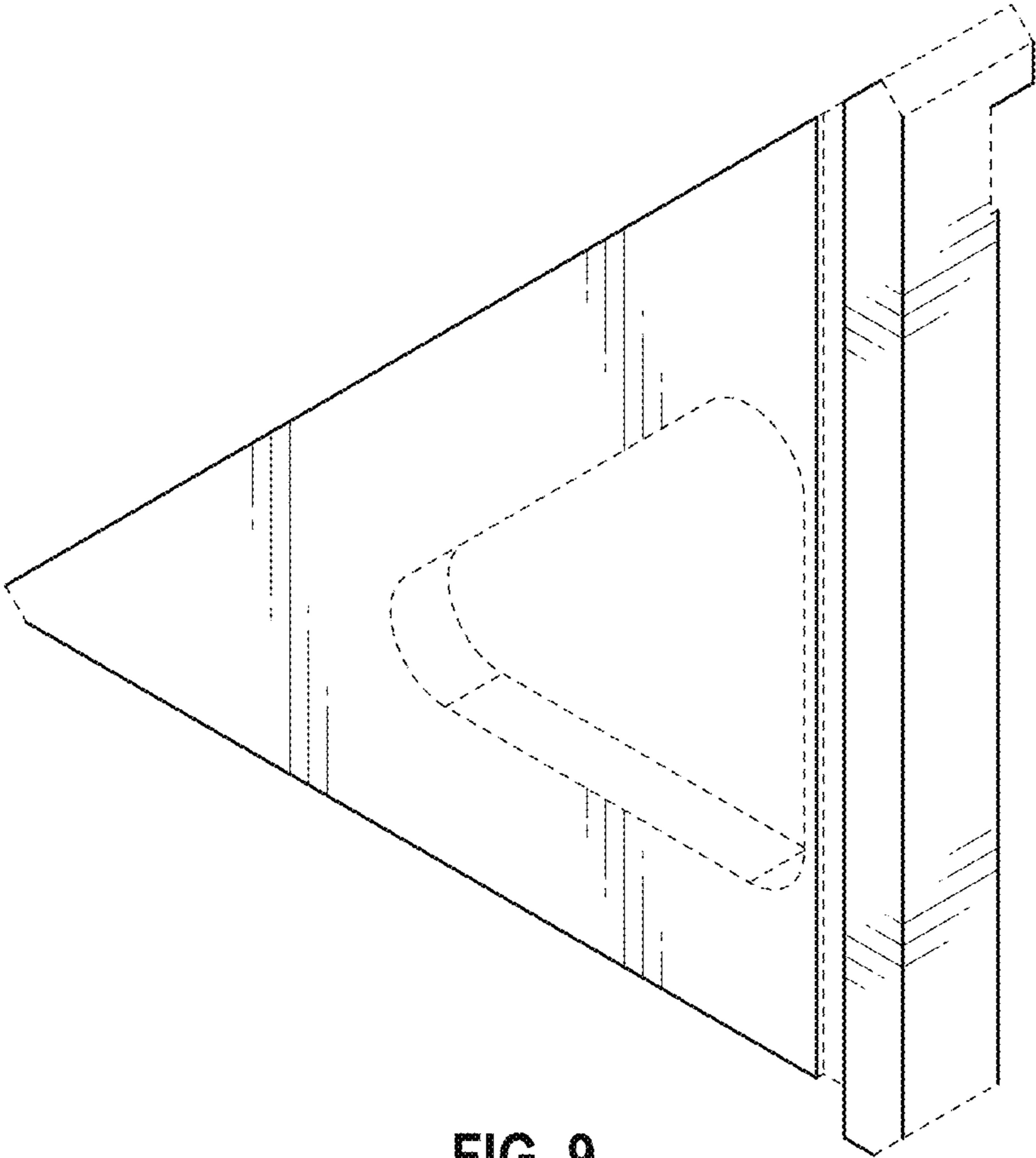


FIG. 9

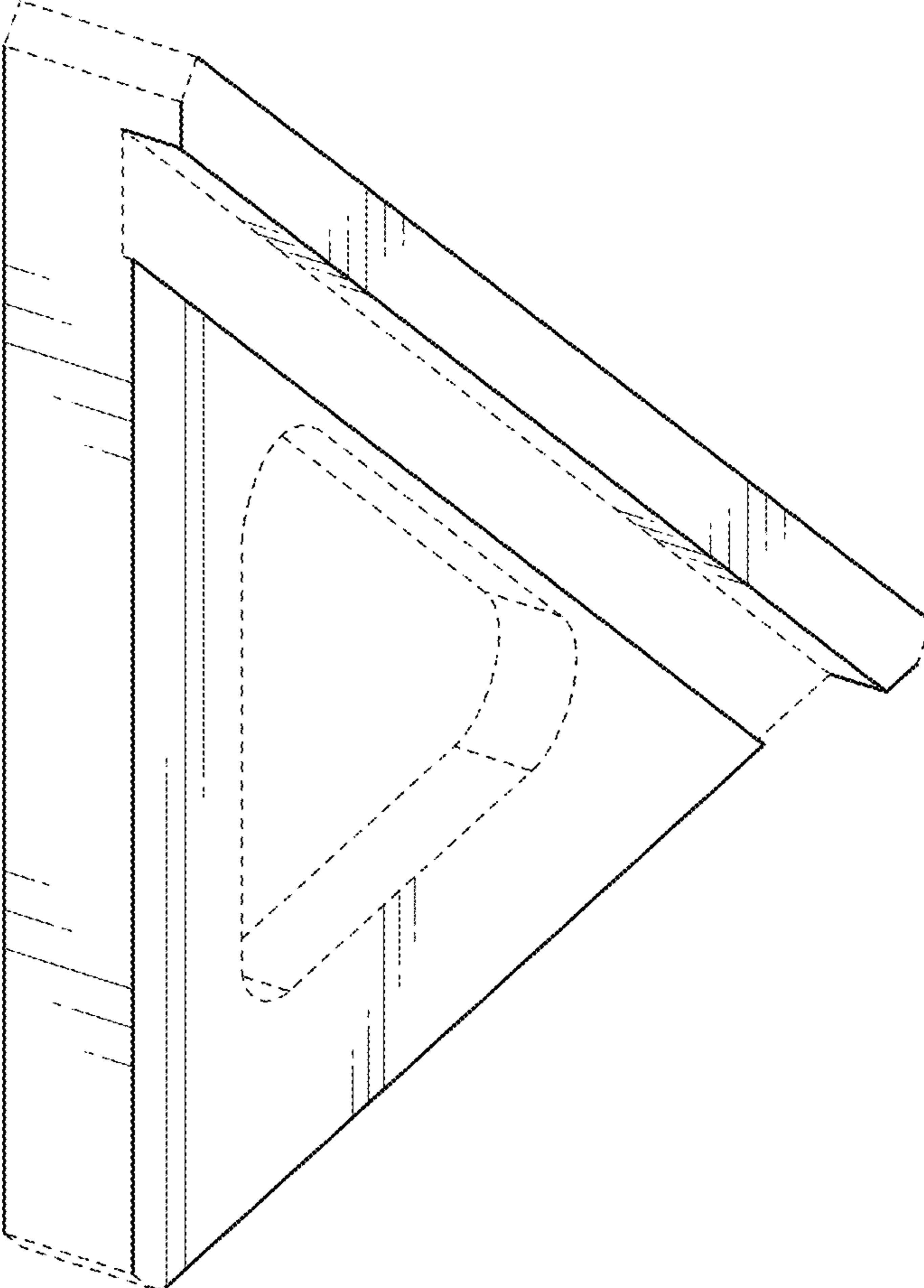


FIG. 10

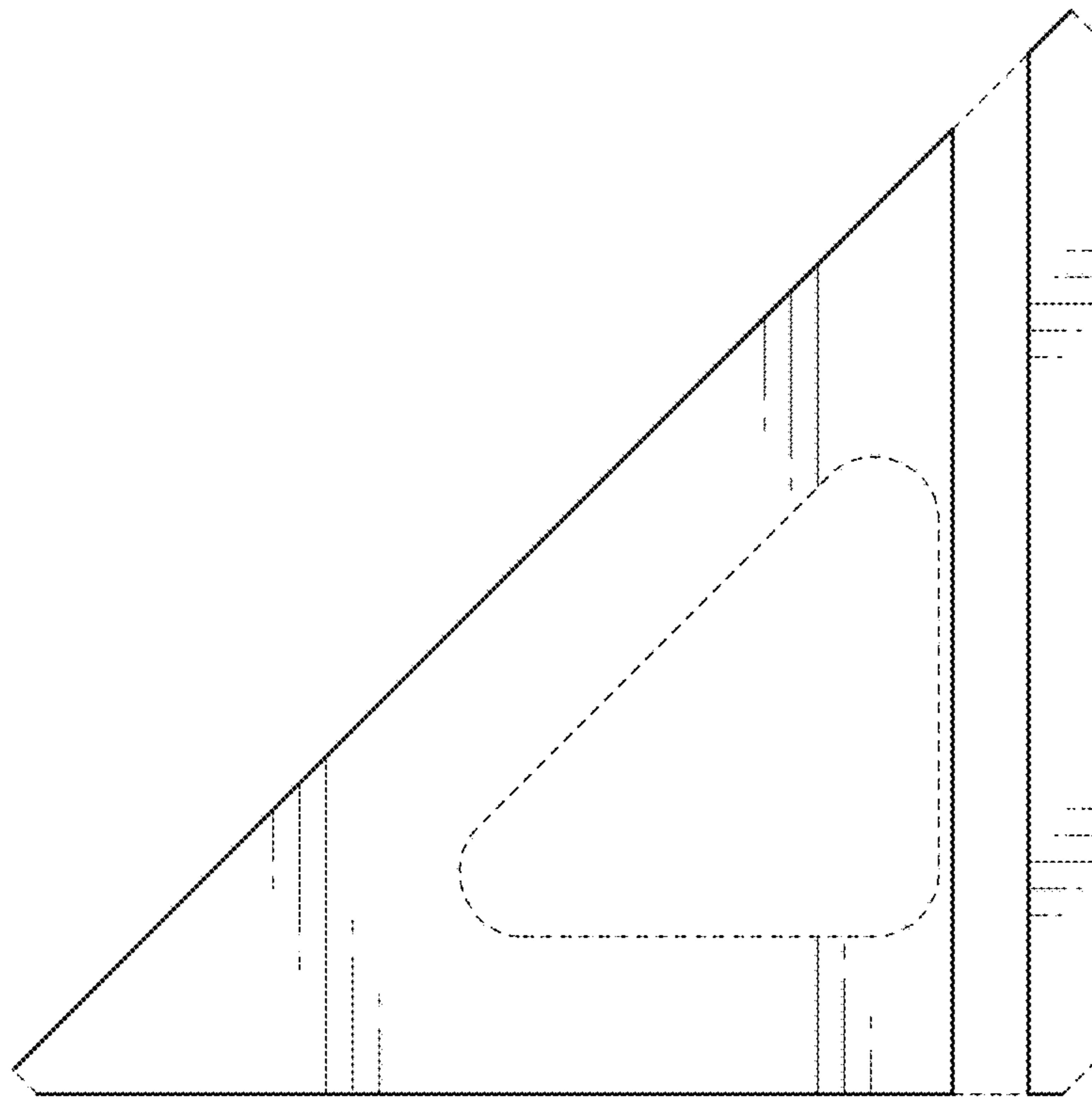


FIG. 11

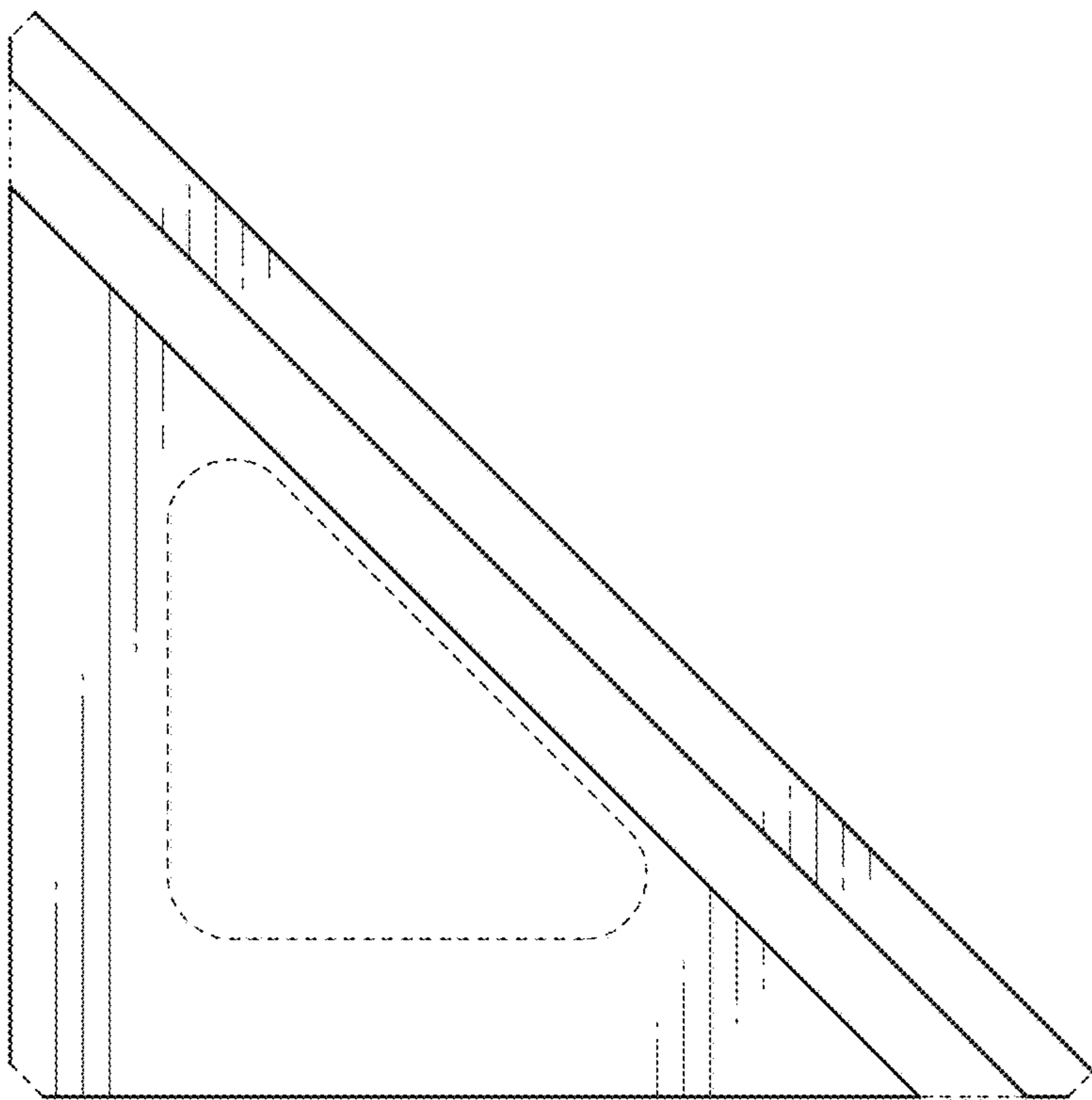


FIG. 12

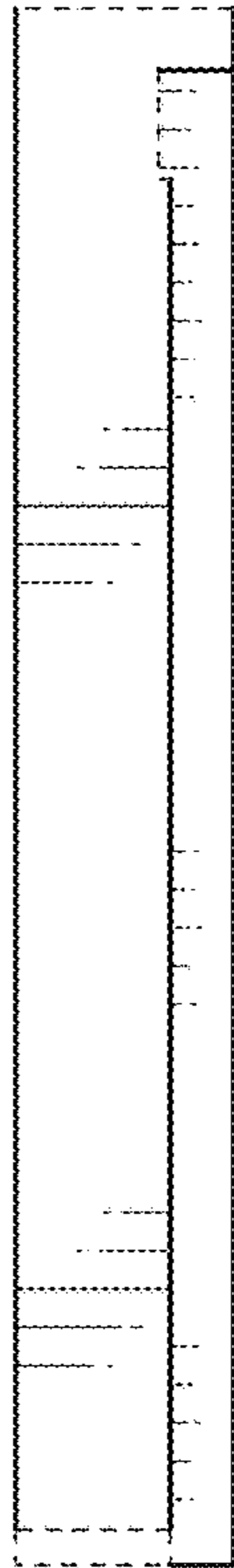


FIG. 13



FIG. 14

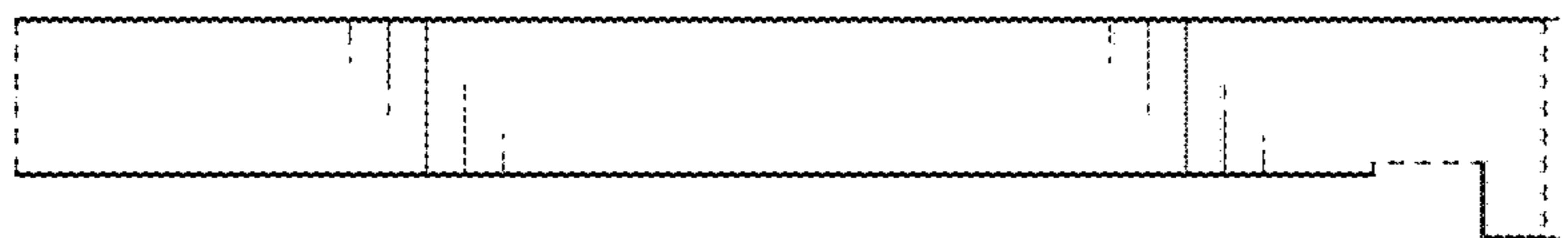


FIG. 15

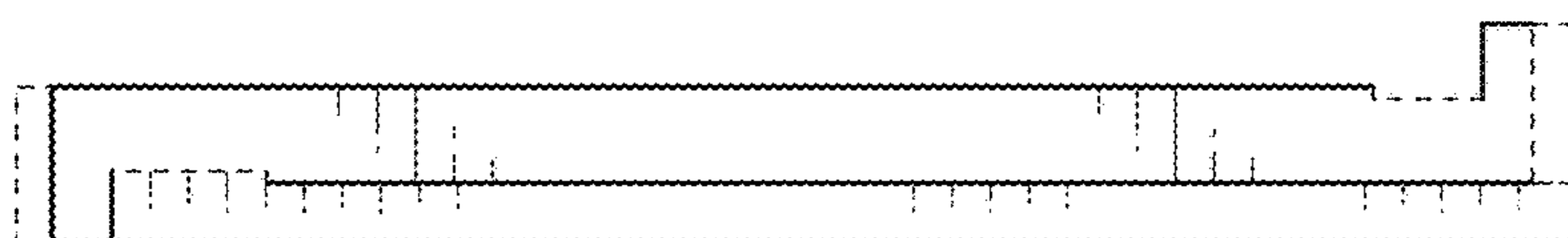


FIG. 16