



US00D790368S

(12) **United States Design Patent**
Stanton

(10) **Patent No.:** **US D790,368 S**
(45) **Date of Patent:** **** Jun. 27, 2017**

(54) **THERMOMETER**

(71) Applicant: **Jacob Alan Stanton**, Chicago, IL (US)

(72) Inventor: **Jacob Alan Stanton**, Chicago, IL (US)

(73) Assignee: **Weber-Stephen Products LLC**,
Palatine, IL (US)

(**) Term: **15 Years**

(21) Appl. No.: **29/556,186**

(22) Filed: **Feb. 29, 2016**

(51) **LOC (10) Cl.** **10-04**

(52) **U.S. Cl.**
USPC **D10/57**

(58) **Field of Classification Search**
USPC D10/57
CPC G01J 5/04; G01J 5/041; G01J 5/042; G01J
5/043; G01J 5/044; G01J 5/045; G01J
5/046; G01J 5/047; G01J 5/048; G01J
5/049

See application file for complete search history.

(56) **References Cited**

U.S. PATENT DOCUMENTS

7,520,668 B2 * 4/2009 Chen G01J 5/02
374/121
D786,097 * 5/2017 Stanton D10/57

OTHER PUBLICATIONS

Char-broil Instant Read Thermometer Model 4567720 (black).
Weber 6491 Original Folding Pocket Thermometer.
ThermoWorks Super-Fast Thermapen (Red) Professional Ther-
mometer.

* cited by examiner

Primary Examiner — Antoine D Davis
(74) *Attorney, Agent, or Firm* — Vitale Vickrey Niro &
Gasey

(57) **CLAIM**

The ornamental design for a thermometer, as shown and described in the following Figures.

DESCRIPTION

FIG. 1 is a front perspective view of a thermometer of the present invention shown in an open position;
FIG. 2 is a rear perspective view of the thermometer of the present invention shown in an open position;
FIG. 3 is a top view of the thermometer of the present invention shown in an open position;
FIG. 4 is a front view of the thermometer of the present invention shown in an open position;
FIG. 5 is a left side view of the thermometer of the present invention shown in an open position;
FIG. 6 is a back view of the thermometer of the present invention shown in an open position;
FIG. 7 is a right side view of the thermometer of the present invention shown in an open position;
FIG. 8 is a bottom view of the thermometer of the present invention shown in an open position;
FIG. 9 is a front perspective view of a thermometer of the present invention shown in a closed position;
FIG. 10 is a rear perspective view of the thermometer of the present invention shown in a closed position;
FIG. 11 is a top view of the thermometer of the present invention shown in a closed position;
FIG. 12 is a front view of the thermometer of the present invention shown in a closed position;
FIG. 13 is a left side view of the thermometer of the present invention shown in a closed position;
FIG. 14 is a back view of the thermometer of the present invention shown in a closed position;
FIG. 15 is a right side view of the thermometer of the present invention shown in a closed position; and,
FIG. 16 is a bottom view of the thermometer of the present invention shown in a closed position.
The broken lines shown in the Figures are for illustration purposes only and form no part of the claimed design.

1 Claim, 6 Drawing Sheets

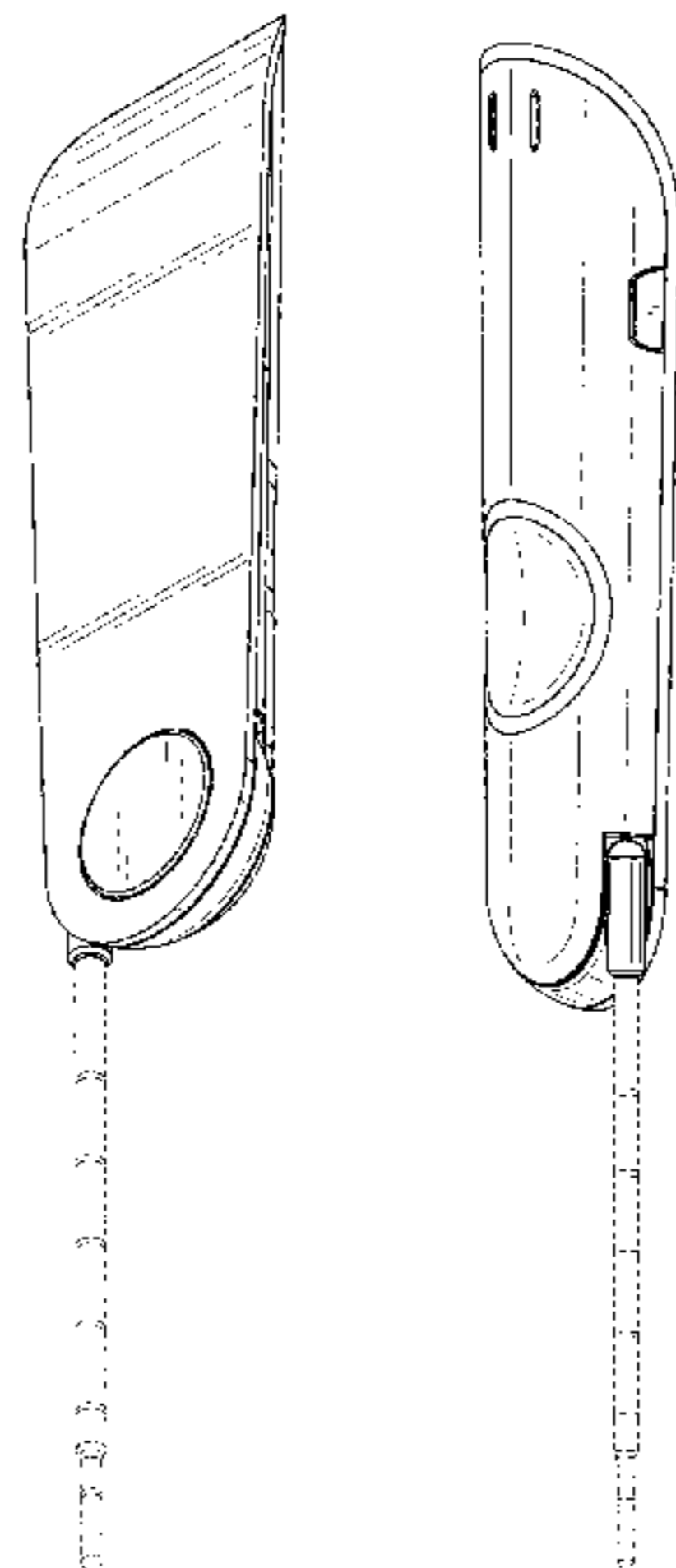


Fig. 1

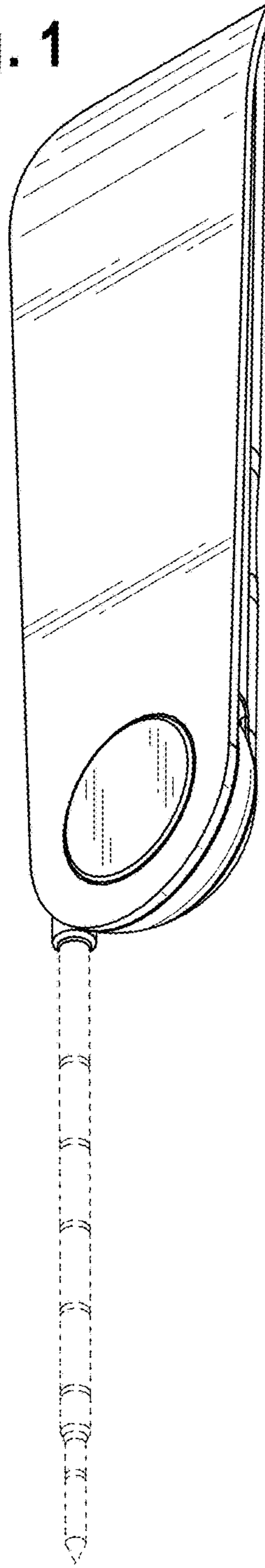


Fig. 2

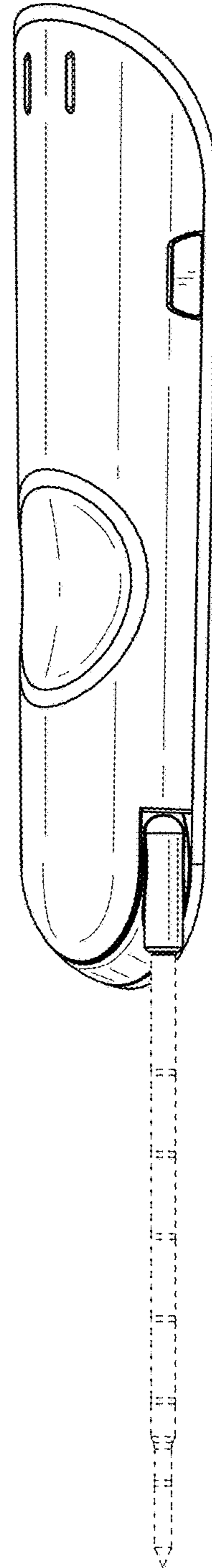


Fig. 3



Fig. 4

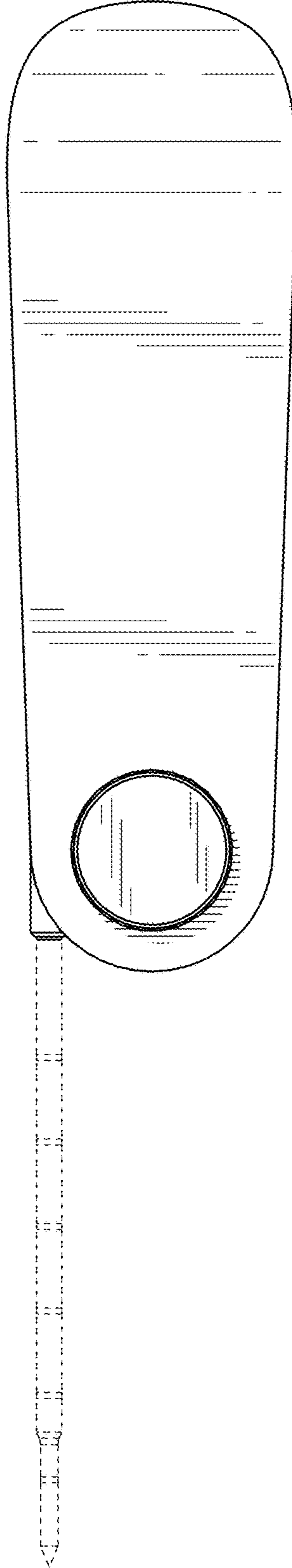


Fig. 5

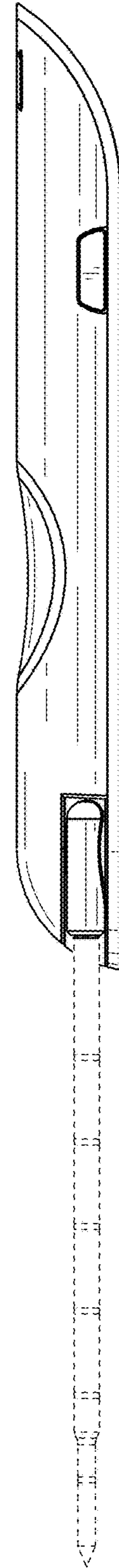


Fig. 6

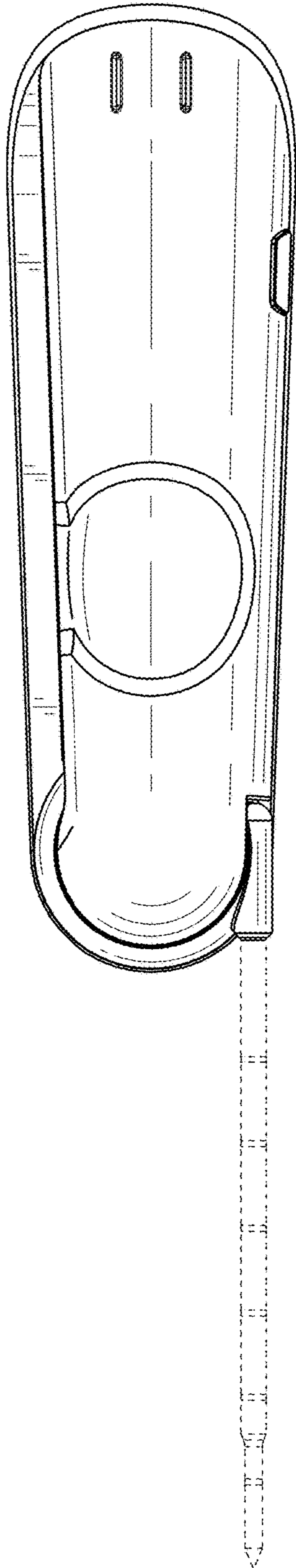


Fig. 7

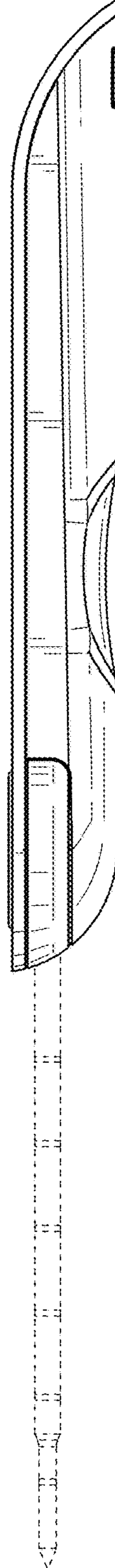


Fig. 8

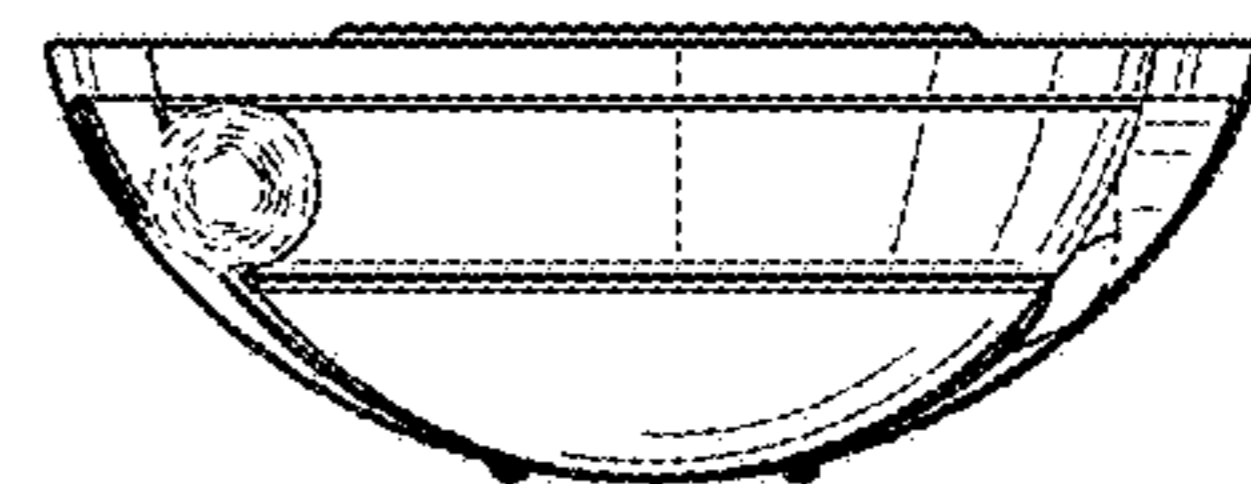


Fig. 9

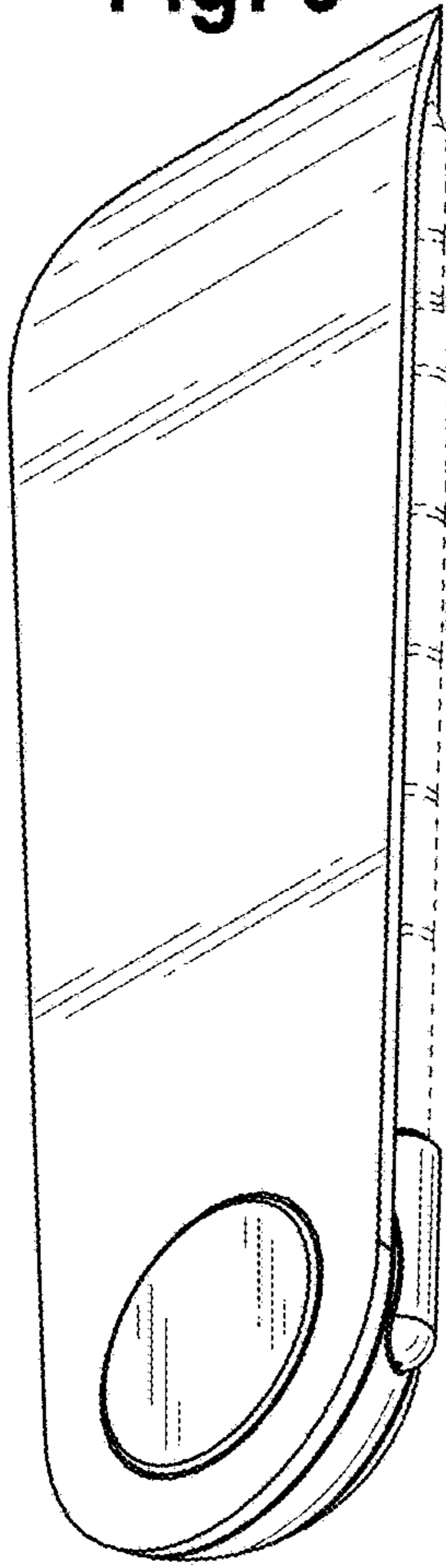


Fig. 10

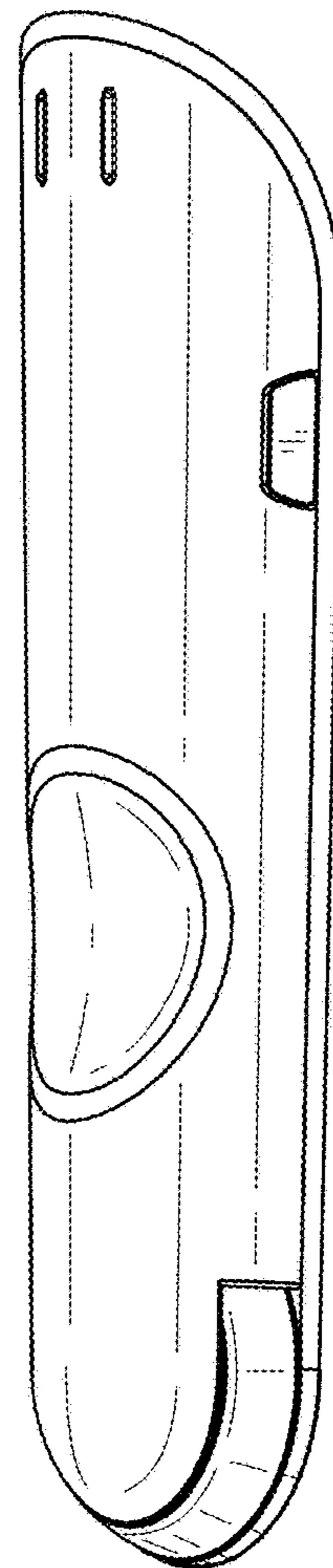


Fig. 11



Fig. 12

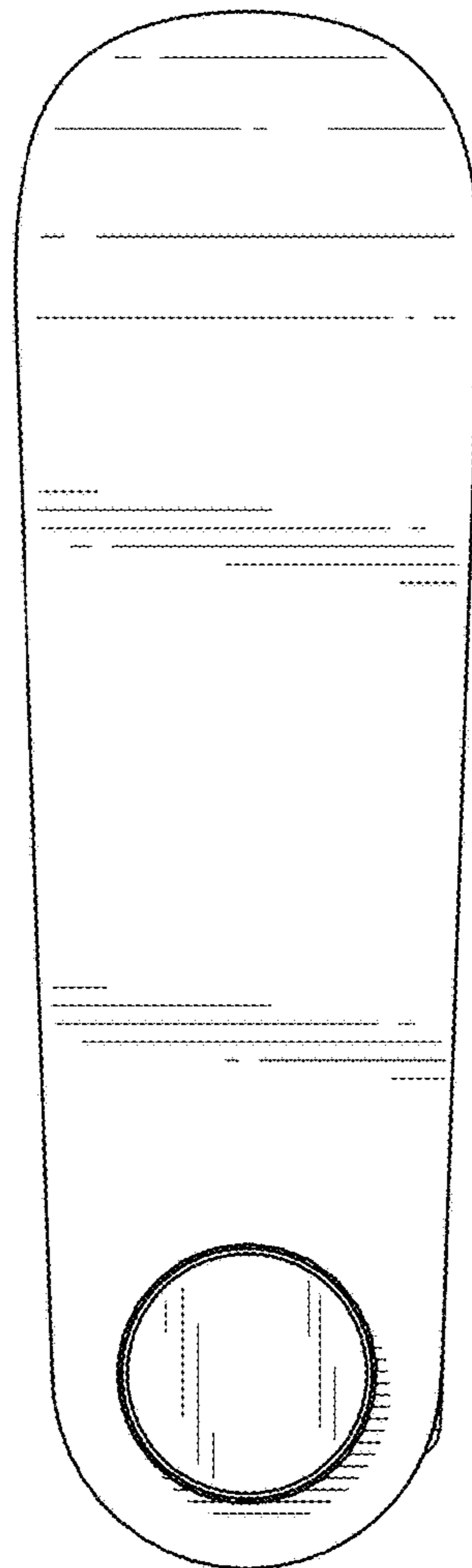


Fig. 13



Fig. 14

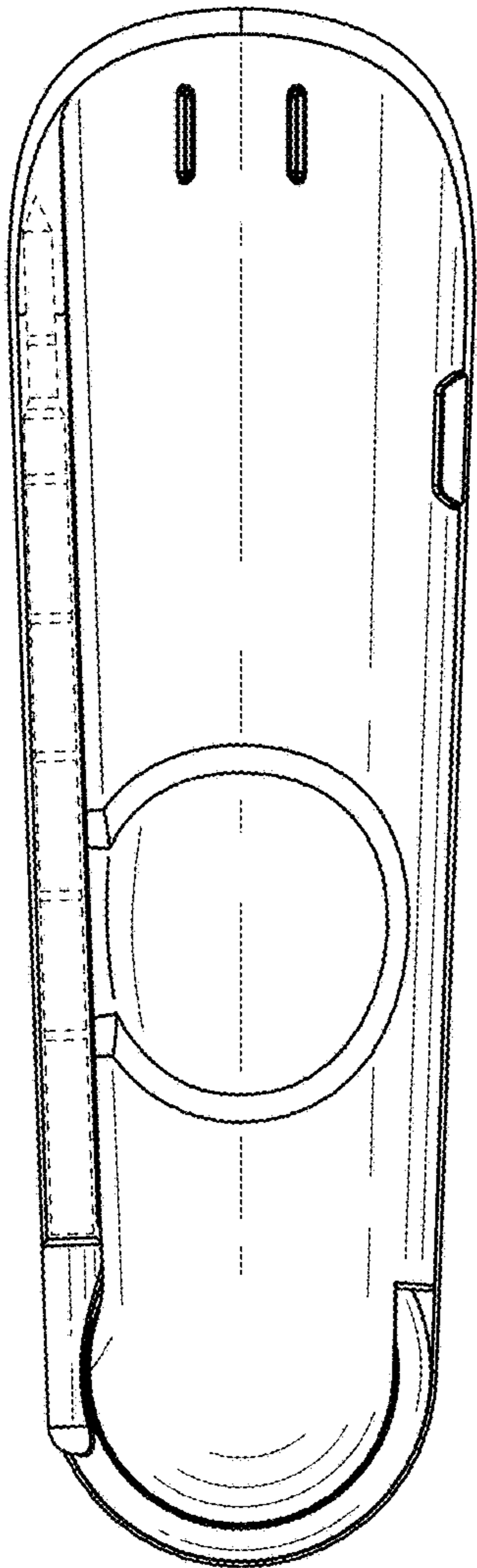


Fig. 15

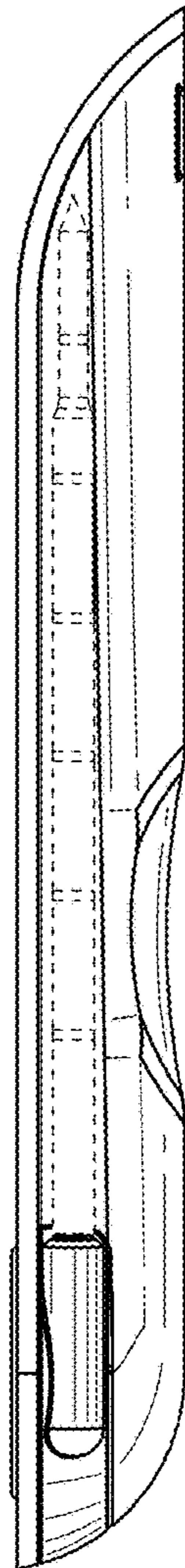


Fig. 16

