



US00D790367S

(12) **United States Design Patent**
Krafft

(10) **Patent No.:** **US D790,367 S**

(45) **Date of Patent:** **** Jun. 27, 2017**

(54) **AIR QUALITY MONITOR**

(71) Applicant: **KrafftIT, Inc.**, Los Angeles, CA (US)

(72) Inventor: **Fredrik Krafft**, Los Angeles, CA (US)

(73) Assignee: **KrafftIT, Inc.**, Los Angeles, CA (US)

(**) Term: **15 Years**

(21) Appl. No.: **29/551,166**

(22) Filed: **Jan. 11, 2016**

(51) **LOC (10) Cl.** **10-04**

(52) **U.S. Cl.**
USPC **D10/52**

(58) **Field of Classification Search**
USPC D10/52, 81
CPC G01N 1/2273; G01N 2001/2276; G01N
2001/2279; G01N 7/00; G01N 7/02;
G01N 7/04; G01N 7/06; G01N 7/08;
G01N 7/10; G01N 7/12; G01N 7/14;
G01N 7/16; G01N 7/18; G01N 7/20;
G01N 7/22; G01N 33/009-33/0075;
H04B 17/23

See application file for complete search history.

(56) **References Cited**

U.S. PATENT DOCUMENTS

D555,527 S * 11/2007 LeSage D10/81
D557,156 S * 12/2007 Kon D10/81
D711,264 S * 8/2014 Antonczak D10/81

* cited by examiner

Primary Examiner — Antoine D Davis

(74) *Attorney, Agent, or Firm* — K & L Gates LLP

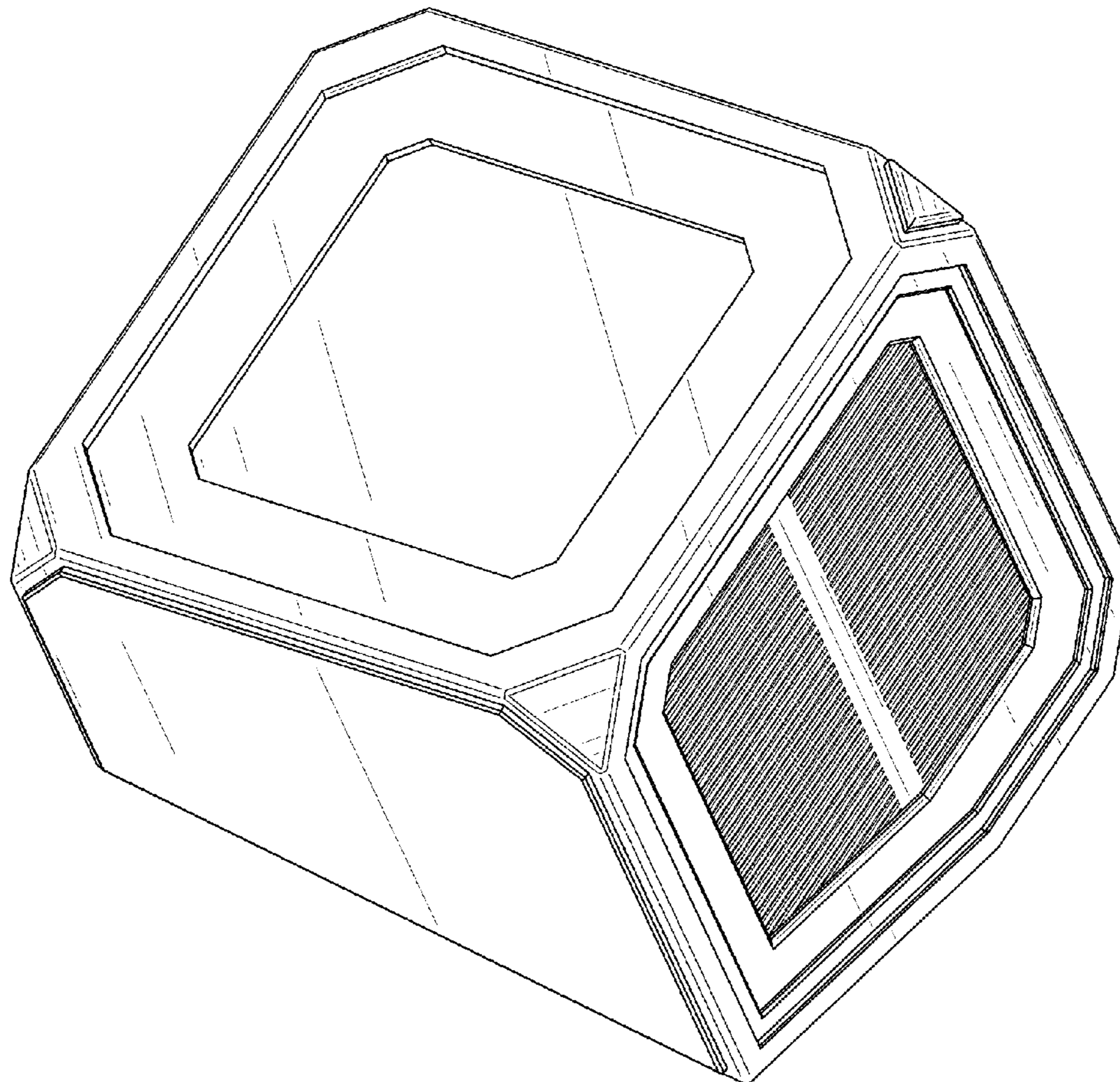
(57) **CLAIM**

The ornamental design for an air quality monitor, as shown and described.

DESCRIPTION

FIG. 1 illustrates a perspective view of an air quality monitor;
FIG. 2 illustrates a front elevation view thereof;
FIG. 3 illustrates a back elevation view thereof;
FIG. 4 illustrates a side elevation view thereof;
FIG. 5 illustrates a side elevation view thereof;
FIG. 6 illustrates a top plan view thereof; and,
FIG. 7 illustrates a bottom plan view thereof.

1 Claim, 7 Drawing Sheets



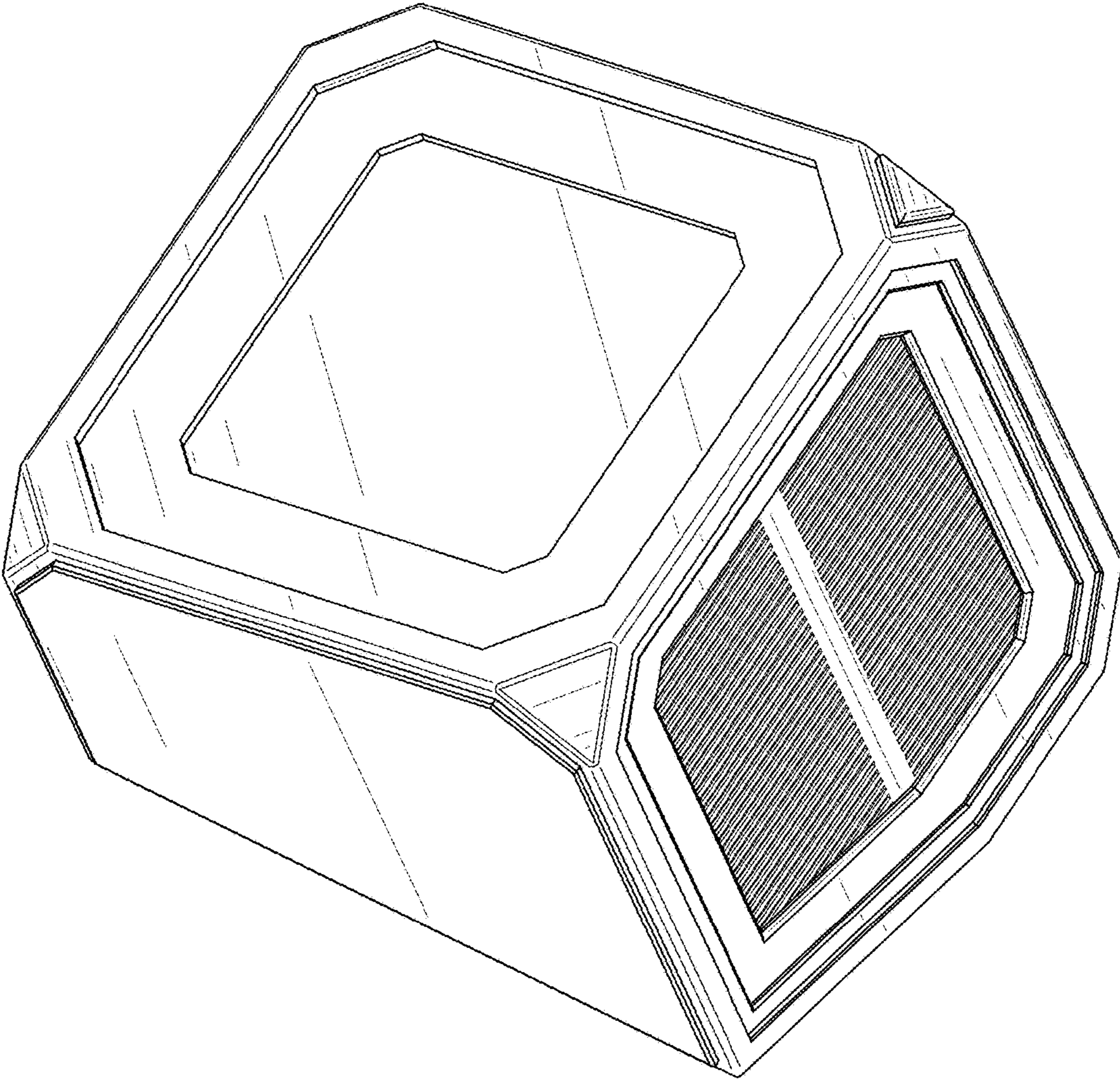


FIG. 1

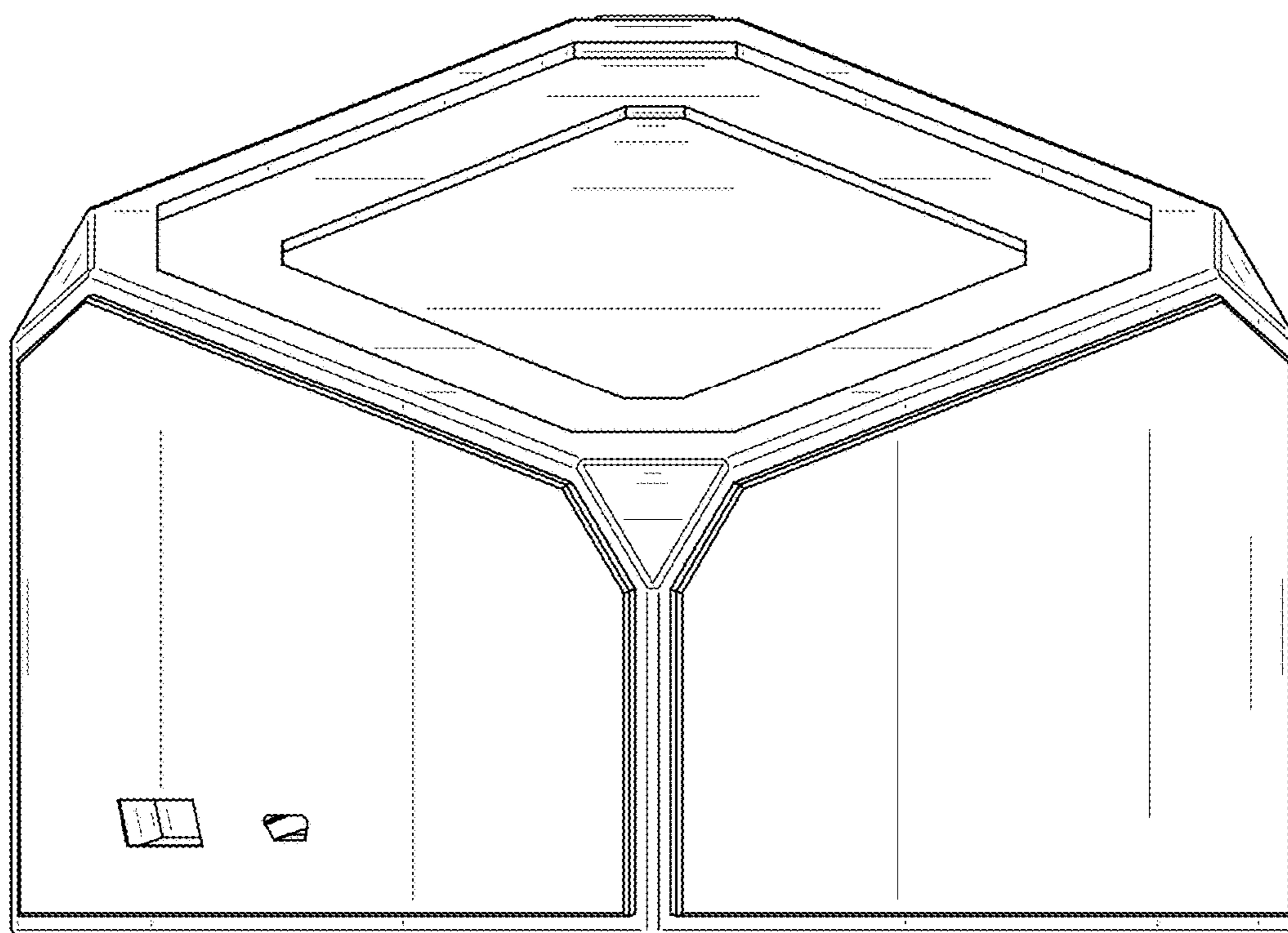


FIG. 2

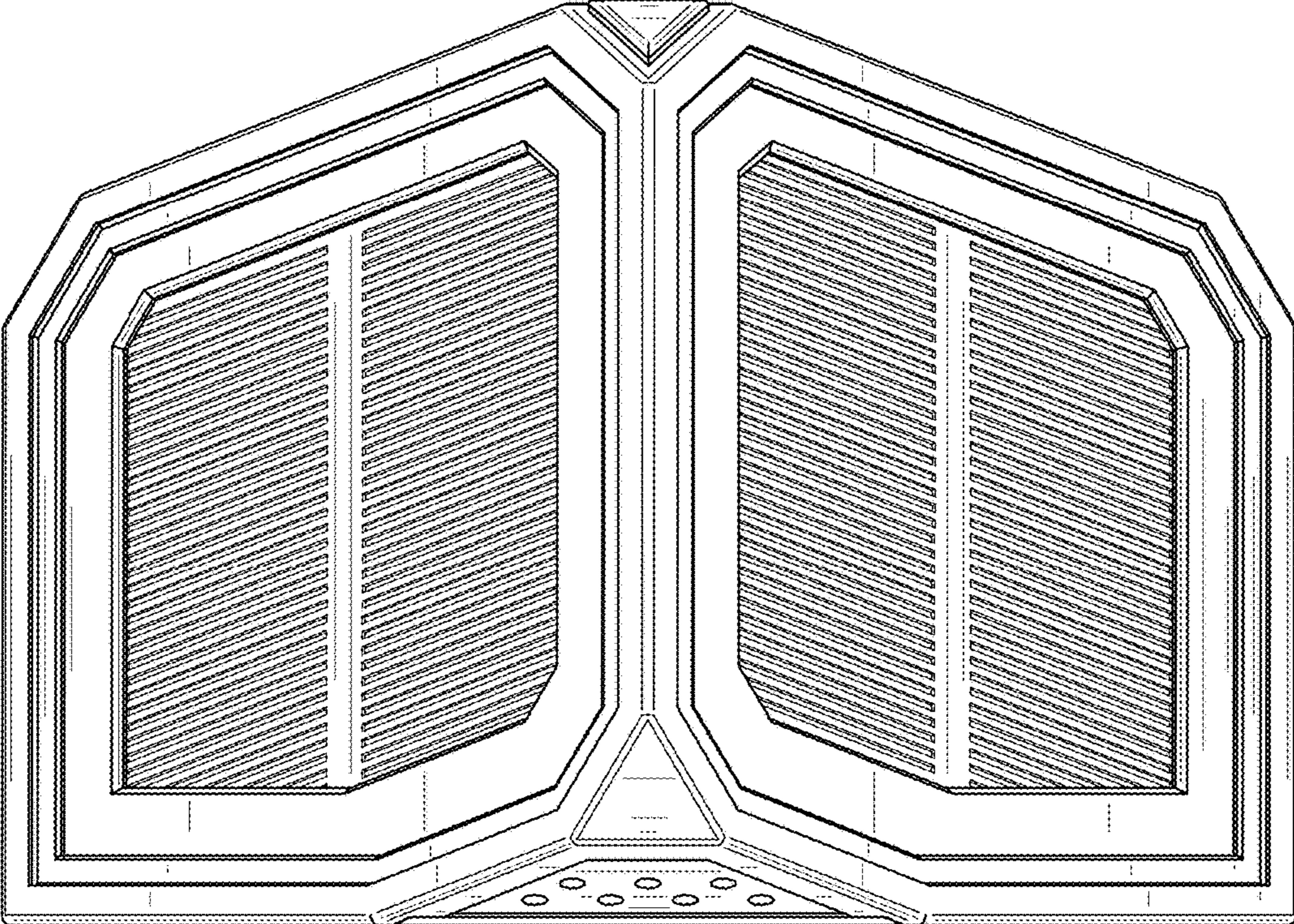


FIG. 3

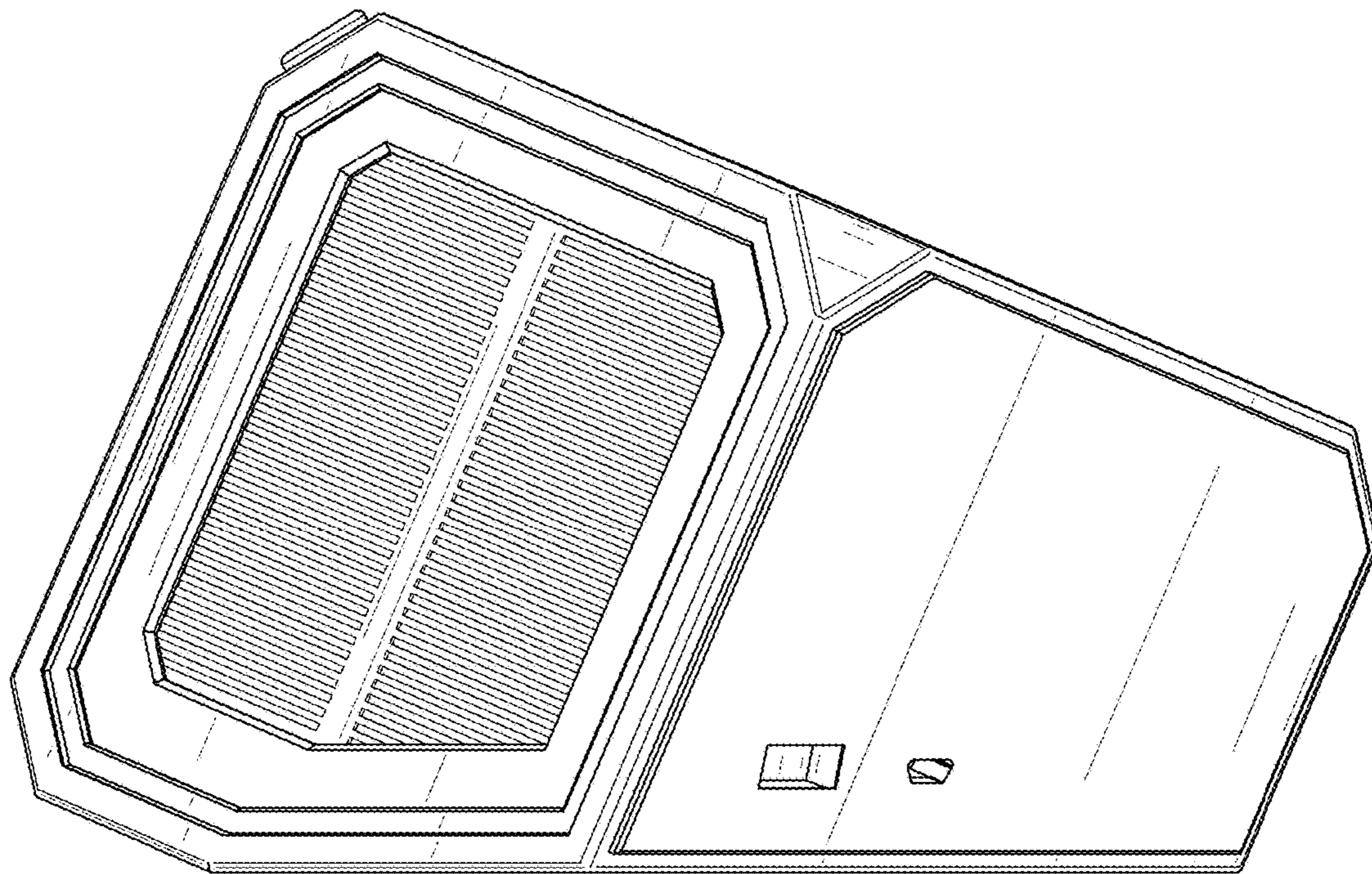


FIG. 4

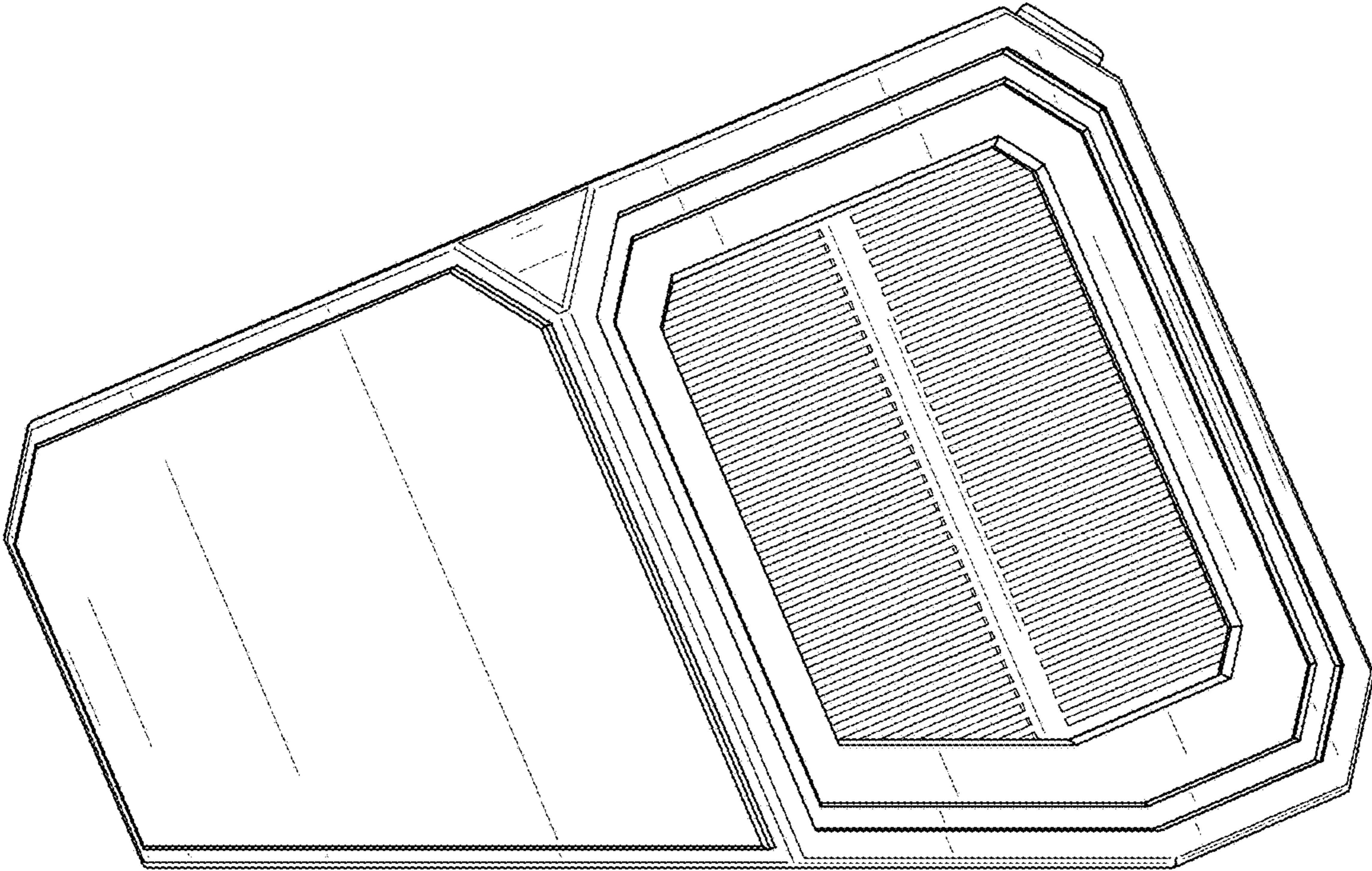


FIG. 5

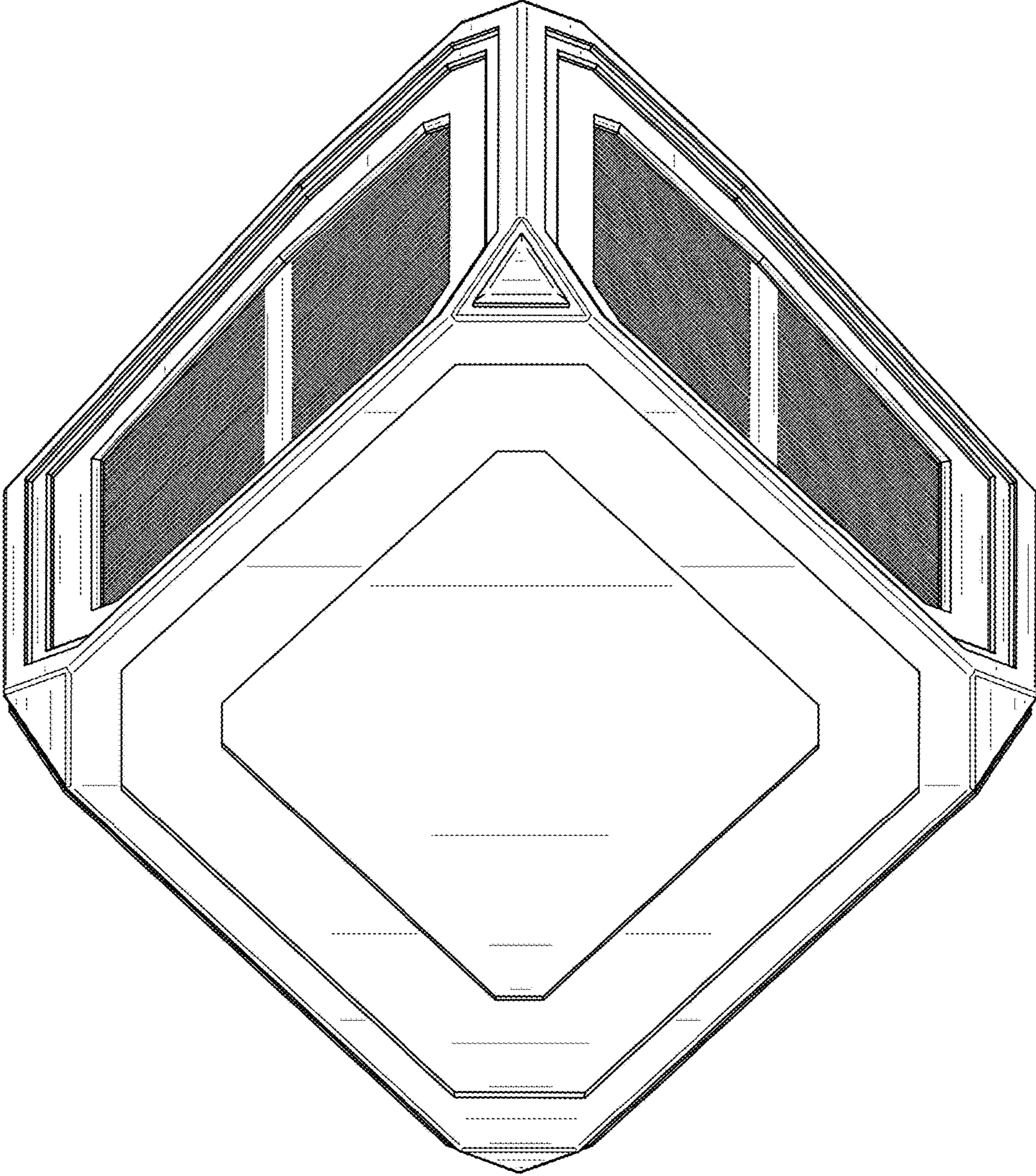


FIG. 6

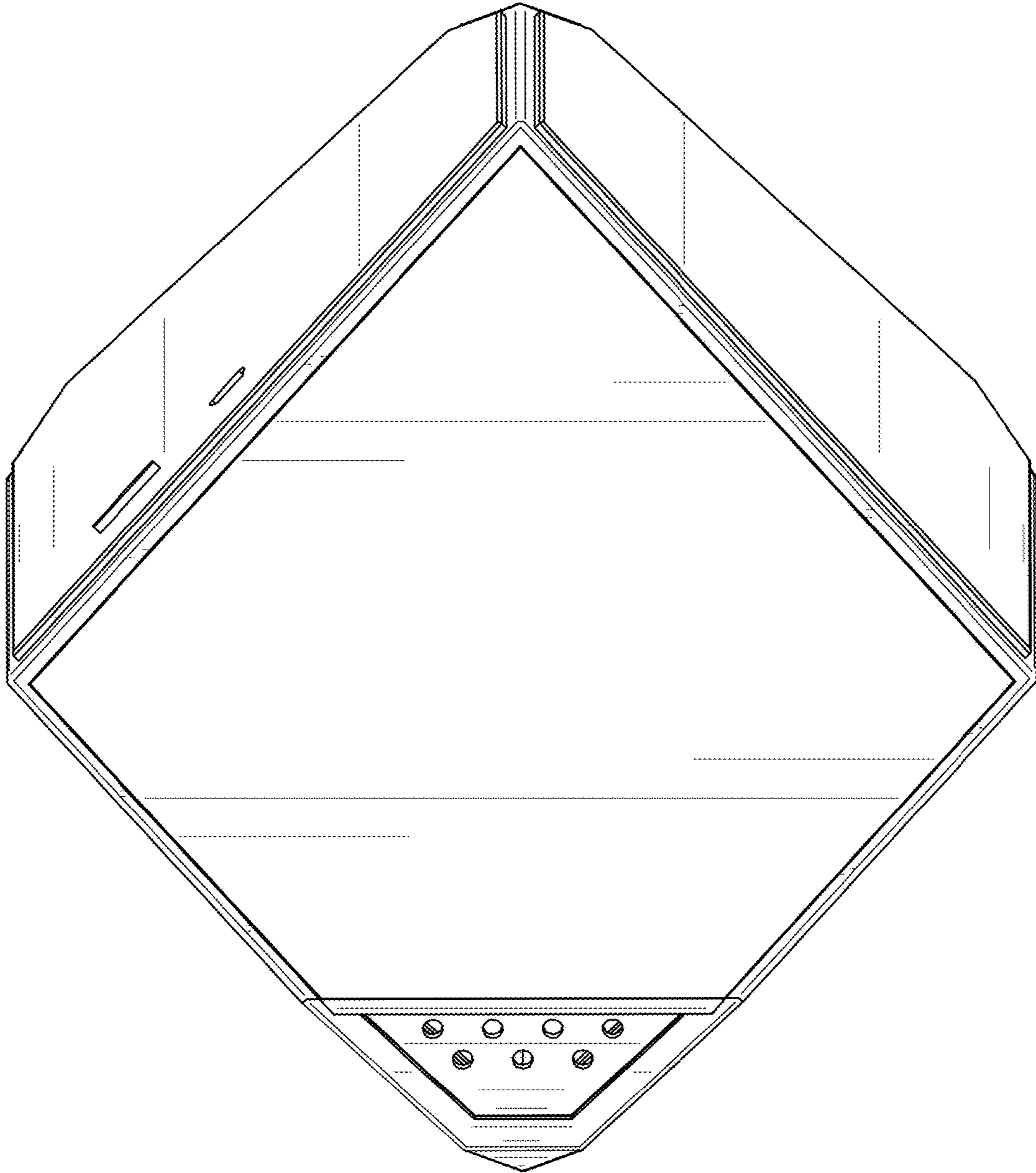


FIG. 7