



US00D790352S

(12) **United States Design Patent**
Staab

(10) **Patent No.:** **US D790,352 S**

(45) **Date of Patent:** **** Jun. 27, 2017**

(54) **BOTTLE**

(71) Applicant: **Mary Kay Inc.**, Addison, TX (US)

(72) Inventor: **Jenny DeMarco Staab**, Frisco, TX (US)

(73) Assignee: **Mary Kay Inc.**, Addison, TX (US)

(**) Term: **15 Years**

(21) Appl. No.: **29/546,779**

(22) Filed: **Nov. 25, 2015**

Related U.S. Application Data

(62) Division of application No. 29/476,519, filed on Dec. 13, 2013, now Pat. No. Des. 747,212.

(51) **LOC (10) Cl.** **09-01**

(52) **U.S. Cl.**
USPC **D9/574**

(58) **Field of Classification Search**

USPC D4/114; D7/300, 301, 500, 505, 507, D7/509, 510, 511, 514, 515, 526, 530, D7/560, 561, 566, 571, 601, 602, 619.1; D9/430, 516, 544, 546, 553, 555, 559, D9/566, 568, 574, 651, 715, 719, 730, D9/738; D19/93; D23/366; D28/91.1; 206/581; 215/381-385, 396, 398; 220/660-662, 669-675; 222/153.1, 372, 222/373, 383.1, 401, 402, 631; 392/403

CPC ... A45D 34/00; A45D 34/02; A45D 2034/007
See application file for complete search history.

(56) **References Cited**

U.S. PATENT DOCUMENTS

D76,142 S 8/1928 Liddell D9/544
D77,110 S 12/1928 McEldowney D28/91

D82,653 S 12/1930 Babbas D9/573
D106,370 S 10/1937 Pancoast D9/563
D115,343 S 6/1939 Burgund D9/560
D120,147 S * 4/1940 Steuer D9/566
D213,041 S * 12/1968 Stahl D9/529
D218,282 S 8/1970 Heintze D7/316
D218,318 S * 8/1970 Heintze D7/316
D261,109 S * 10/1981 Rosenblatt D9/544
D268,814 S * 5/1983 Scalice D9/544
D280,181 S 8/1985 Vitrac D9/529
D299,429 S 1/1989 Dinand D9/566
D314,143 S 1/1991 Dinand D9/544
D322,565 S 12/1991 Durand D9/573
D350,604 S 9/1994 Weiss et al. D24/131

(Continued)

Primary Examiner — Susan Bennett Hattan

Assistant Examiner — Leanne Was-Englehart

(74) *Attorney, Agent, or Firm* — Norton Rose Fulbright US LLP

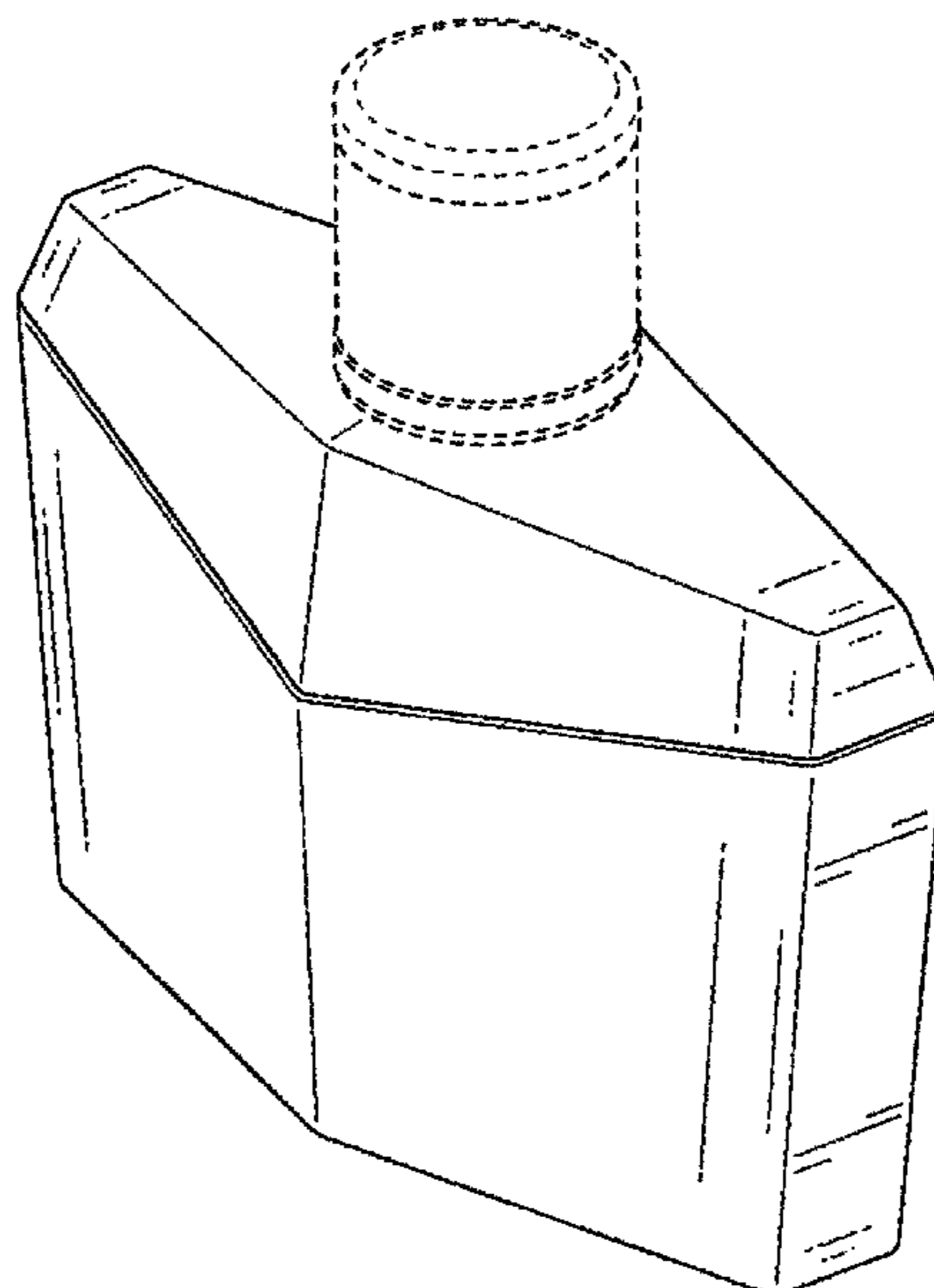
(57) **CLAIM**

The ornamental design for a bottle, as shown and described.

DESCRIPTION

FIG. 1 is a front, right perspective view of a bottle showing my design;
FIG. 2 is a front elevation view of the bottle shown in FIG. 1;
FIG. 3 is a back elevation view of the bottle shown in FIG. 1;
FIG. 4 is a right side elevation view of the bottle shown in FIG. 1;
FIG. 5 is a left side elevation view of the bottle shown in FIG. 1;
FIG. 6 is a top plan view of the bottle shown in FIG. 1; and, FIG. 7 is a bottom plan view of the bottle shown in FIG. 1. The broken lines in FIGS. 1-7 depict portions of the bottle that form no part of the claimed design.

1 Claim, 5 Drawing Sheets



(56)

References Cited

U.S. PATENT DOCUMENTS

D356,502 S	3/1995	Poandl	D9/520	D542,144 S	5/2007	Herrmann	D9/560
D378,059 S *	2/1997	De Baschmakoff	D9/544	D542,670 S	5/2007	Herrmann	D9/560
D412,283 S	7/1999	De Baschmakoff	D9/544	D544,362 S *	6/2007	Rica	D9/544
D423,370 S	4/2000	Lewin	D9/572	D553,505 S	10/2007	Oner	D9/559
D426,775 S	6/2000	Zimmer et al.	D9/542	D574,248 S	8/2008	Baraky et al.	D9/529
D428,343 S	7/2000	Waitzenegger	D9/544	D576,052 S	9/2008	Lloyd et al.	D9/694
D438,096 S	2/2001	Lehnert	D9/694	D587,596 S *	3/2009	Lloyd	D9/435
D440,880 S	4/2001	Faucon	D9/544	D588,469 S *	3/2009	Pininfarina	D9/687
D446,124 S	8/2001	Lehnert	D9/522	D589,814 S	4/2009	Holzner et al.	D9/547
D456,271 S *	4/2002	Maloney	D9/560	D604,619 S	11/2009	Tebe Poves et al.	D9/522
D463,985 S	10/2002	Bakic	D9/574	D604,629 S *	11/2009	Aebi	D9/454
D467,182 S	12/2002	Pelusi	D9/556	D607,744 S	1/2010	Laird et al.	D9/573
D471,467 S *	3/2003	Kokubo	D9/566	D610,013 S	2/2010	Mendelson	D9/522
D489,271 S	5/2004	Soomar	D9/561	D612,259 S	3/2010	Legros	D9/566
D497,555 S	10/2004	Lecoule	D9/572	D620,804 S	8/2010	Bogert et al.	D9/544
D518,730 S *	4/2006	Caserta	D23/366	D621,712 S *	8/2010	Tomas Vilarrasa	D9/522
D529,813 S *	10/2006	Modjeski	D9/546	D632,969 S	2/2011	Monteparo et al.	D9/544
D530,213 S *	10/2006	Modjeski	D9/546	D639,667 S	6/2011	Bogert et al.	D9/544
D530,216 S *	10/2006	Modjeski	D9/566	D643,733 S	8/2011	Aebi	D9/544
D531,911 S	11/2006	Lloyd	D9/546	D645,341 S *	9/2011	Bhattacharya	D9/430
D535,890 S	1/2007	Herrmann	D9/571	D653,943 S *	2/2012	Bhattacharya	D9/430
D536,259 S	2/2007	Herrmann	D9/573	D656,830 S	4/2012	Rodriguez	D9/520
D538,675 S	3/2007	Dalton	D9/573	D674,704 S	1/2013	Baussan	D9/569
				D680,004 S	4/2013	Lecetre et al.	D9/573
				D747,212 S *	1/2016	Staab	D9/559

* cited by examiner

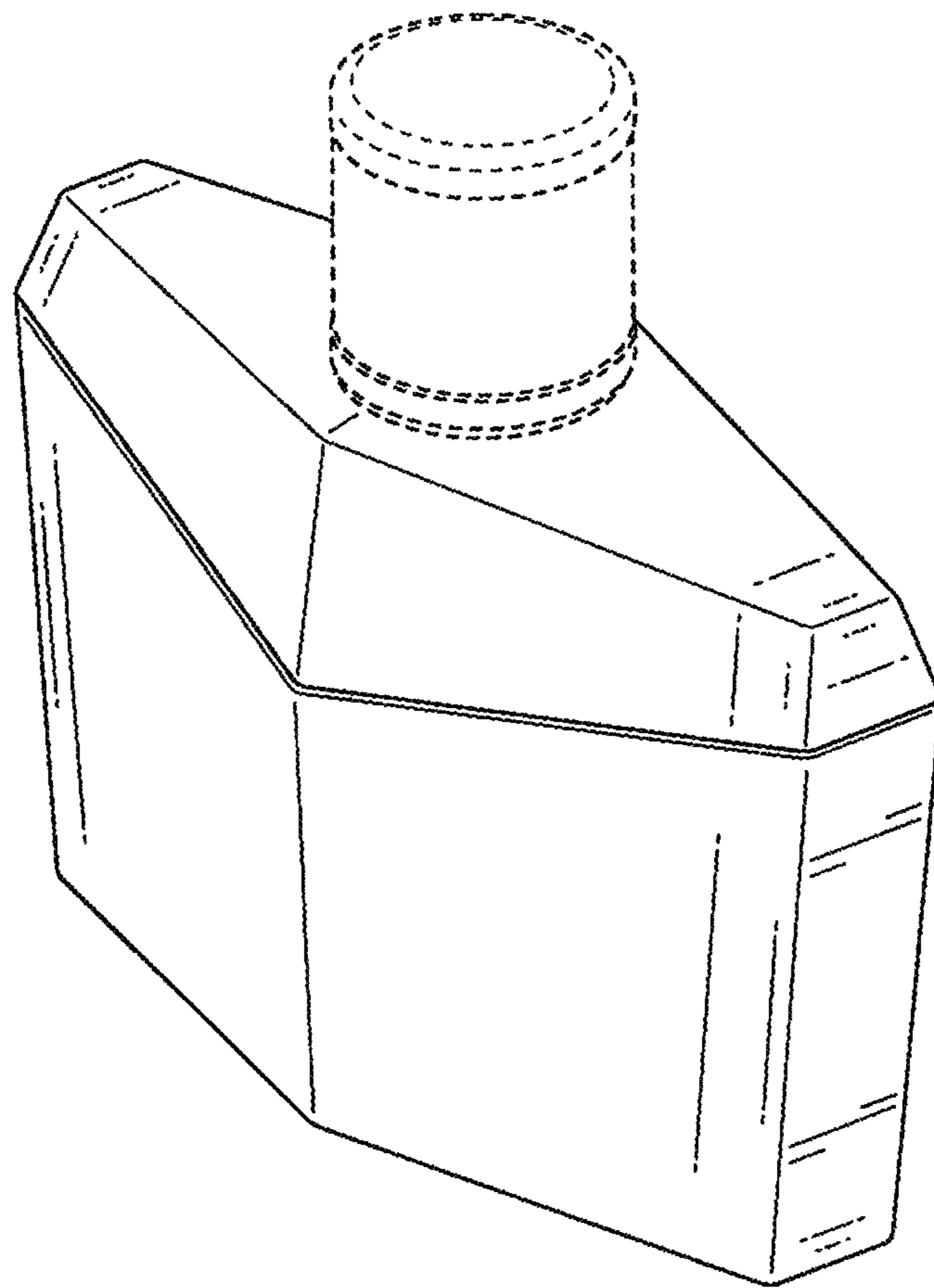


FIG. 1

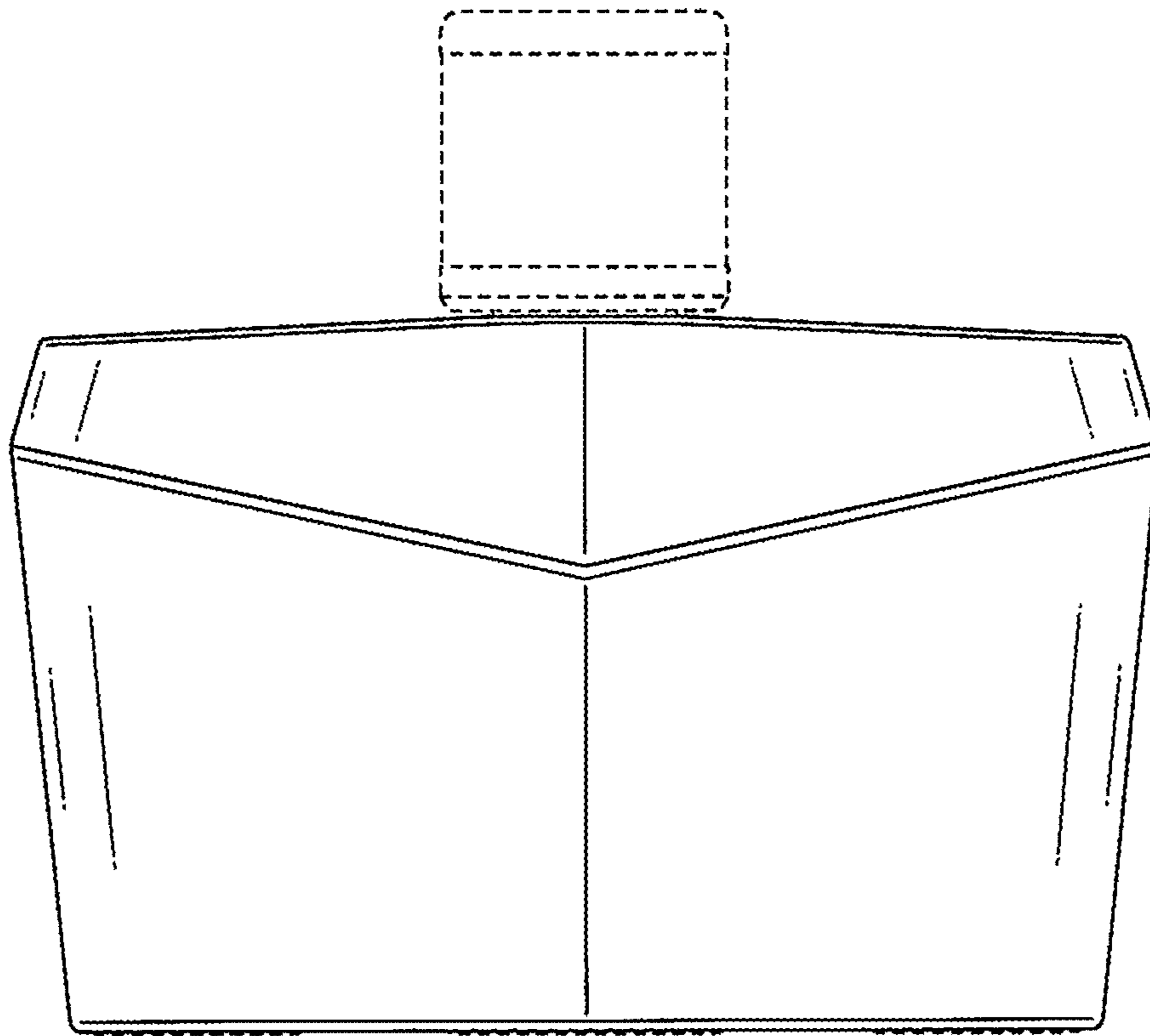


FIG. 2

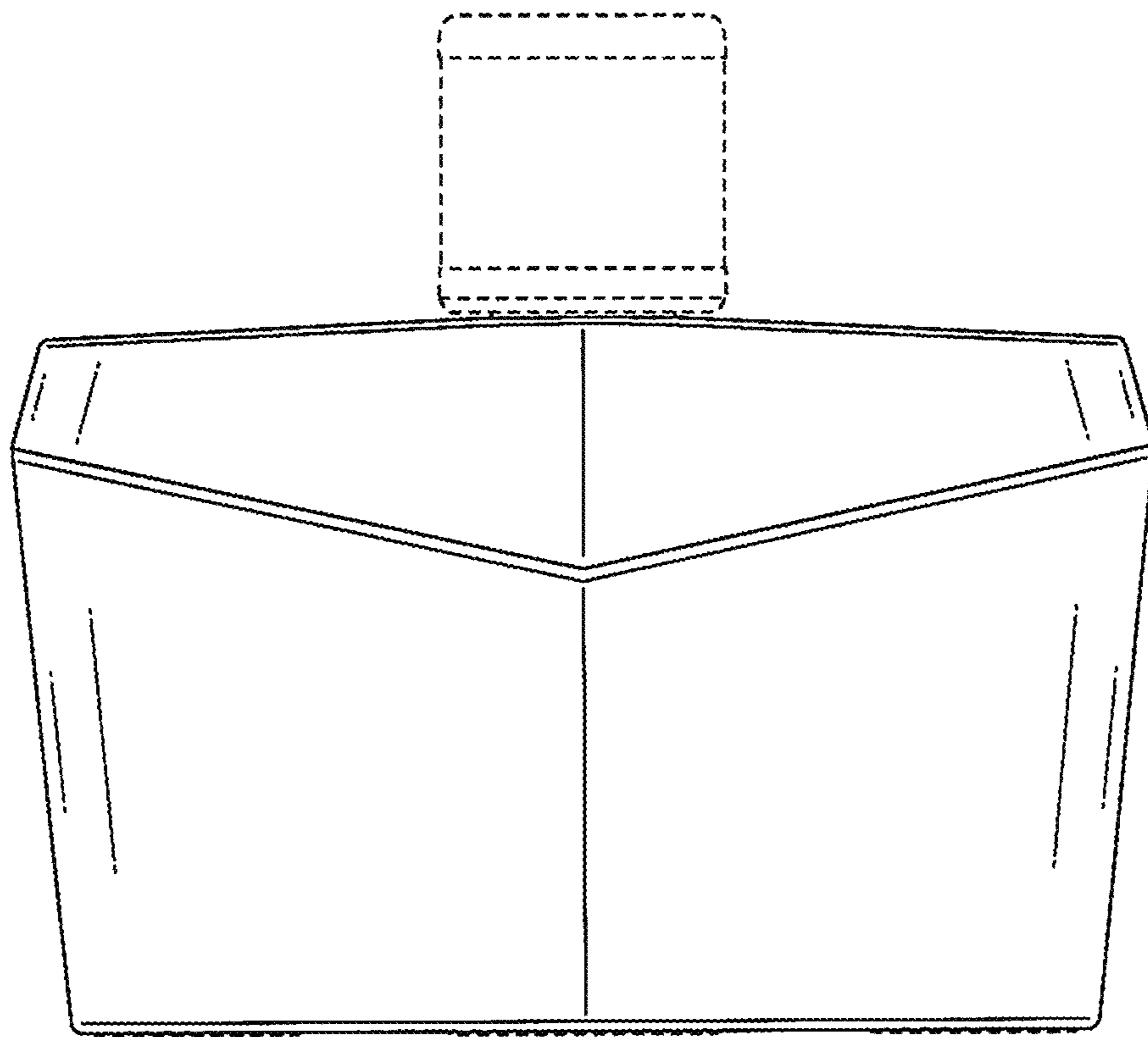


FIG. 3

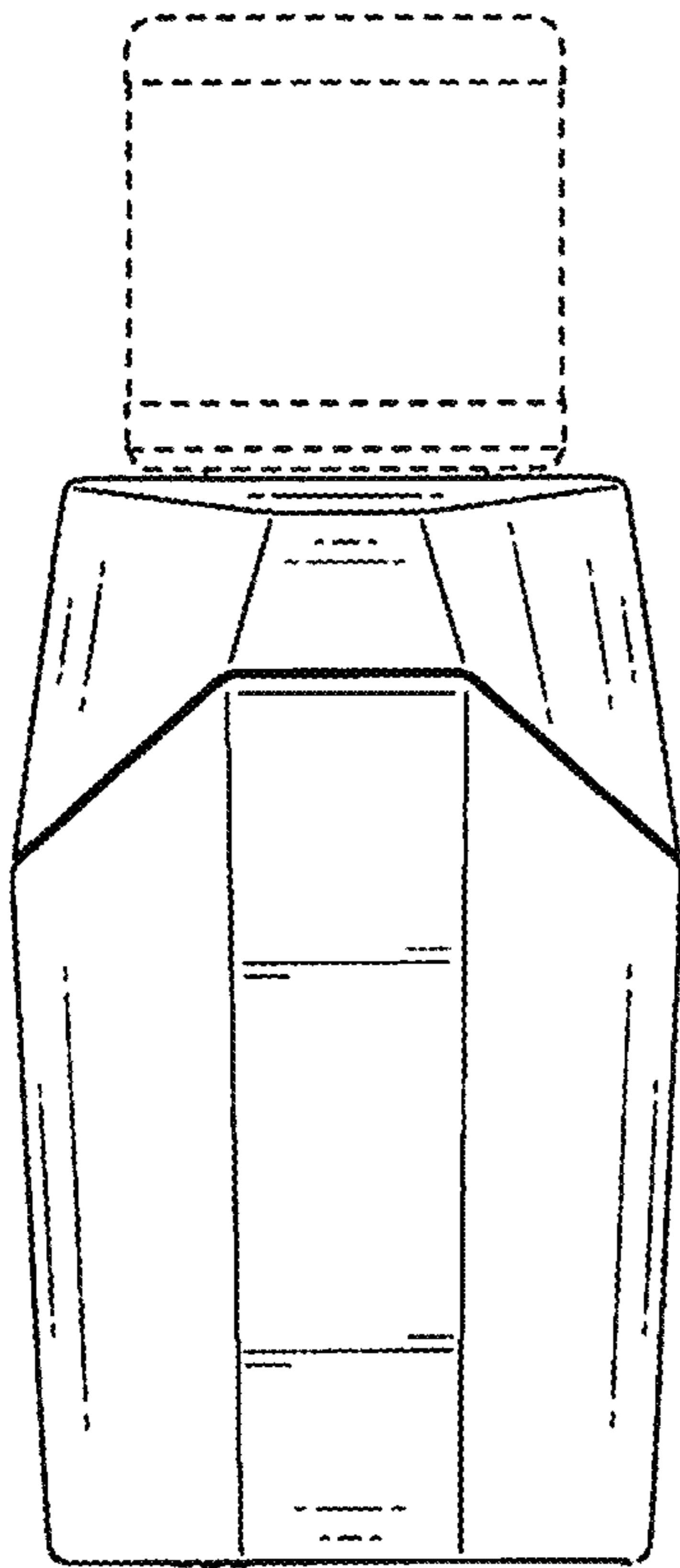


FIG. 4

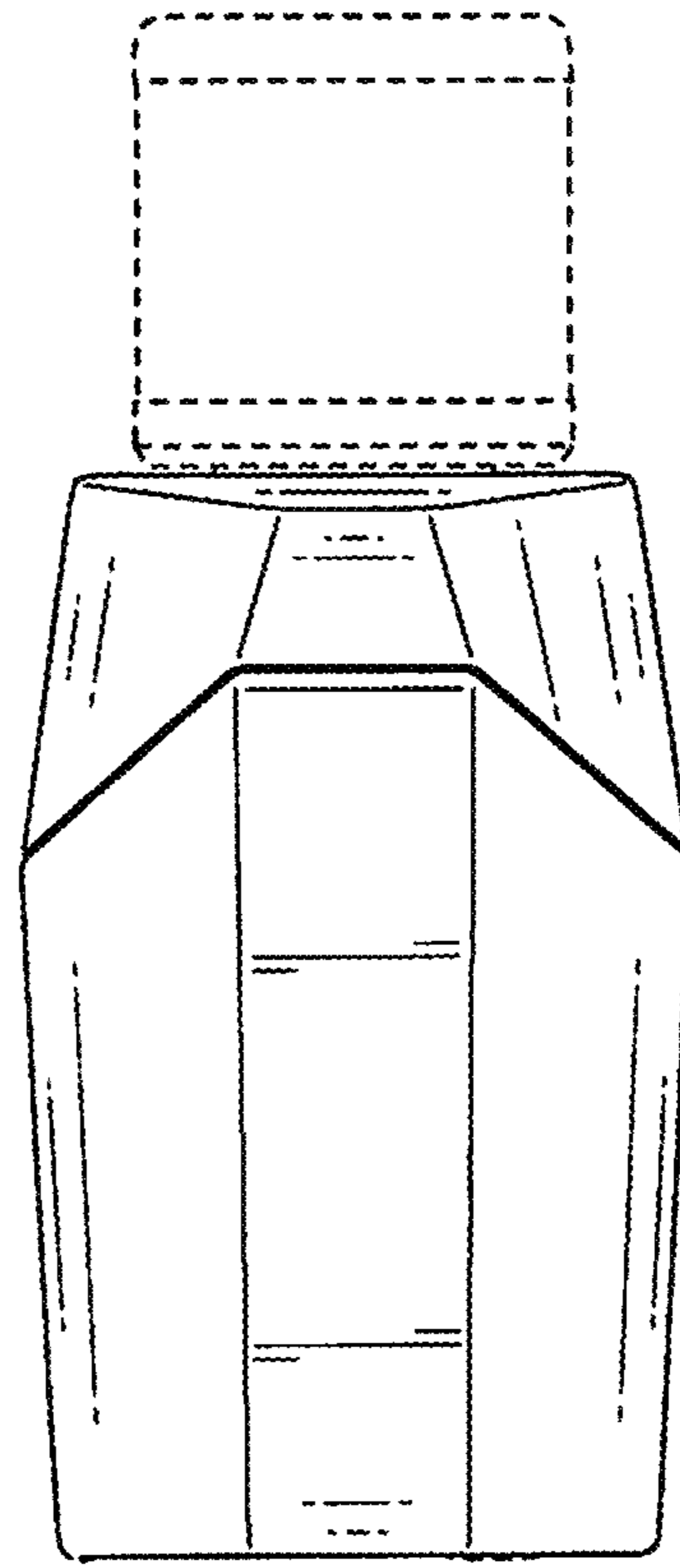


FIG. 5

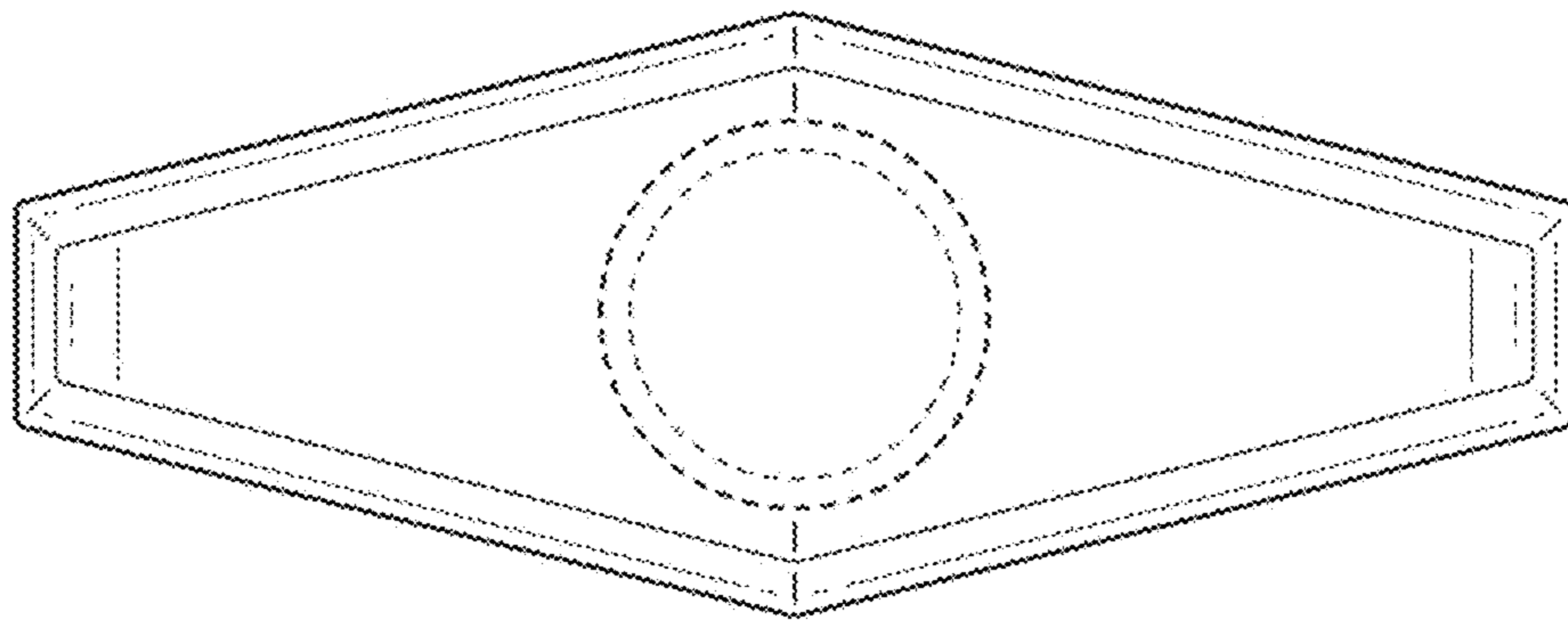


FIG. 6

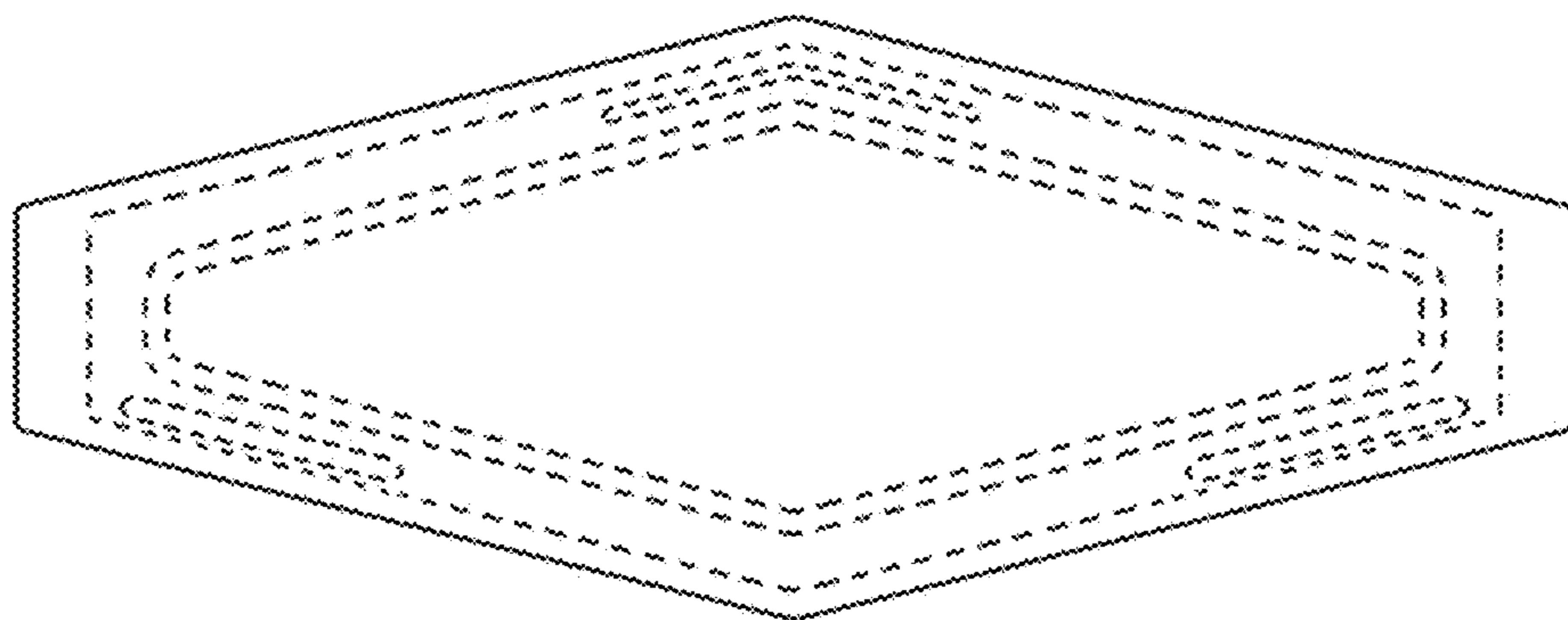


FIG. 7