



US00D790351S

(12) **United States Design Patent**
Maillet et al.

(10) **Patent No.:** **US D790,351 S**
(45) **Date of Patent:** **** Jun. 27, 2017**

(54) **BOTTLE**

D637,082 S * 5/2011 Delbon D9/500
D652,301 S * 1/2012 Pelkey D9/500
D688,948 S * 9/2013 Gonzalez Rodriguez D9/500

(71) Applicant: **Saverglass**, Feuquieres (FR)

(72) Inventors: **Régis Maillet**, Feuquieres (FR);
Christophe Blond, Feuquieres (FR)

(73) Assignee: **Saverglass**, Feuquieres (FR)

(**) Term: **14 Years**

(21) Appl. No.: **29/510,544**

(22) Filed: **Dec. 1, 2014**

(30) **Foreign Application Priority Data**

Jul. 10, 2014 (EM) 002500165-0001

(51) **LOC (10) Cl.** **09-01**

(52) **U.S. Cl.**
USPC **D9/560**

(58) **Field of Classification Search**
USPC D9/504, 505, 516, 544–546, 682,
D9/686–692, 537–539; 215/379, 381,
215/382, 384; 220/660, 662, 669, 675
CPC . B65D 1/02; B65D 1/0223; B65D 2501/0081
See application file for complete search history.

(56) **References Cited**

U.S. PATENT DOCUMENTS

D451,812 S * 12/2001 Colonna de Giovellina . D9/516
D526,197 S * 8/2006 Lauret D9/505
D595,141 S * 6/2009 Rica D9/544
D622,602 S * 8/2010 Potts D9/544
D635,856 S * 4/2011 Lauret D9/500
D636,677 S * 4/2011 Diez D9/500

OTHER PUBLICATIONS

“Qbic”, Extra Premium, SAVERGLASS Esprit Design Catalogue, Saverglass Inc., p. 12, digital document dated Oct. 2012, retrieved Sep. 2013, < <http://www.verrieresdebourgogne.fr/verrieres-debourgogne/bouteilles.html> >.*

* cited by examiner

Primary Examiner — Derrick Holland

Assistant Examiner — Janice Lim

(74) *Attorney, Agent, or Firm* — Philip H. Gottfried, Esq.;
Amster, Rothstein & Ebenstein LLP

(57) **CLAIM**

The ornamental design for a bottle, substantially as shown and described.

DESCRIPTION

FIG. 1 is a front elevational view of a bottle, and the rear elevational view being a mirror image thereof, showing our new design;

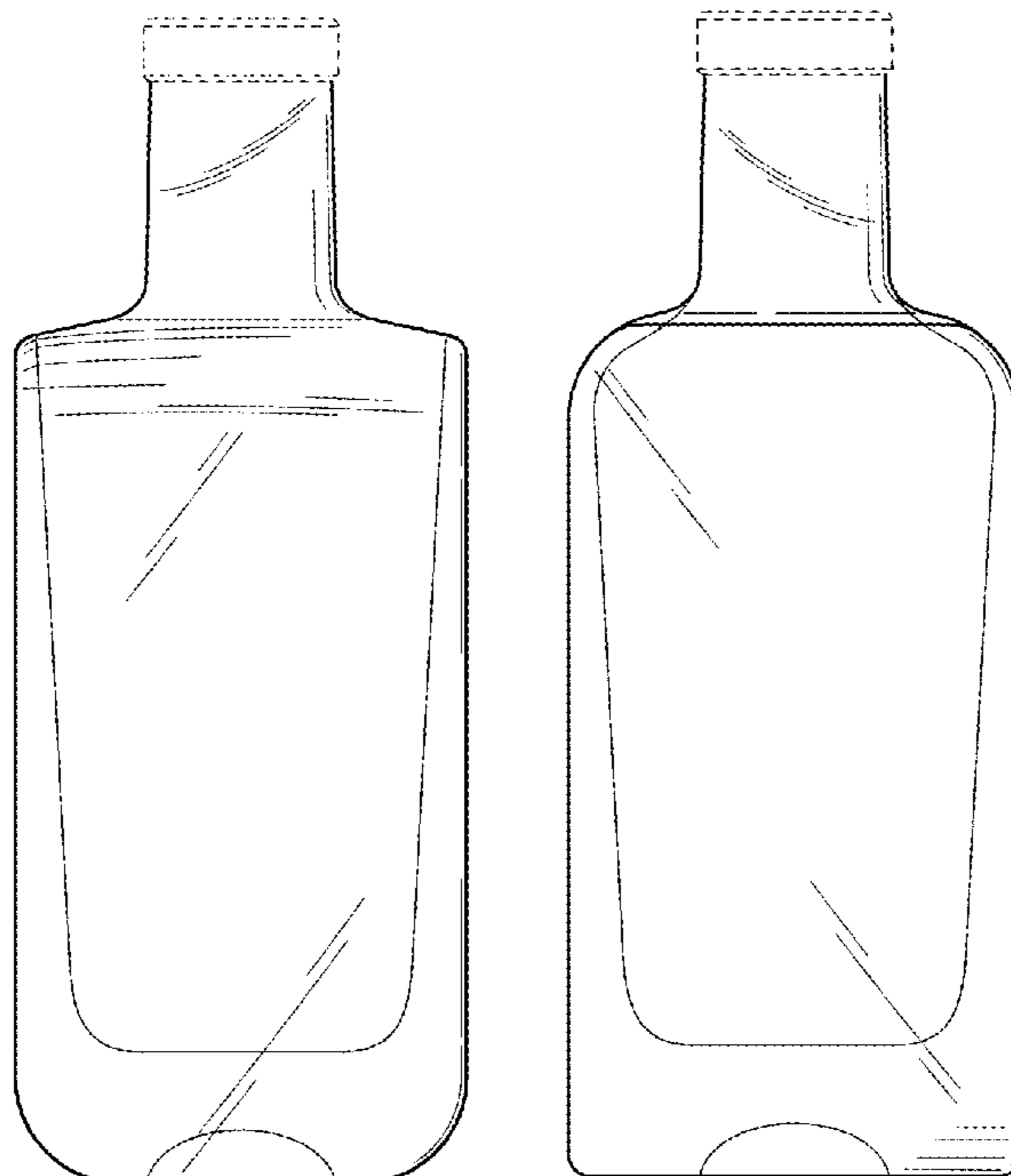
FIG. 2 is a right side elevational view thereof, and the left side elevational view being a mirror image thereof;

FIG. 3 is a top plan view thereof; and,

FIG. 4 is a bottom view thereof.

The broken line portions of FIGS. 1-3 show unclaimed subject matter only and form no part of the claimed design.

1 Claim, 1 Drawing Sheet



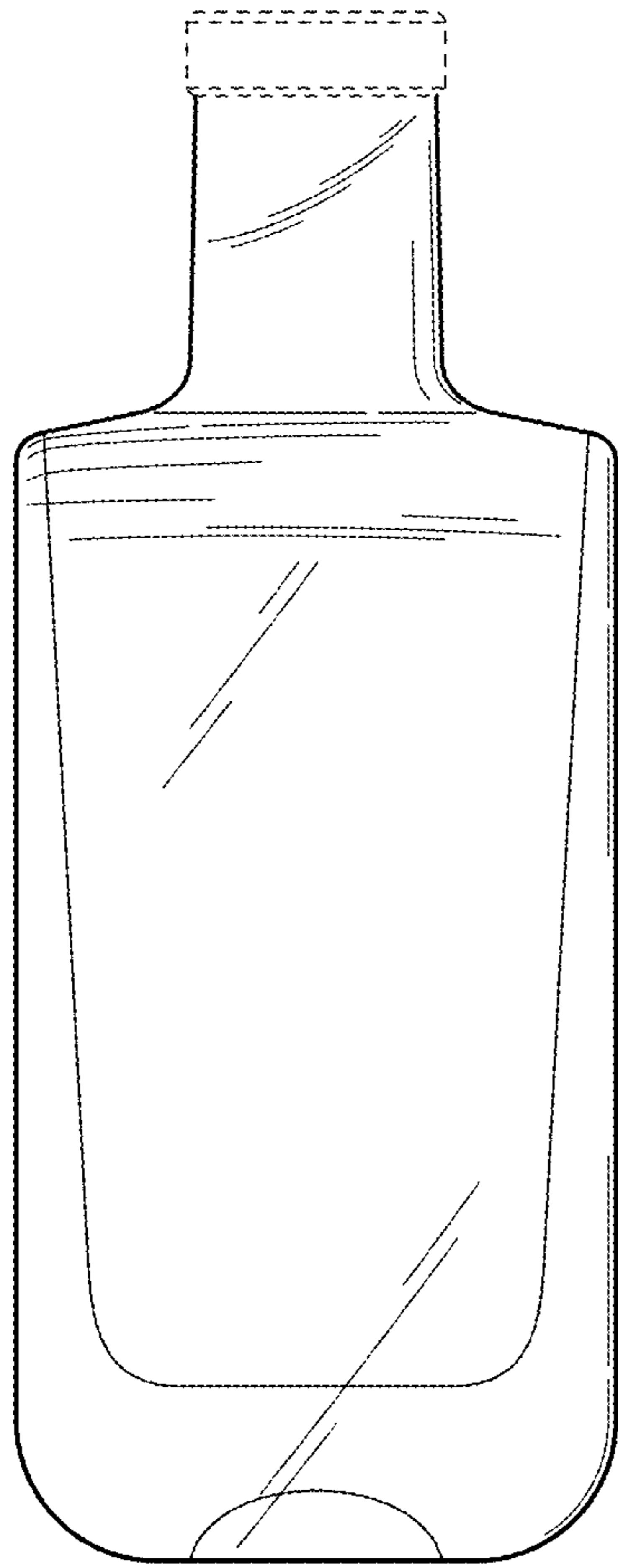


FIG. 1

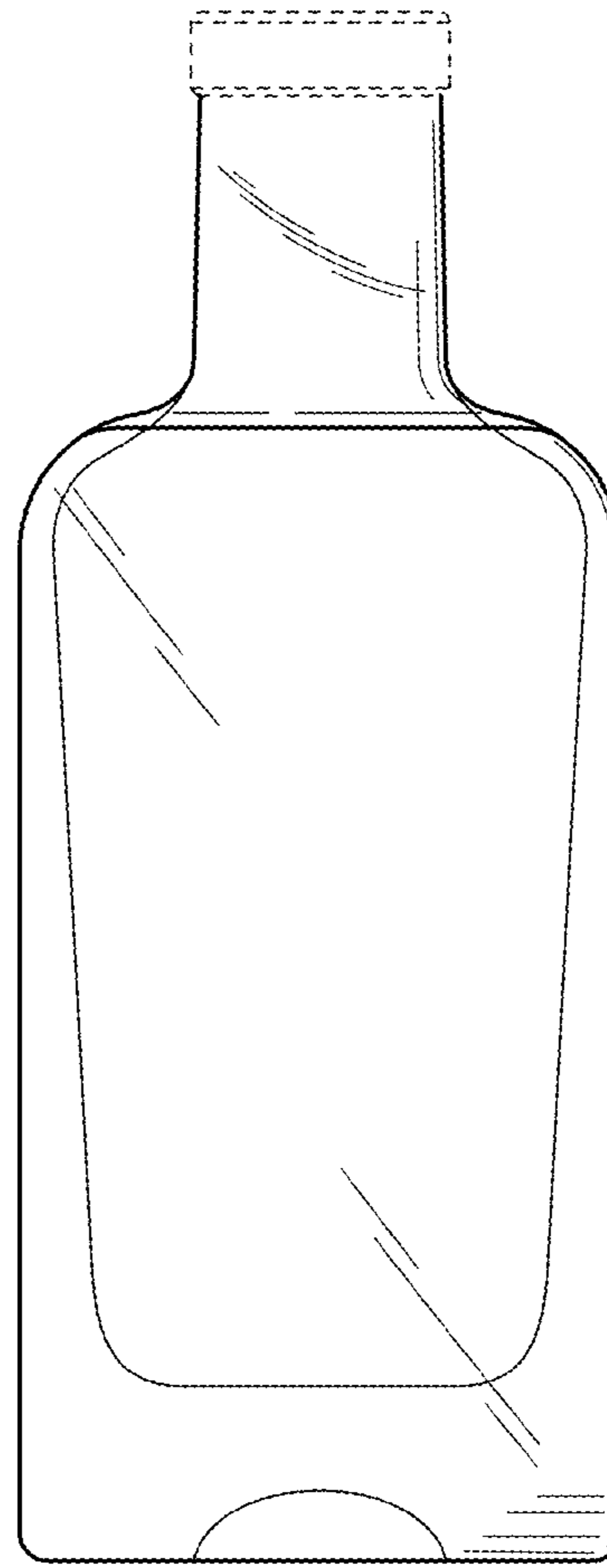


FIG. 2

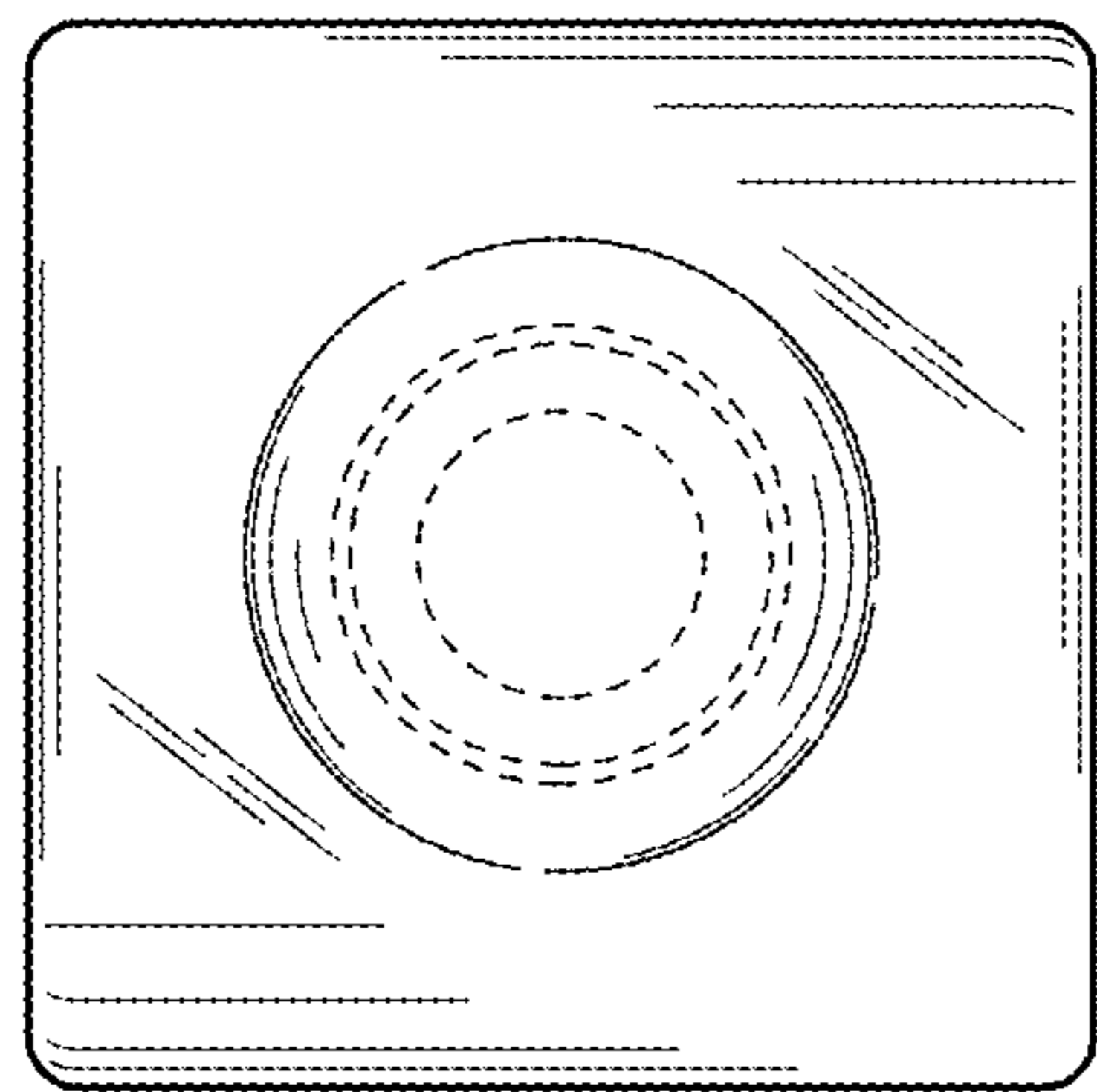


FIG. 3

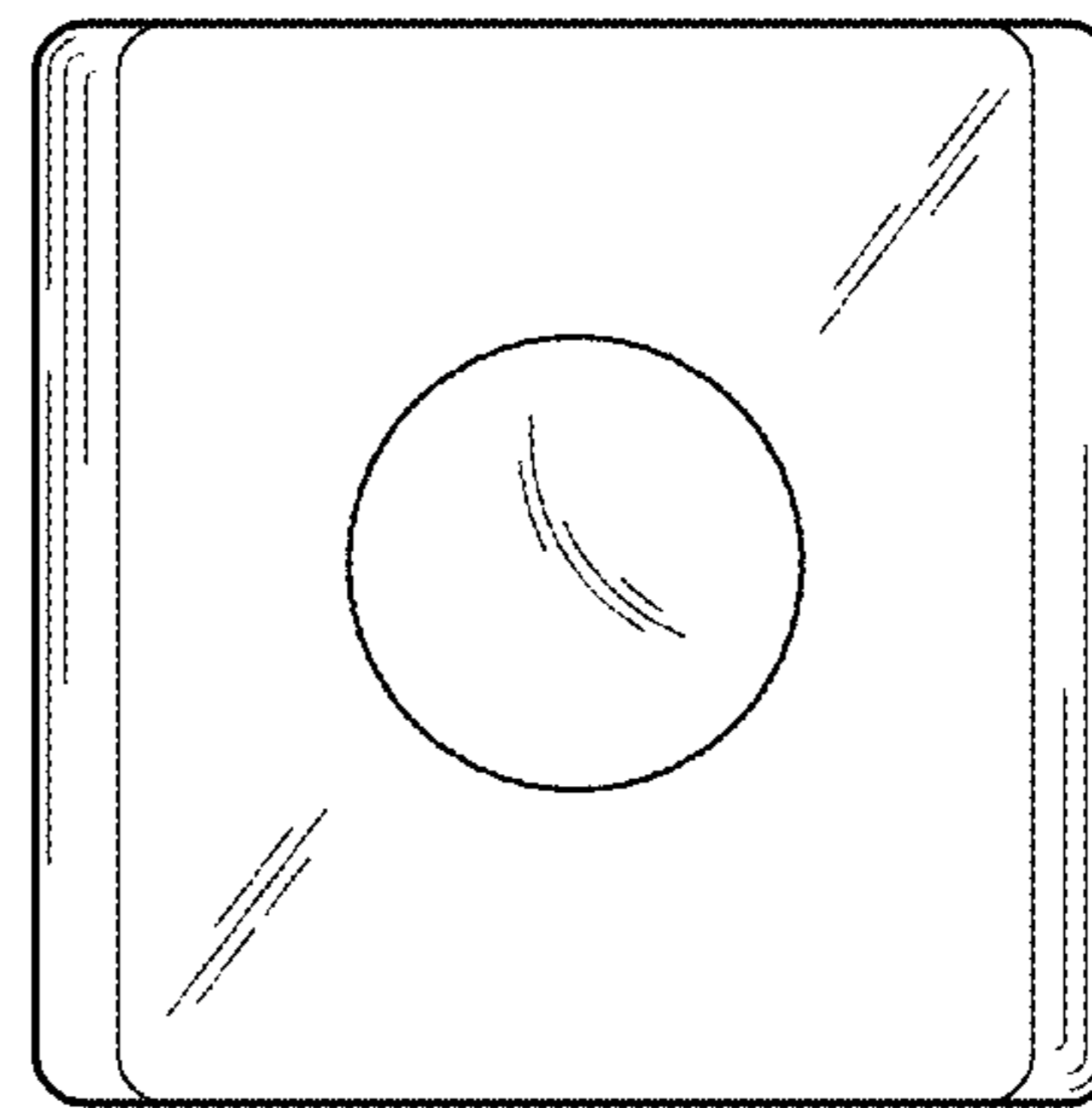


FIG. 4