

US00D790349S

(12) **United States Design Patent**
Loritz

(10) **Patent No.:** **US D790,349 S**

(45) **Date of Patent:** **** Jun. 27, 2017**

- (54) **TAMPER-EVIDENT CONTAINER**
- (71) Applicant: **Ken Loritz**, Irvine, CA (US)
- (72) Inventor: **Ken Loritz**, Irvine, CA (US)
- (**) Term: **15 Years**
- (21) Appl. No.: **29/527,658**
- (22) Filed: **May 20, 2015**

D543,842 S *	6/2007	Jackson	D9/420
D555,490 S *	11/2007	Liu	D9/549
D598,738 S *	8/2009	Supranowicz	D9/420
D621,951 S *	8/2010	Bucholtz	D24/224
D644,739 S *	9/2011	Belfance	D24/224
D679,584 S *	4/2013	Wada	D9/420
D731,244 S *	6/2015	Kohl	D7/510
D747,649 S *	1/2016	Phillips	D9/438
D751,902 S *	3/2016	Sturk	D9/447
D777,028 S *	1/2017	Chen	D9/420

Related U.S. Application Data

- (63) Continuation of application No. 13/906,337, filed on May 30, 2013, now Pat. No. 9,061,812.
- (51) **LOC (10) Cl.** **09-05**
- (52) **U.S. Cl.**
USPC **D9/549**
- (58) **Field of Classification Search**
USPC D7/213, 602; D9/434-436, 438, 440,
D9/443-445, 447, 449, 499, 518, 420,
D9/549; 222/536; 215/228
CPC B65D 50/046
See application file for complete search history.

References Cited

U.S. PATENT DOCUMENTS

D125,152 S *	2/1941	Hahn	206/766
D255,426 S *	6/1980	Kaufman	D32/41
D280,281 S *	8/1985	Conti	D7/602
D282,897 S *	3/1986	Conti	D22/126
D326,019 S *	5/1992	Spangler	401/289
D356,259 S *	3/1995	Hoyt	D8/14
D368,856 S *	4/1996	Peay	D9/447
D445,335 S *	7/2001	Hou	D9/436
6,375,377 B1 *	4/2002	Lowery	B05C 17/10 401/183
6,439,409 B1 *	8/2002	Dressel	B65D 50/046 215/209
D540,169 S *	4/2007	Tanner	D9/420

OTHER PUBLICATIONS

Candy Warehouse. M&M's Minis Candy Tubes: 24-Piece Box. 2016 [earliest online date], [site visited May 9, 2016]. Available from Internet, <URL:http://www.candywarehouse.com/colors/assorted/products/mms-minis-candy-tubes-24-piece-box/>.*

* cited by examiner

Primary Examiner — Robert M Spear
Assistant Examiner — Darcey E Heflin
(74) *Attorney, Agent, or Firm* — Kafantaris Law Offices;
Theo Kafantaris

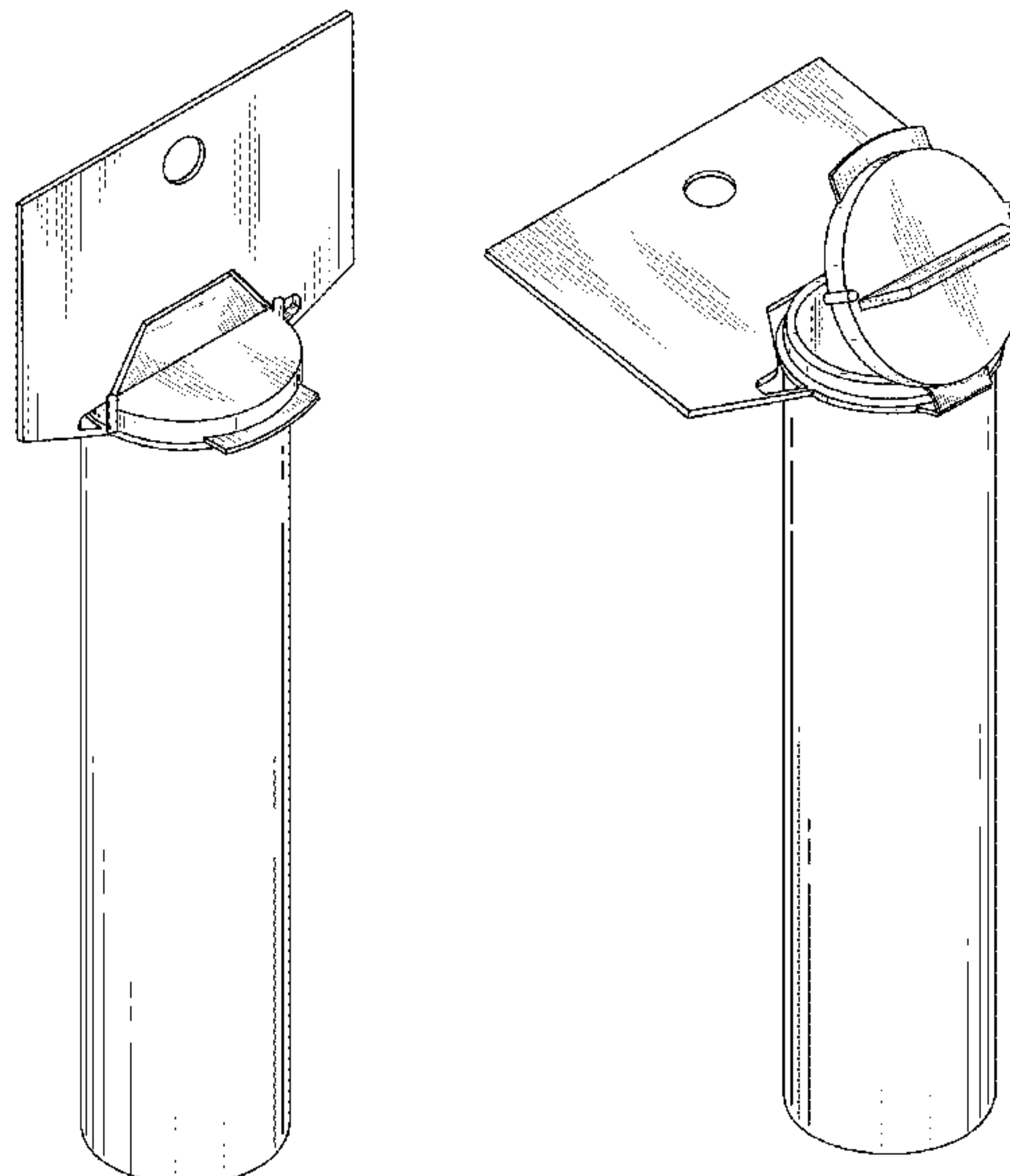
(57) **CLAIM**

The ornamental design for a tamper-evident container, as shown and described.

DESCRIPTION

FIG. 1 is a front perspective view of a tamper-evident container showing my new design;
FIG. 2 is a rear perspective view thereof with the container cap partially opened;
FIG. 3 is a rear plan view thereof;
FIG. 4 is a left side elevational view thereof;
FIG. 5 is a top plan view thereof; and,
FIG. 6 is a bottom plan view thereof.

1 Claim, 5 Drawing Sheets



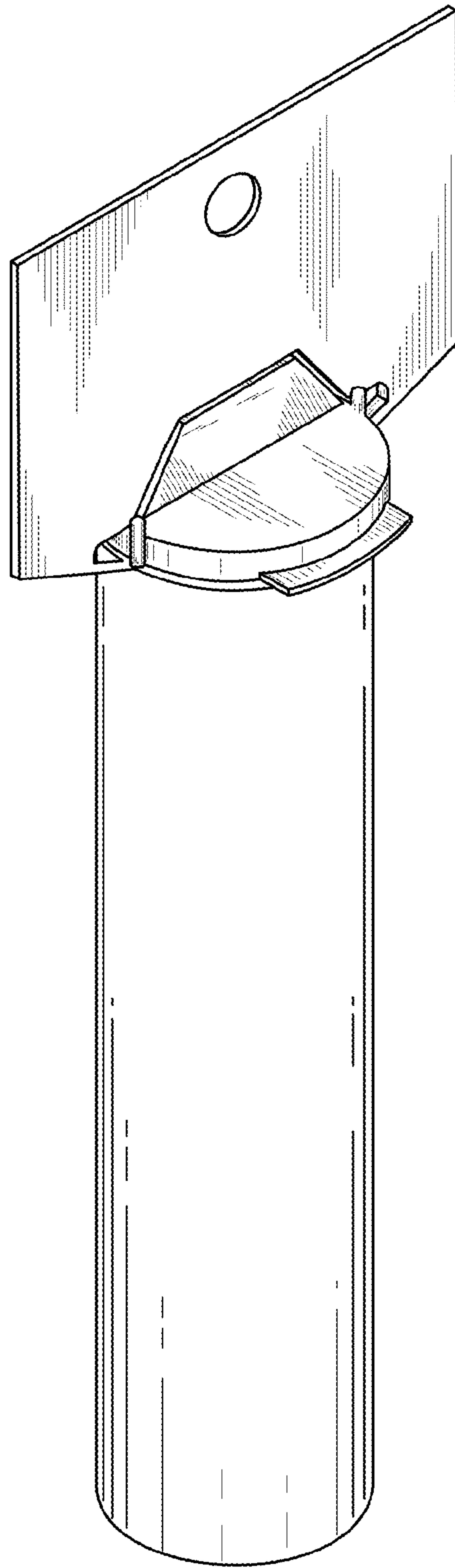


FIG. 1

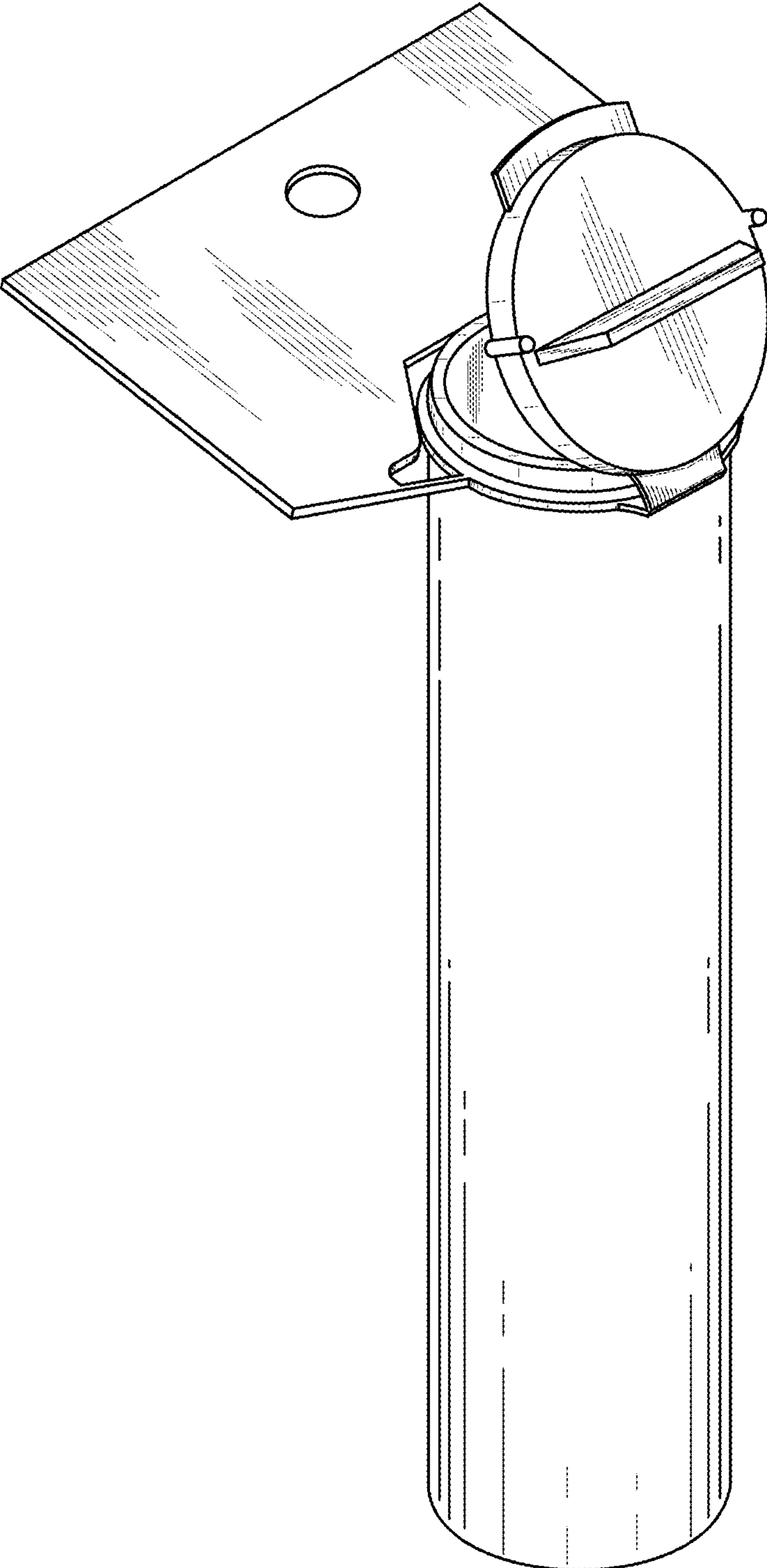


FIG. 2

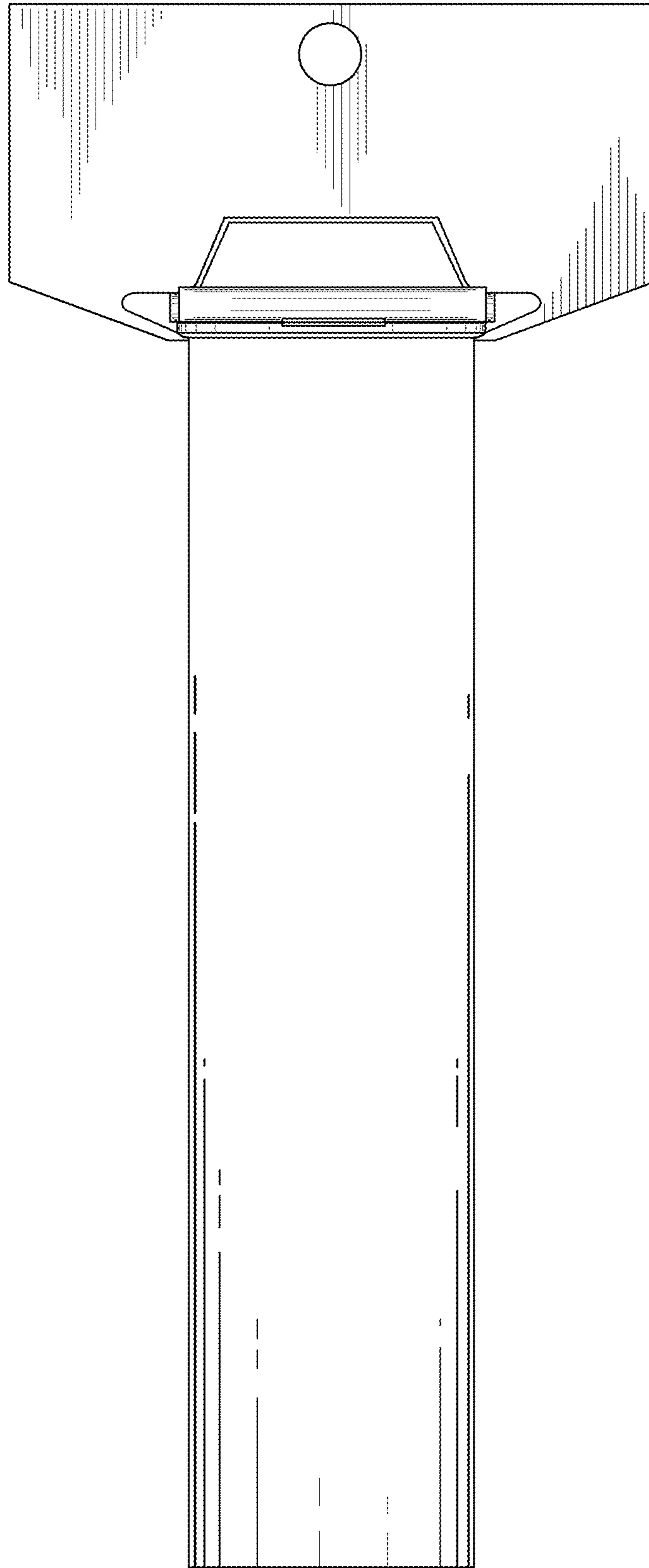


FIG. 3

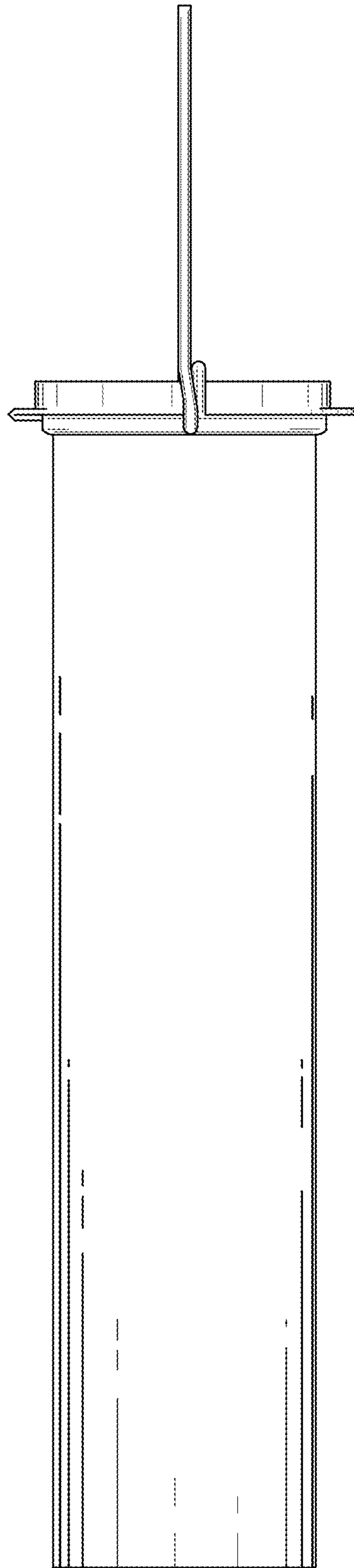


FIG. 4

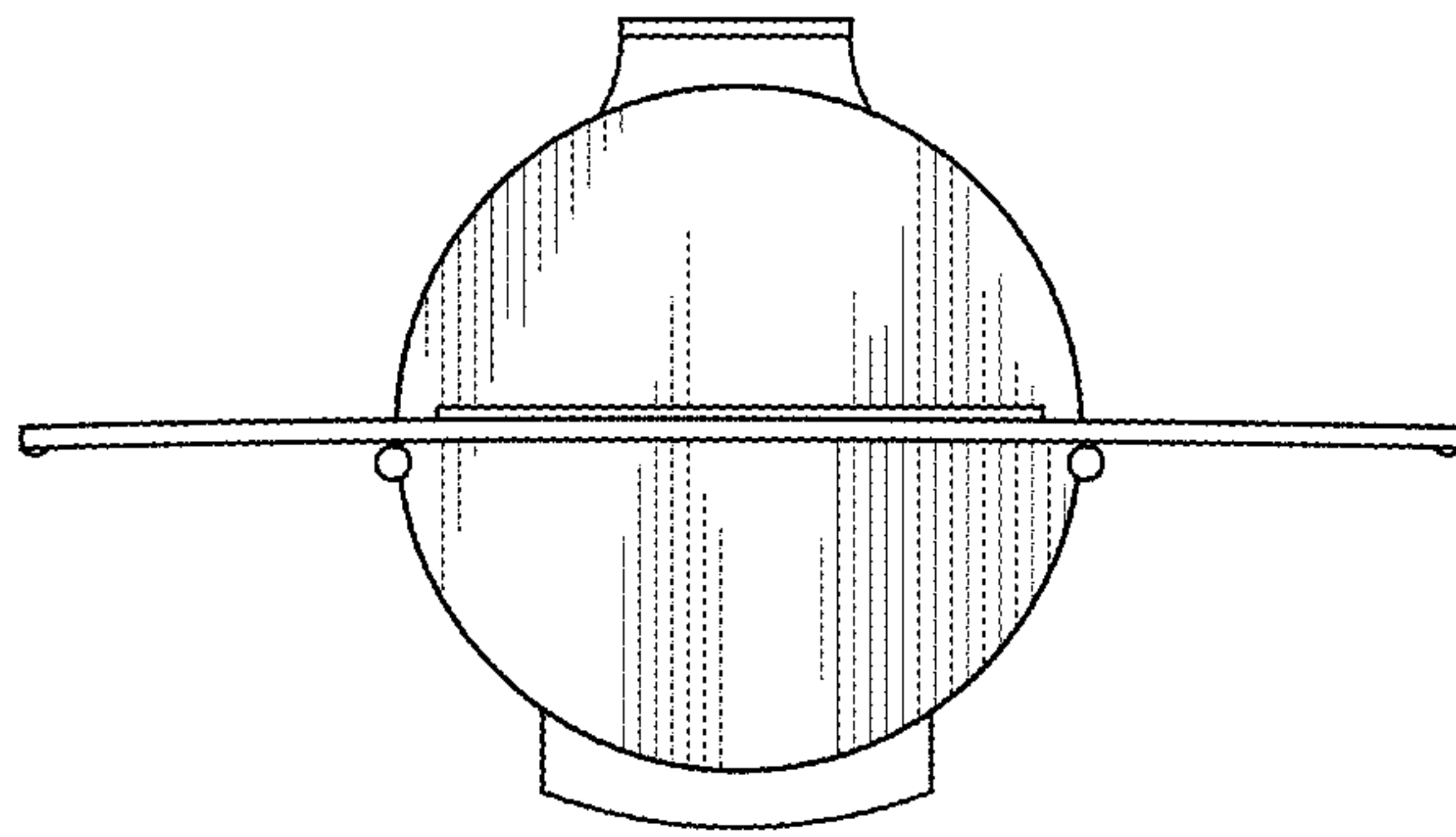


FIG. 5

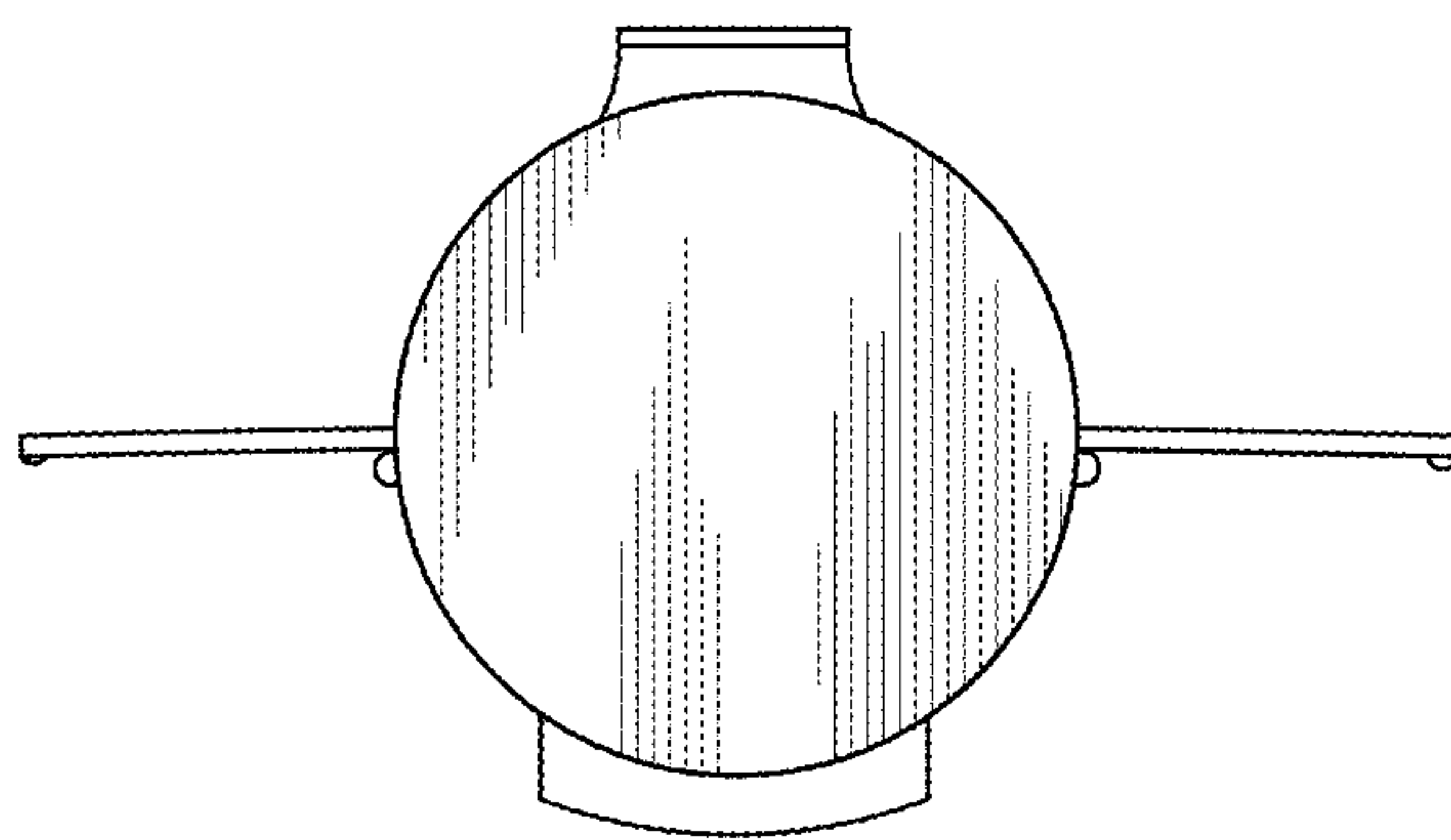


FIG. 6