



US00D790343S

(12) **United States Design Patent**  
**Velmer et al.**

(10) **Patent No.:** **US D790,343 S**  
(45) **Date of Patent:** **\*\* \*Jun. 27, 2017**

- (54) **CLOSURE**
- (71) Applicant: **Mead Johnson Nutrition Company**,  
Glenview, IL (US)
- (72) Inventors: **Marc S. Velmer**, Evansville, IN (US);  
**Thomas C. Horton**, Newburgh, IN  
(US); **Patrick E. McCallister**,  
Newburgh, IN (US)

5,353,946 A	10/1994	Behrend	
D372,195 S	7/1996	Gerhart et al.	
5,706,974 A	1/1998	Murdick et al.	
D394,611 S	5/1998	La Gro	
D396,011 S	7/1998	Henriksson	
D403,586 S *	1/1999	Bakic .....	D9/454
D409,484 S	5/1999	Tasker	
D451,021 S *	11/2001	Berge .....	D9/445

(Continued)

- (73) Assignee: **Mead Johnson Nutrition Company**,  
Glenview, IL (US)

**FOREIGN PATENT DOCUMENTS**

JP	D1504647	8/2014
TW	D147145	5/2012

- (\*) Notice: This patent is subject to a terminal disclaimer.

*Primary Examiner* — Robert M Spear  
*Assistant Examiner* — Marissa J Cash

- (\*\*) Term: **14 Years**

(74) *Attorney, Agent, or Firm* — Patterson Intellectual  
Property Law, P.C.; James R. Cartiglia; Timothy L.  
Capria

- (21) Appl. No.: **29/514,623**

(57) **CLAIM**

- (22) Filed: **Jan. 14, 2015**

What is claimed is the ornamental design for a closure, as  
shown and described.

- (51) **LOC (10) Cl.** ..... **09-07**

**DESCRIPTION**

- (52) **U.S. Cl.**  
USPC ..... **D9/449**

- (58) **Field of Classification Search**  
USPC ..... D7/300, 300.1, 300.2, 303, 316, 317,  
D7/396.2, 397, 398, 509, 510, 511, 392.1;  
D9/738, 763, 778, 434, 435, 436, 439,  
D9/445, 447, 448, 449, 450, 452, 453,  
D9/454, 438; D28/82  
See application file for complete search history.

FIG. 1 is a top perspective view of the closure of FIG. 1. The  
broken lines are shown to define a boundary around a center  
portion of an aperture of the closure. The area within the  
broken lines is not part of the claimed design.

FIG. 2 is a top plan view of the closure of FIG. 1.  
FIG. 3 is a left side view of the closure of FIG. 1. The right  
side view of the closure of FIG. 1. is the mirror image of  
FIG. 3, not shown.

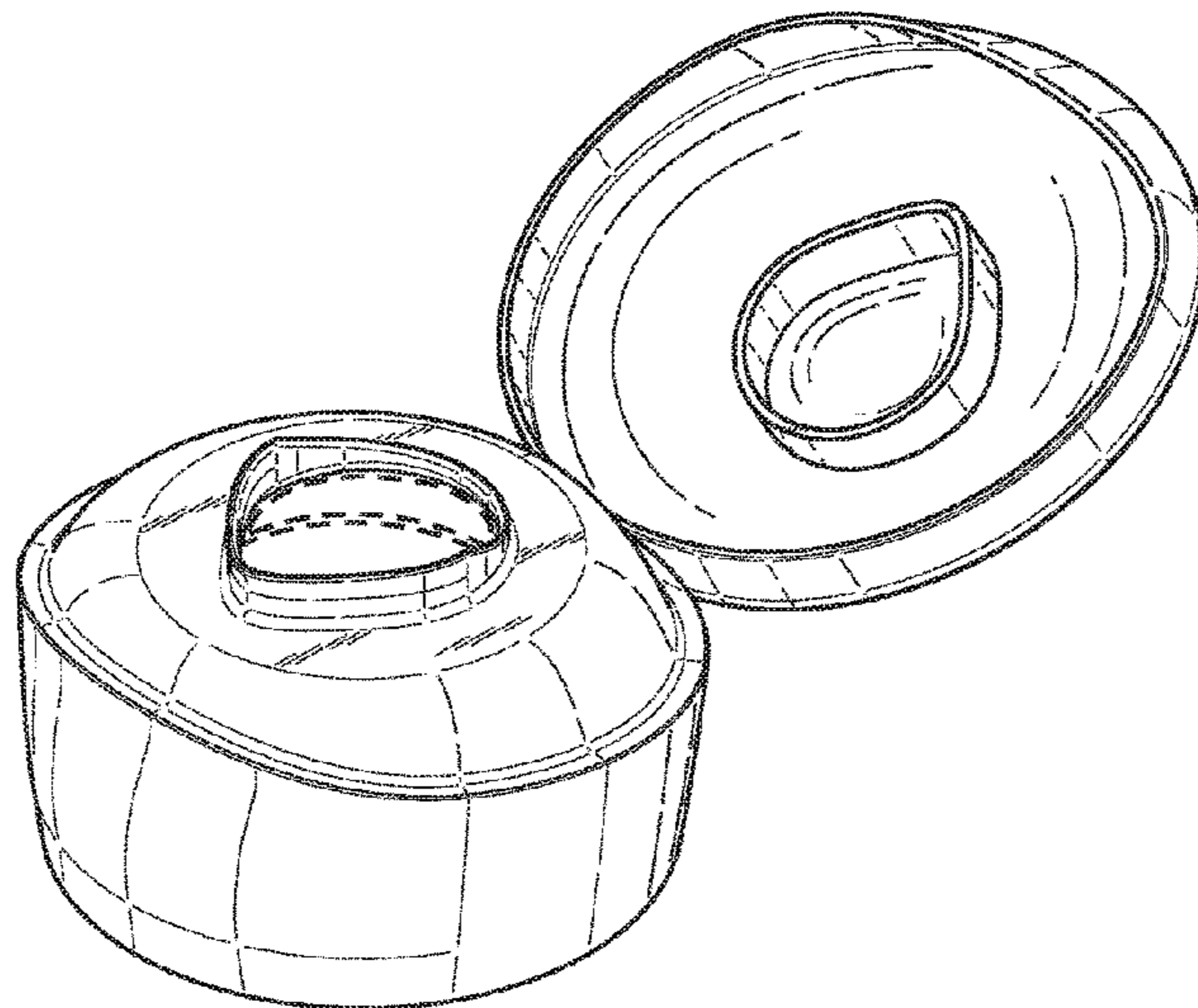
FIG. 4 is a front elevation view of the closure of FIG. 1.  
FIG. 5 is a rear elevation view of the closure of FIG. 1; and,  
FIG. 6 is a bottom plan view of the closure of FIG. 1. The  
circular broken lines are shown to define a boundary around  
a bottom center portion of the closure and a boundary around  
an aperture of the closure. The area within the broken lines  
is not part of the claimed design.

- (56) **References Cited**

**U.S. PATENT DOCUMENTS**

D141,686 S	6/1945	Nagle	
3,013,436 A	12/1961	Earl	
D245,225 S	8/1977	Lyons	
D274,777 S	7/1984	Wolff	
D318,015 S	7/1991	DeCoster et al.	
D319,982 S	9/1991	Matthews	
D349,650 S *	8/1994	Lonczak .....	D9/449

**1 Claim, 4 Drawing Sheets**



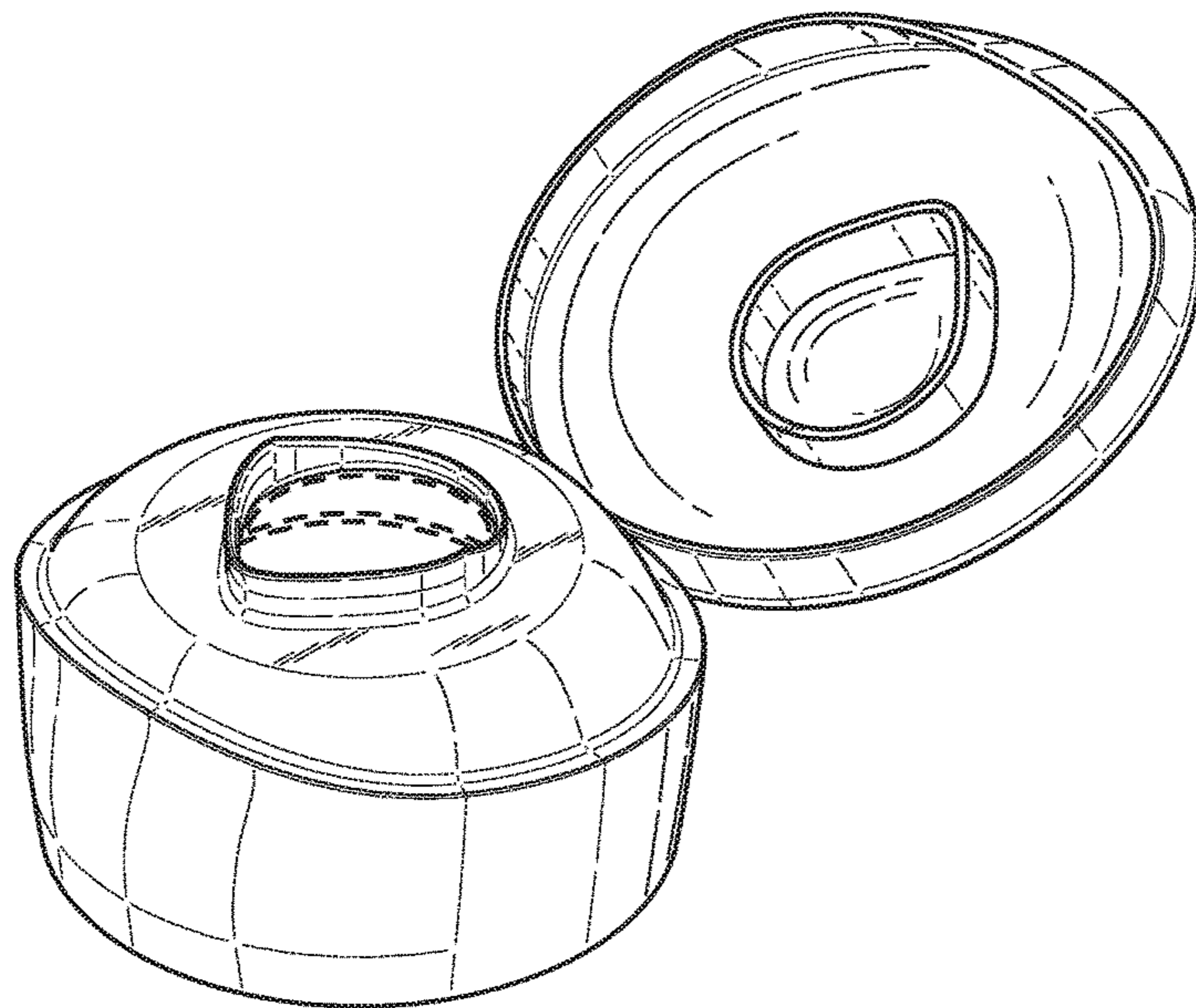
(56)

References Cited

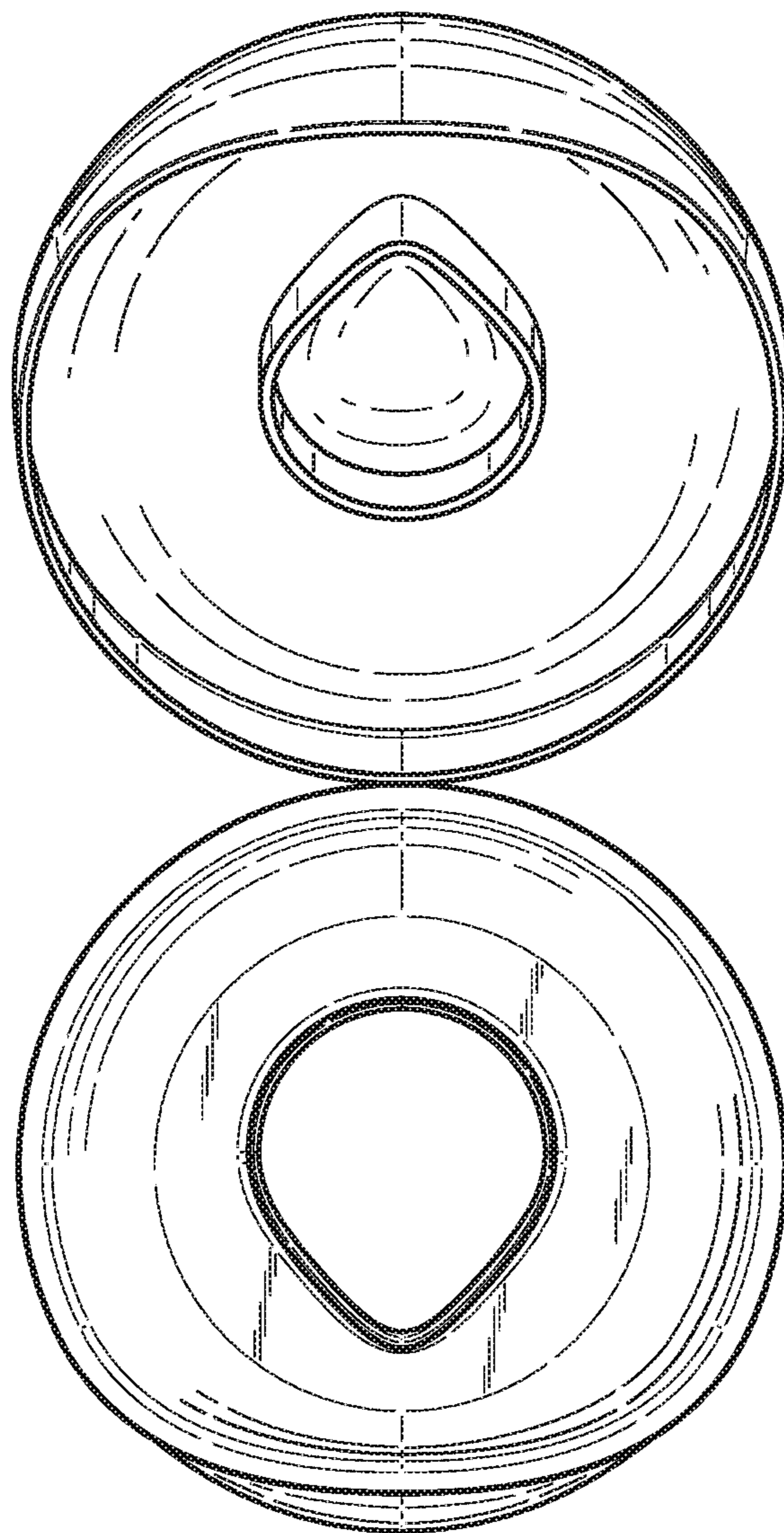
U.S. PATENT DOCUMENTS

D466,015 S *	11/2002	Faucon .....	D9/435	D646,592 S	10/2011	Hood et al.	
D473,140 S	4/2003	Gilliam et al.		D646,966 S	10/2011	Gill et al.	
D483,988 S	12/2003	Kipperman et al.		8,042,704 B2	10/2011	Borowski et al.	
6,761,279 B1	7/2004	Martin et al.		D657,675 S *	4/2012	Averill .....	D9/445
D504,318 S	4/2005	Lane et al.		D661,583 S *	6/2012	Santarelli .....	D9/449
6,889,866 B2	5/2005	Gilliam et al.		D661,588 S	6/2012	Irani	
D517,916 S	3/2006	Satt		D667,300 S *	9/2012	Davis .....	D9/435
D525,136 S *	7/2006	Bakic .....	D28/82	D671,000 S	11/2012	O'Neill et al.	
D526,200 S *	8/2006	Bakic .....	D9/521	8,308,008 B2	11/2012	Perry et al.	
D526,201 S *	8/2006	Bakic .....	D9/522	8,376,179 B2	2/2013	Horton et al.	
D530,204 S	10/2006	Zaidman		D679,184 S *	4/2013	Fedewa .....	D9/449
7,175,041 B2	2/2007	Ekkert		D680,424 S	4/2013	Maclean et al.	
D543,800 S	6/2007	Kwan		D680,434 S *	4/2013	Fracasso .....	D9/447
D547,184 S *	7/2007	Kim .....	D9/447	D680,867 S	4/2013	Kopulos et al.	
D566,558 S *	4/2008	Bakic .....	D9/503	8,469,223 B2	6/2013	Perry et al.	
D567,089 S	4/2008	Glydon et al.		D688,554 S	8/2013	Fracasso	
D568,155 S	5/2008	Glydon et al.		D690,200 S	9/2013	Arand et al.	
D568,739 S	5/2008	Darr		8,567,629 B2	10/2013	Vandame et al.	
D576,035 S	9/2008	Perry et al.		8,590,732 B2	11/2013	Vandamme	
D582,772 S *	12/2008	Bakic .....	D9/449	D695,613 S *	12/2013	Miranda De Araujo .....	D9/449
D588,915 S *	3/2009	Lohrman .....	D9/449	D709,761 S *	7/2014	Sanders .....	D9/445
D588,947 S	3/2009	Curtin		D711,230 S *	8/2014	den Boer .....	D9/449
D595,131 S	6/2009	Dibnah et al.		D713,723 S	9/2014	den Boer	
7,562,786 B2	7/2009	Morrison		D713,724 S *	9/2014	den Boer .....	D9/449
D598,781 S	8/2009	Schwartz et al.		D725,968 S *	4/2015	George .....	D7/511
D607,726 S *	1/2010	Wisniewski .....	D9/449	D730,729 S *	6/2015	George .....	D9/435
D608,193 S	1/2010	Sanfilippo et al.		D743,790 S *	11/2015	Hussain .....	D9/447
D610,413 S	2/2010	Kahan et al.		2006/0191933 A1	8/2006	Hicks et al.	
7,694,845 B2	4/2010	Tilton		2008/0041861 A1	2/2008	Crawford et al.	
D624,406 S	9/2010	Cronican et al.		2010/0193522 A1	8/2010	Wisniewski et al.	
D626,412 S	11/2010	Lohrman et al.		2010/0236966 A1	9/2010	Luttik et al.	
D628,068 S	11/2010	Gonzalez et al.		2010/0308055 A1	12/2010	Sams	
D628,890 S *	12/2010	Groubert .....	D9/449	2012/0000925 A1	1/2012	Dols et al.	
D637,911 S	5/2011	Macaulay et al.		2012/0061413 A1	3/2012	Dols et al.	
D640,556 S	6/2011	Bragg et al.		2012/0205375 A1	8/2012	Hudson et al.	
D641,257 S *	7/2011	Thiebaut .....	D9/454	2012/0205376 A1	8/2012	Yang et al.	
7,971,747 B2	7/2011	Blomdahl et al.		2012/0279964 A1	11/2012	McGeough	
D644,102 S	8/2011	Kopulos et al.		2013/0001227 A1	1/2013	Groubert	
8,011,566 B2	9/2011	Robertson et al.		2013/0081364 A1	4/2013	Piscopo	
				2013/0160265 A1	6/2013	Pantelleria	

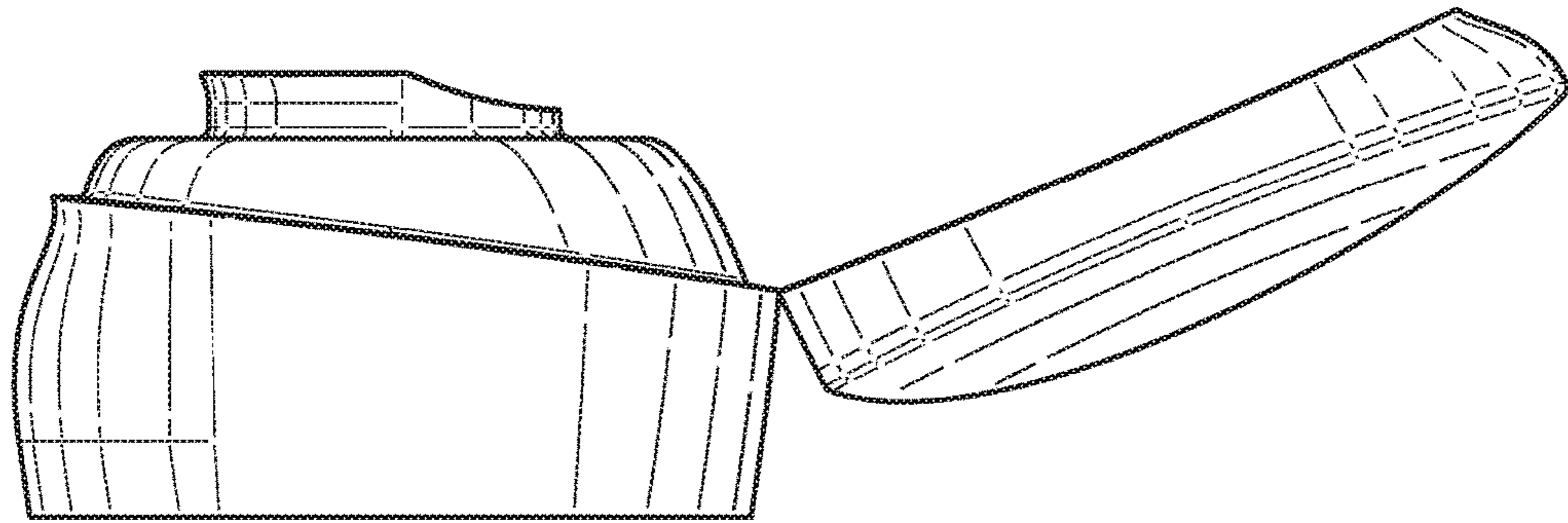
\* cited by examiner



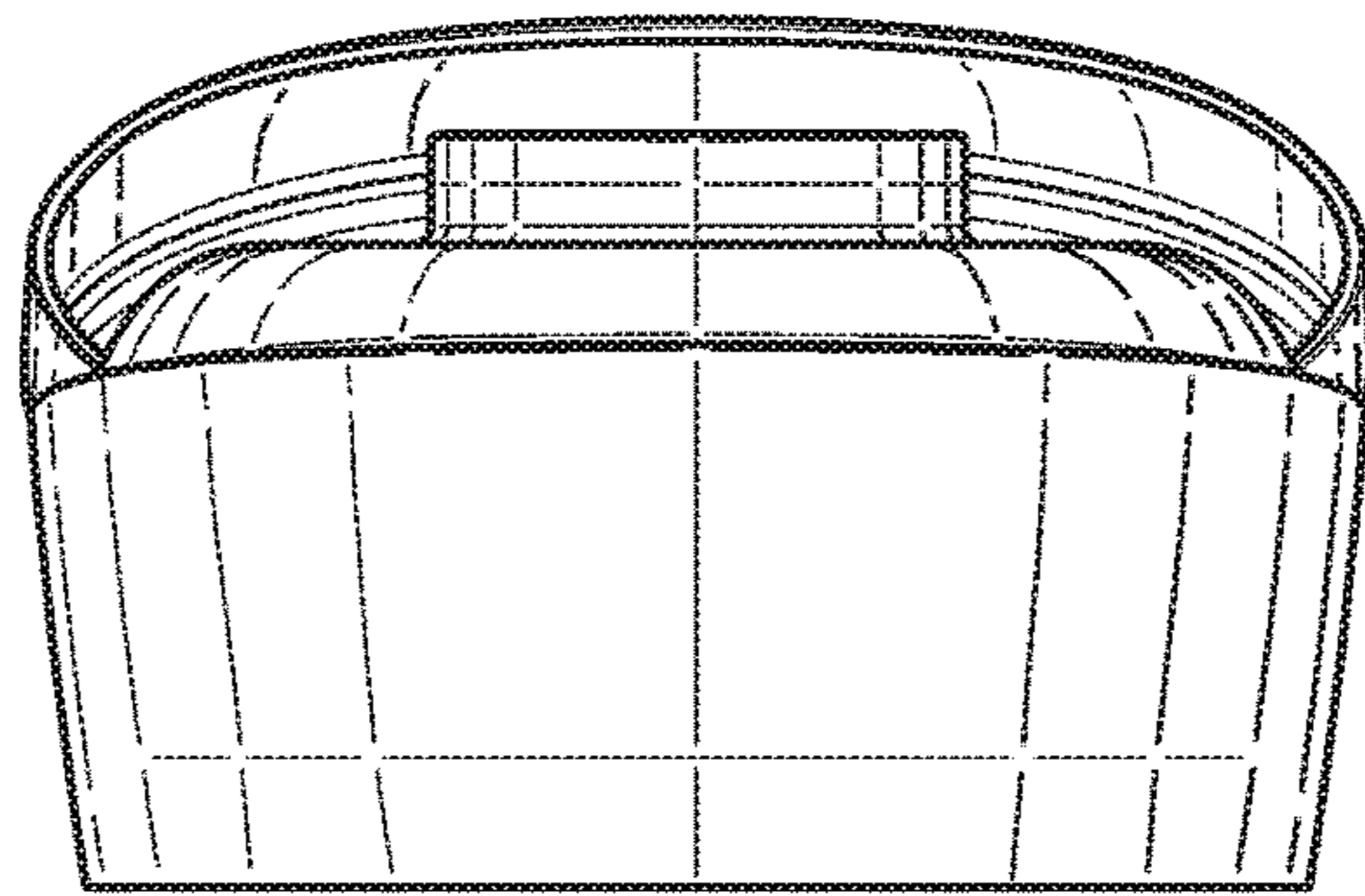
*FIG. 1*



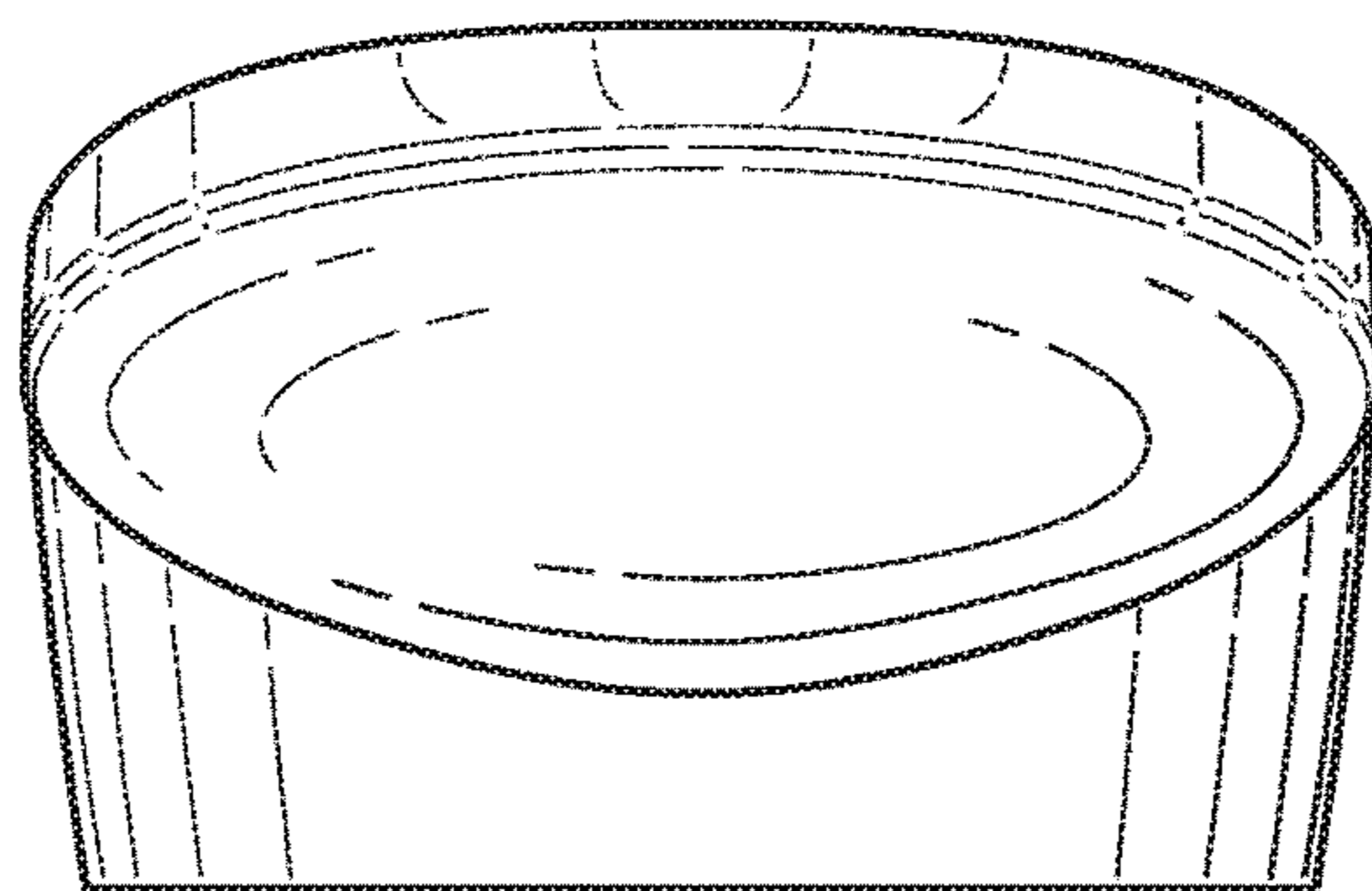
*FIG. 2*



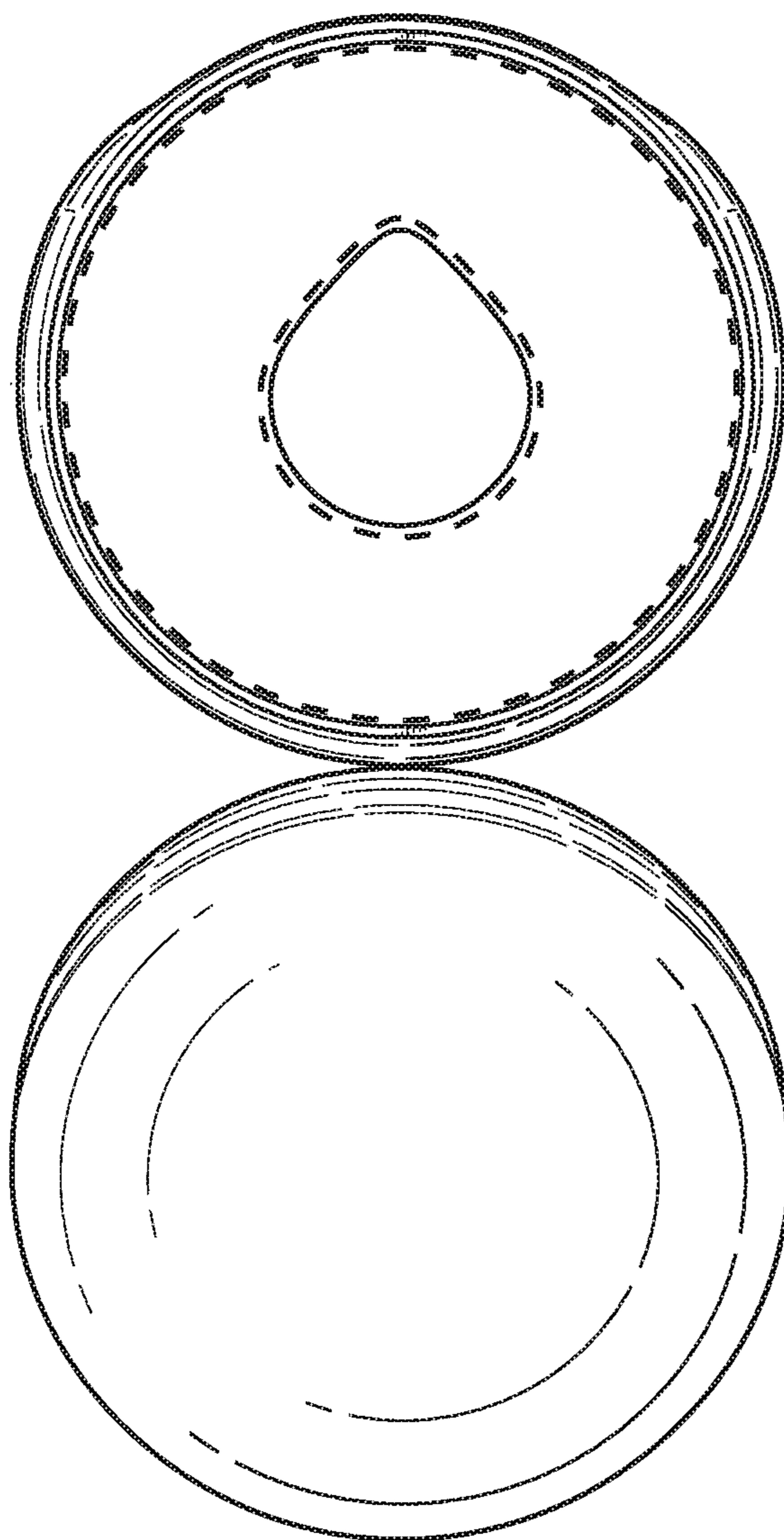
*FIG. 3*



*FIG. 4*



*FIG. 5*



*FIG. 6*